



US00D745936S

(12) **United States Design Patent**
Coulter

(10) **Patent No.:** **US D745,936 S**

(45) **Date of Patent:** **** Dec. 22, 2015**

(54) **PNEUMATIC GUN BOLT**

(71) Applicant: **Todd F. Coulter**, Germantown, TN (US)

(72) Inventor: **Todd F. Coulter**, Germantown, TN (US)

(**) Term: **14 Years**

(21) Appl. No.: **29/468,479**

(22) Filed: **Sep. 30, 2013**

(51) **LOC (10) Cl.** **21-01**

(52) **U.S. Cl.**
USPC **D21/573**

(58) **Field of Classification Search**
USPC D21/567, 570, 572, 573, 574, 575;
D22/100, 101, 103, 108, 109; 124/25,
124/41.1, 45, 49, 51.1, 55, 56, 69, 70-74,
124/76, 79; 42/15, 16, 69.02, 69.03, 142;
89/1.42

CPC F41B 11/00; F41B 11/32; F41B 11/34;
F41B 11/721; F41B 11/722; F41B 11/723;
F41B 11/724; F41B 11/70; F41B 11/73;
F41B 11/62; F41B 11/57
See application file for complete search history.

(56) **References Cited**

U.S. PATENT DOCUMENTS

6,213,112	B1 *	4/2001	Squire	124/74
D478,146	S *	8/2003	Wygant	D22/108
6,715,480	B2 *	4/2004	Dziob	124/73
7,077,117	B1 *	7/2006	Chu	124/32
D571,415	S *	6/2008	Jones	D21/573

7,591,262	B2 *	9/2009	Jones et al.	124/77
7,870,852	B2 *	1/2011	Halmone	124/77
8,113,189	B2 *	2/2012	Dobbins et al.	124/71
D679,342	S *	4/2013	Coulter	D21/573
D699,303	S *	2/2014	Coulter	D21/573
D709,140	S *	7/2014	Coulter	D21/573
D715,378	S *	10/2014	Coulter	D21/573
2002/0170551	A1 *	11/2002	Kotsiopoulos et al.	124/54
2003/0005918	A1 *	1/2003	Jones	124/70
2004/0255923	A1 *	12/2004	Carnall et al.	124/73
2005/0115551	A1 *	6/2005	Carnall et al.	124/71

* cited by examiner

Primary Examiner — Cynthia M Chin

(74) *Attorney, Agent, or Firm* — QuickPatents; Kevin Prince

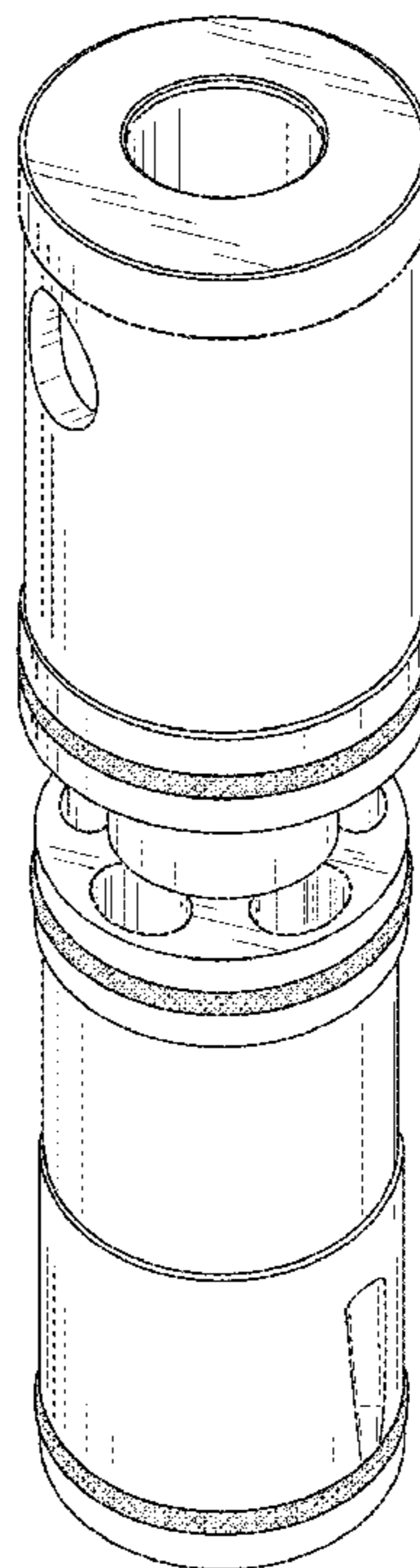
(57) **CLAIM**

I claim the ornamental design for a pneumatic gun bolt, as shown and described.

DESCRIPTION

FIG. 1 is a rear perspective view of a pneumatic gun bolt, showing my new design;
FIG. 2 is a top plan view thereof, the bottom plan view being a mirror image thereof;
FIG. 3 is a left-side elevational view thereof, the right-side elevational view being a mirror image thereof;
FIG. 4 is a front elevational view thereof; and,
FIG. 5 is a rear elevational view thereof.
The broken lines in FIGS. 4 & 5 depict portions of the pneumatic gun bolt that form no part of the claimed design.

1 Claim, 2 Drawing Sheets



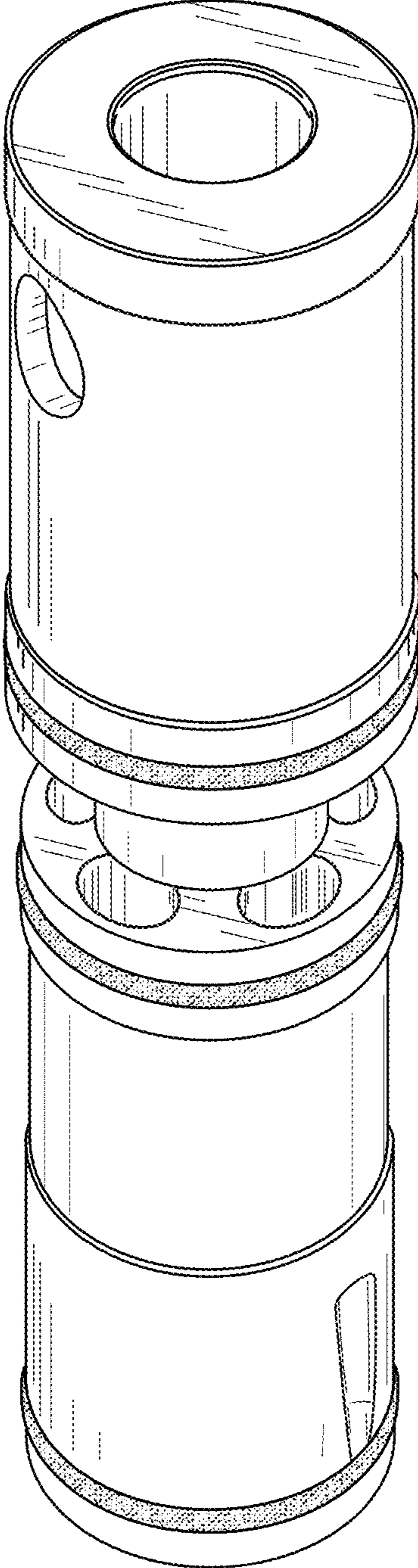


FIG. 1

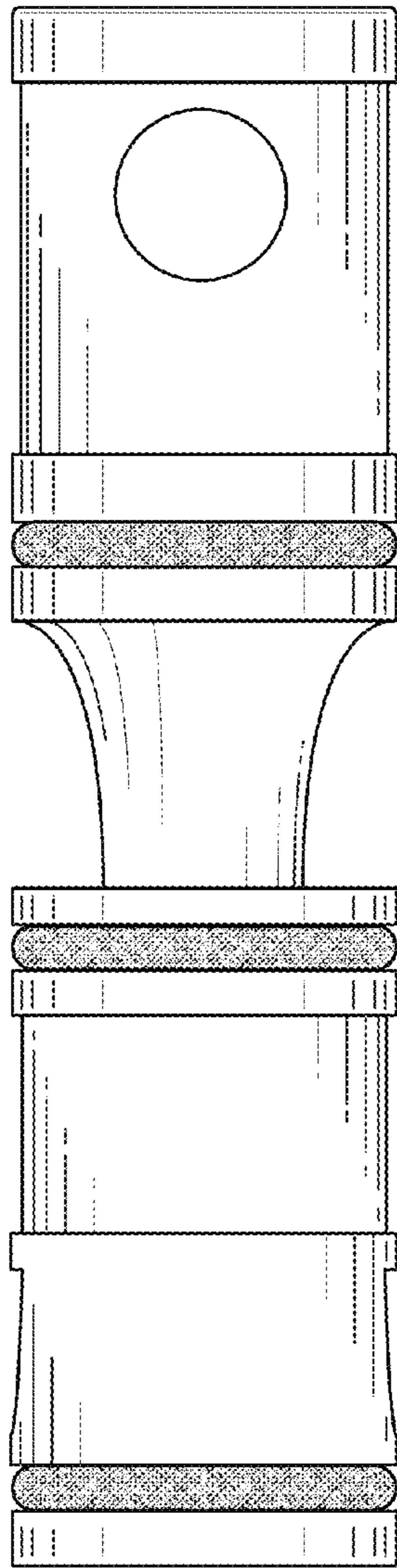


FIG. 2

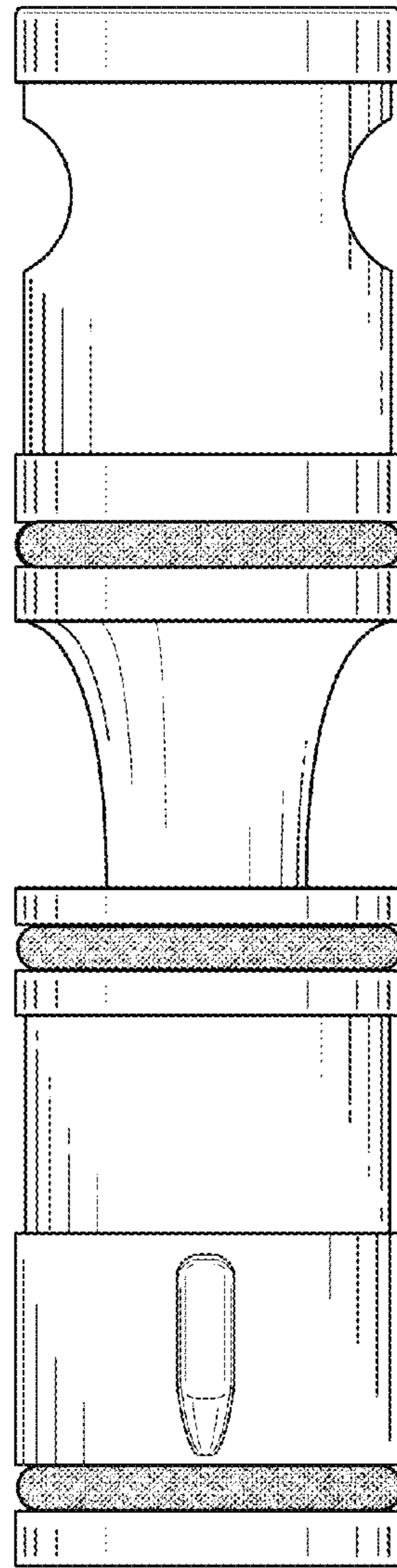


FIG. 3

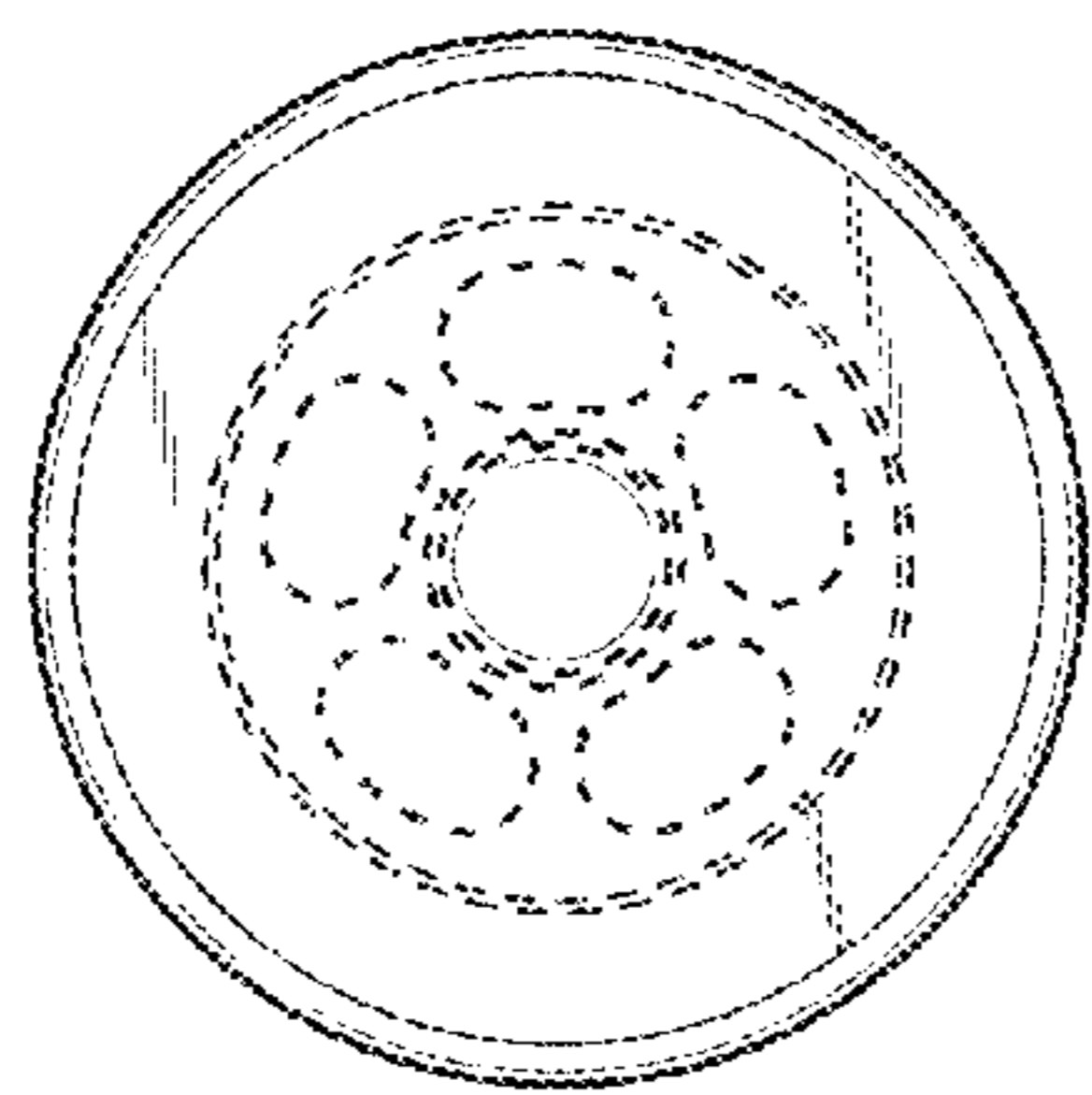


FIG. 4

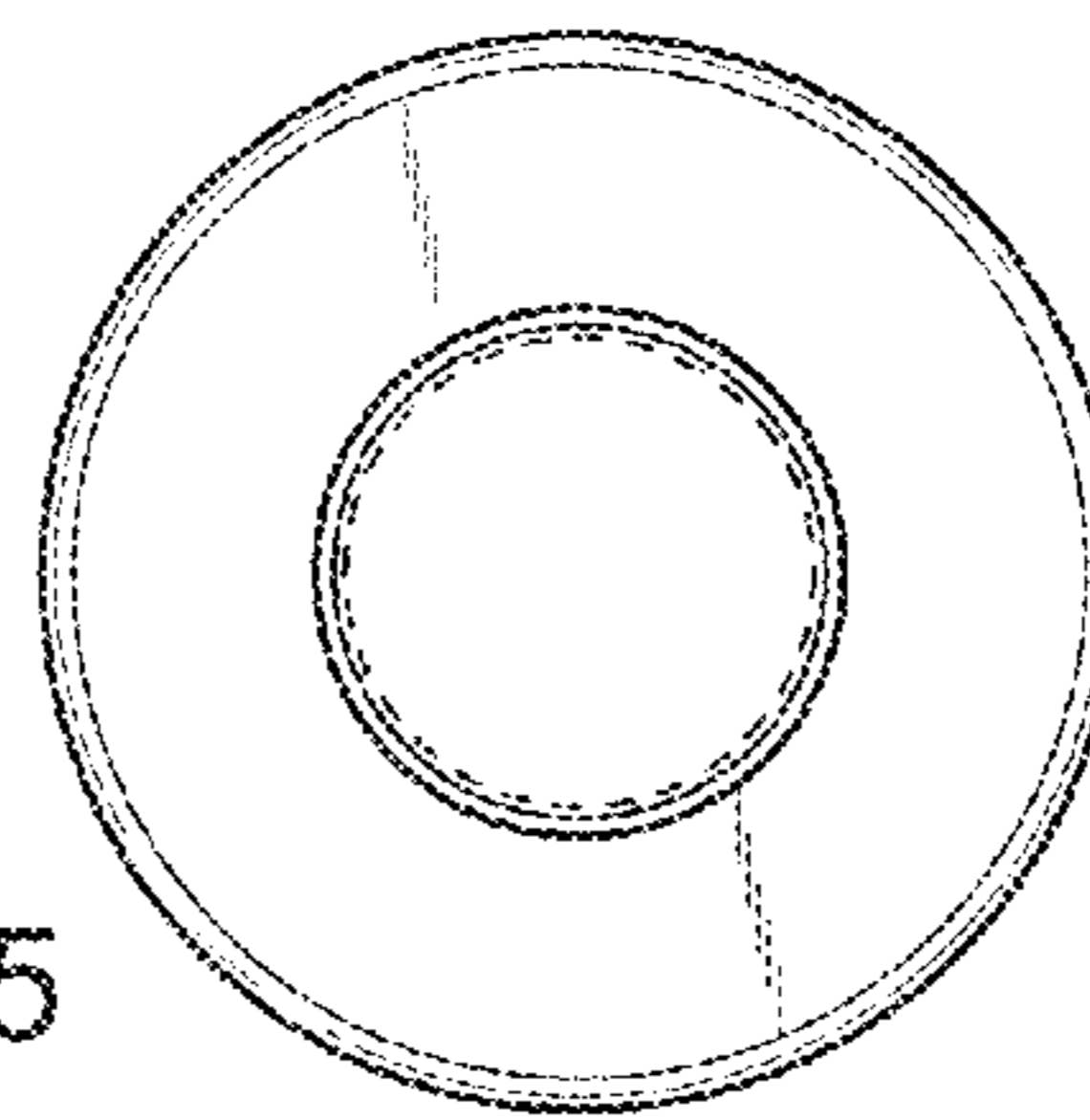


FIG. 5