



US00D745935S

(12) **United States Design Patent**  
**Kim**

(10) **Patent No.:** **US D745,935 S**

(45) **Date of Patent:** **\*\* Dec. 22, 2015**

(54) **FABRICATED MAGNETIC TOY**

(56) **References Cited**

(71) Applicant: **Yong Chul Kim**, Seoul (KR)

U.S. PATENT DOCUMENTS

(72) Inventor: **Yong Chul Kim**, Seoul (KR)

D103,876 S	*	3/1937	Pickin .....	D21/386
D235,157 S	*	5/1975	Echterling .....	D21/498
D253,121 S	*	10/1979	Hida .....	D21/498
D258,743 S	*	3/1981	Ruga .....	D21/484
D260,662 S	*	9/1981	Hida .....	D21/498
D281,182 S	*	10/1985	Kato et al. ....	D21/488
D283,634 S	*	4/1986	Kato et al. ....	D21/498
D283,635 S	*	4/1986	Kato et al. ....	D21/499
D390,293 S	*	2/1998	Pardorf et al. ....	D21/468
D437,010 S	*	1/2001	Meys .....	D21/498
D563,486 S	*	3/2008	Slater et al. ....	D21/498
D604,370 S	*	11/2009	Hume .....	D21/478
D650,874 S	*	12/2011	Williams .....	D21/713

(\*\*) Term: **14 Years**

(21) Appl. No.: **29/495,945**

(22) Filed: **Jul. 7, 2014**

(30) **Foreign Application Priority Data**

Jan. 14, 2014 (KR) ..... 30-2014-0002343

\* cited by examiner

(51) **LOC (10) Cl.** ..... **21-01**

*Primary Examiner* — Cynthia M Chin

(52) **U.S. Cl.**

(74) *Attorney, Agent, or Firm* — Justin H. Kim; Maxon IP LLC

USPC ..... **D21/498**

(58) **Field of Classification Search**

(57) **CLAIM**

The ornamental design for a fabricated magnetic toy, as shown and described.

USPC ..... D21/333, 373, 386, 389, 404, 468, 470,

D21/471, 475, 484–505; 446/69, 85,

446/102–128; 434/167, 208, 259, 403;

273/153, 156, 160; D3/304, 314;

D24/101; D9/640; 220/23.4; 40/720

CPC ..... A63H 33/00; A63H 33/04; A63H 33/06;

A63H 33/062; A63H 33/08; A63H 33/084;

A63H 33/088; A63H 33/108; A63H 33/12;

A63F 9/12; A63F 9/1224

**DESCRIPTION**

FIG. 1 is a perspective view of a fabricated magnetic toy;

FIG. 2 is a front view thereof;

FIG. 3 is a rear view thereof;

FIG. 4 is a left side view thereof;

FIG. 5 is a right side view thereof;

FIG. 6 is a top view thereof; and,

FIG. 7 is a bottom view thereof.

See application file for complete search history.

**1 Claim, 4 Drawing Sheets**

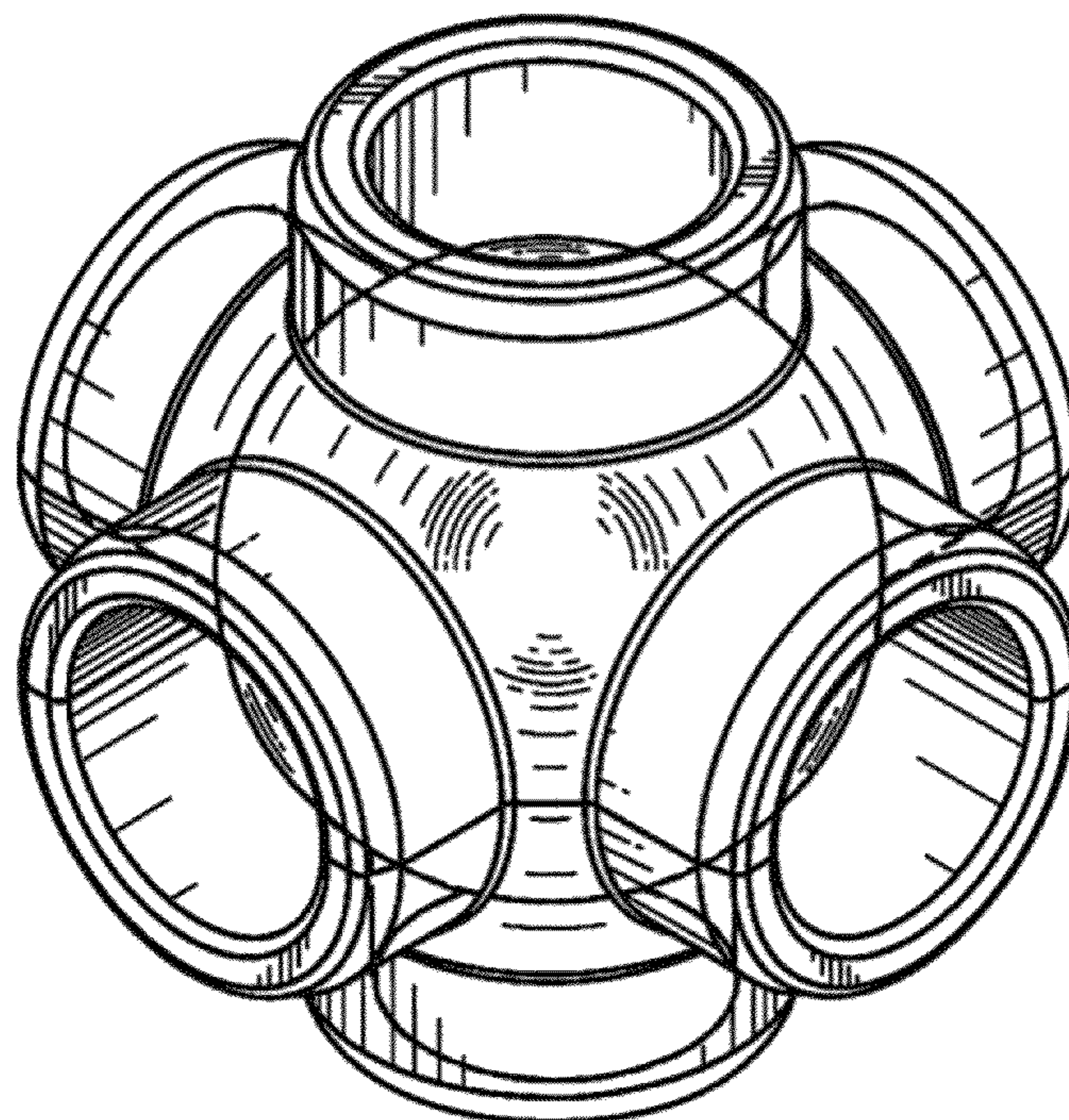




FIG. 1

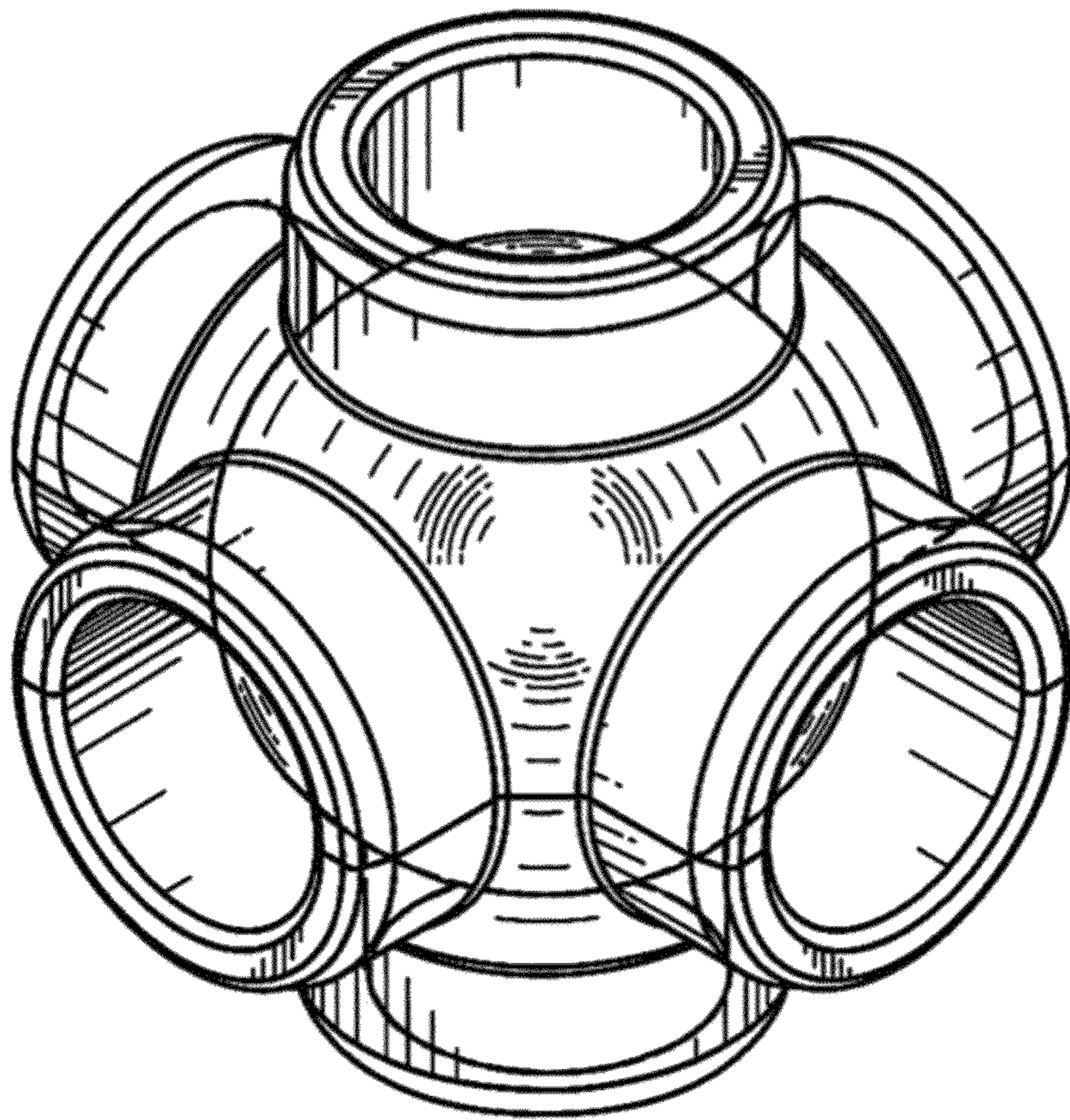




FIG. 2

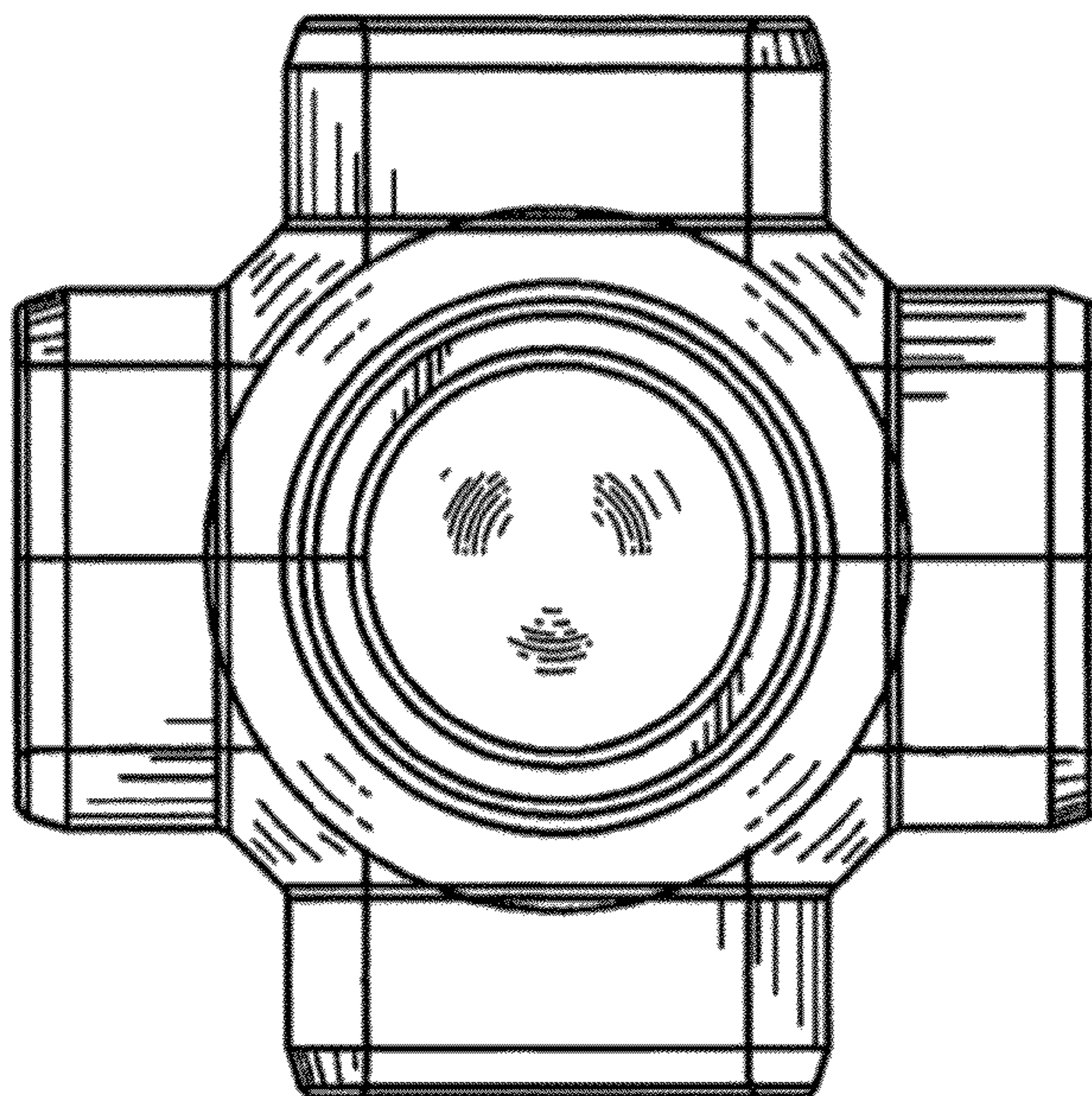


FIG. 3

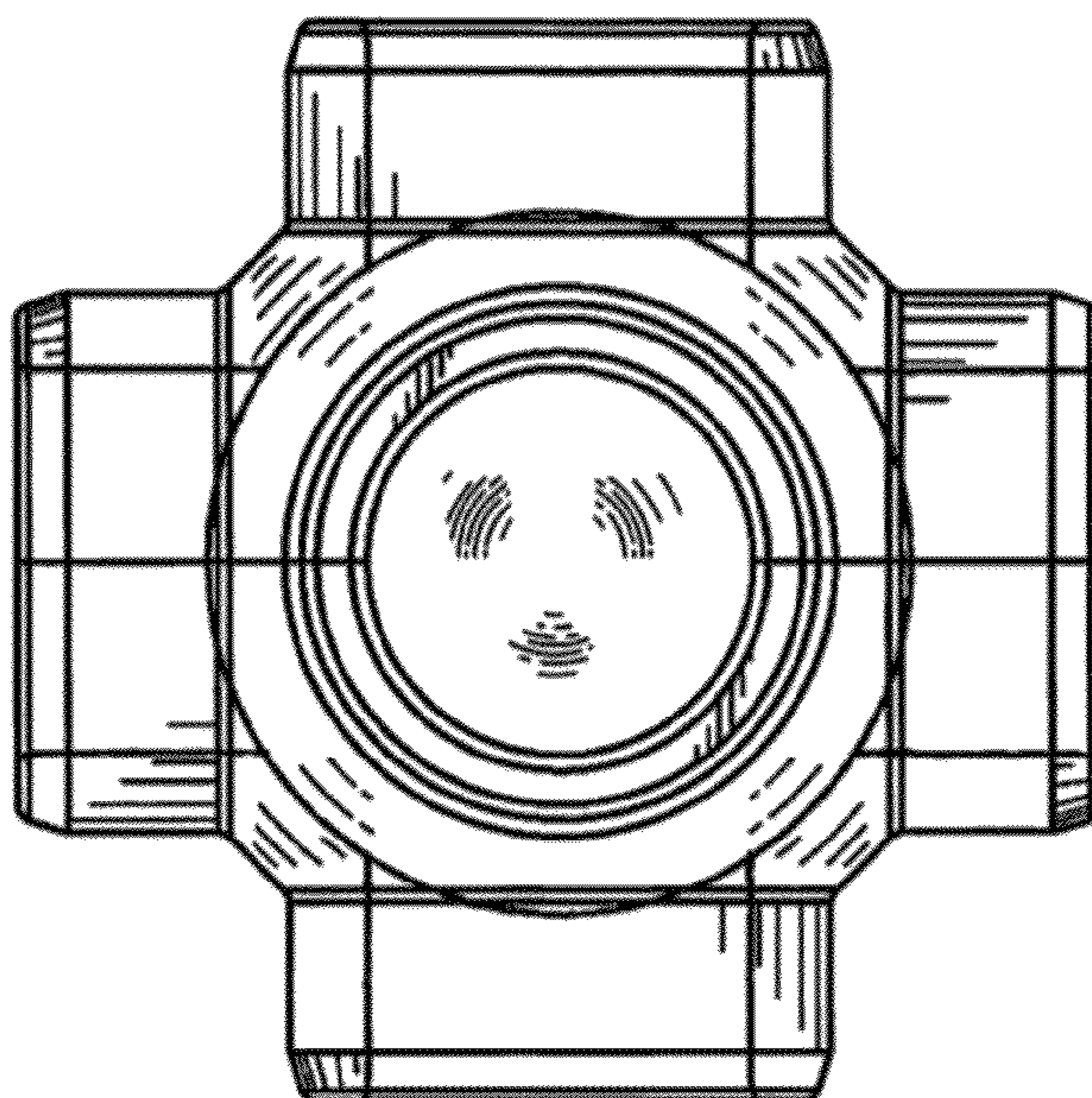




FIG. 4

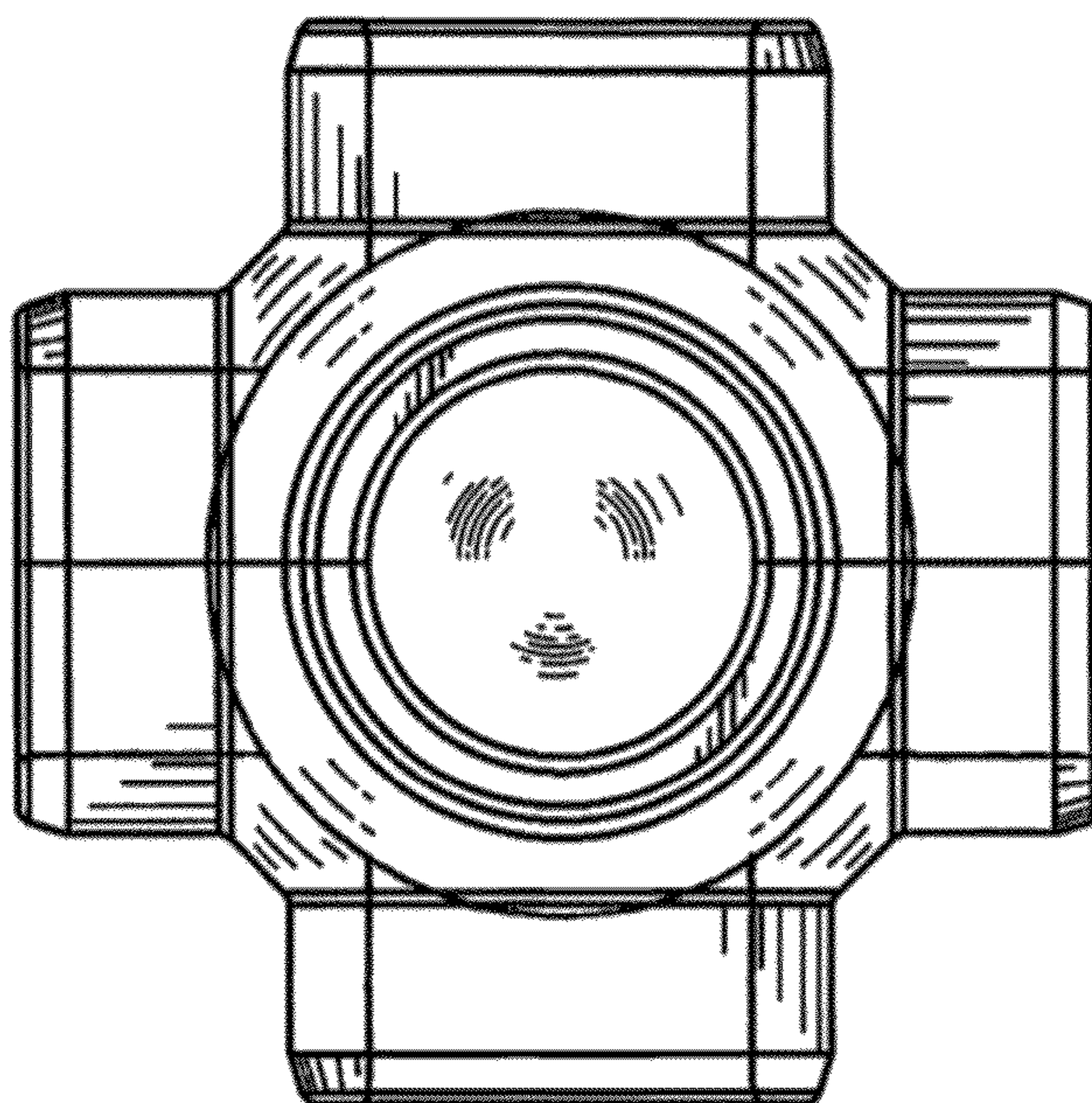


FIG. 5

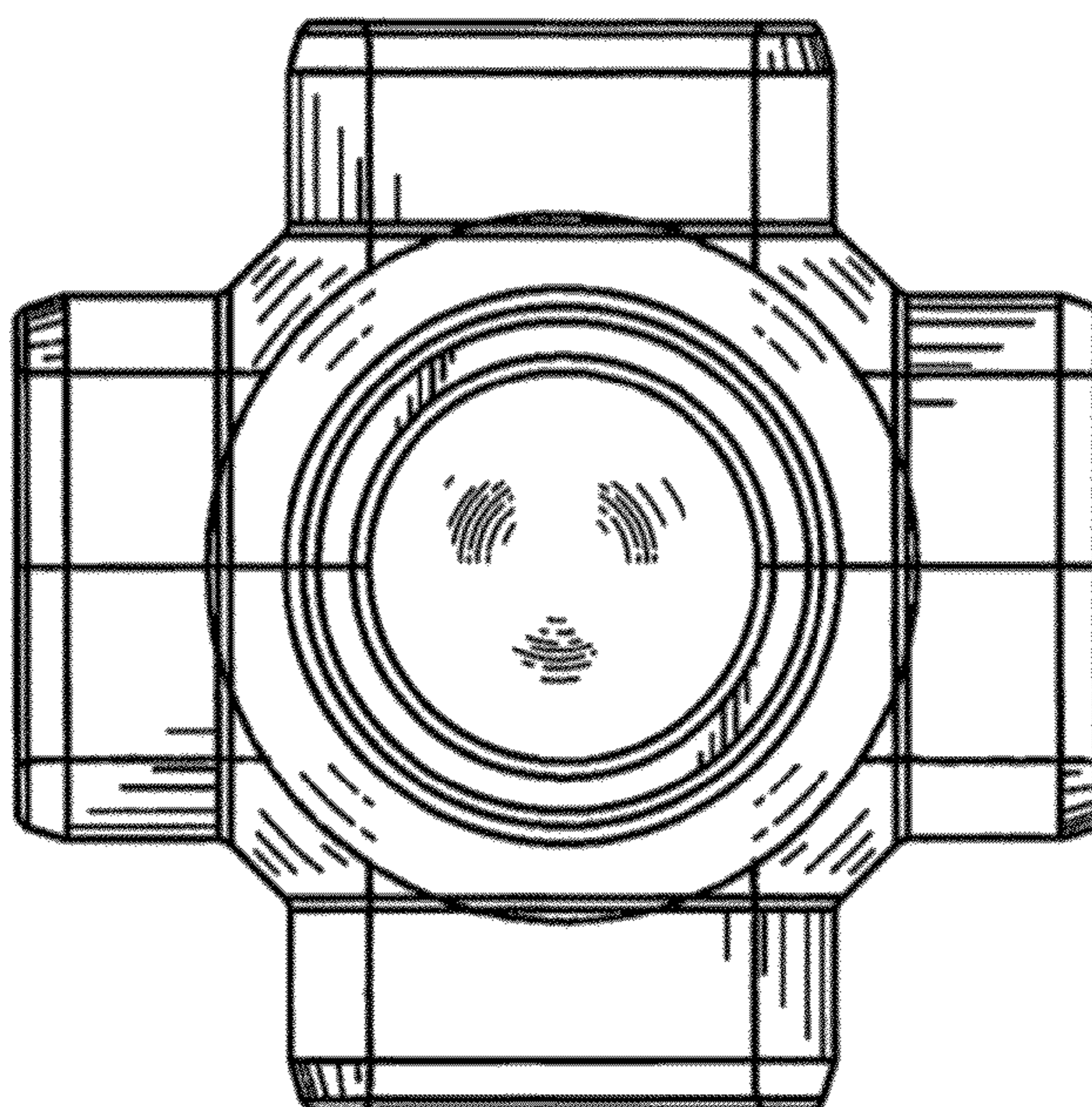




FIG. 6

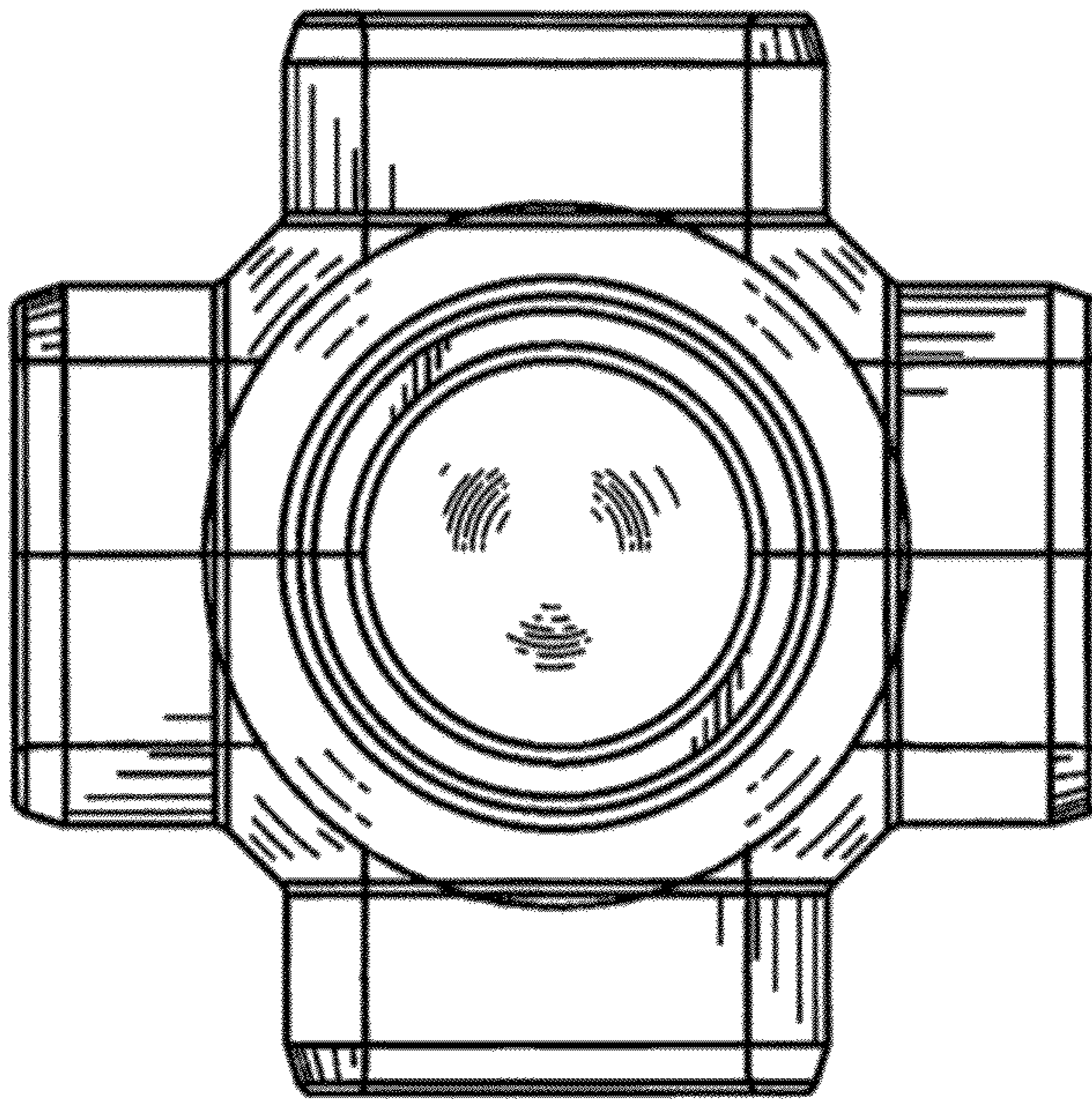


FIG. 7

