



US00D745928S

(12) **United States Design Patent**
Conway, Jr.

(10) **Patent No.:** **US D745,928 S**
(45) **Date of Patent:** **** Dec. 22, 2015**

- (54) **DISPLAY**
- (71) Applicant: **Squire Boone Caverns, Inc.**, New Albany, IN (US)
- (72) Inventor: **W. Frederick Conway, Jr.**, New Albany, IN (US)
- (73) Assignee: **Squire Boone Caverns, Inc.**, New Albany, IN (US)
- (**) Term: **14 Years**
- (21) Appl. No.: **29/489,294**
- (22) Filed: **Apr. 29, 2014**
- (51) **LOC (10) Cl.** **20-02**
- (52) **U.S. Cl.**
USPC **D20/35**
- (58) **Field of Classification Search**
USPC D20/10, 19, 29-39, 41, 42, 99;
D10/109.1, 109.2, 113.4; D6/404, 672,
D6/674, 675; D11/163; D21/425, 540
CPC G09F 7/00; G09F 7/02; G09F 7/06;
G09F 7/08; G09F 7/18; G09F 9/00; G09F
13/00; G09F 13/02; G09F 13/04; G09F 15/00;
G09F 15/0012; G09F 15/0037; G09F 15/02;
G09F 2013/044; G09F 2013/0454; G09F
2013/0481; G09F 17/00; G09F 19/00; G09F
19/22; G09F 21/00; G09F 21/02; G09F 23/00;
G09F 23/0091
See application file for complete search history.

- D240,544 S 7/1976 Howard
- D251,403 S 3/1979 Bosler
- D267,708 S * 1/1983 Boyakin D11/157
- D321,437 S * 11/1991 Cheng D11/149
- D360,753 S 8/1995 Willey
- D389,535 S 1/1998 Schulz
- D392,460 S 3/1998 Hung
- D679,338 S * 4/2013 Ewringmann D21/425
- D737,077 S * 8/2015 Cockayne D12/95

OTHER PUBLICATIONS

Silver Streak's Tumbled Stone Ore Car Attraction, www.silverstreakind.com/wholesale/Pages/page05.html, 1 page, Aug. 29, 2015.
Copyright Registration VA 699-938, "Ore Car Display and Game Cards", Aug. 27, 1994.
Copyright Registration VA 1-255-179 "Boulder Gem Display", Nov. 20, 2003.
Google Images, "Mining Ore Car", Search Results, Jun. 28, 2014, 2 pages.

* cited by examiner

Primary Examiner — Mary Ann Calabrese
(74) *Attorney, Agent, or Firm* — Berenato & White, LLC

(57) **CLAIM**
The ornamental design for a display, as shown and described.

DESCRIPTION

FIG. 1 is a front perspective view of my design;
FIG. 2 is a front elevational view;
FIG. 3 is a rear elevational view;
FIG. 4 is a left side elevational view;
FIG. 5 is a right side elevational view;
FIG. 6 is a top plan view; and,
FIG. 7 is a bottom plan view.

1 Claim, 6 Drawing Sheets

- (56) **References Cited**
U.S. PATENT DOCUMENTS
395,317 A * 1/1889 Dubey G09F 13/04
40/557
D221,633 S 8/1971 Kotkowski

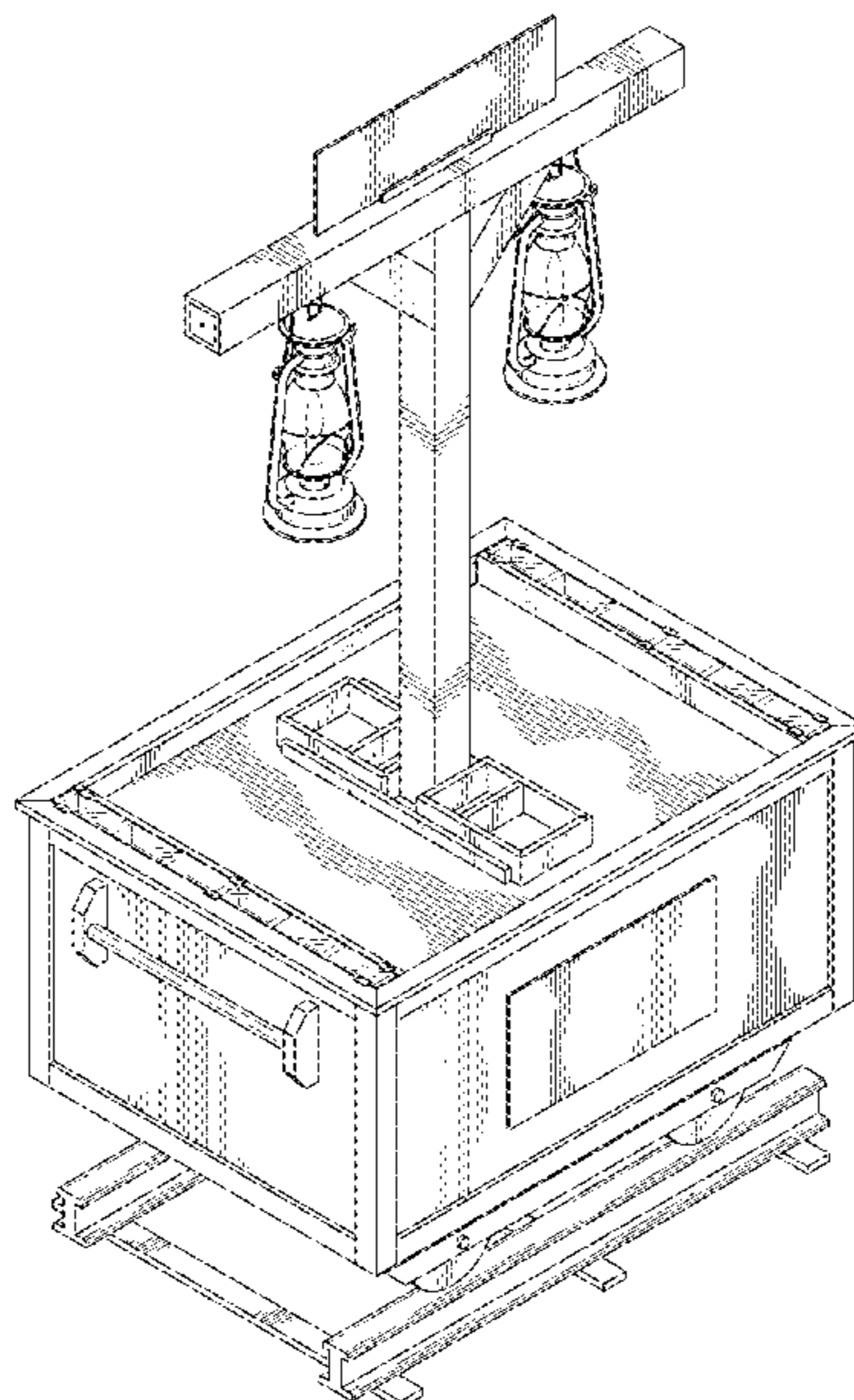


Fig. 1

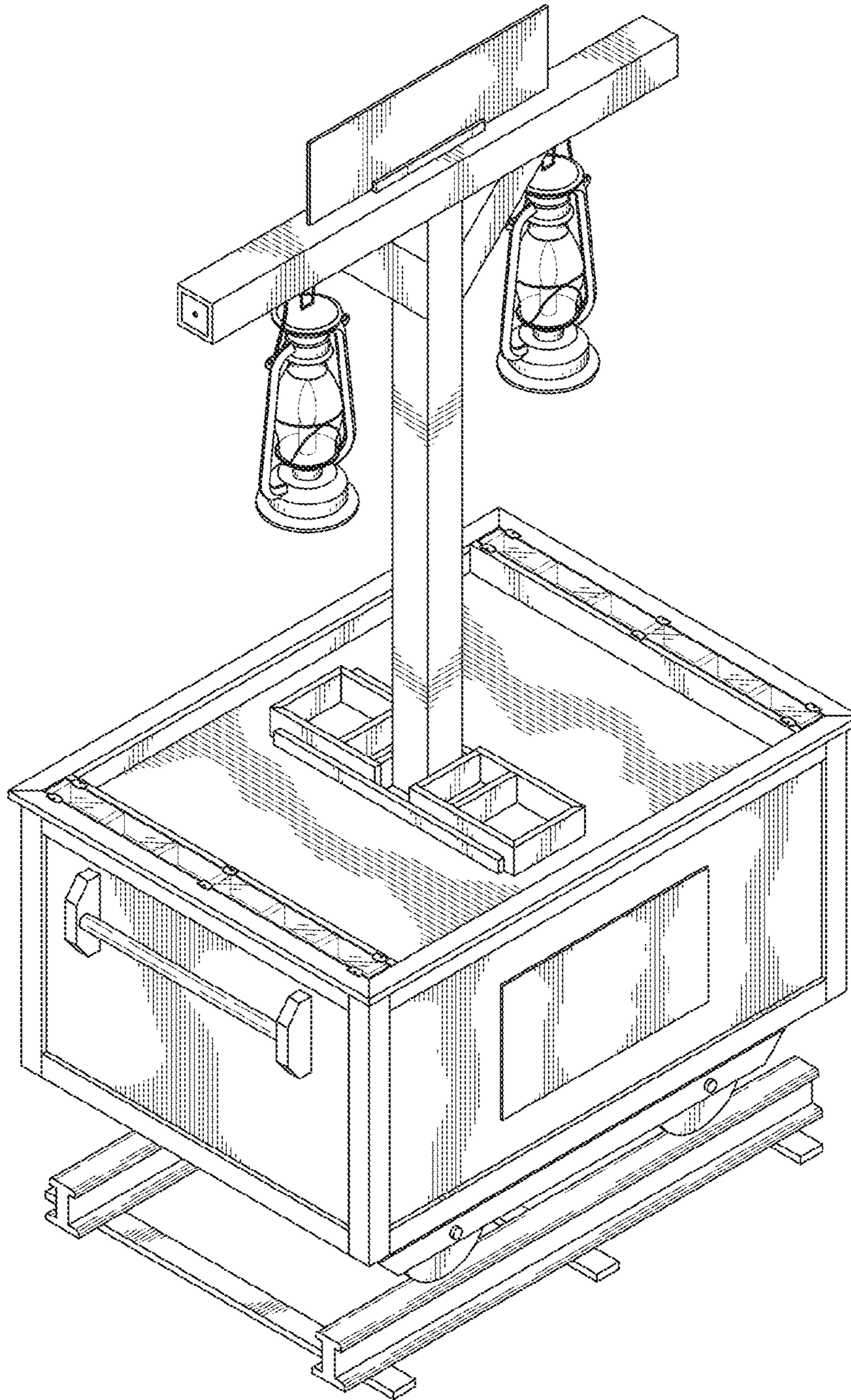


Fig. 2

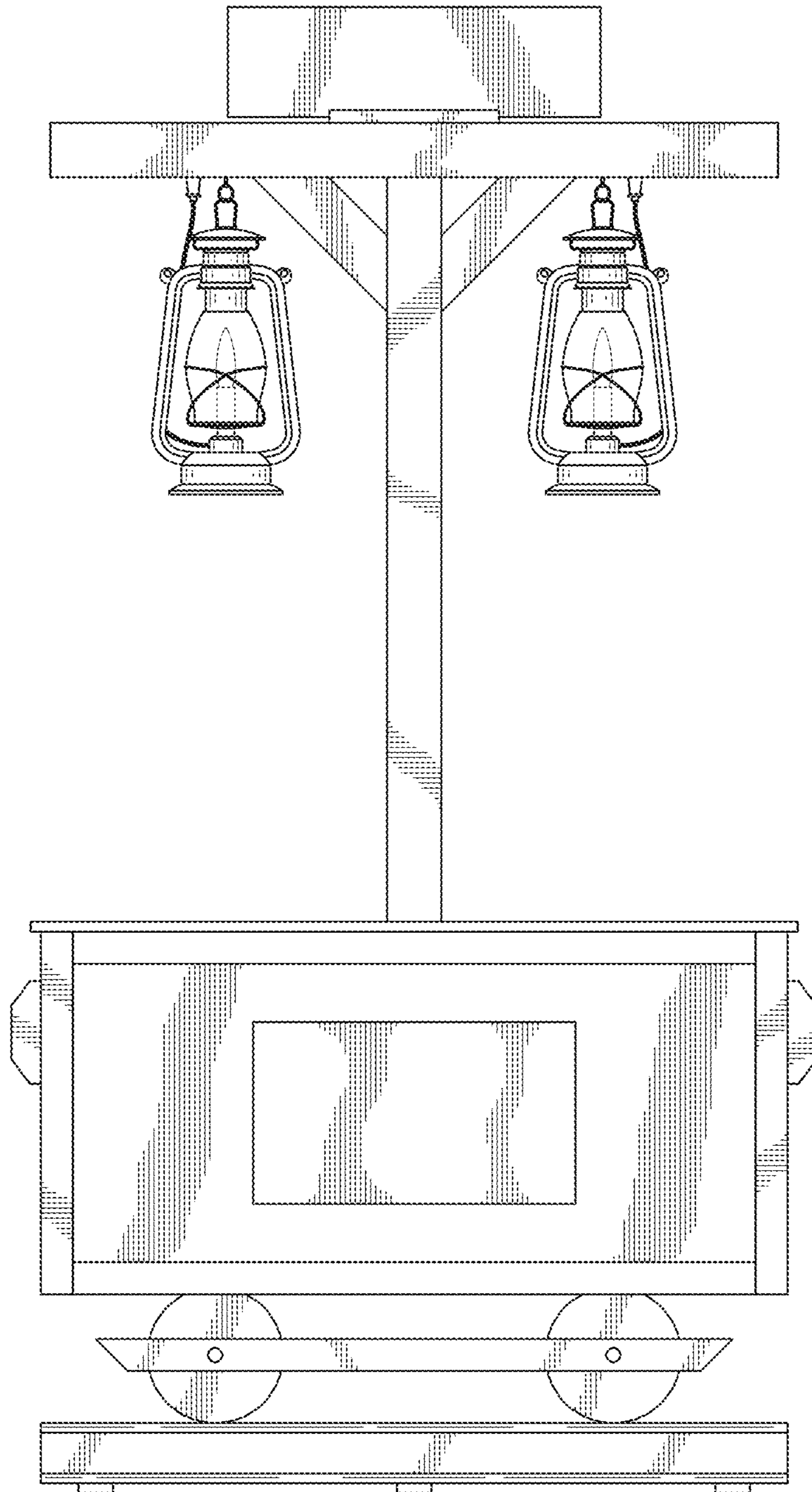


Fig. 3

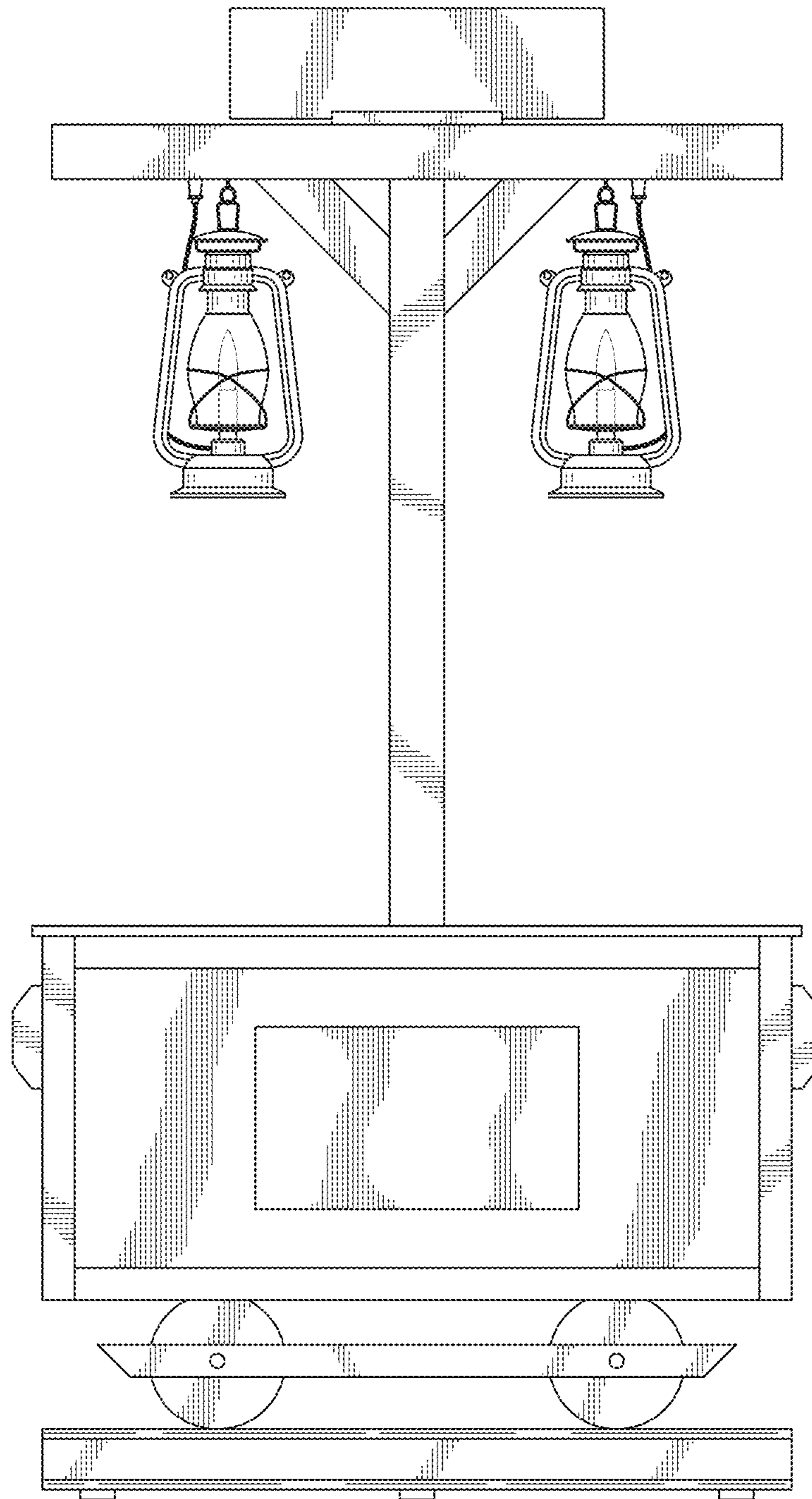


Fig. 4

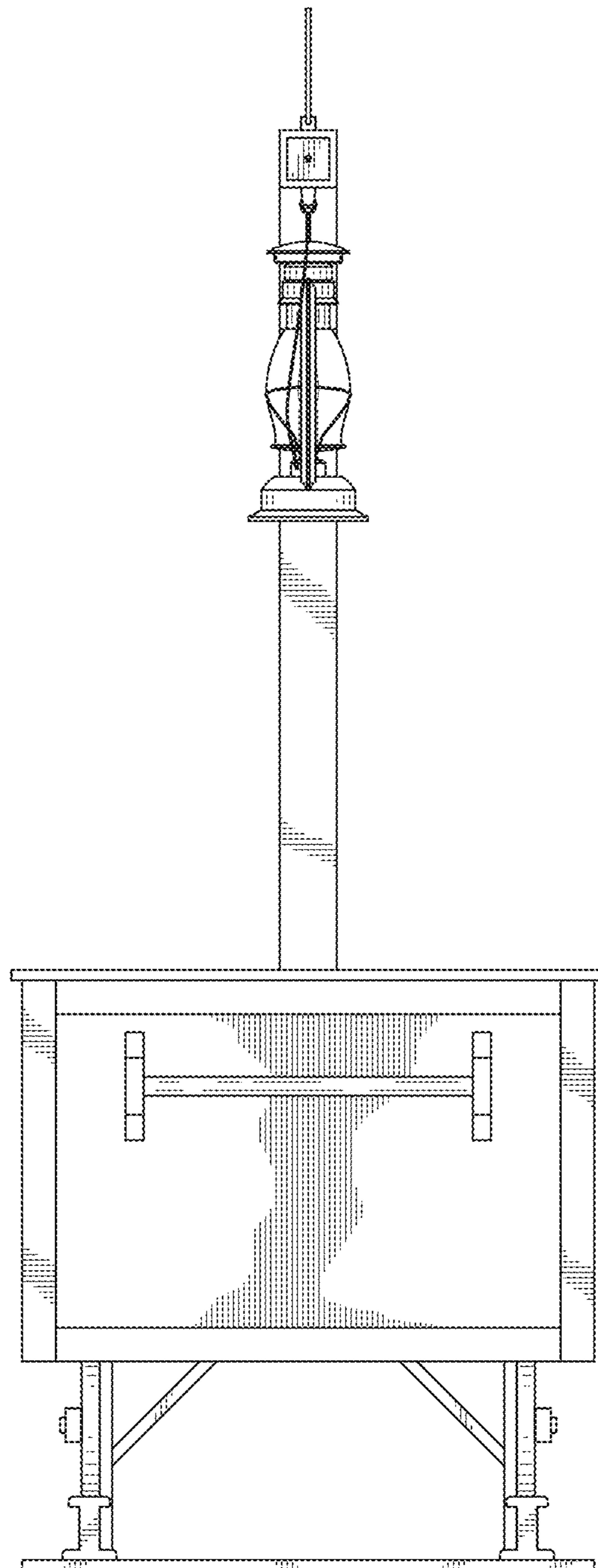


Fig. 5

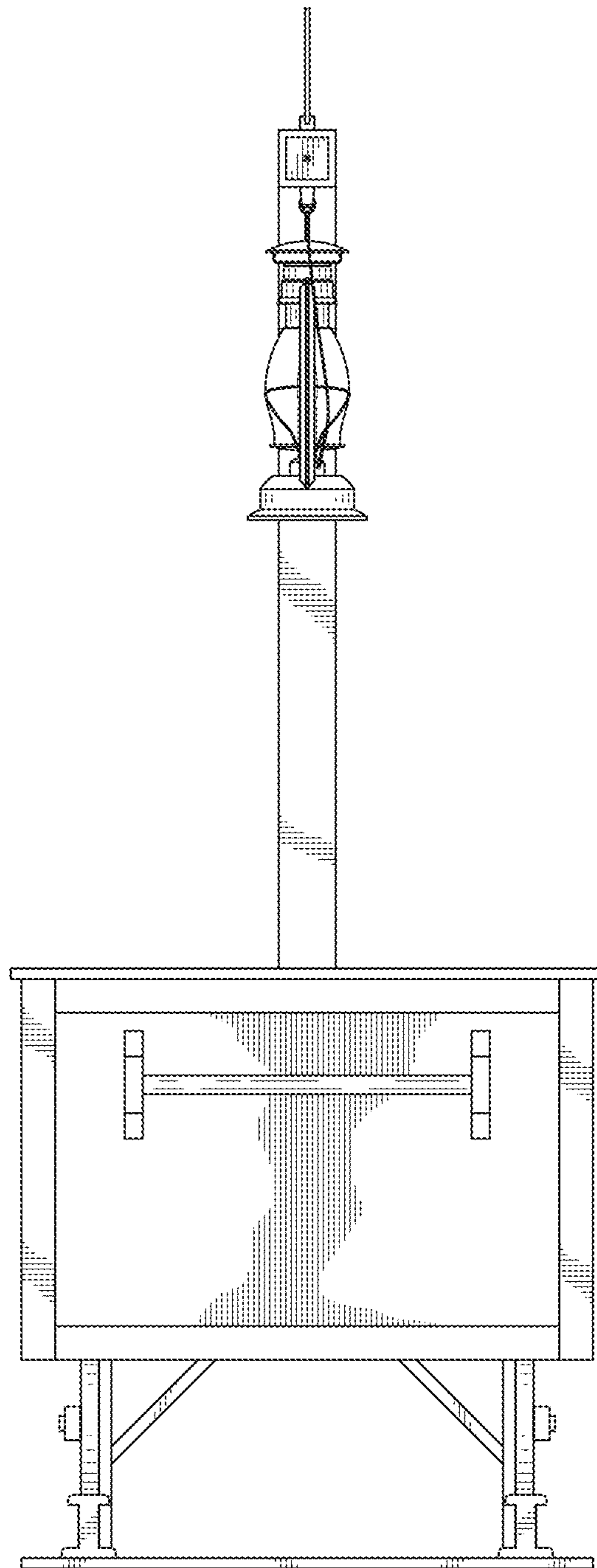


Fig. 6

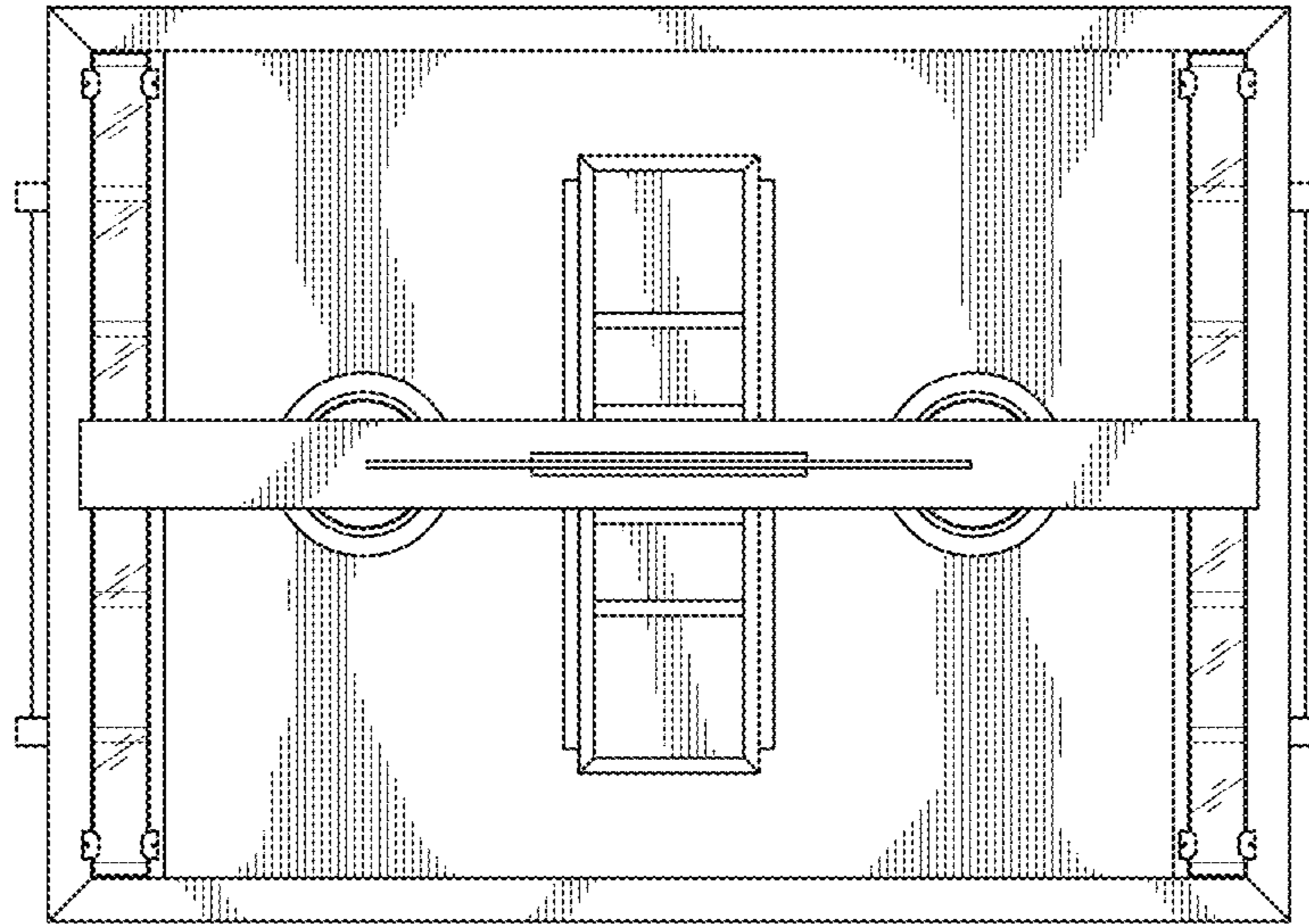


Fig. 7

