



US00D745926S

(12) **United States Design Patent**
Watase

(10) **Patent No.:** **US D745,926 S**

(45) **Date of Patent:** **** Dec. 22, 2015**

(54) **BALLPOINT PEN**

(56) **References Cited**

(71) Applicant: **KABUSHIKI KAISHA PILOT CORPORATION**, Tokyo (JP)

U.S. PATENT DOCUMENTS

(72) Inventor: **Satoshi Watase**, Nara (JP)

D433,704 S *	11/2000	Kouda	D19/174
D441,015 S *	4/2001	Izushima	D19/174
D452,526 S *	12/2001	Nishida	D19/166
D461,501 S *	8/2002	Nishida	D19/166
D463,821 S *	10/2002	Nishida	D19/174
D474,241 S *	5/2003	Hasegawa	D19/174
D592,245 S *	5/2009	Yu	D19/166
D593,604 S *	6/2009	Yu	D19/173
D598,953 S *	8/2009	Yu	D19/166
D667,880 S *	9/2012	Zhang	D19/173
D697,970 S *	1/2014	Jin	D19/933

(73) Assignee: **KABUSHIKI KAISHA PILOT CORPORATION**, Tokyo (JP)

(**) Term: **14 Years**

* cited by examiner

(21) Appl. No.: **29/501,926**

Primary Examiner — Elizabeth Albert

(22) Filed: **Sep. 10, 2014**

(74) *Attorney, Agent, or Firm* — Sughrue Mion, PLLC

(30) **Foreign Application Priority Data**

(57) **CLAIM**

Mar. 13, 2014 (JP) 2014-005386

The ornamental design for a ballpoint pen, as shown and described.

(51) **LOC (10) Cl.** **19-06**

DESCRIPTION

(52) **U.S. Cl.**

FIG. 1 is a perspective view of a ballpoint pen showing my new design;

USPC **D19/173**

FIG. 2 is a front view thereof;

(58) **Field of Classification Search**

USPC D14/411; D19/115–204

FIG. 3 is a rear view thereof;

CPC B43K 5/005; B43K 7/00; B43K 7/10;

FIG. 4 is a left side view thereof;

B43K 7/12; B43K 8/04; B43K 19/00; B43K

FIG. 5 is a right side view thereof;

19/14; B43K 23/00; B43K 23/001; B43K

FIG. 6 is a top view thereof;

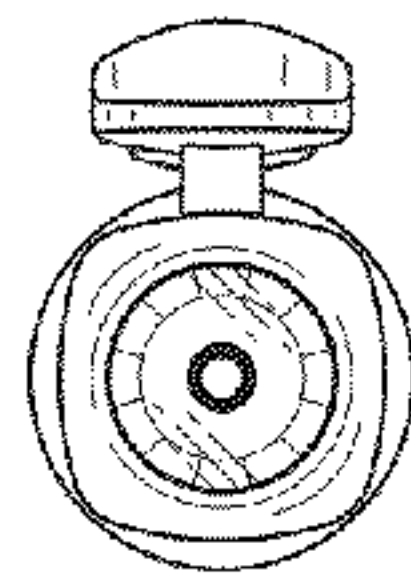
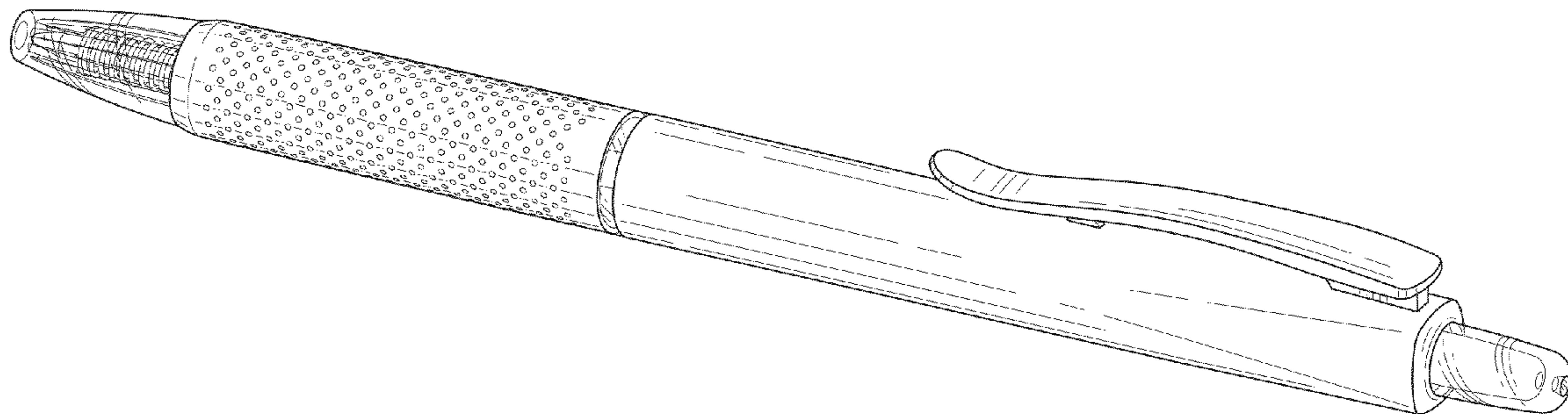
23/016; B43K 24/08; B43K 24/084

FIG. 7 is a bottom view thereof; and,

See application file for complete search history.

FIG. 8 is a front view thereof with the point ejected.

1 Claim, 3 Drawing Sheets



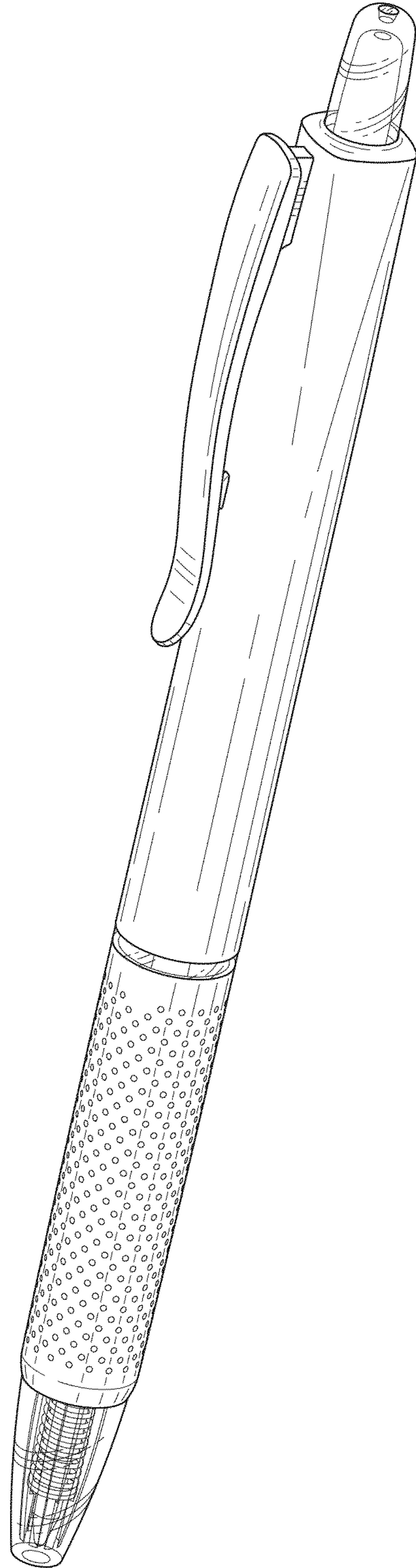


FIG. 1

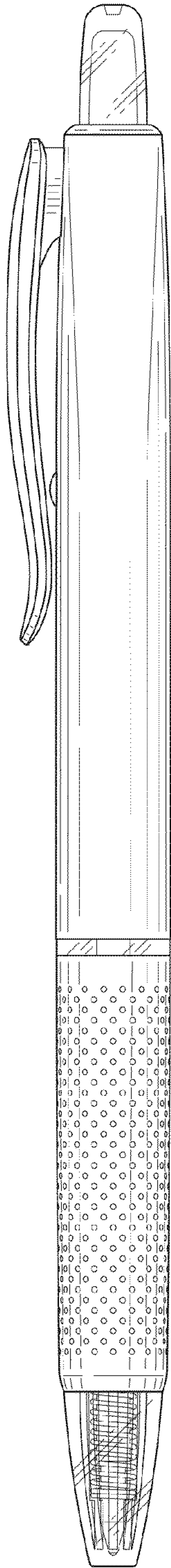


FIG. 2

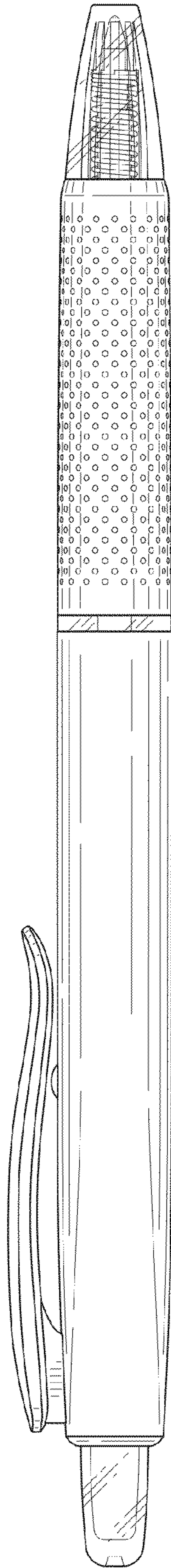


FIG. 3

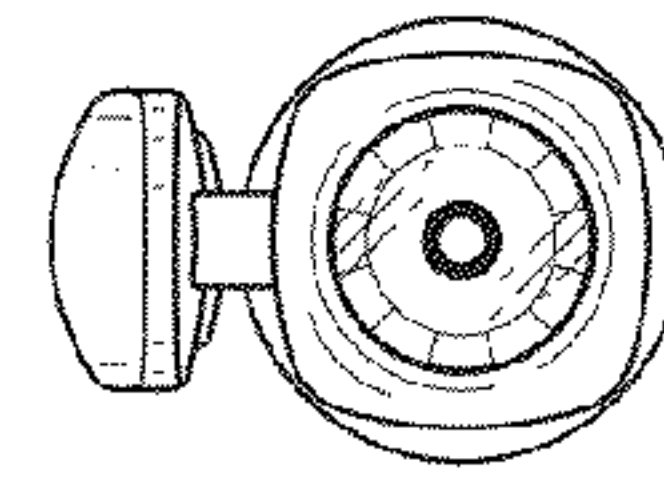


FIG. 5

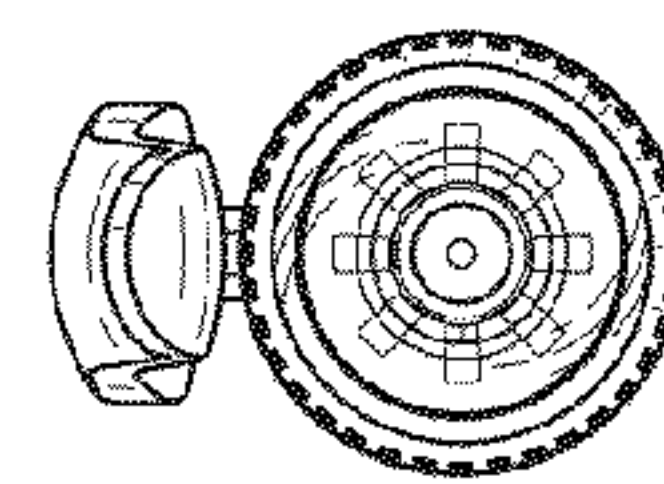


FIG. 4

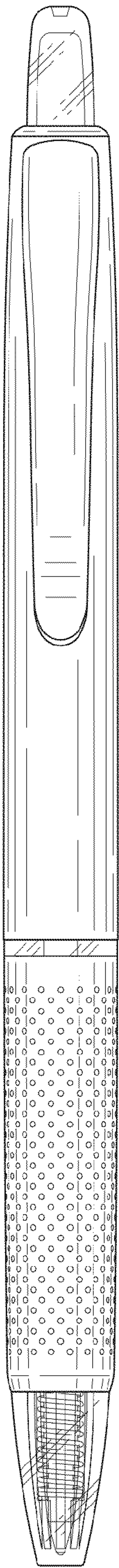


FIG. 6

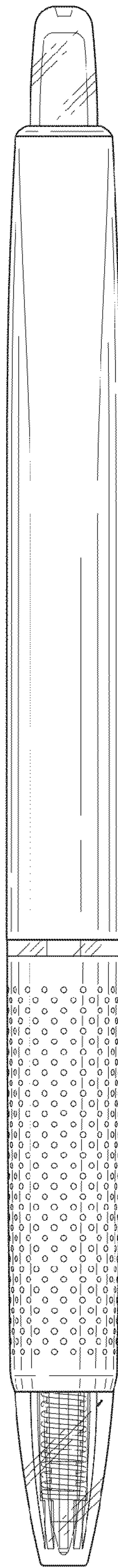


FIG. 7

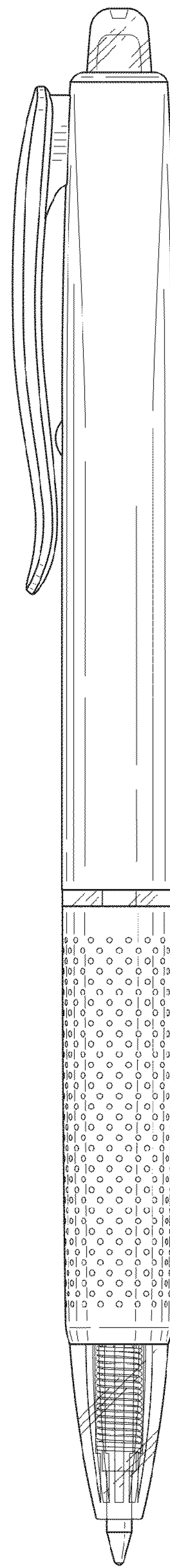


FIG. 8