



US00D745920S

(12) **United States Design Patent**
Lee et al.

(10) **Patent No.:** **US D745,920 S**
(45) **Date of Patent:** **** Dec. 22, 2015**

(54) **CAMERA**

(71) Applicant: **GoPro, Inc.**, San Mateo, CA (US)
(72) Inventors: **Seungheon Lee**, Cupertino, CA (US);
Richard Gioscia, Santa Clara, CA (US);
Joshua P. Davies, Fremont, CA (US);
Evan L. Coons, San Mateo, CA (US)
(73) Assignee: **GoPro, Inc.**, San Mateo, CA (US)

(**) Term: **14 Years**

(21) Appl. No.: **29/525,725**

(22) Filed: **May 1, 2015**

Related U.S. Application Data

(63) Continuation of application No. 29/523,082, filed on Apr. 6, 2015, which is a continuation of application No. 29/500,164, filed on Aug. 21, 2014.

(51) **LOC (10) Cl.** **16-01**

(52) **U.S. Cl.**
USPC **D16/219**

(58) **Field of Classification Search**
USPC D16/200, 202, 203, 204, 208, 218, 219;
348/373–376; 396/535–541
CPC G03B 17/02; H04N 5/225; H04N 5/2251;
H04N 5/2252; H04N 5/2253; H04N 5/2254
See application file for complete search history.

(56) **References Cited**

U.S. PATENT DOCUMENTS

D118,296 S * 12/1939 Tuomey D16/205
4,646,141 A 2/1987 Timmermans et al.
5,808,663 A * 9/1998 Okaya H04N 7/142

348/373
D441,386 S 5/2001 Yamazaki
D504,904 S * 5/2005 Nagai D16/203
D515,121 S 2/2006 Bleau et al.
D596,217 S * 7/2009 Kim D16/219
D616,480 S * 5/2010 Ookawa D16/218
8,467,675 B2 * 6/2013 Chen G03B 17/02
396/535
D713,868 S 9/2014 Yang et al.
D727,387 S 4/2015 Hasegawa et al.
D730,423 S * 5/2015 Vandebussche D16/218

* cited by examiner

Primary Examiner — Adir Aronovich

(74) *Attorney, Agent, or Firm* — Fenwick & West LLP

(57) **CLAIM**

The ornamental design for a camera, as shown and described.

DESCRIPTION

FIG. 1 is a front, top and right side perspective view of a camera showing our new design;
FIG. 2 is a front, bottom, and left side perspective view thereof;
FIG. 3 is a rear, top, and left side perspective view thereof;
FIG. 4 is a rear, bottom, and right side perspective view thereof;
FIG. 5 is a front elevational view thereof;
FIG. 6 is a rear elevational view thereof;
FIG. 7 is a right side elevational view thereof;
FIG. 8 is a left side elevational view thereof;
FIG. 9 is a top plan view thereof; and,
FIG. 10 is a bottom plan view thereof.
The broken lines in the drawings showing portions of the camera are included for the purpose of illustrating environmental structure and form no part of the claimed design.

1 Claim, 10 Drawing Sheets

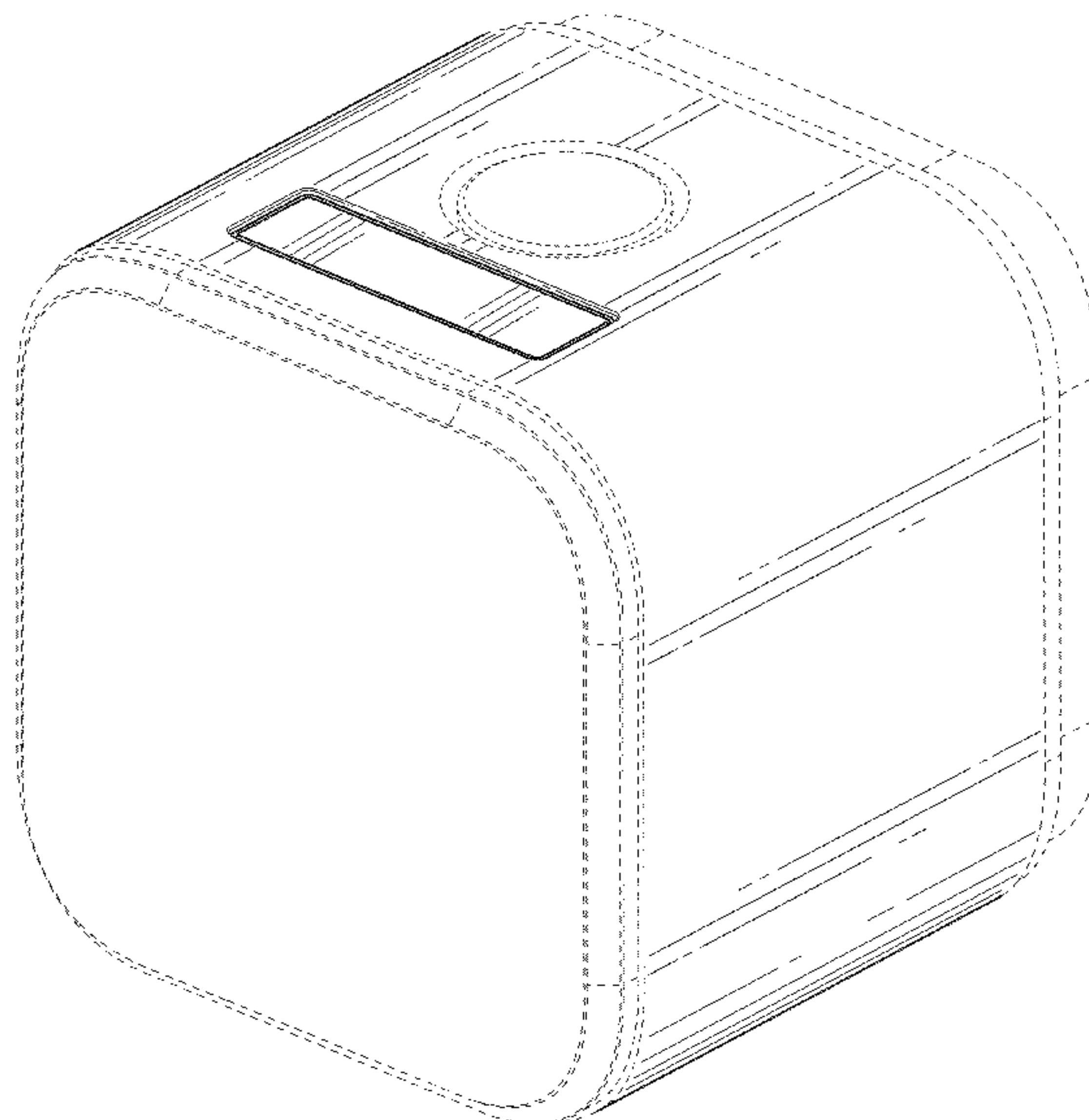




FIG. 1

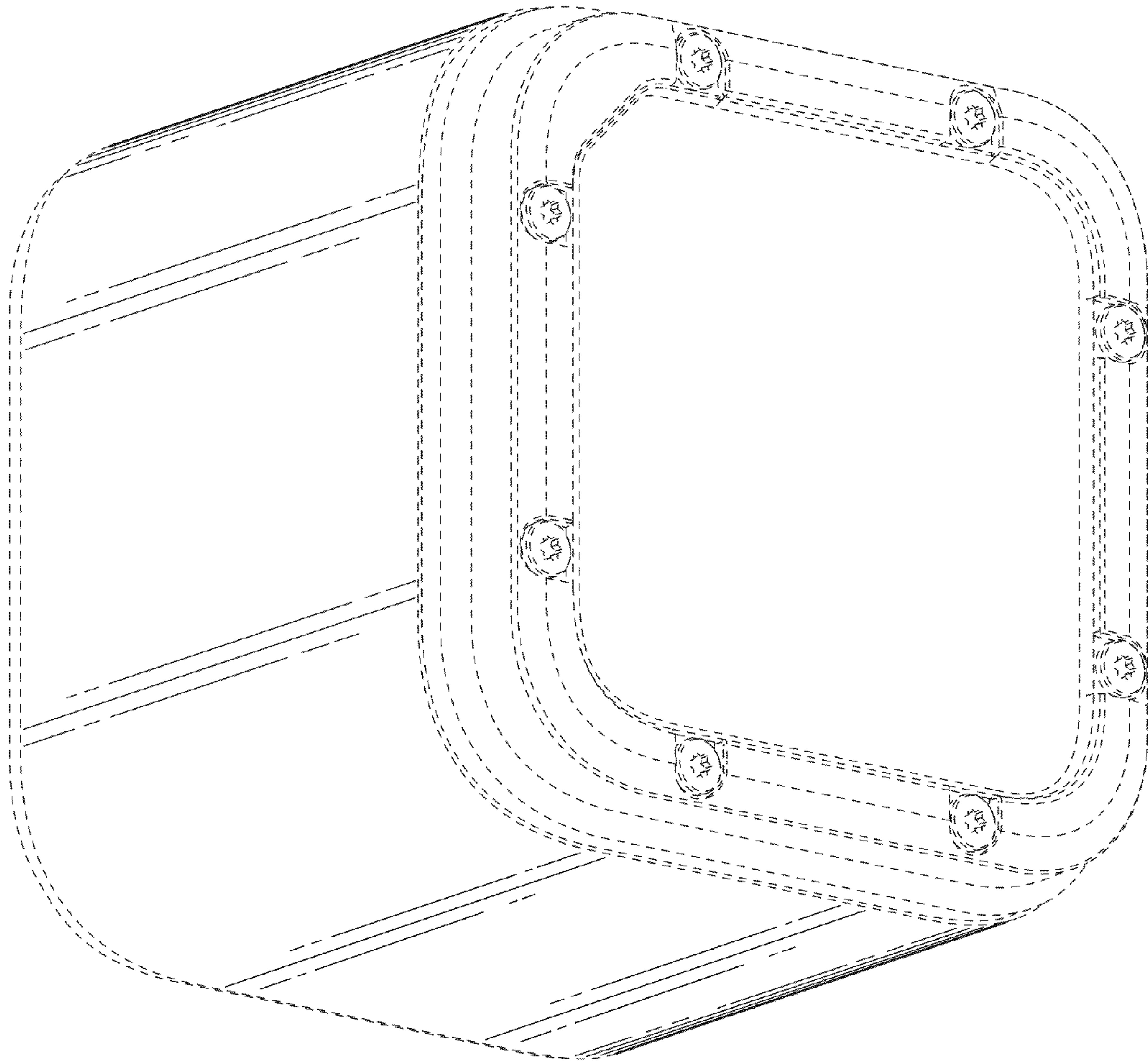


FIG. 2



FIG. 3

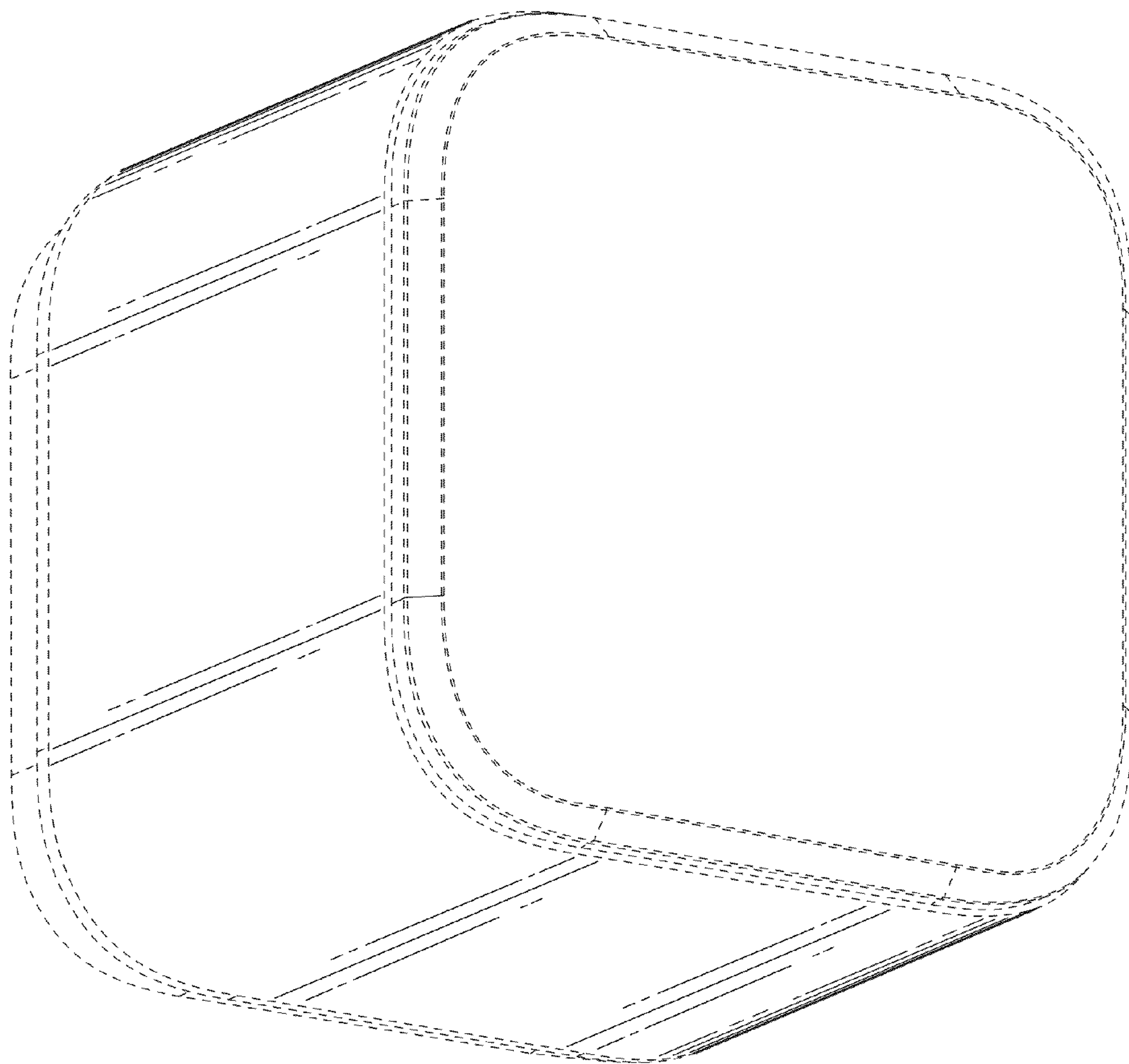


FIG. 4

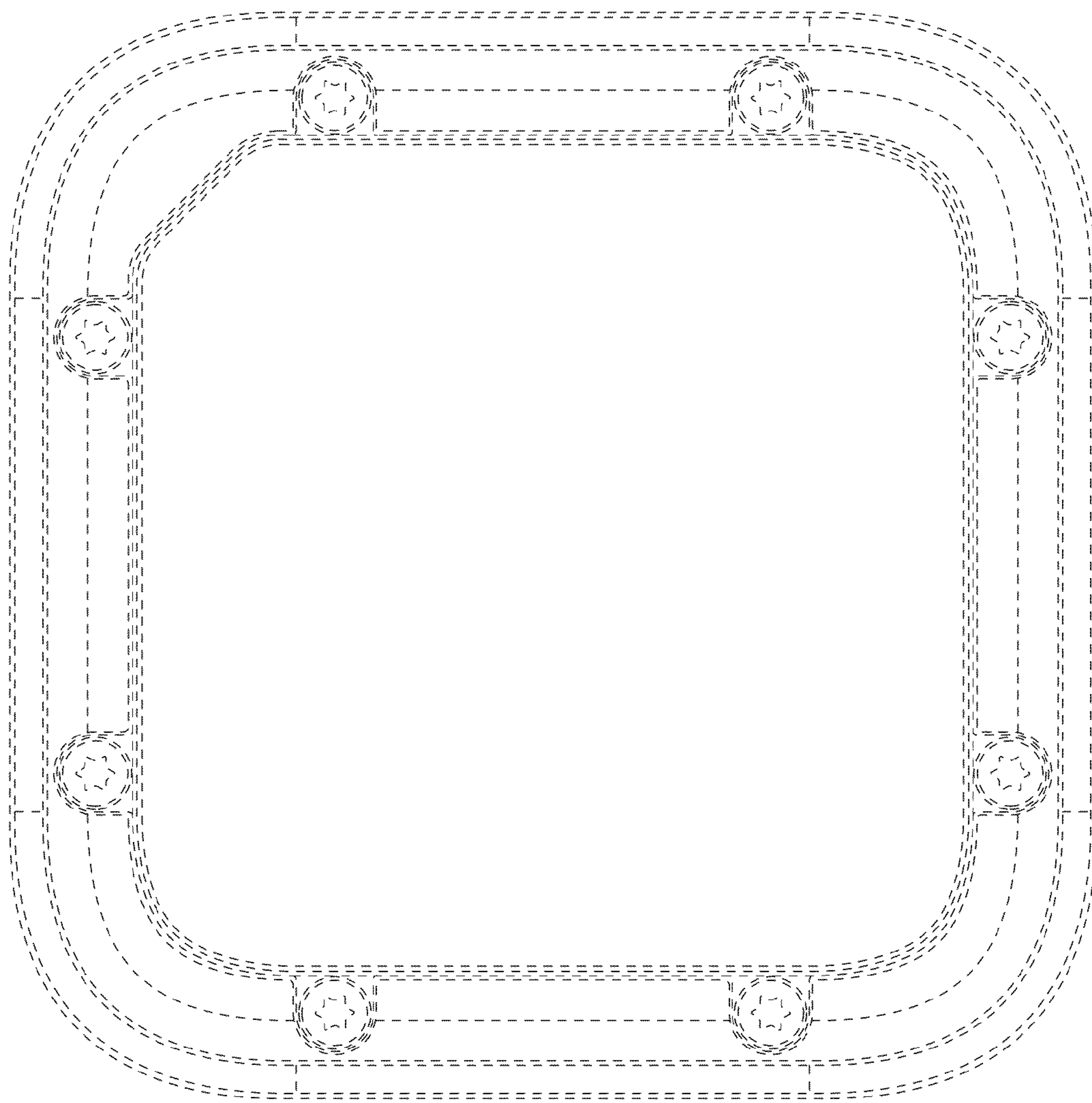


FIG. 5

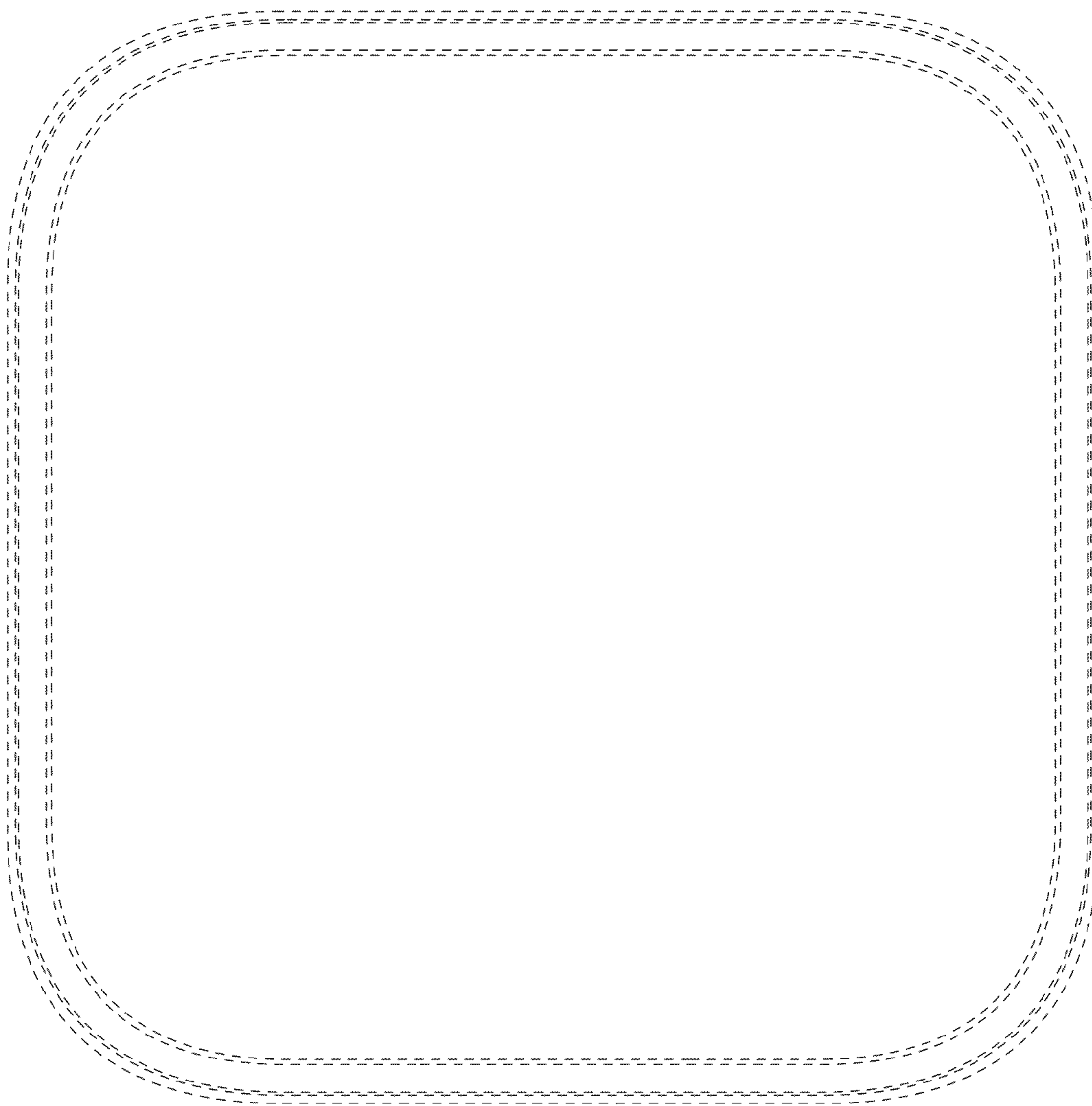


FIG. 6

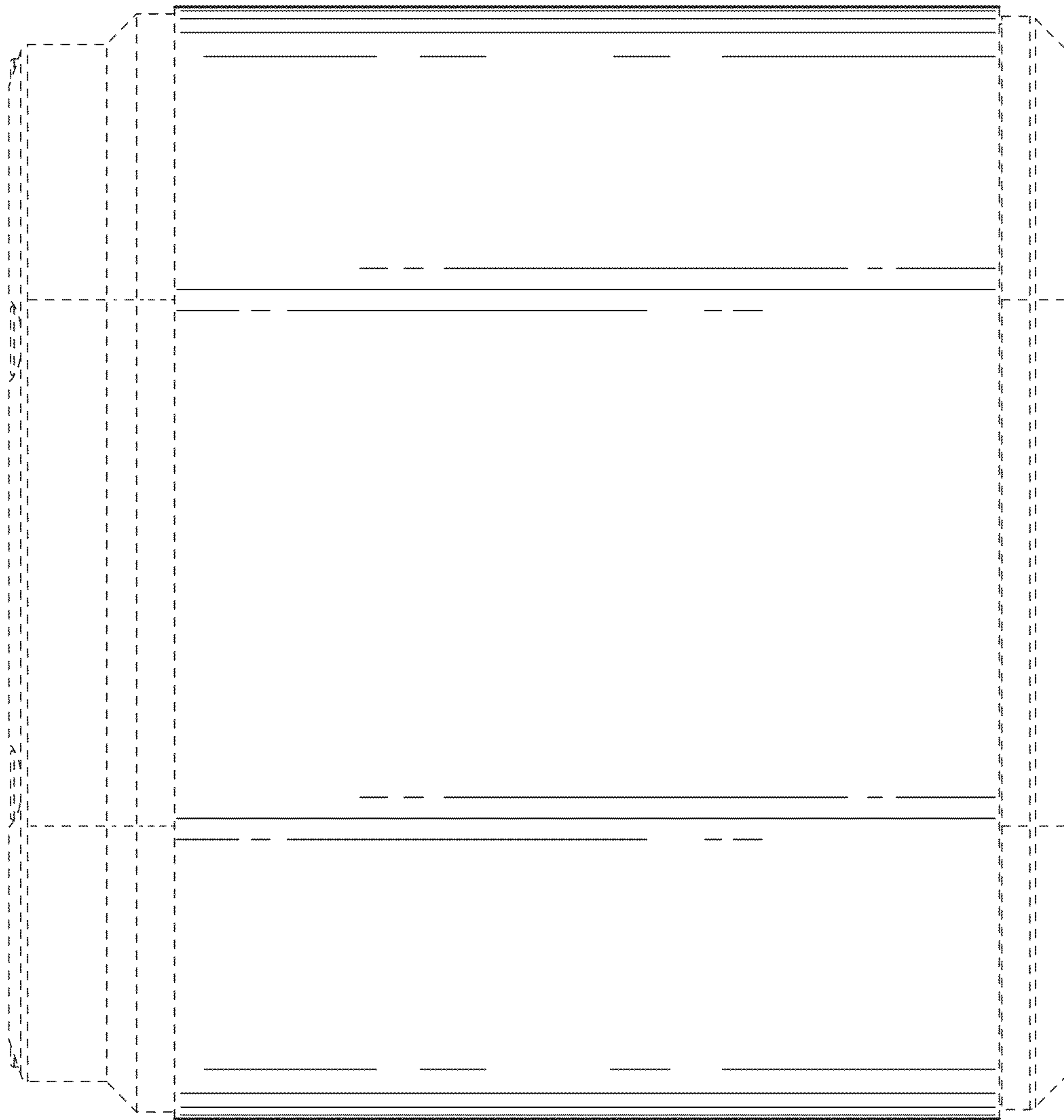


FIG. 7

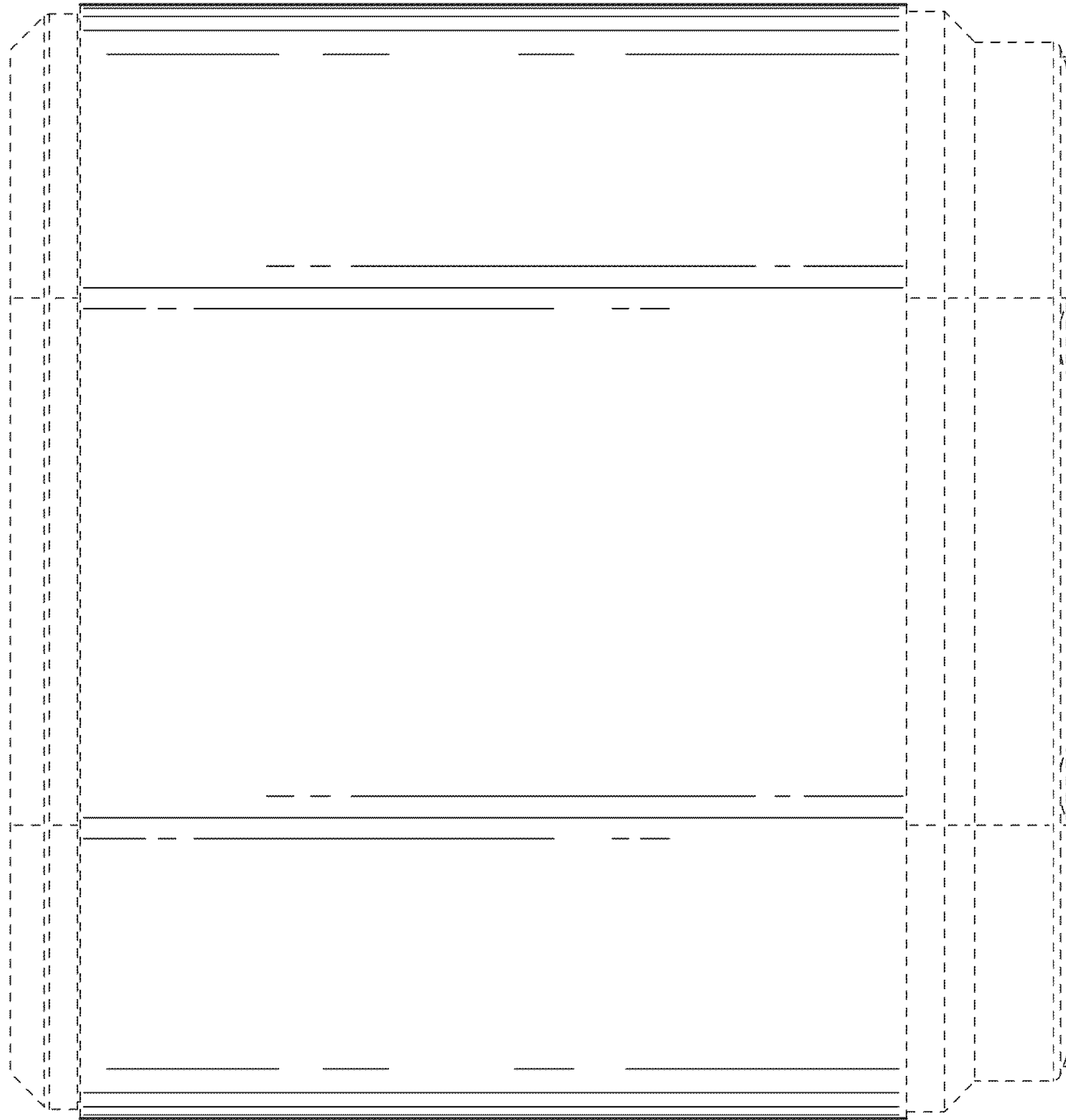


FIG. 8

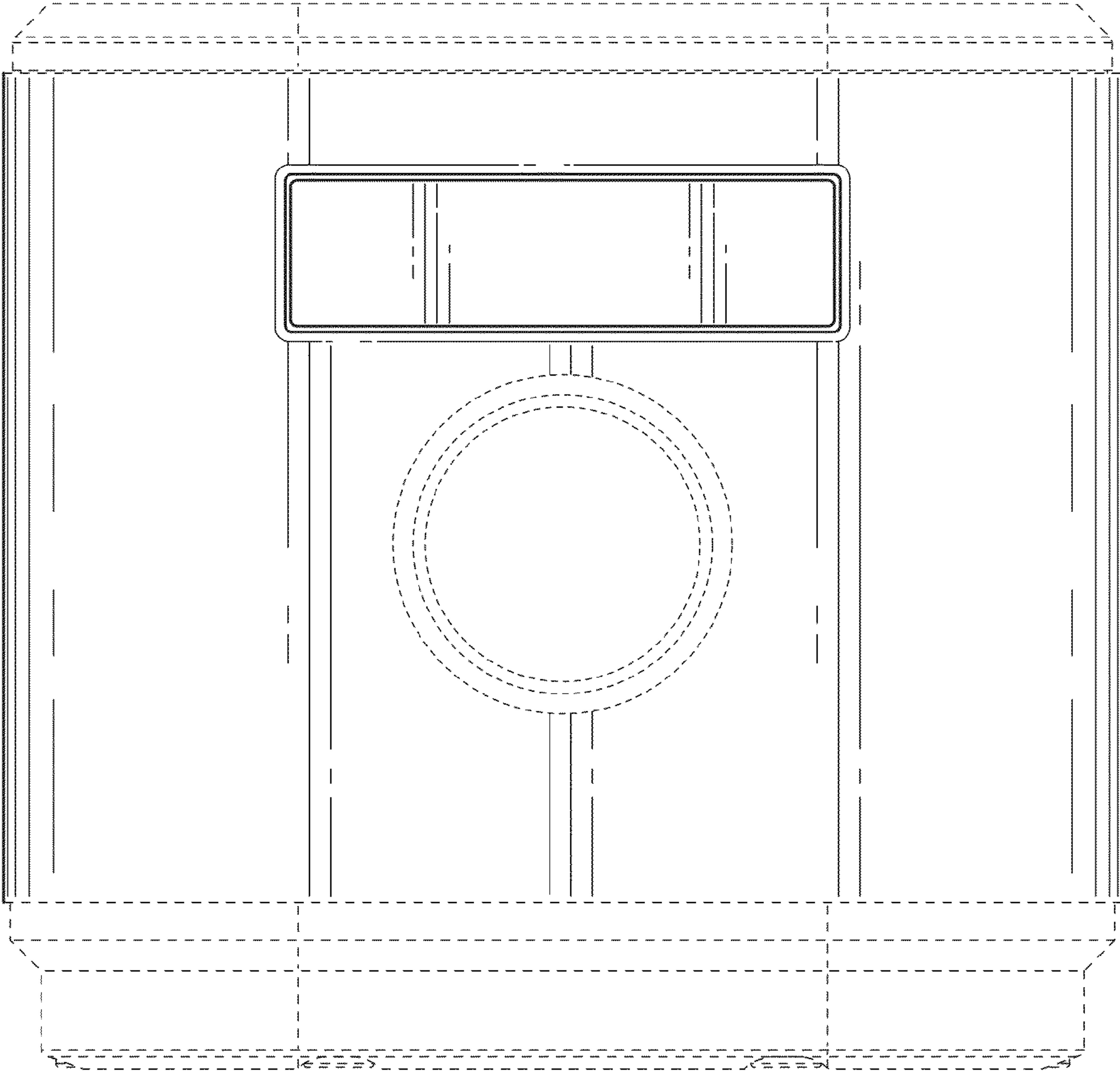


FIG. 9

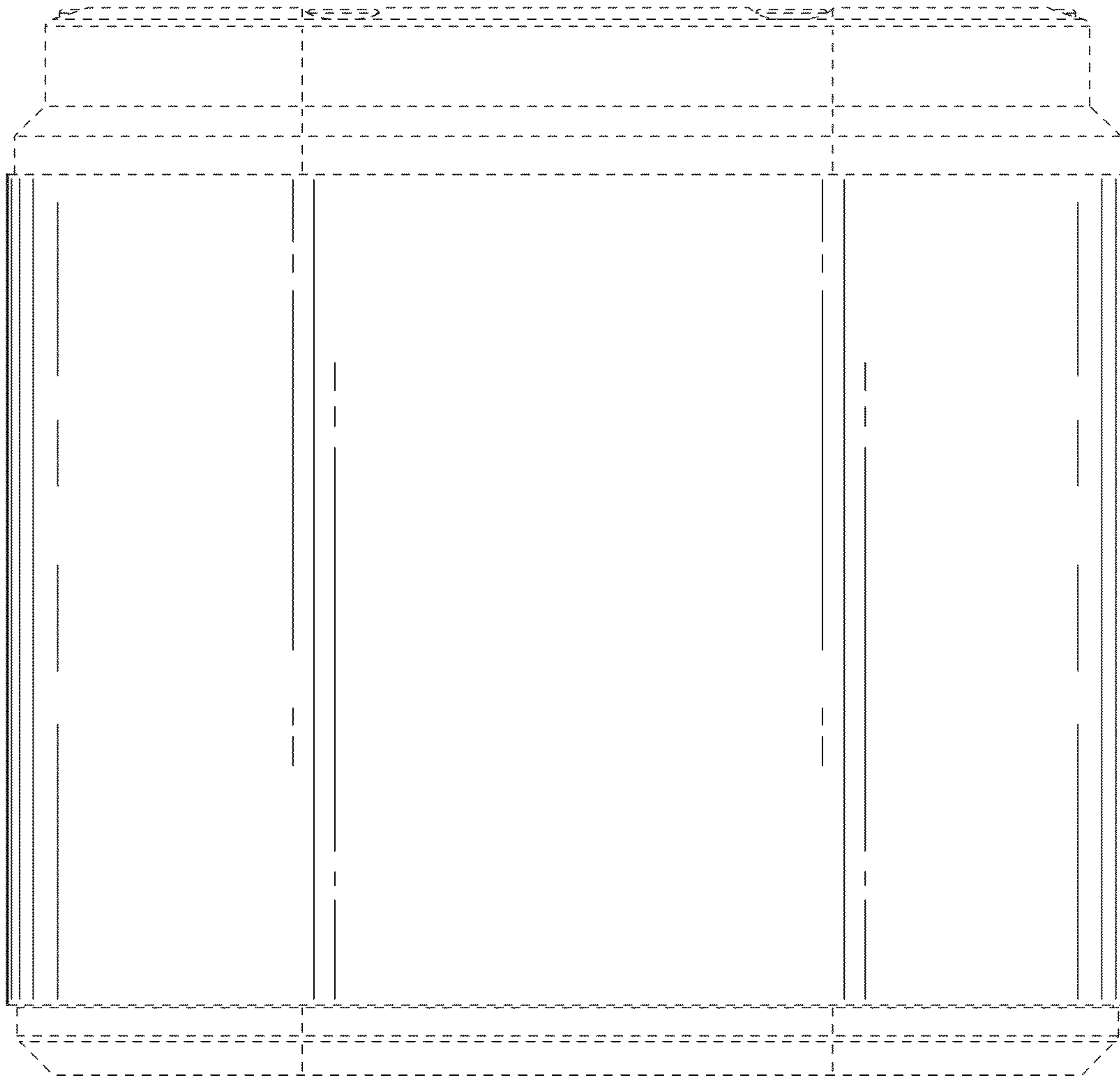


FIG. 10