



US00D745919S

(12) **United States Design Patent**
Lee

(10) **Patent No.:** **US D745,919 S**
(45) **Date of Patent:** **** Dec. 22, 2015**

(54) **SURVEILLANCE CAMERA COVER**
(71) Applicant: **POWERTECH ELECTRONICS Co., Ltd.**, Incheon (KR)
(72) Inventor: **Cheong Ho Lee**, Incheon (KR)

D560,247 S * 1/2008 Alm D16/219
D561,220 S * 2/2008 Alm D16/203
D575,810 S * 8/2008 Alm D16/203
7,586,537 B2 * 9/2009 Konishi H04N 5/2251
348/373
7,841,782 B2 * 11/2010 Tatewaki G03B 17/02
396/427

(73) Assignee: **POWERTECH ELECTRONICS Co., Ltd.**, Incheon (KR)

* cited by examiner

(**) Term: **14 Years**

Primary Examiner — Adir Aronovich

(21) Appl. No.: **29/510,483**

(74) *Attorney, Agent, or Firm* — David W. Anderson; Abel Law Group, LLP

(22) Filed: **Nov. 28, 2014**

(30) **Foreign Application Priority Data**

May 30, 2014 (KR) 30-2014-0026733

(51) **LOC (10) Cl.** **16-05**

(52) **U.S. Cl.**
USPC **D16/219**

(58) **Field of Classification Search**
USPC D16/200, 202, 203, 208, 218, 219;
348/143, 151, 373-374; 396/427,
396/535-541

CPC G03B 17/00; G03B 17/02; H04N 5/2251;
H04N 5/2252; H04N 5/2253; H04N 5/772
See application file for complete search history.

(56) **References Cited**

U.S. PATENT DOCUMENTS

4,651,144 A * 3/1987 Pagano G08B 13/19632
340/541
6,525,766 B1 * 2/2003 Ikoma G08B 13/19619
348/151
D556,235 S * 11/2007 Todd D16/200

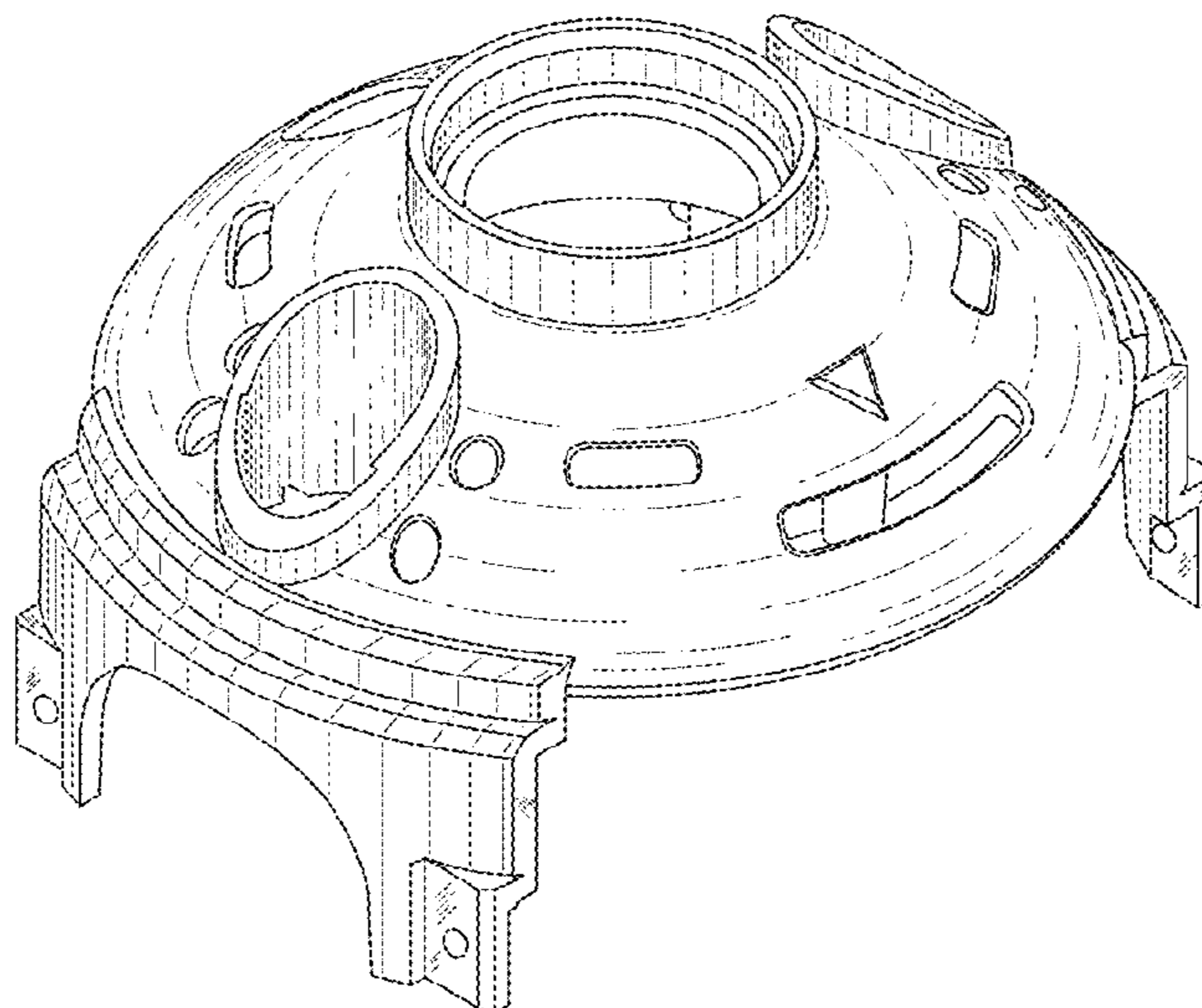
(57) **CLAIM**

The ornamental design for a surveillance camera cover, as shown and described.

DESCRIPTION

FIG. 1 includes a top perspective view of a surveillance camera cover;
FIG. 2 includes a front elevation view of the surveillance camera cover of FIG. 1;
FIG. 3 includes a rear elevation view of the surveillance camera cover of FIG. 1;
FIG. 4 includes a left side elevation view of the surveillance camera cover of FIG. 1;
FIG. 5 includes a right side perspective view of the surveillance camera cover of FIG. 1;
FIG. 6 includes a top plan view of the surveillance camera cover of FIG. 1; and,
FIG. 7 includes a bottom plan view of the surveillance camera cover of FIG. 1.

1 Claim, 3 Drawing Sheets



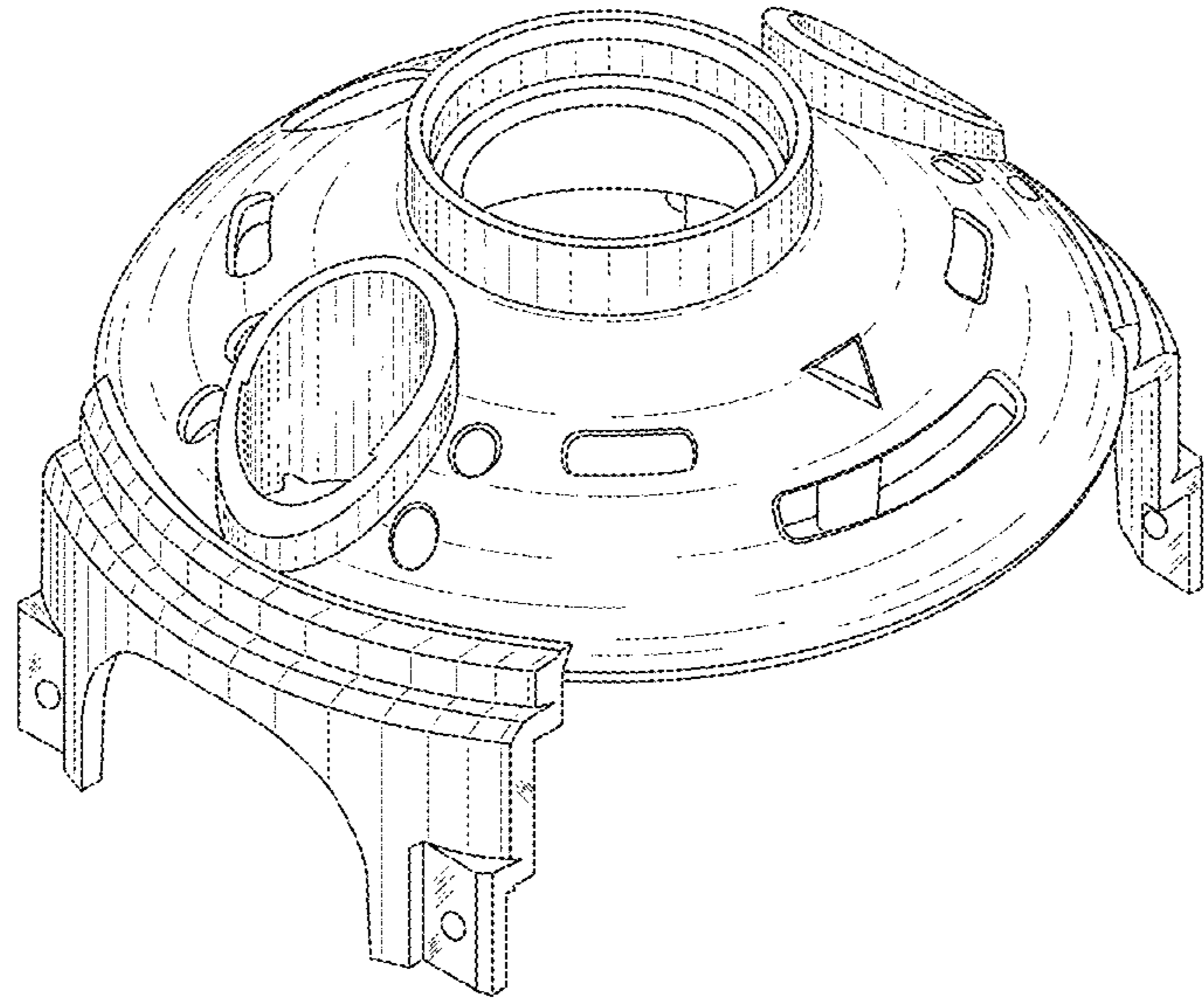


FIG. 1

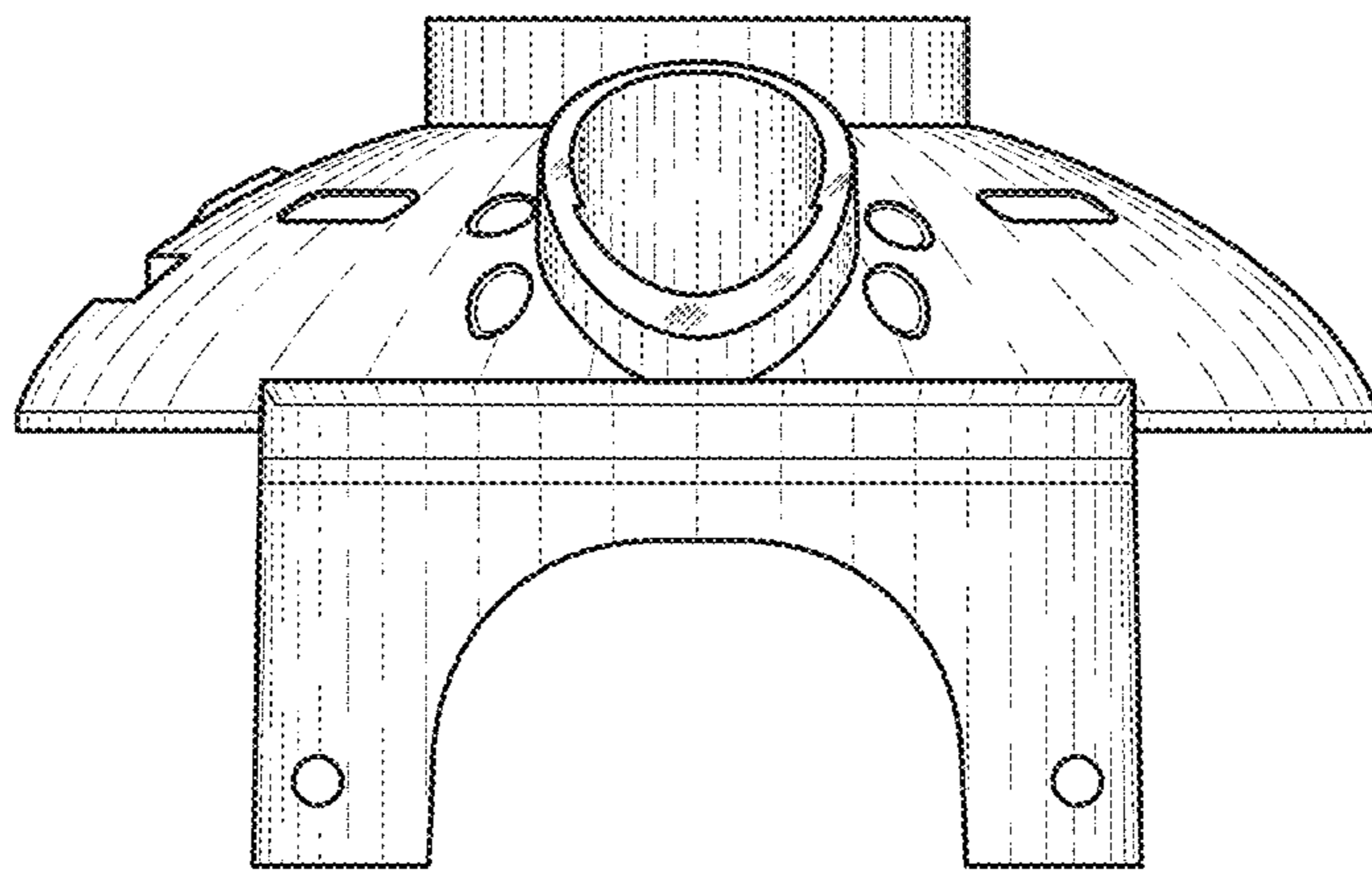


FIG. 2

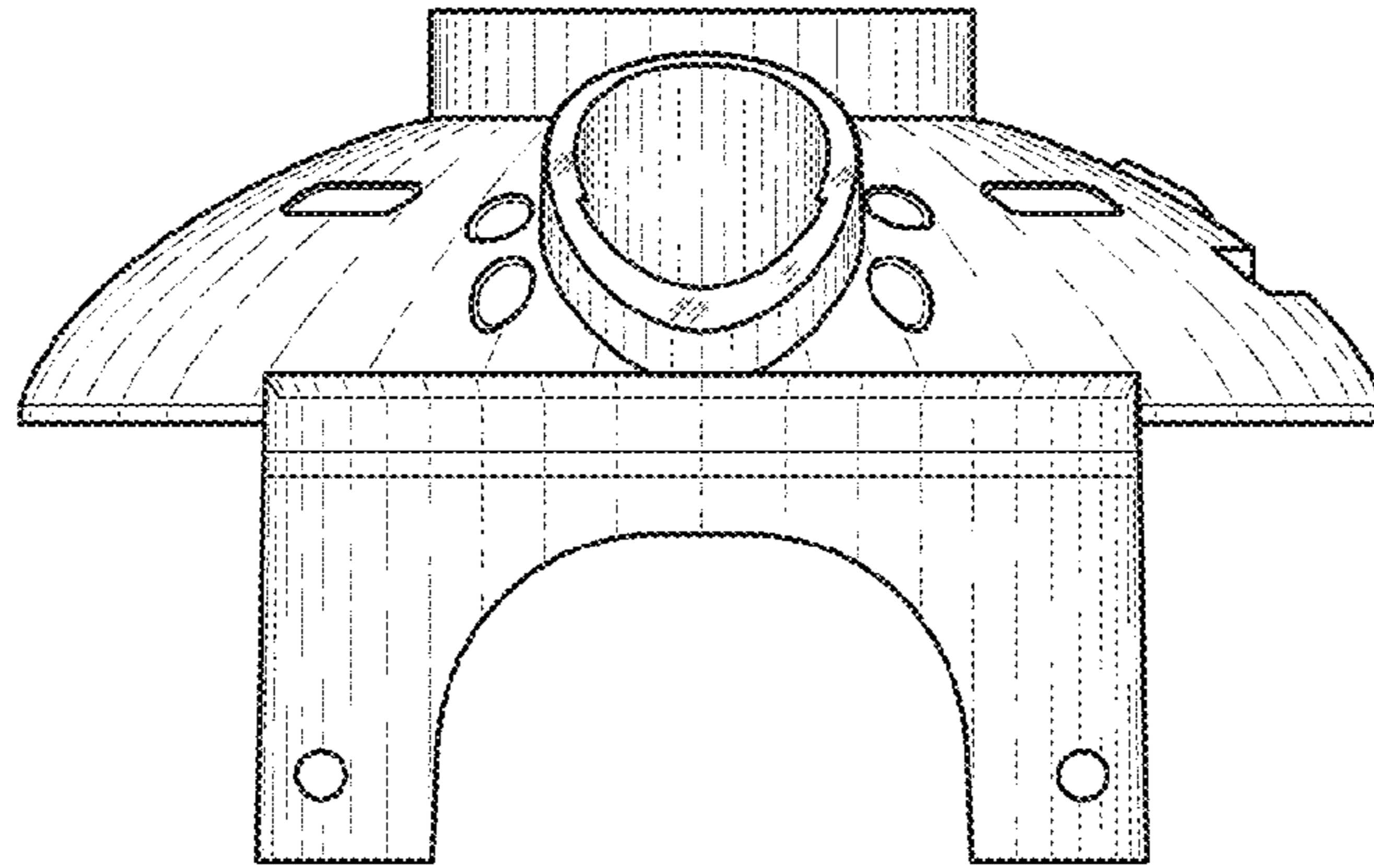


FIG. 3

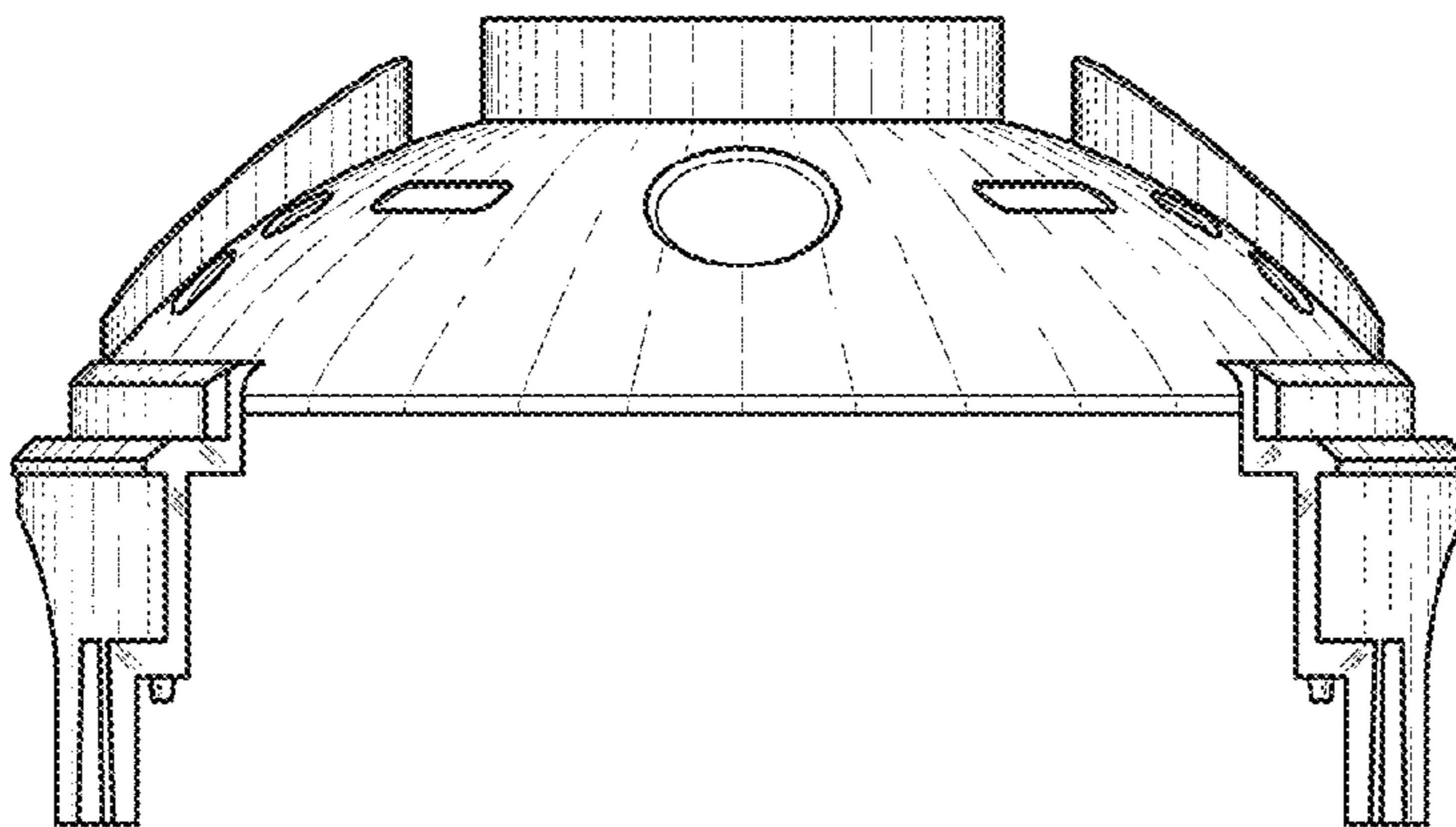


FIG. 4

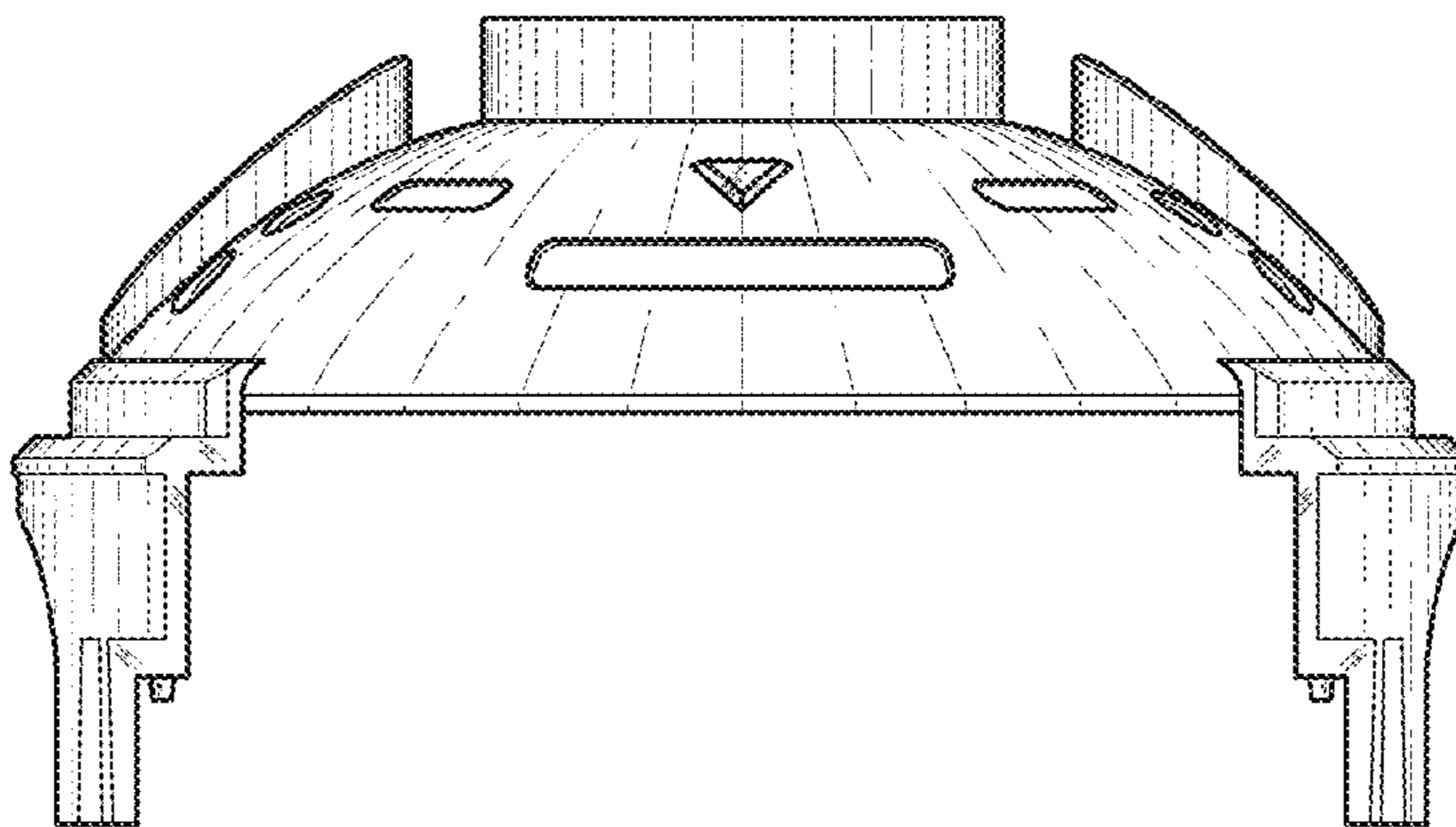


FIG. 5

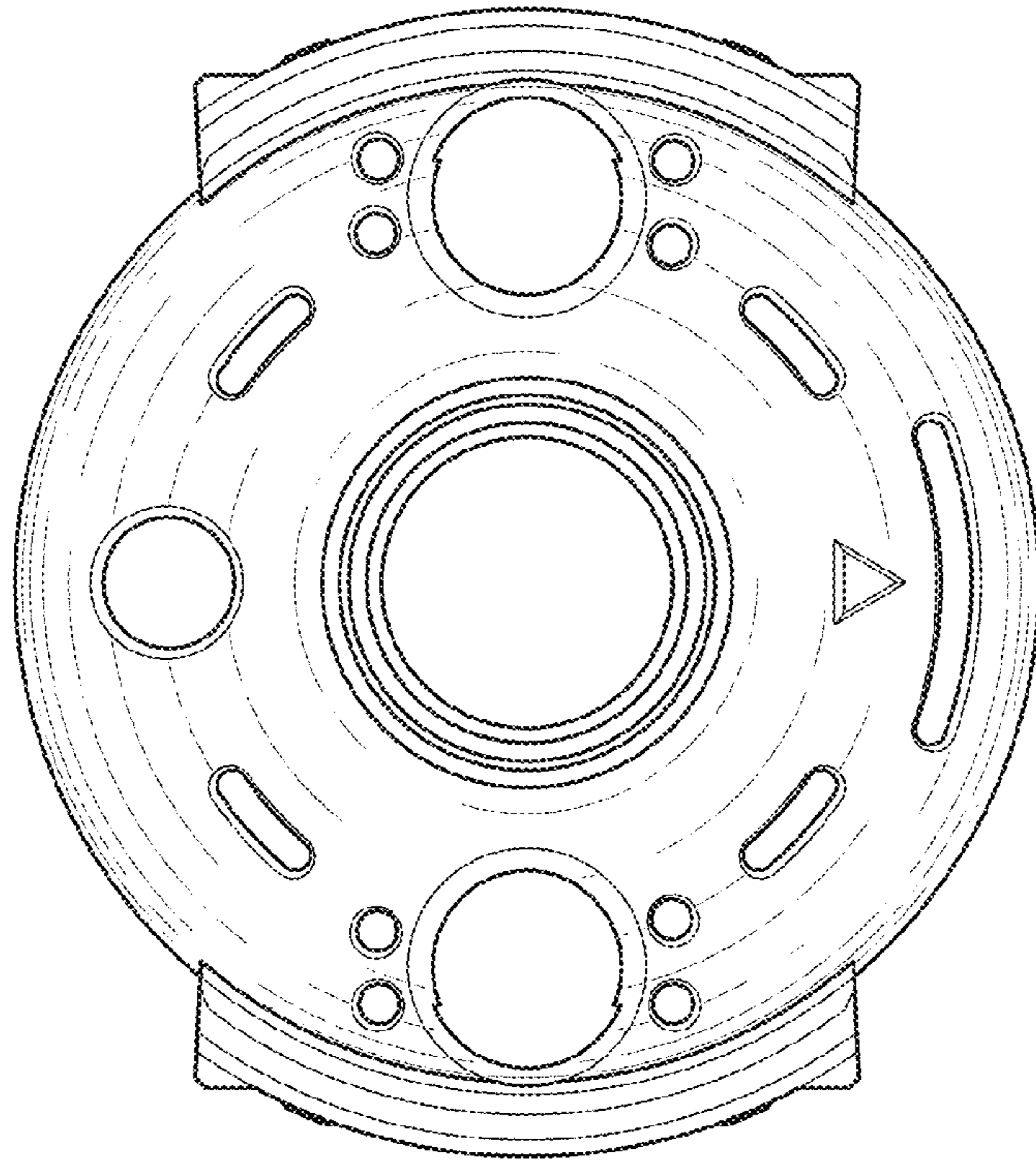


FIG. 6

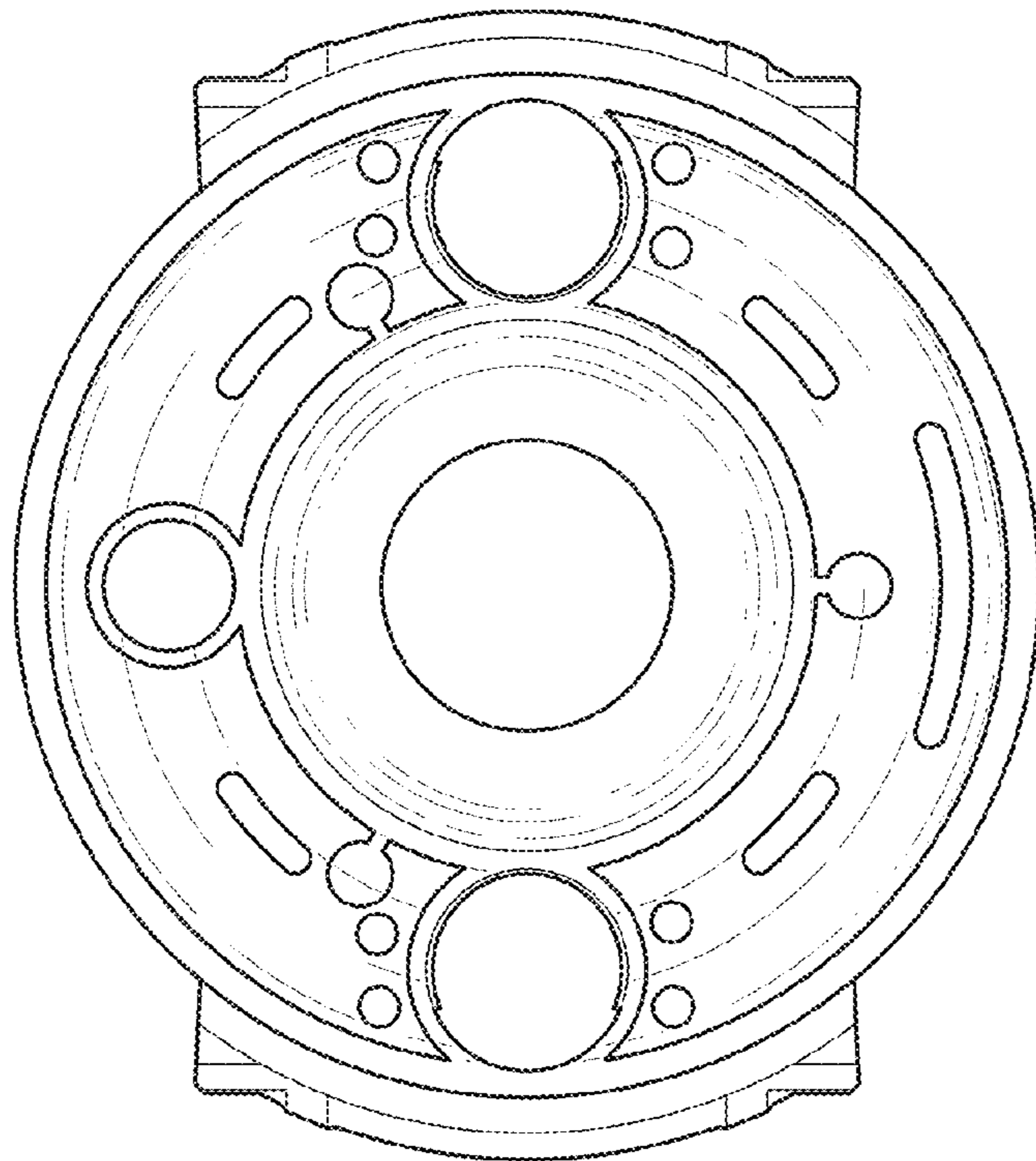


FIG. 7