



US00D745918S

(12) **United States Design Patent**  
**Lee**

(10) **Patent No.:** **US D745,918 S**  
(45) **Date of Patent:** **\*\* Dec. 22, 2015**

(54) **SURVEILLANCE CAMERA COVER**  
(71) Applicant: **POWERTECH ELECTRONICS Co., Ltd.**, Incheon (KR)  
(72) Inventor: **Cheong Ho Lee**, Incheon (KR)  
(73) Assignee: **POWERTECH ELECTRONICS Co., Ltd.**, Incheon (KR)  
(\*\*) Term: **14 Years**  
(21) Appl. No.: **29/508,601**  
(22) Filed: **Nov. 7, 2014**

(30) **Foreign Application Priority Data**  
May 7, 2014 (KR) ..... 30-2014-0022642  
(51) **LOC (10) Cl.** ..... **16-05**  
(52) **U.S. Cl.**  
USPC ..... **D16/219**  
(58) **Field of Classification Search**  
USPC ..... D16/200, 202, 203, 208, 218, 219;  
348/143, 151, 373-374; 396/427,  
396/535-541  
CPC ..... G03B 17/00; G03B 17/02; H04N 5/2251;  
H04N 5/2252; H04N 5/2253; H04N 5/772  
See application file for complete search history.

(56) **References Cited**  
U.S. PATENT DOCUMENTS  
4,651,144 A \* 3/1987 Pagano ..... G08B 13/19632  
340/541  
6,525,766 B1 \* 2/2003 Ikoma ..... G08B 13/19619  
348/151  
D556,235 S \* 11/2007 Todd ..... D16/200

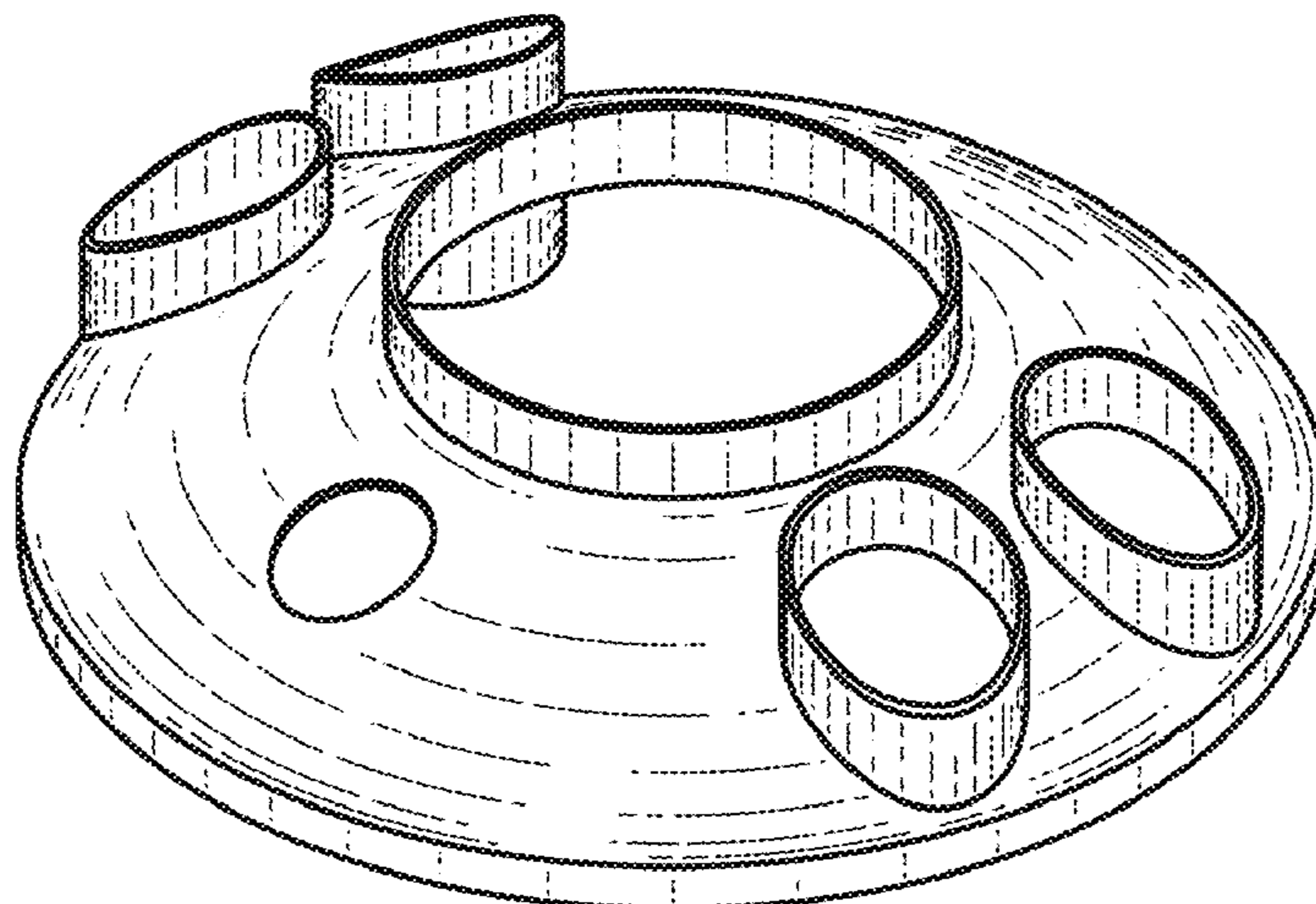
D560,247 S \* 1/2008 Alm ..... D16/219  
D561,220 S \* 2/2008 Alm ..... D16/203  
D575,810 S \* 8/2008 Alm ..... D16/203  
7,586,537 B2 \* 9/2009 Konishi ..... H04N 5/2251  
348/373  
7,841,782 B2 \* 11/2010 Tatewaki ..... G03B 17/02  
396/427

\* cited by examiner  
*Primary Examiner* — Adir Aronovich  
(74) *Attorney, Agent, or Firm* — David W. Anderson; Abel Law Group, LLP

(57) **CLAIM**  
The ornamental design for a surveillance camera cover, as shown and described.

**DESCRIPTION**  
FIG. 1 includes a top perspective view of a surveillance camera cover;  
FIG. 2 includes a front elevation view of the surveillance camera cover of FIG. 1;  
FIG. 3 includes a rear elevation view of the surveillance camera cover of FIG. 1;  
FIG. 4 includes a left side elevation view of the surveillance camera cover of FIG. 1;  
FIG. 5 includes a right side perspective view of the surveillance camera cover of FIG. 1;  
FIG. 6 includes a top plan view of the surveillance camera cover of FIG. 1; and,  
FIG. 7 includes a bottom plan view of the surveillance camera cover of FIG. 1.

**1 Claim, 3 Drawing Sheets**



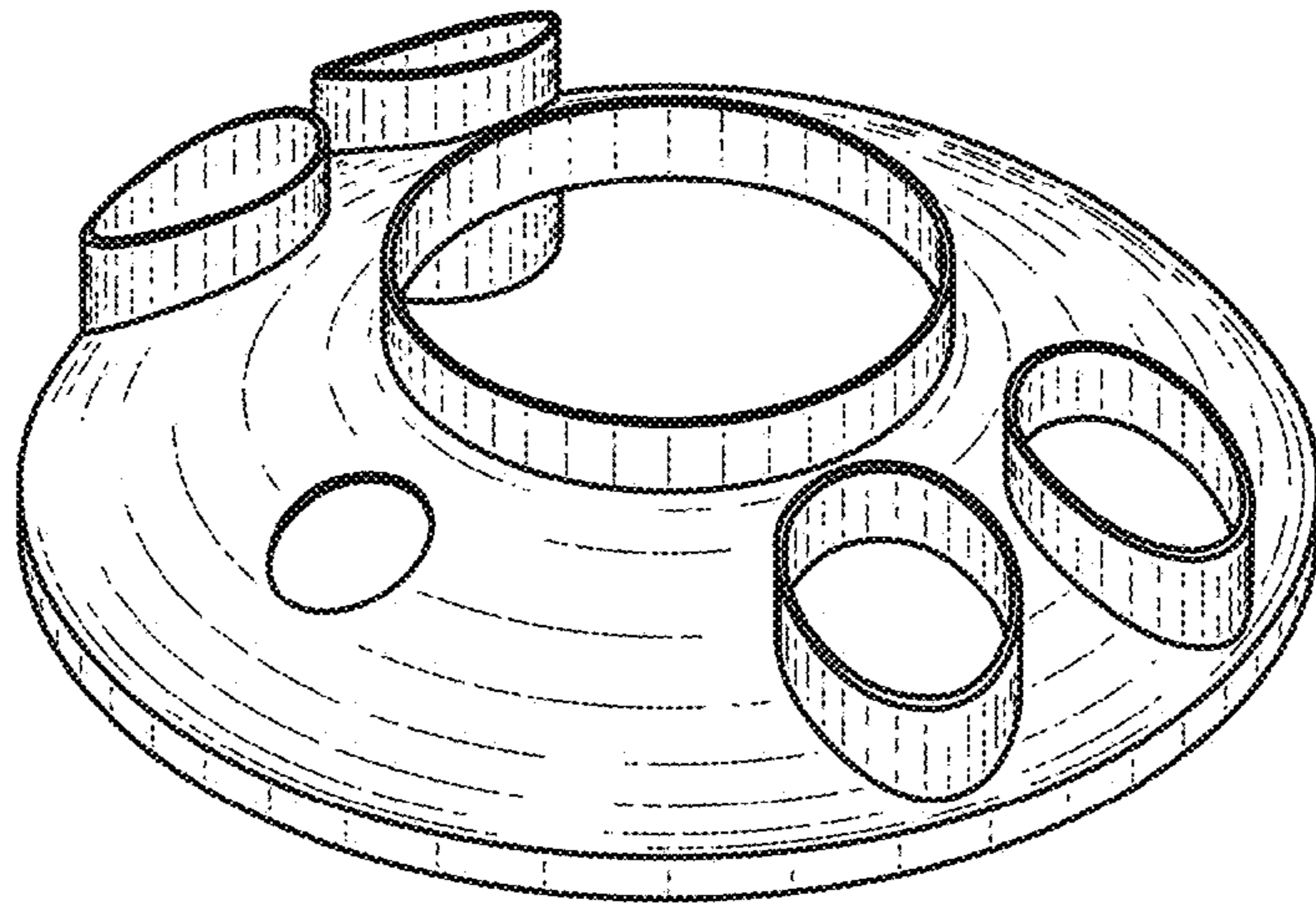


FIG. 1

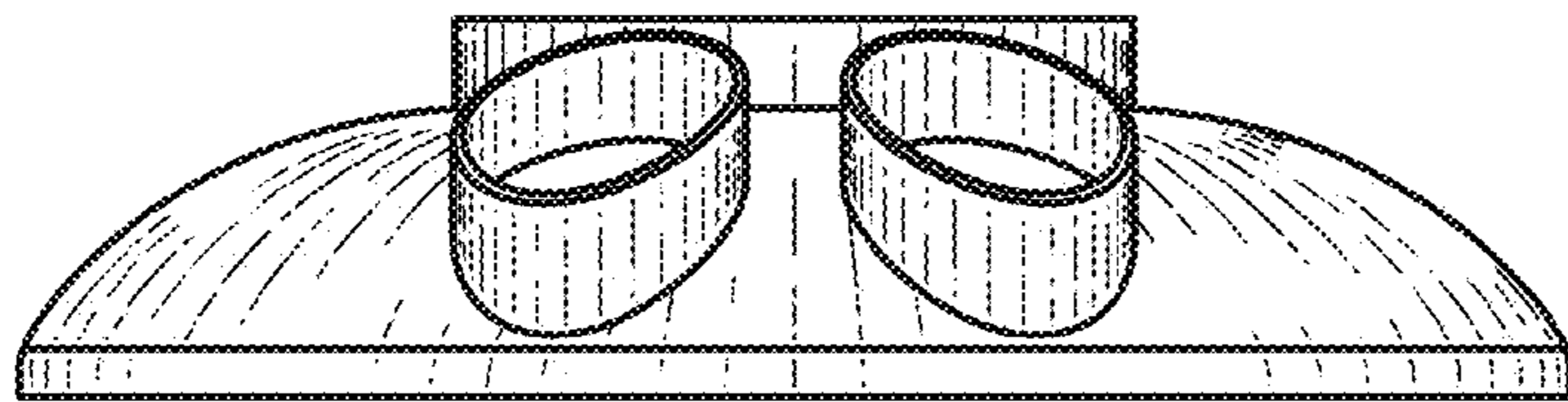


FIG. 2

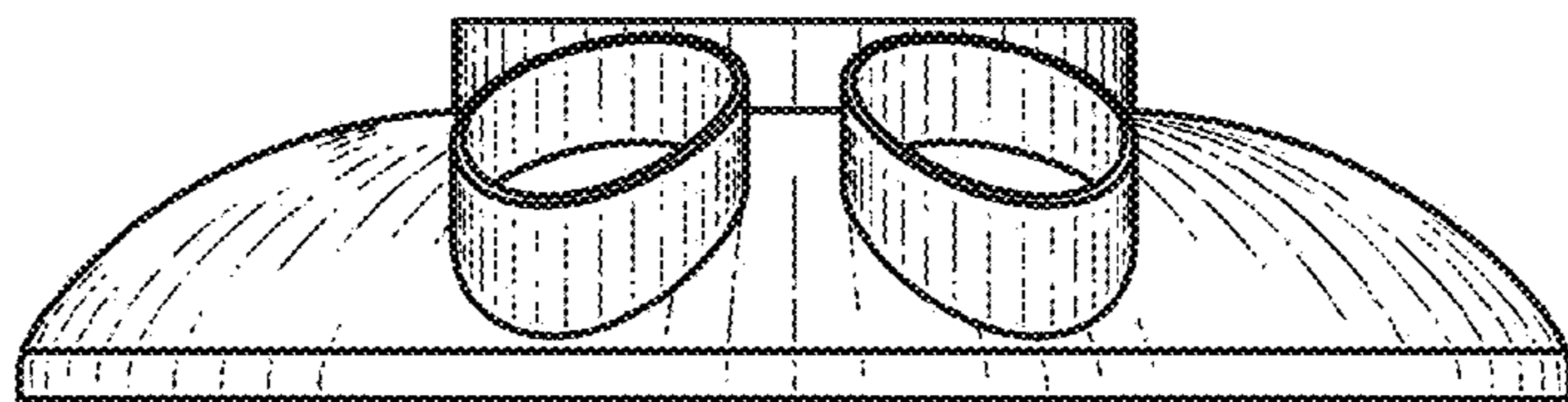


FIG. 3

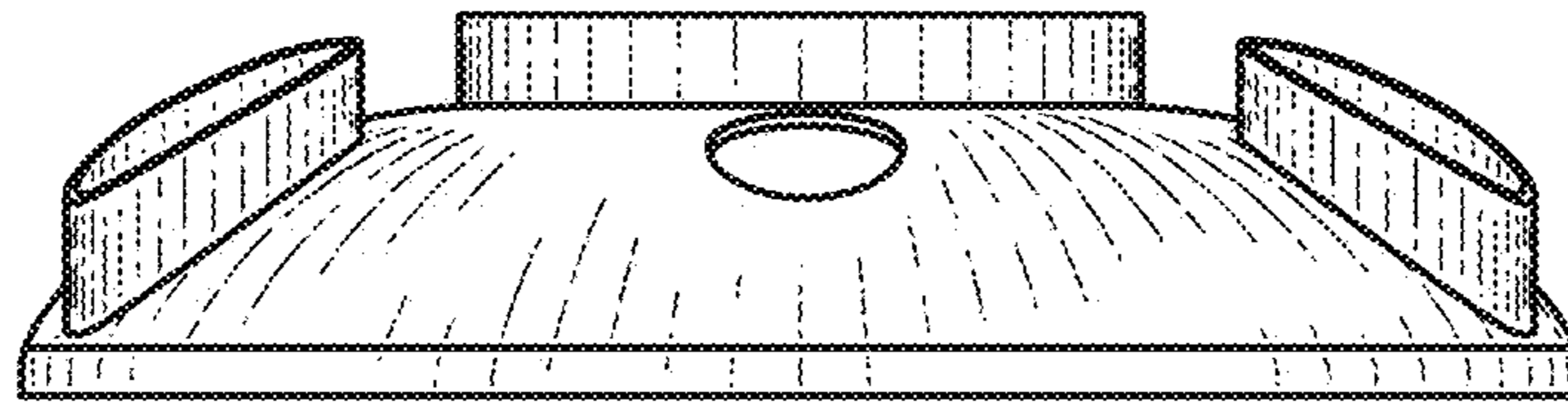


FIG. 4

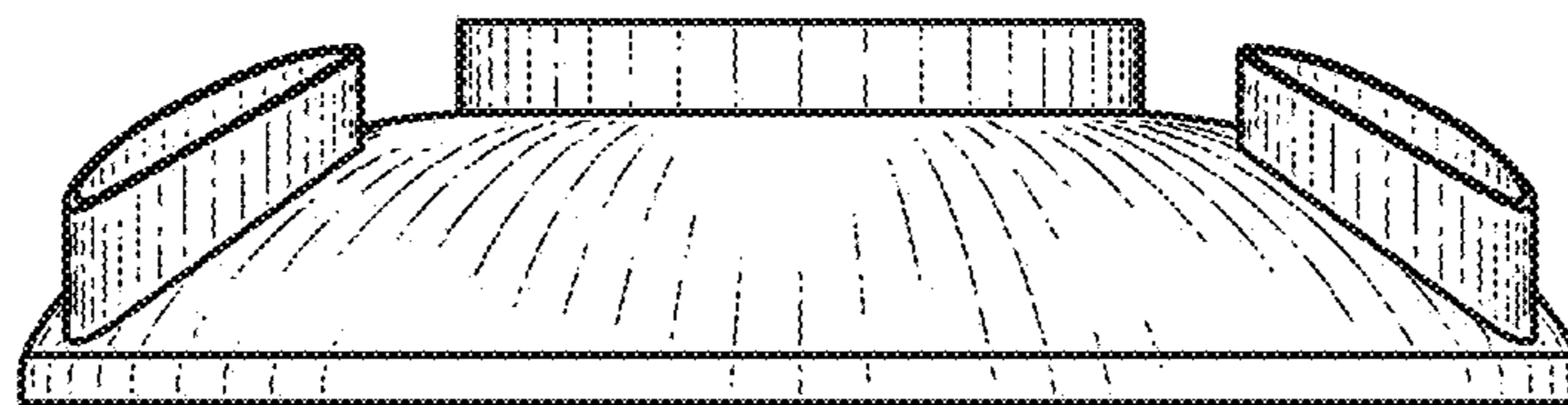


FIG. 5

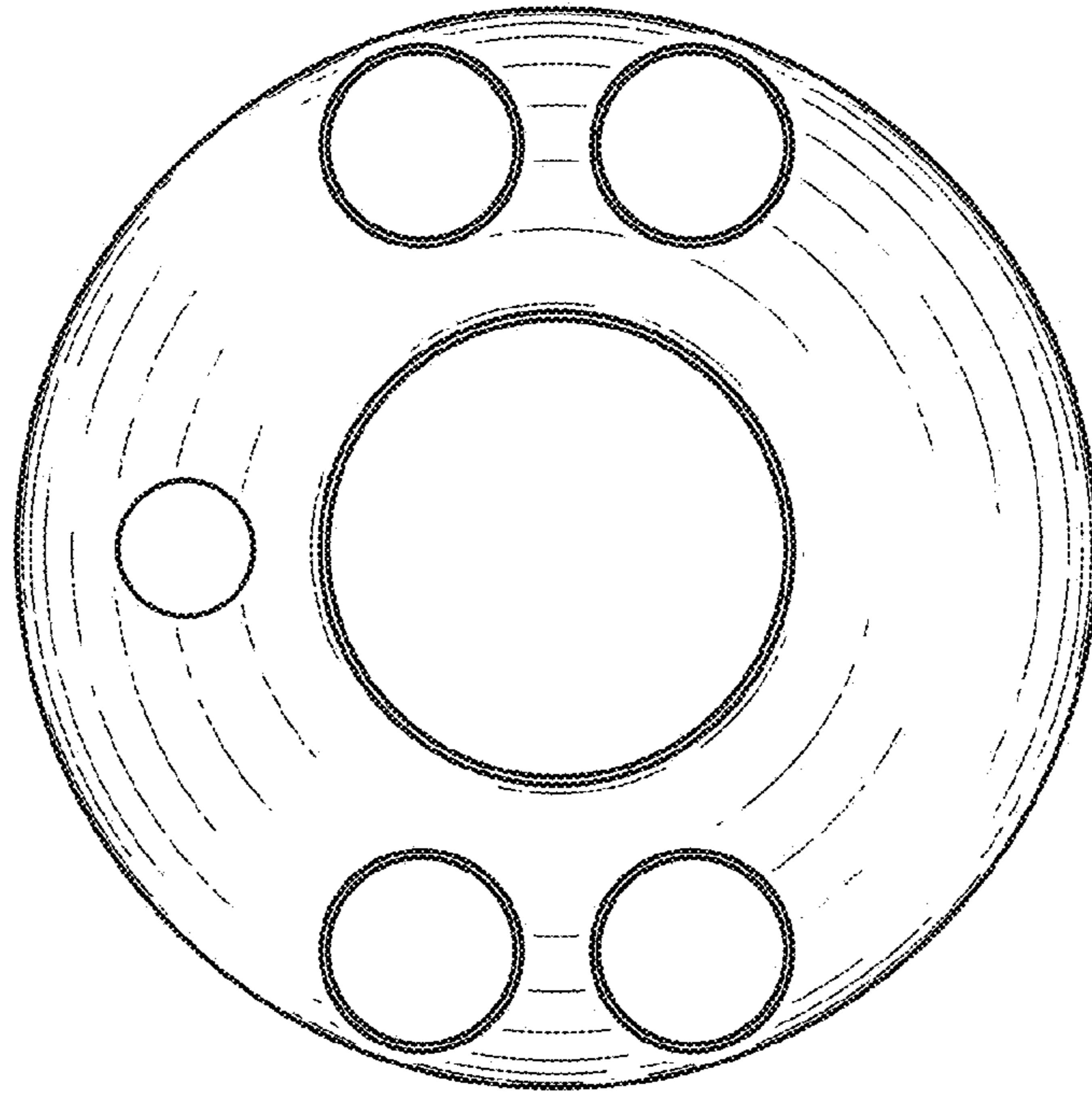


FIG. 6

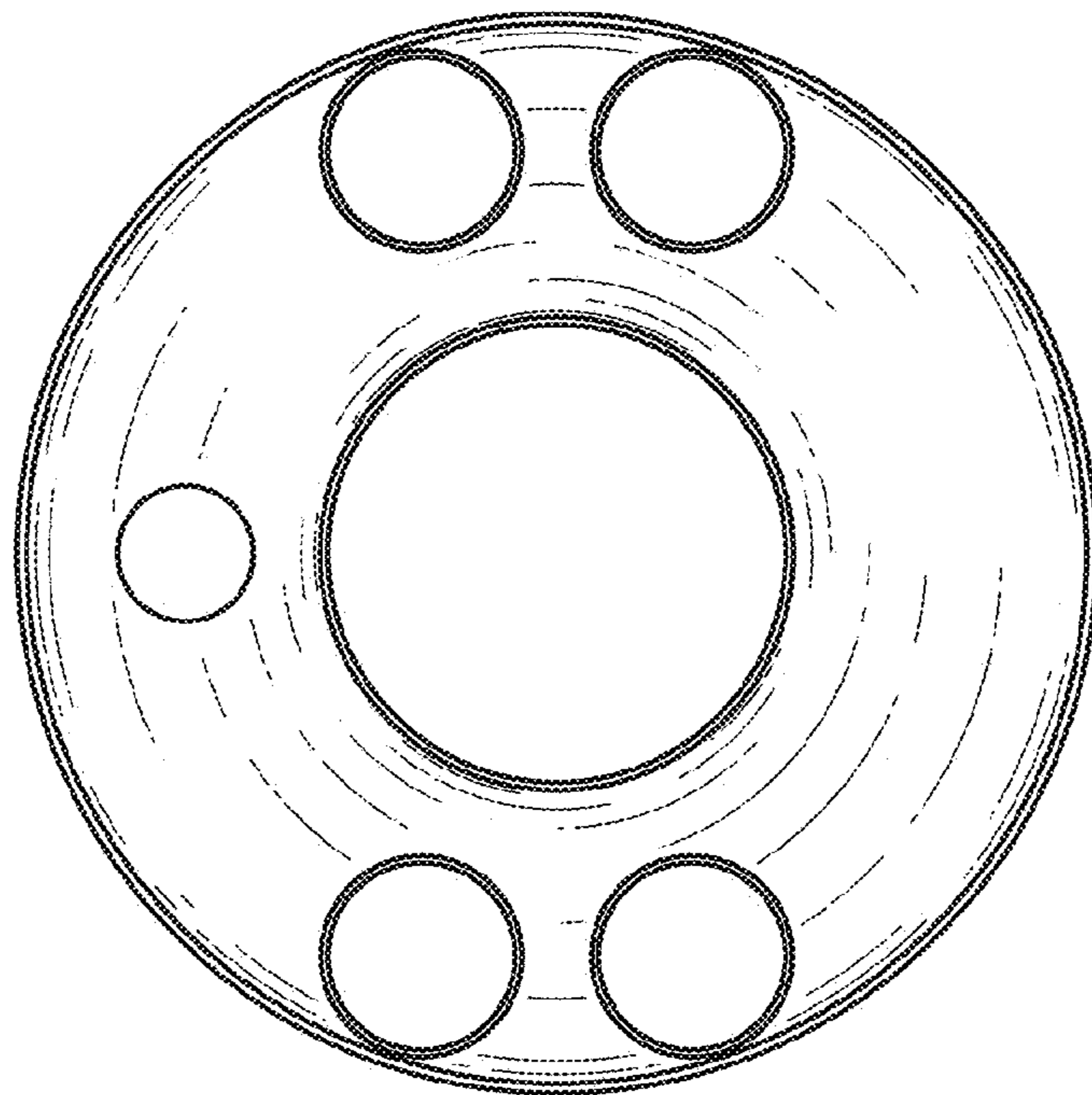


FIG. 7