



US00D745917S

(12) **United States Design Patent**
Oh

(10) **Patent No.:** **US D745,917 S**

(45) **Date of Patent:** **** Dec. 22, 2015**

(54) **ADAPTER FOR CAMERA LENS**

(56) **References Cited**

(71) Applicant: **Samsung Electronics Co., Ltd.**,
Suwon-si, Gyeonggi-do (KR)

U.S. PATENT DOCUMENTS

(72) Inventor: **San-Hui Oh**, Seoul (KR)

D389,500	S	*	1/1998	Krekelberg	D16/202
D500,067	S	*	12/2004	Liu	D16/202
7,173,197	B1	*	2/2007	Kasperek	358/909.1
D555,183	S	*	11/2007	Kasperek	D16/219
D555,691	S	*	11/2007	Kato et al.	D16/203
D563,446	S	*	3/2008	Stephens et al.	D16/202
D716,863	S	*	11/2014	Zutell et al.	D16/203
D719,205	S	*	12/2014	Matsumoto	D16/206

(73) Assignee: **SAMSUNG ELECTRONICS CO., LTD.** (KR)

(**) Term: **14 Years**

* cited by examiner

(21) Appl. No.: **29/501,962**

Primary Examiner — Adir Aronovich

(22) Filed: **Sep. 10, 2014**

(74) *Attorney, Agent, or Firm* — Cantor Colburn LLP

(30) **Foreign Application Priority Data**

(57) **CLAIM**

The ornamental design for an adapter for camera lens, as shown and described.

Mar. 19, 2014 (KR) 30-2014-0013582

DESCRIPTION

(51) **LOC (10) Cl.** **16-05**

(52) **U.S. Cl.**
USPC **D16/219**; D16/136

(58) **Field of Classification Search**
USPC D16/134, 136, 200, 202, 206, 214, 218,
D16/219, 237, 242; 348/373-374;
358/909.1; 359/826-828;
396/529-532, 535, 539-541
CPC G03B 17/02; G03B 19/04; G03B 17/56;
G03B 17/04; G03B 15/03; G03B 17/14;
H04N 5/2251; H04N 5/2252; H04N 5/2253;
H04N 5/2254

FIG. 1 is a front perspective view of an adapter for camera lens showing my new design;
FIG. 2 is front elevational view thereof;
FIG. 3 is rear elevational view thereof;
FIG. 4 is a left side elevational view thereof;
FIG. 5 is a right side elevational view thereof;
FIG. 6 is a top plan view thereof; and,
FIG. 7 is a bottom plan view thereof.

The broken lines depict the portions of an adapter for camera lens in which the design is embodied and form no part of the claimed design.

See application file for complete search history.

1 Claim, 5 Drawing Sheets

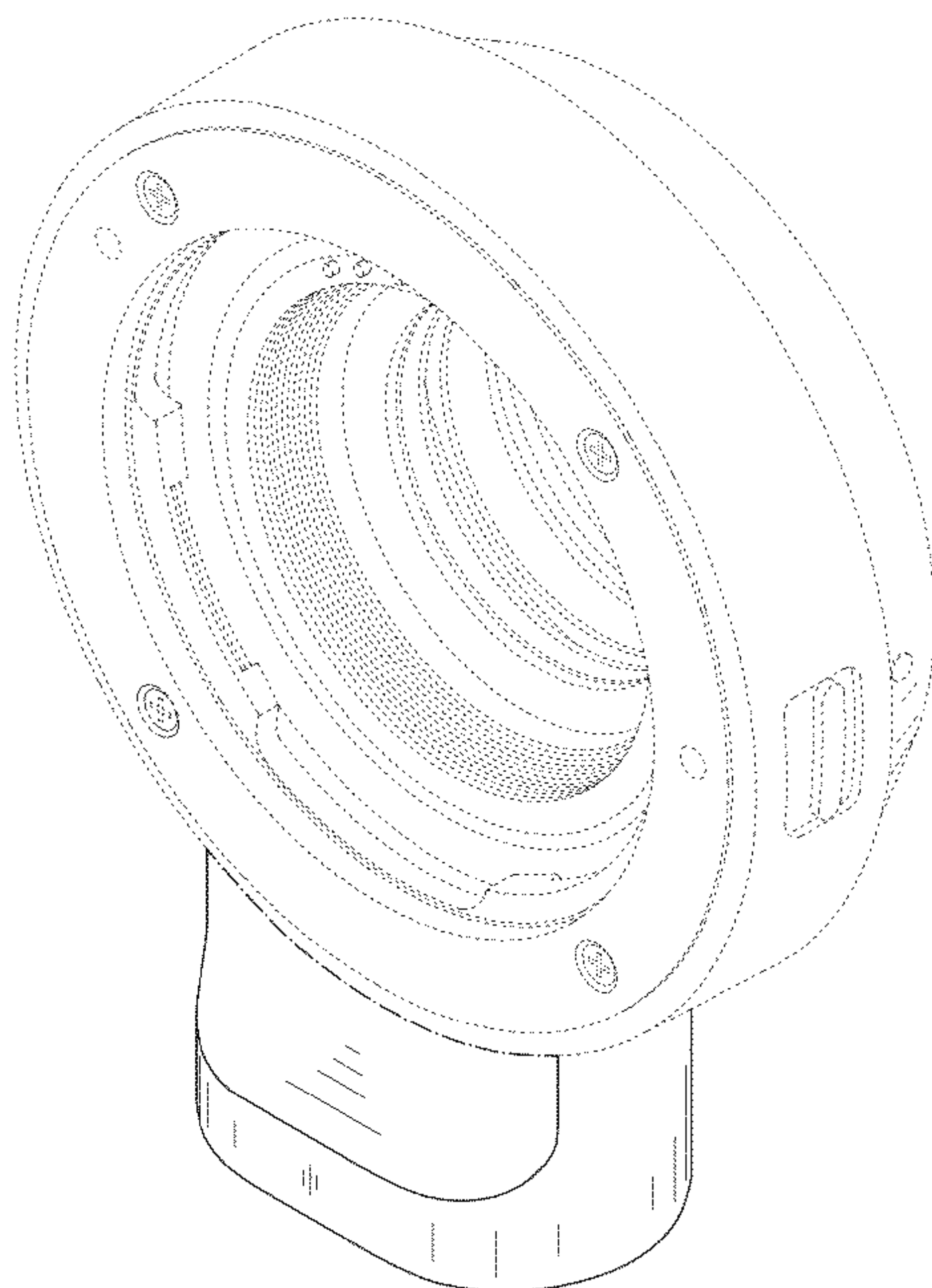


FIG. 1

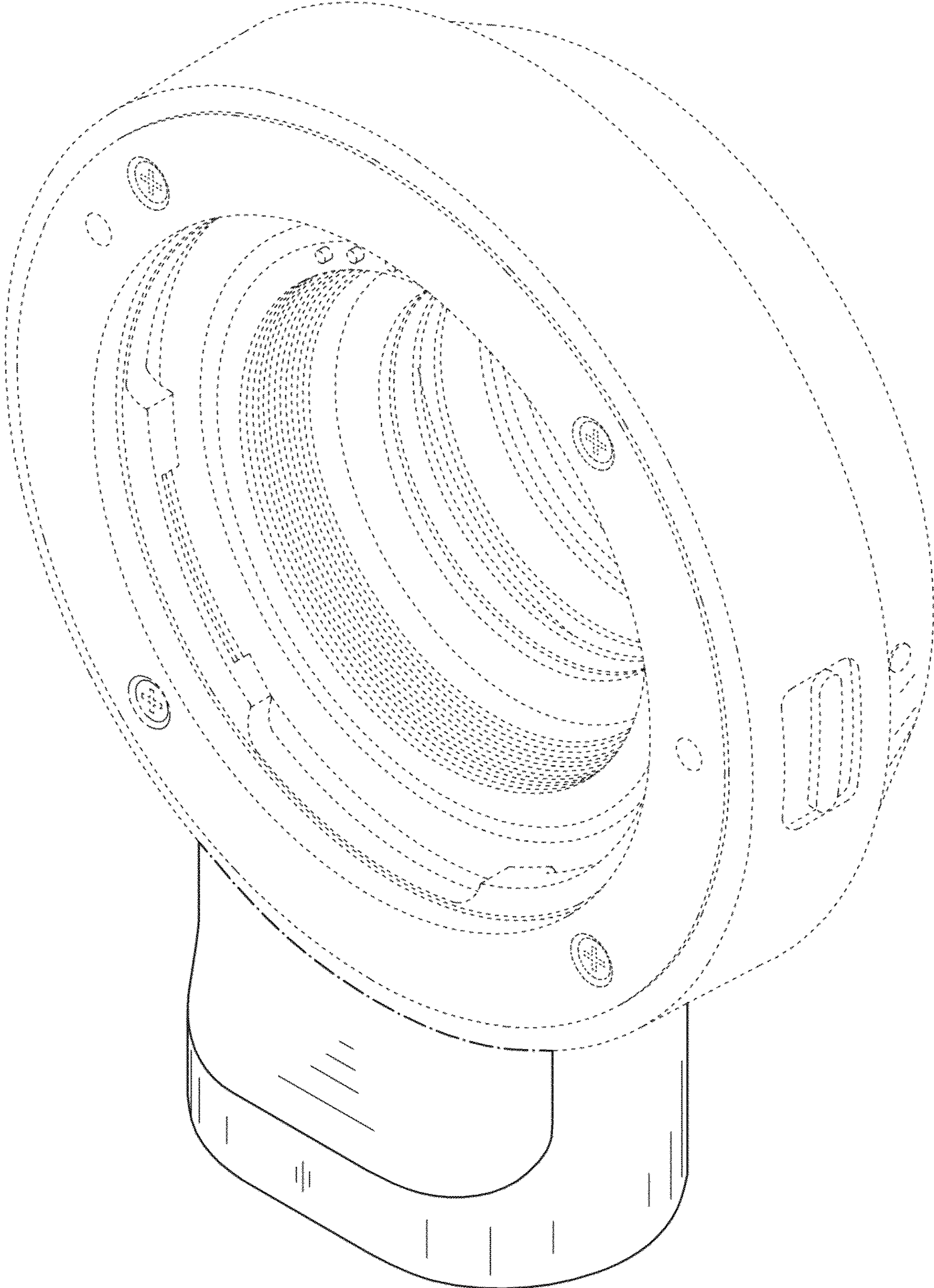


FIG. 2

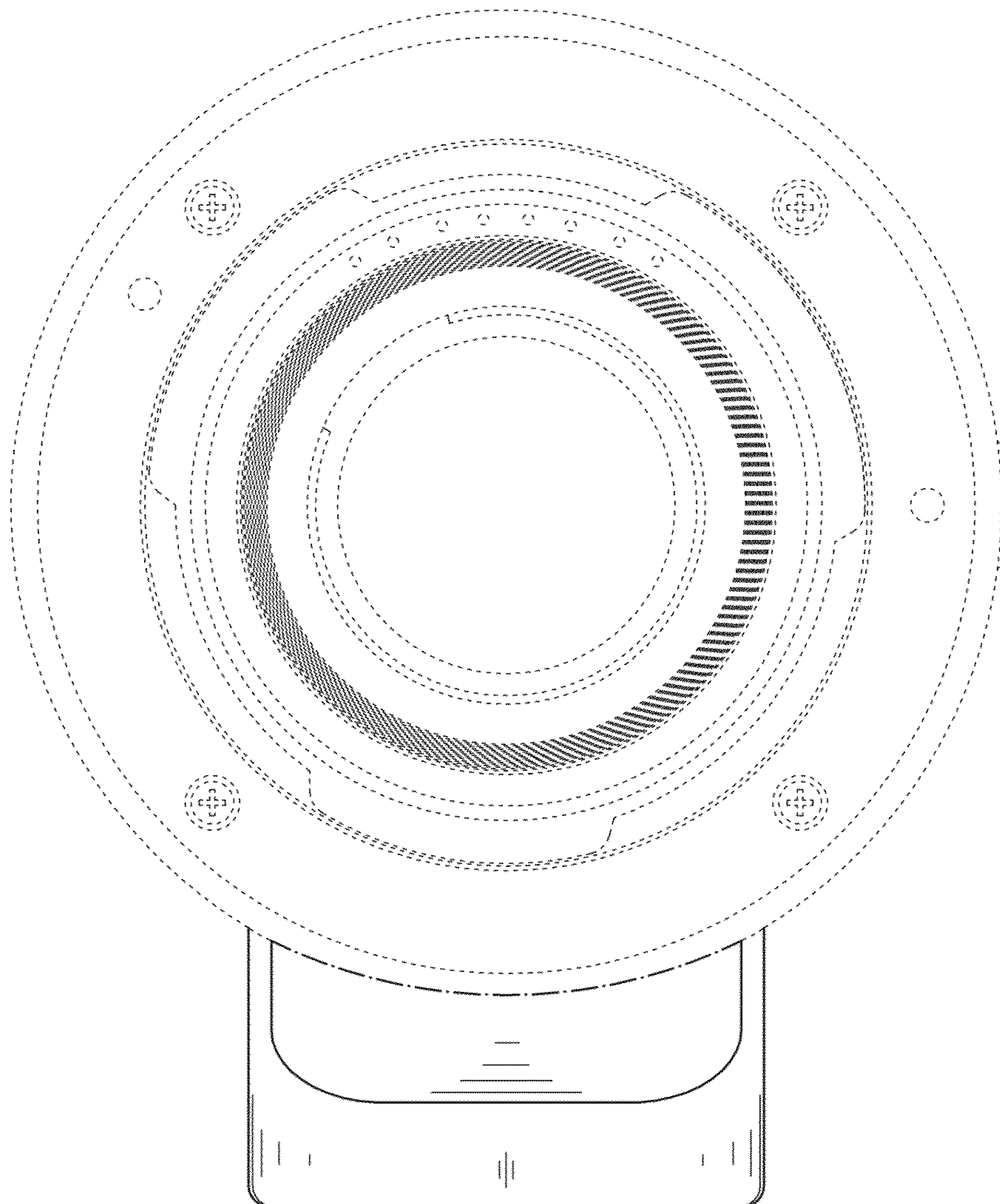


FIG. 3

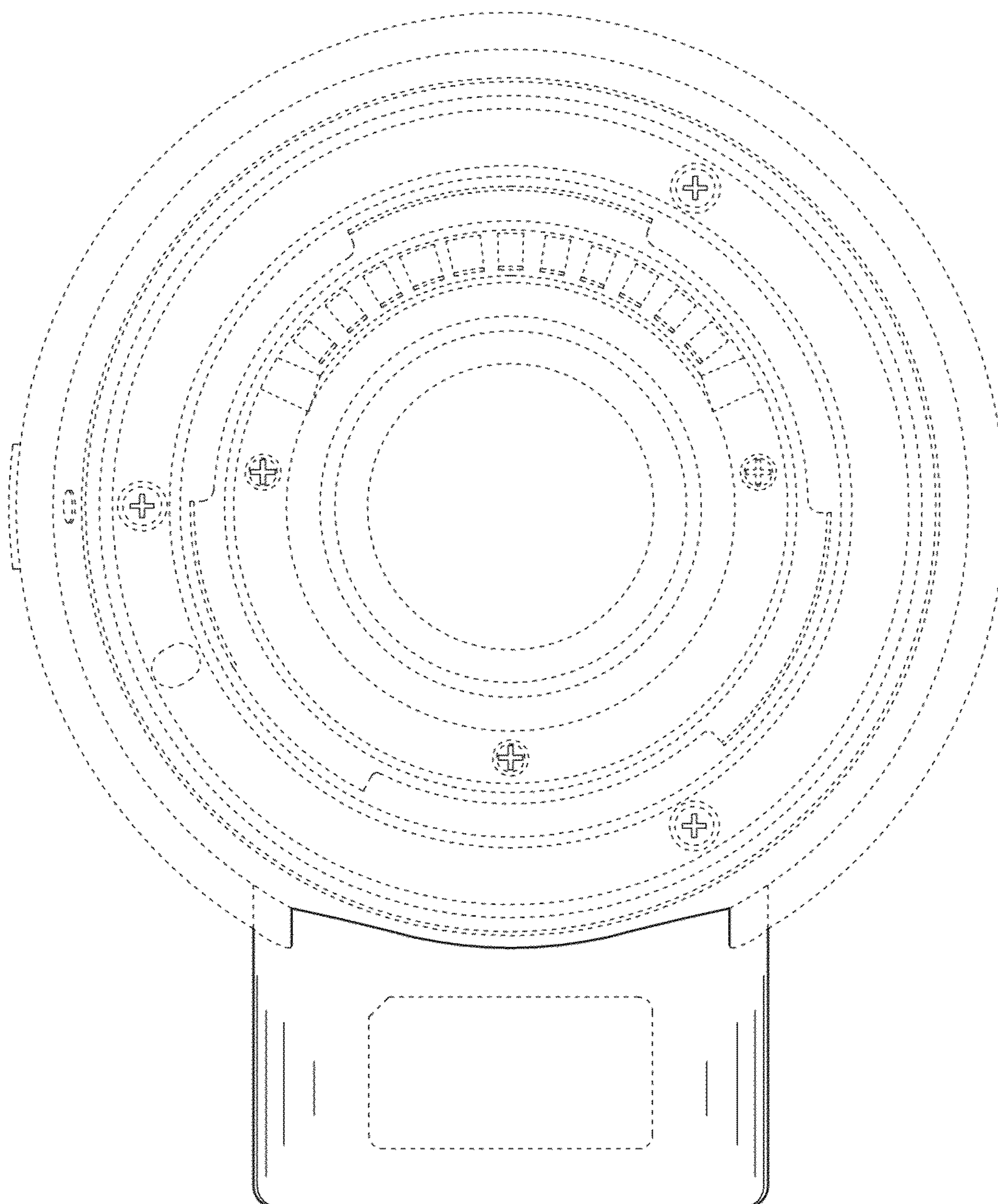


FIG. 4

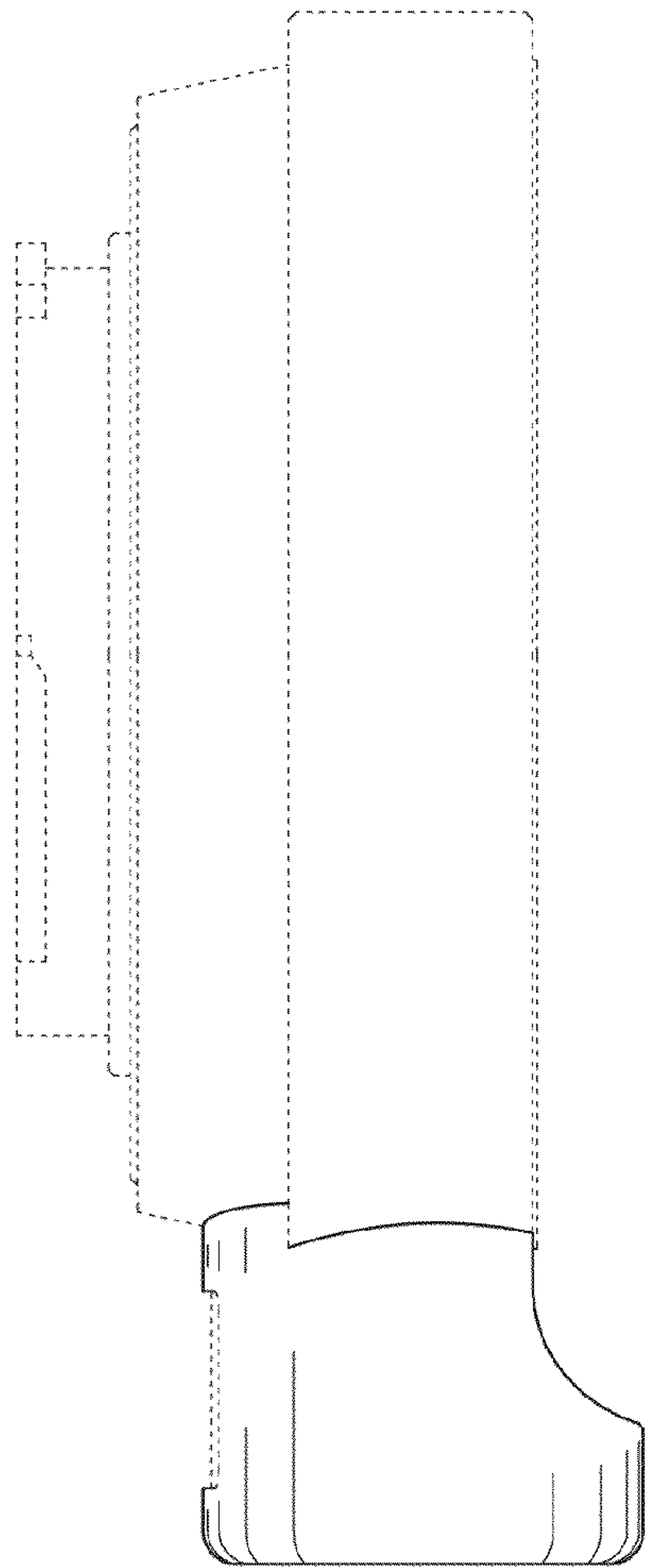


FIG. 5

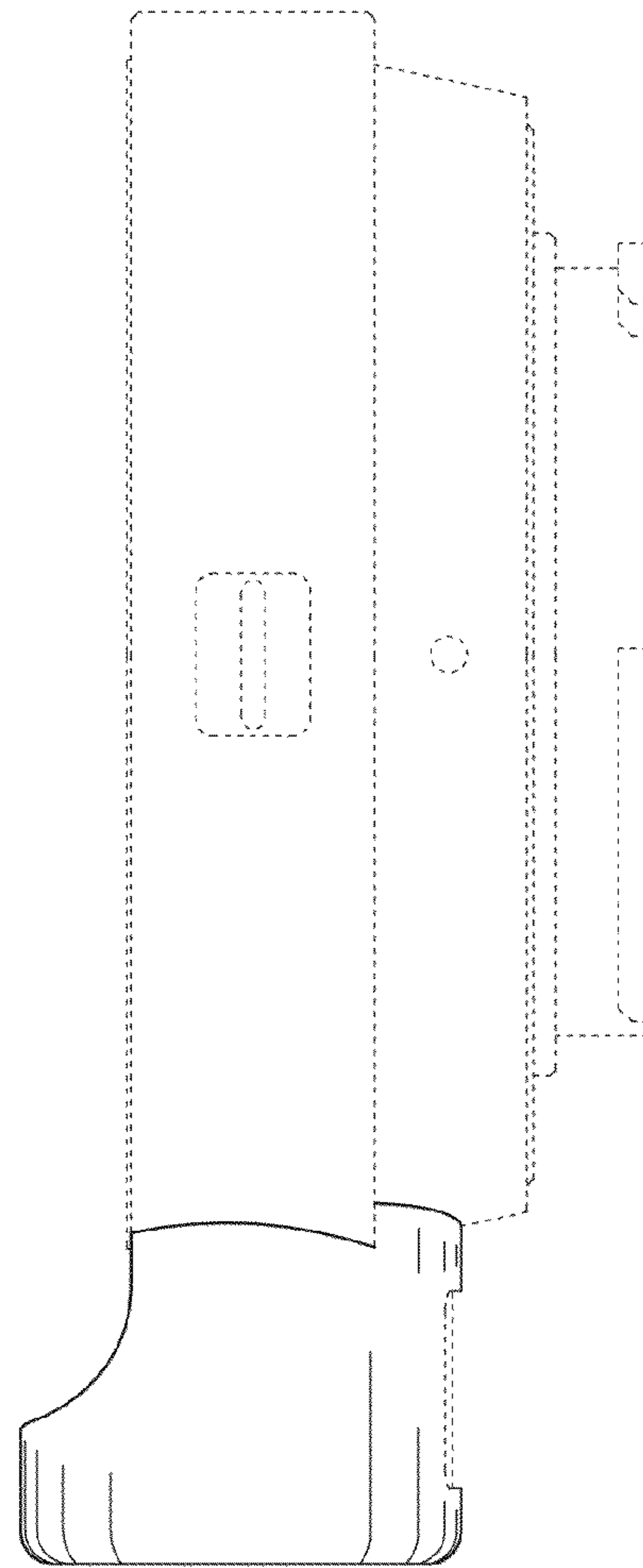


FIG. 6

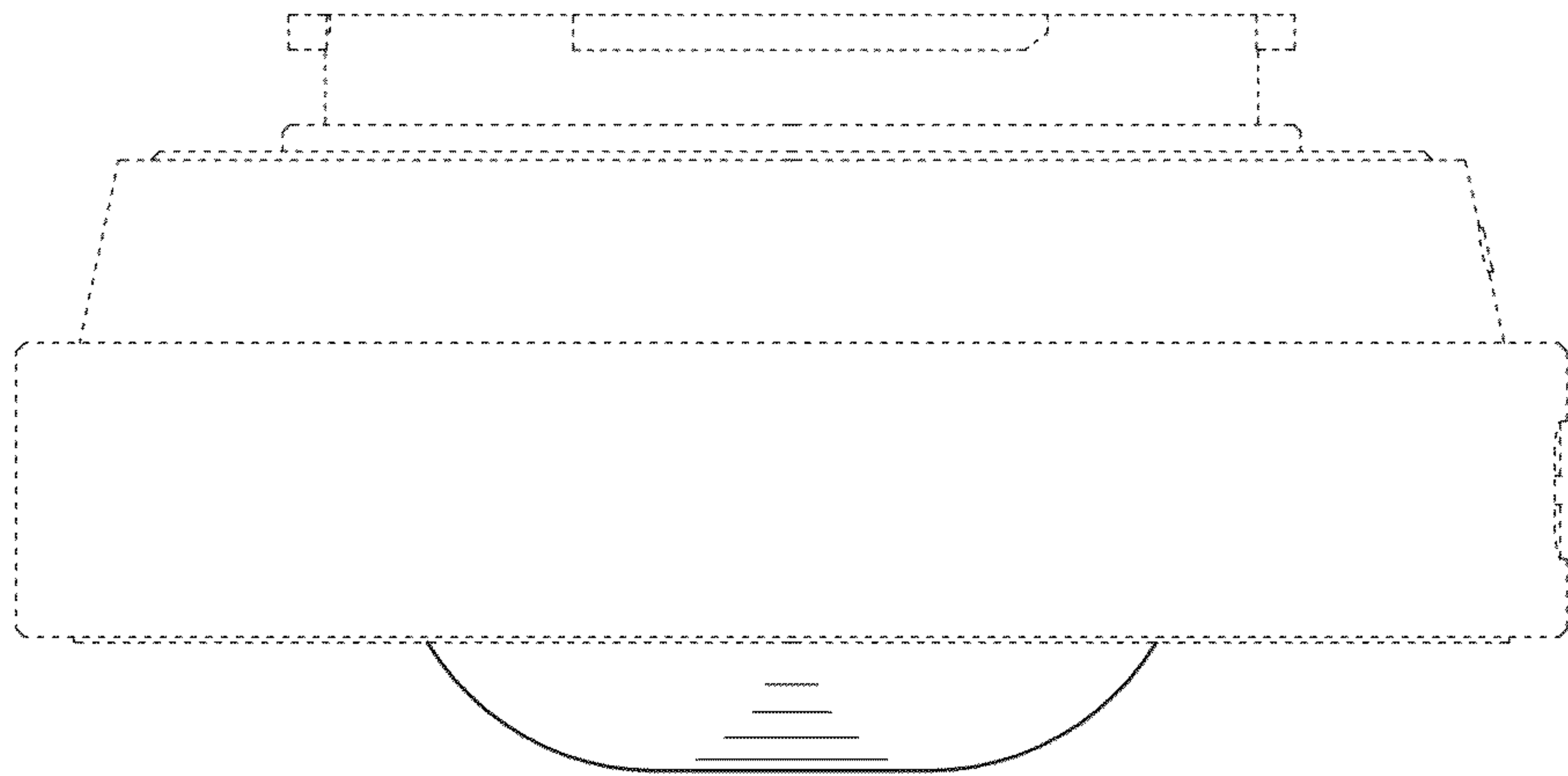


FIG. 7

