

US00D745916S

(12) **United States Design Patent**
Oh

(10) **Patent No.:** **US D745,916 S**

(45) **Date of Patent:** **** Dec. 22, 2015**

(54) **LENS FOR CAMERA**

(56) **References Cited**

(71) Applicant: **Samsung Electronics Co., Ltd.**,
Suwon-si (KR)

U.S. PATENT DOCUMENTS

(72) Inventor: **San-Hui Oh**, Seoul (KR)

D302,169	S	*	7/1989	Kimura et al.	D16/134
D305,079	S	*	12/1989	Tsuji	D16/136
5,218,484	A	*	6/1993	Terai	359/827
D481,988	S	*	11/2003	Wachendorf	D12/500
D496,379	S	*	9/2004	Do	D16/134
D505,437	S	*	5/2005	Do	D16/219
D510,945	S	*	10/2005	Do	D16/134
D530,525	S	*	10/2006	Greene, II	D6/309
D580,466	S	*	11/2008	Pola	D16/135
7,853,137	B2	*	12/2010	Yang	396/531
D727,989	S	*	4/2015	Hasuda	D16/134

(73) Assignee: **SAMSUNG ELECTRONICS CO., LTD.** (KR)

(**) Term: **14 Years**

* cited by examiner

(21) Appl. No.: **29/501,957**

Primary Examiner — Adir Aronovich

(22) Filed: **Sep. 10, 2014**

(74) *Attorney, Agent, or Firm* — Cantor Colburn LLP

(30) **Foreign Application Priority Data**

(57) **CLAIM**

Mar. 19, 2014 (KR) 30-2014-0013579

The ornamental design for a lens for camera, as shown and described.

(51) **LOC (10) Cl.** **16-05**

DESCRIPTION

(52) **U.S. Cl.**
USPC **D16/219**; D16/134

FIG. 1 is a front perspective view of a lens for camera showing my new design;
FIG. 2 is front elevational view thereof;
FIG. 3 is rear elevational view thereof;
FIG. 4 is a right side elevational view thereof;
FIG. 5 is a left side elevational view thereof;
FIG. 6 is a top plan view thereof; and,
FIG. 7 is a bottom plan view thereof.
The broken lines depict the portions of a lens for camera in which the design is embodied and form no part of the claimed design.

(58) **Field of Classification Search**
USPC D16/134, 136, 200, 202–205, 218, 219;
348/373–376; 359/826–828;
396/529–532, 535, 539–541
CPC G03B 17/02; G03B 19/04; G03B 17/56;
G03B 17/04; G03B 15/03; G03B 17/14;
H04N 5/2251; H04N 5/2252; H04N 5/2253;
H04N 5/2254

See application file for complete search history.

1 Claim, 4 Drawing Sheets

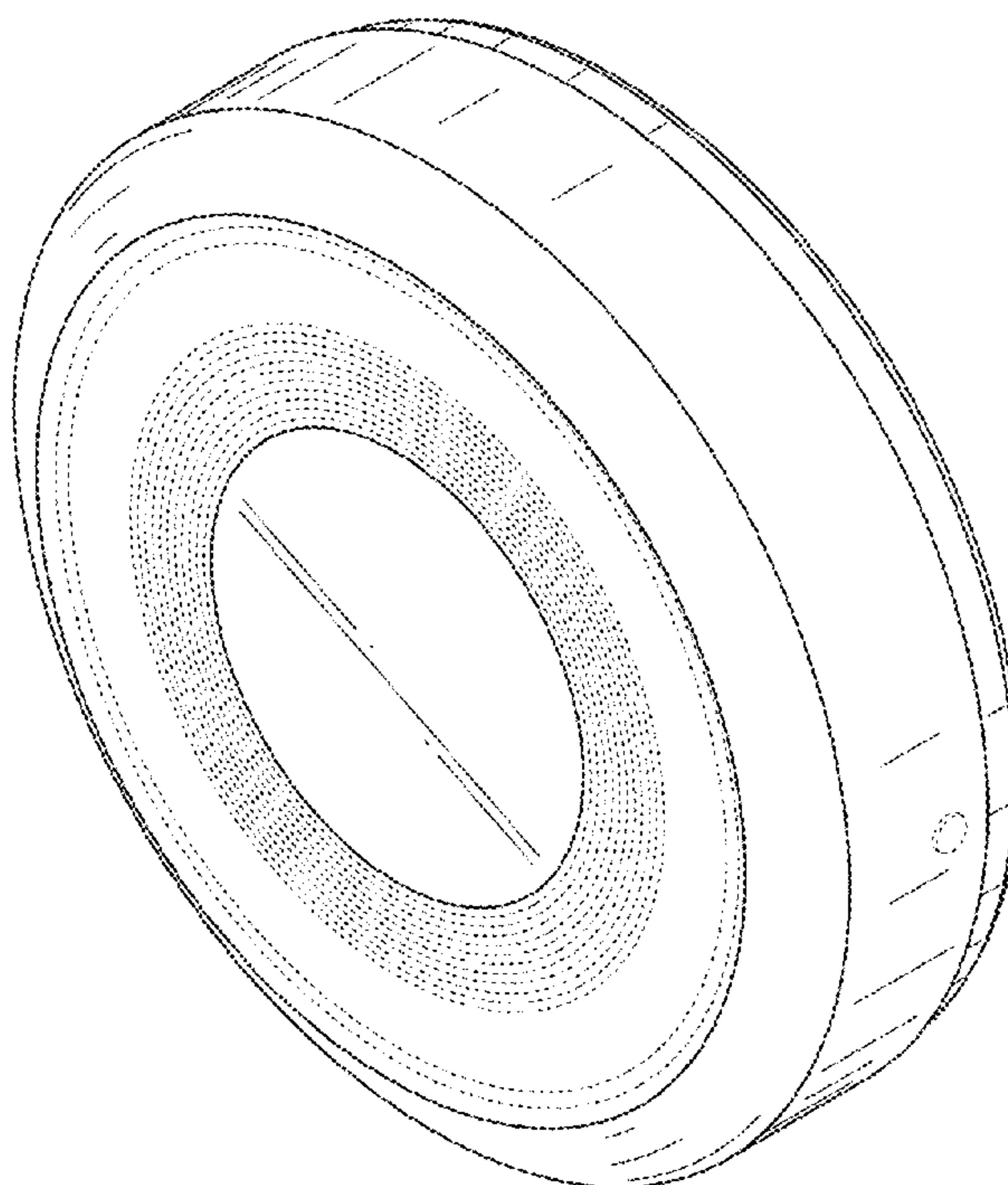


FIG. 1

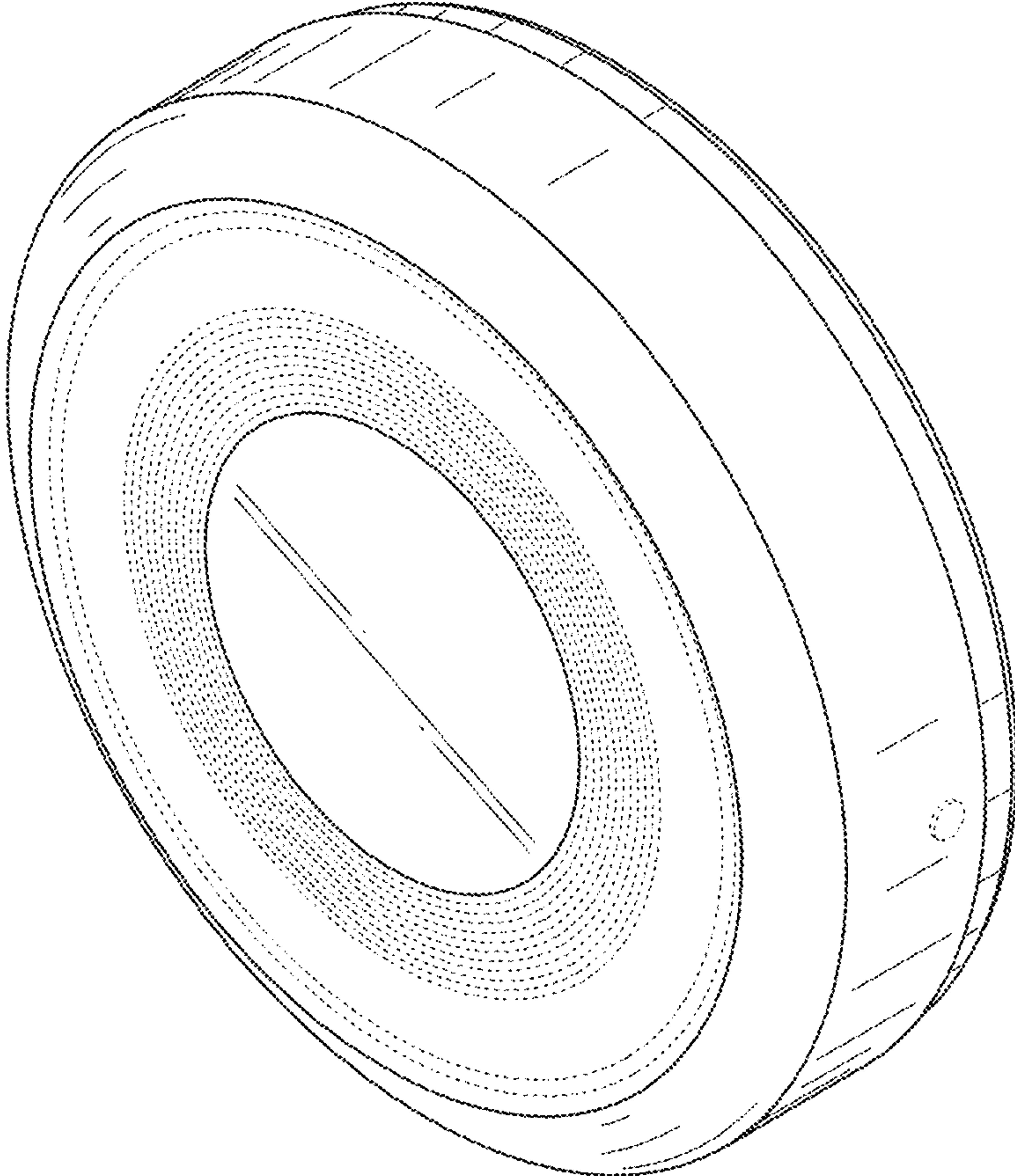


FIG. 2

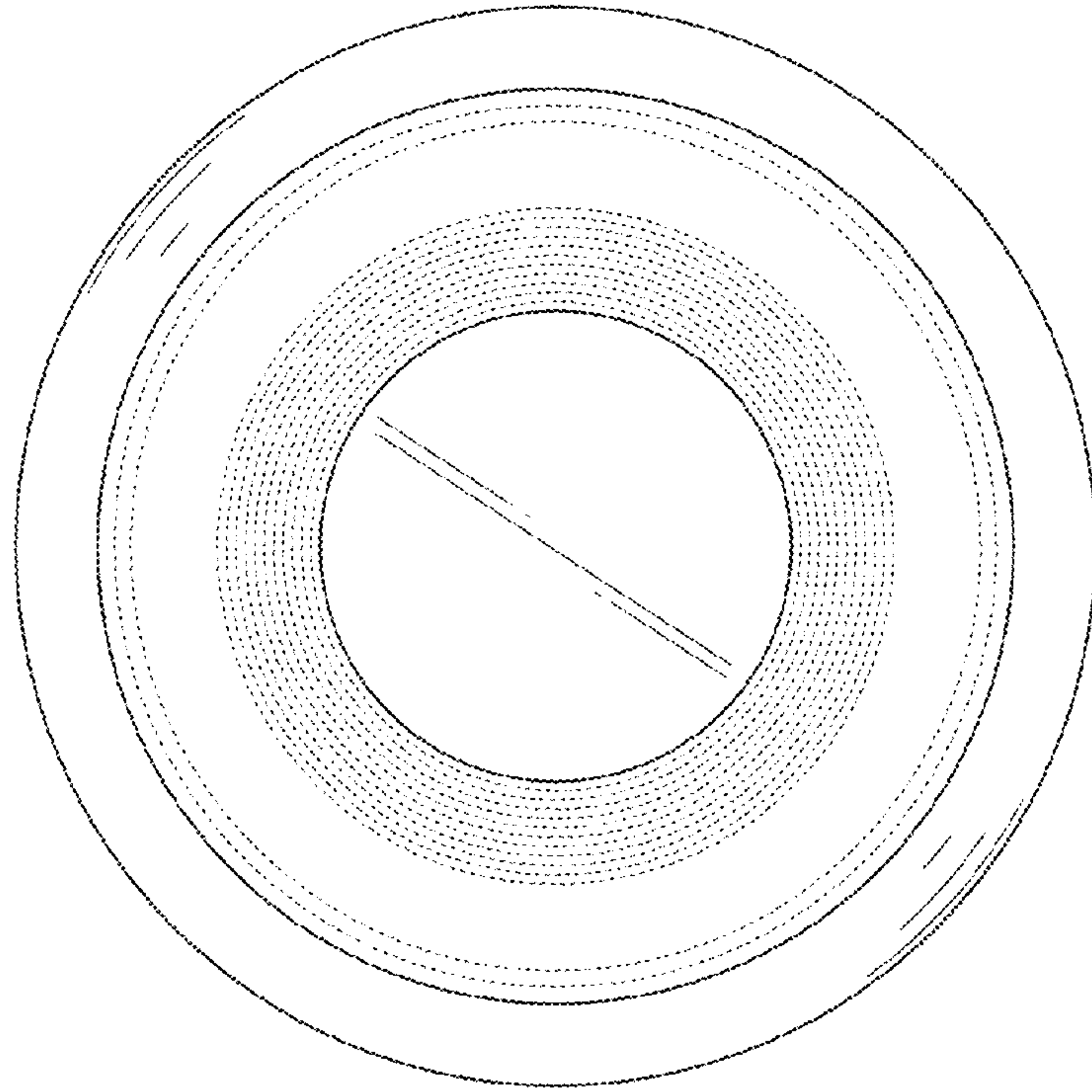


FIG. 3

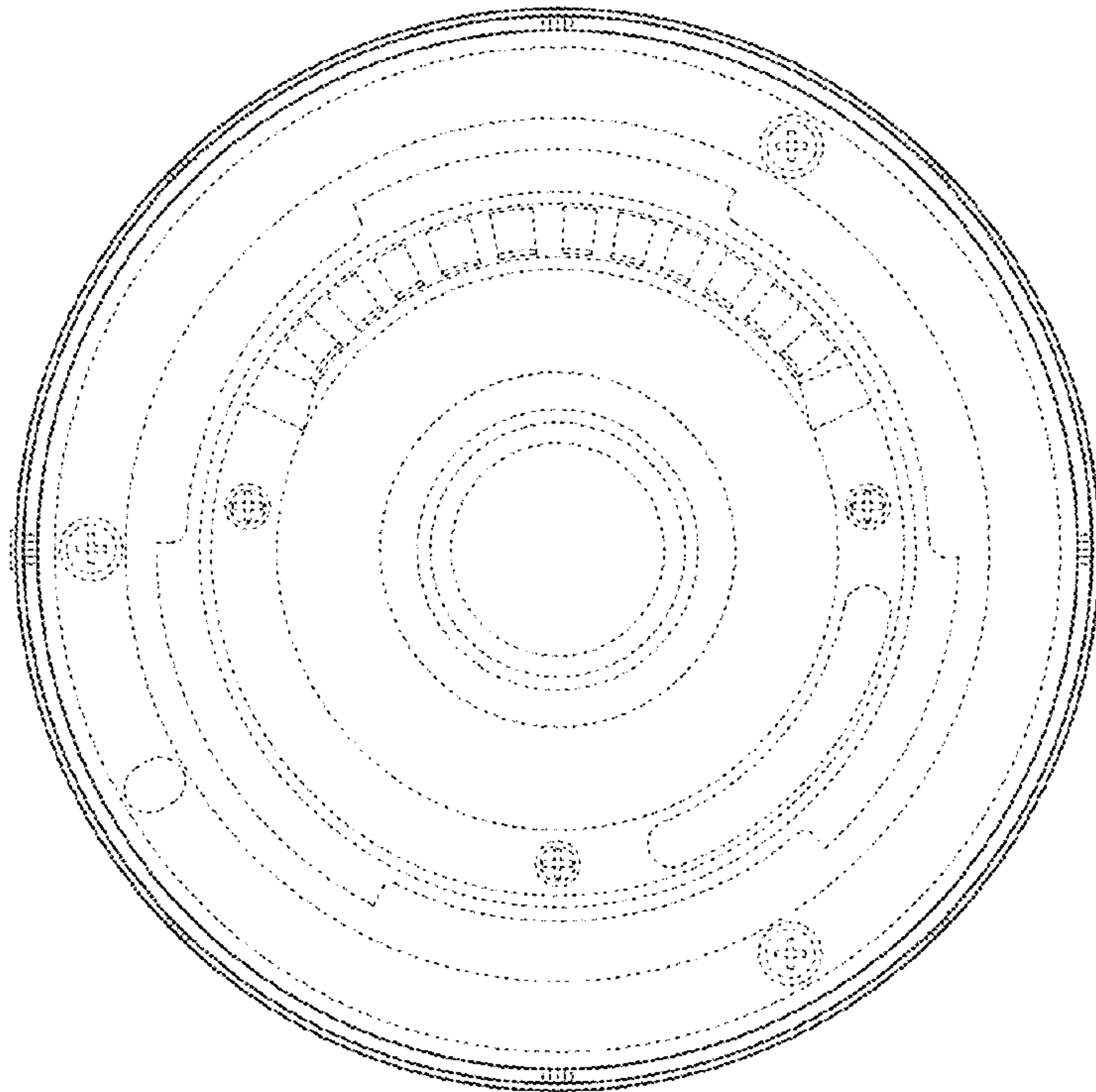


FIG. 4

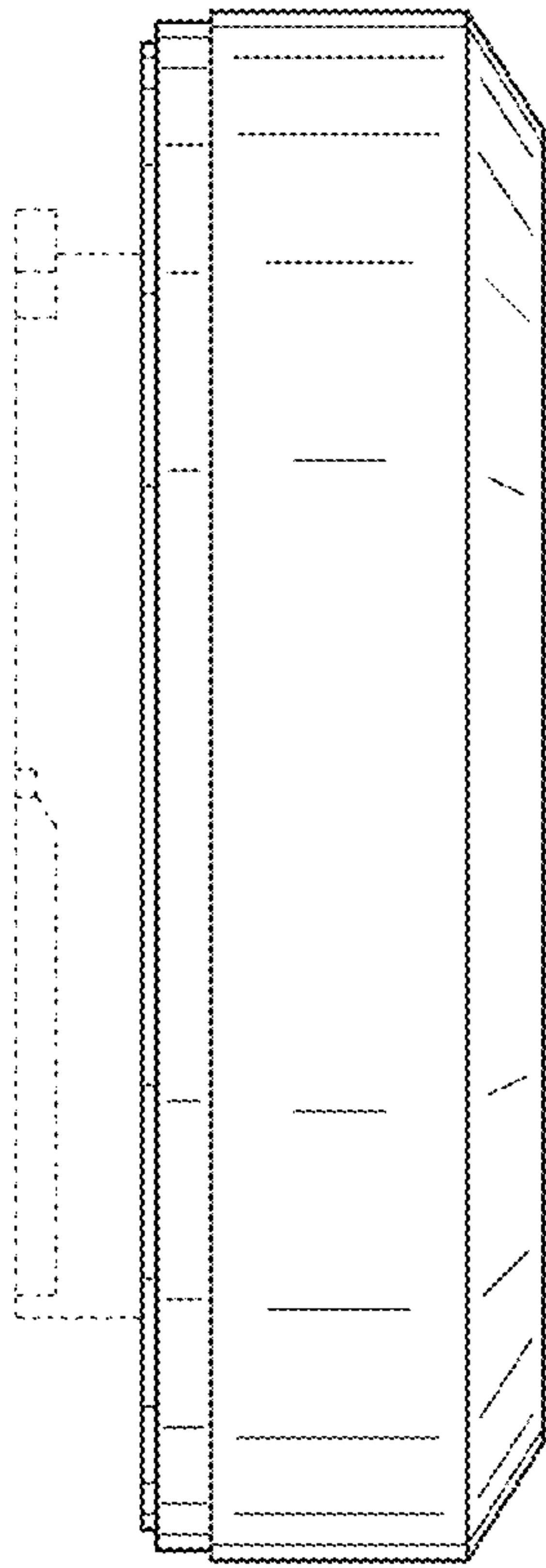


FIG. 5

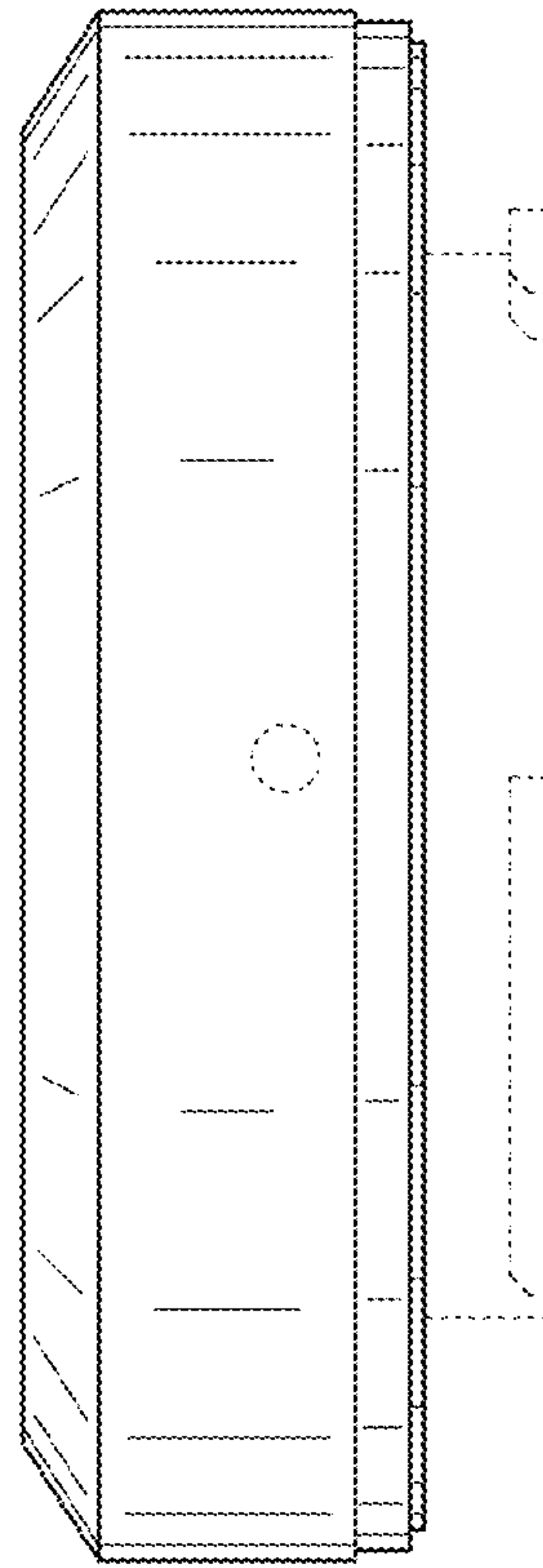


FIG. 6

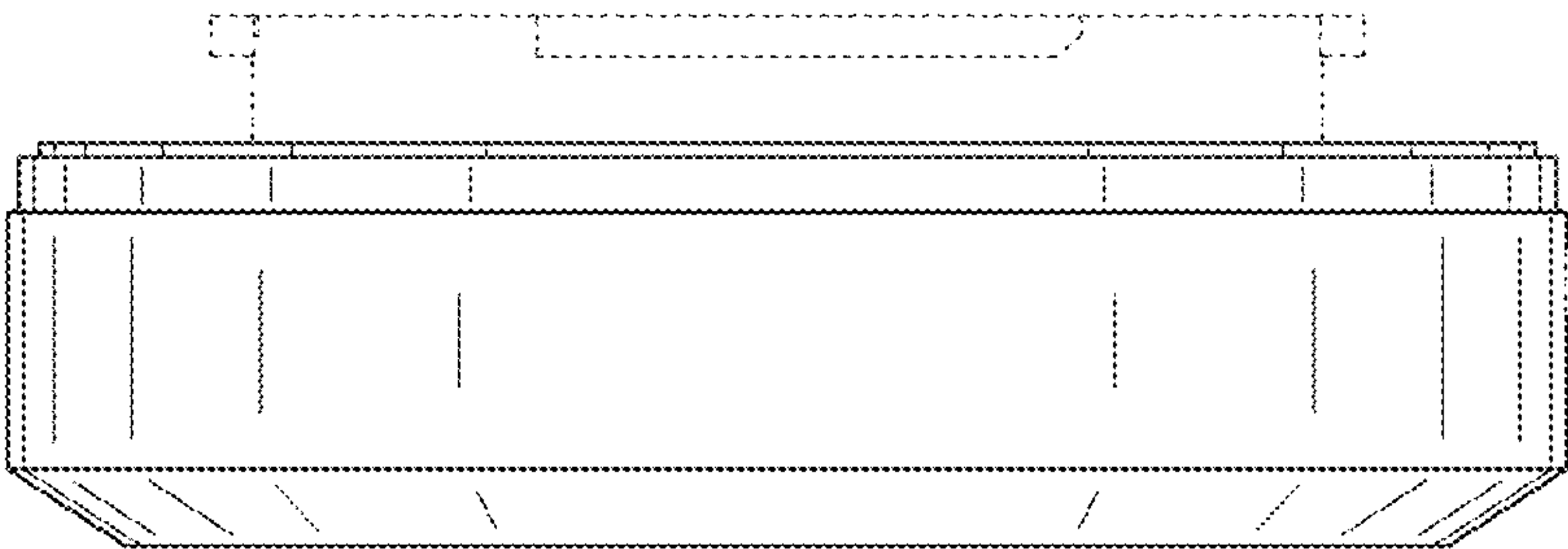


FIG. 7

