



US00D745914S

(12) **United States Design Patent**
Baba et al.

(10) **Patent No.:** **US D745,914 S**

(45) **Date of Patent:** **** Dec. 22, 2015**

(54) **CAMERA**

(71) Applicant: **Samsung Electronics Co., Ltd.**,
Suwon-si, Gyeonggi-do (KR)

(72) Inventors: **Kenji Baba**, Tokyo (JP); **Kenji Yamauchi**, Seoul (KR)

(73) Assignee: **Samsung Electronics Co., Ltd.**,
Suwon-Si (KR)

(**) Term: **14 Years**

(21) Appl. No.: **29/494,208**

(22) Filed: **Jun. 18, 2014**

(30) **Foreign Application Priority Data**

Dec. 23, 2013 (KR) 30-2013-0064787

(51) **LOC (10) Cl.** **16-05**

(52) **U.S. Cl.**
USPC **D16/219**

(58) **Field of Classification Search**
USPC D16/200, 202–206, 208, 217–219;
348/373–376; 396/176–178, 420,
396/535–541
CPC G03B 15/03; G03B 17/02; G03B 17/04;
G03B 17/56; G03B 19/04; H04N 5/2251;
H04N 5/2252; H04N 5/2253; H04N 5/2254;
H04N 2101/00

See application file for complete search history.

(56) **References Cited**

U.S. PATENT DOCUMENTS

6,351,609	B1 *	2/2002	Hosokawa et al.	396/177
D559,291	S *	1/2008	Hayashi	D16/202
D594,892	S *	6/2009	Kamiya et al.	D16/202
D611,977	S *	3/2010	Kim et al.	D16/202
D639,325	S *	6/2011	Yamauchi et al.	D16/202
8,428,455	B2 *	4/2013	Asai et al.	396/535
D706,849	S *	6/2014	Sakai	D16/202
D709,936	S *	7/2014	Sakai	D16/202
D716,861	S *	11/2014	Sakai	D16/202
D724,131	S *	3/2015	Kim	D16/219
D726,797	S *	4/2015	Ham et al.	D16/202
2006/0072916	A1 *	4/2006	Liu	396/177
2013/0076975	A1 *	3/2013	Kumoi et al.	348/373

* cited by examiner

Primary Examiner — Adir Aronovich

Assistant Examiner — Ramzi Almatrahi

(74) *Attorney, Agent, or Firm* — Ladas & Parry LLP

(57) **CLAIM**

The ornamental design for a camera, as shown and described.

DESCRIPTION

FIG. 1 is a top front perspective view of a camera showing our new design;

FIG. 2 is a front elevation view thereof;

FIG. 3 is a rear elevation view thereof;

FIG. 4 is a left side elevation view thereof;

FIG. 5 is a right side elevation view thereof;

FIG. 6 is a top plan view thereof;

FIG. 7 is a bottom plan view thereof; and,

FIG. 8 is a top rear perspective view thereof.

The broken lines depict portions of a camera in which the design is embodied and form no part of the claimed design.

Additionally, the dot-dashed lines denote the boundary of the claim and form no part of the claimed design.

1 Claim, 8 Drawing Sheets

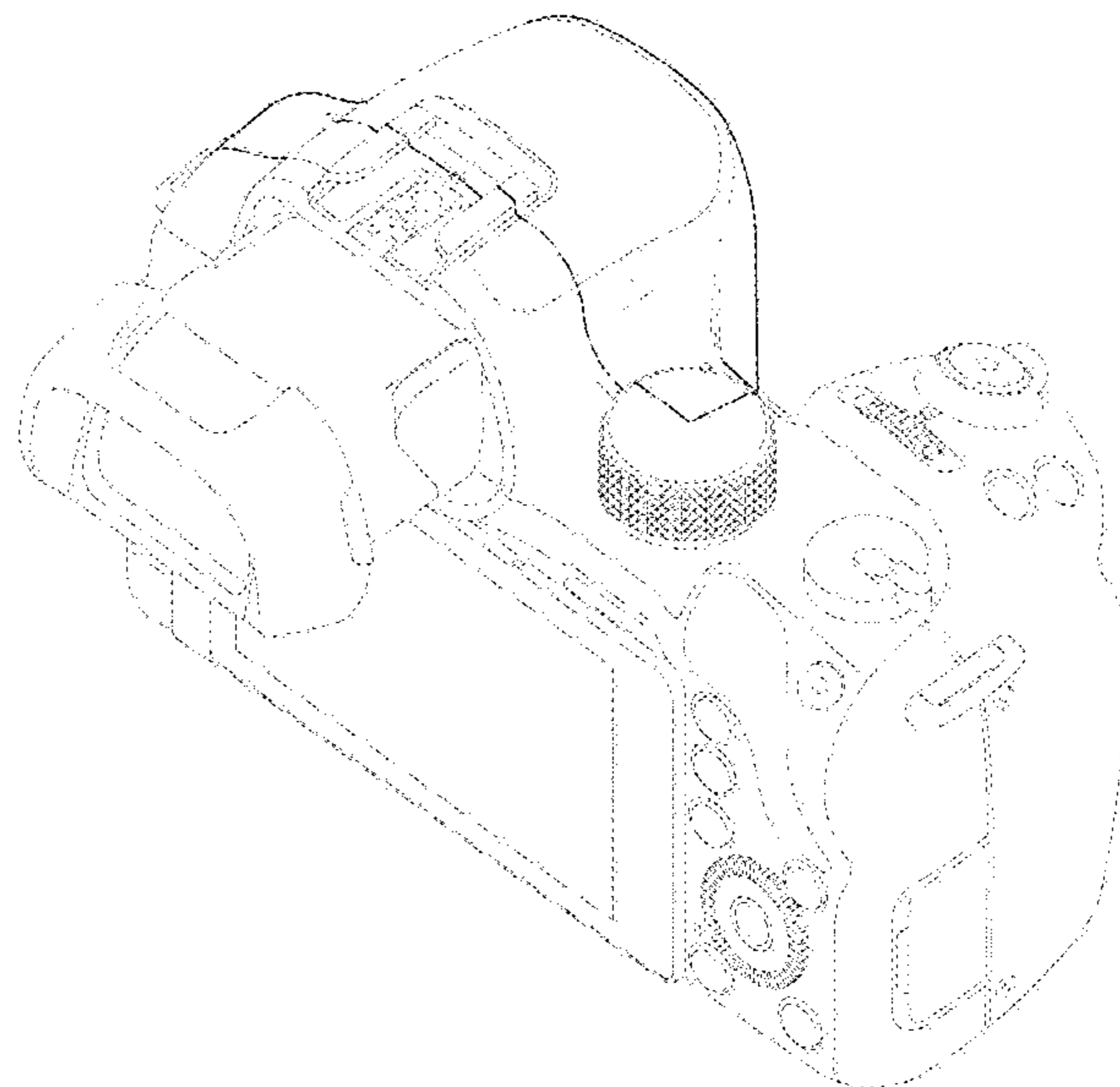
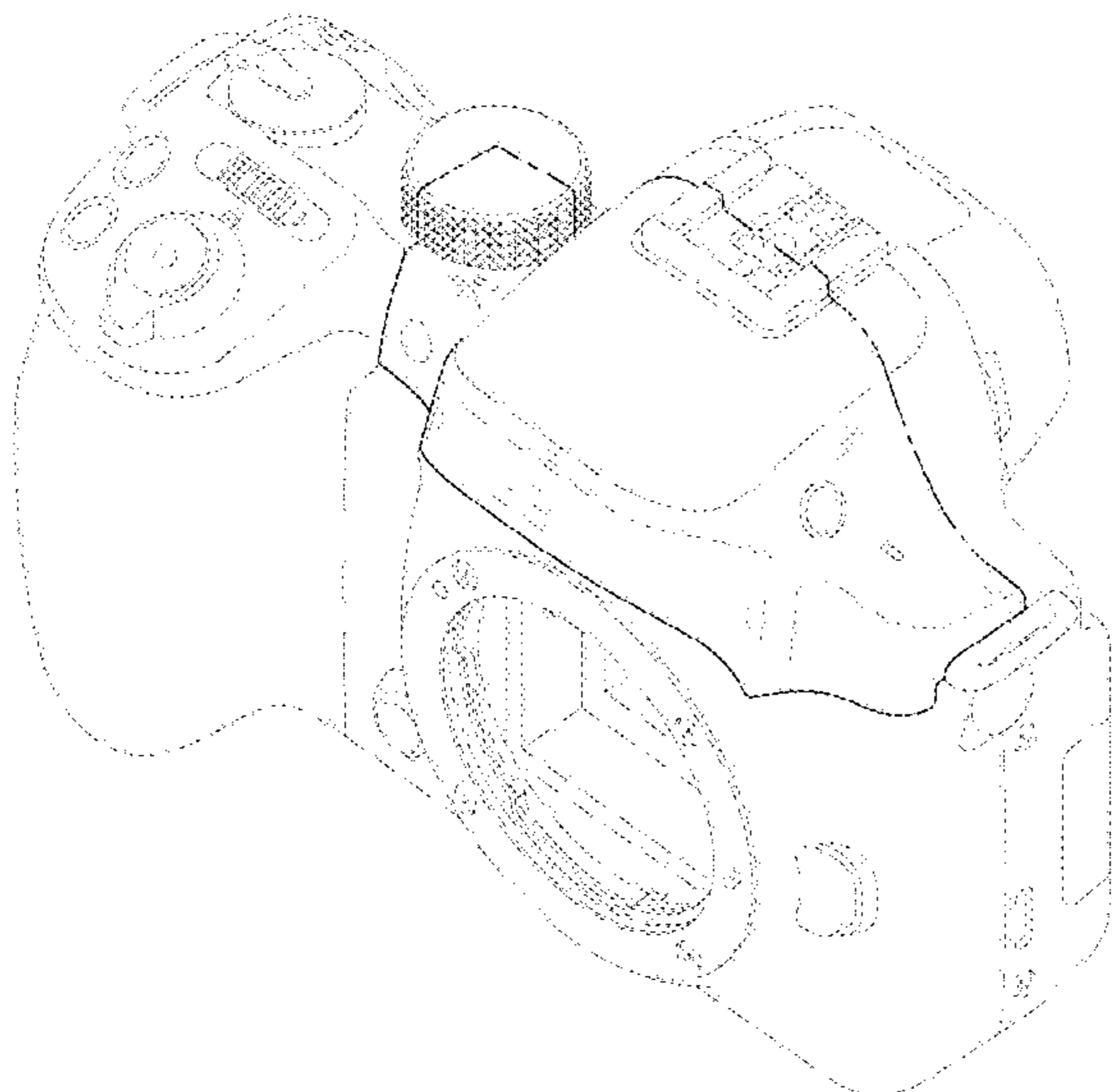


FIG. 1

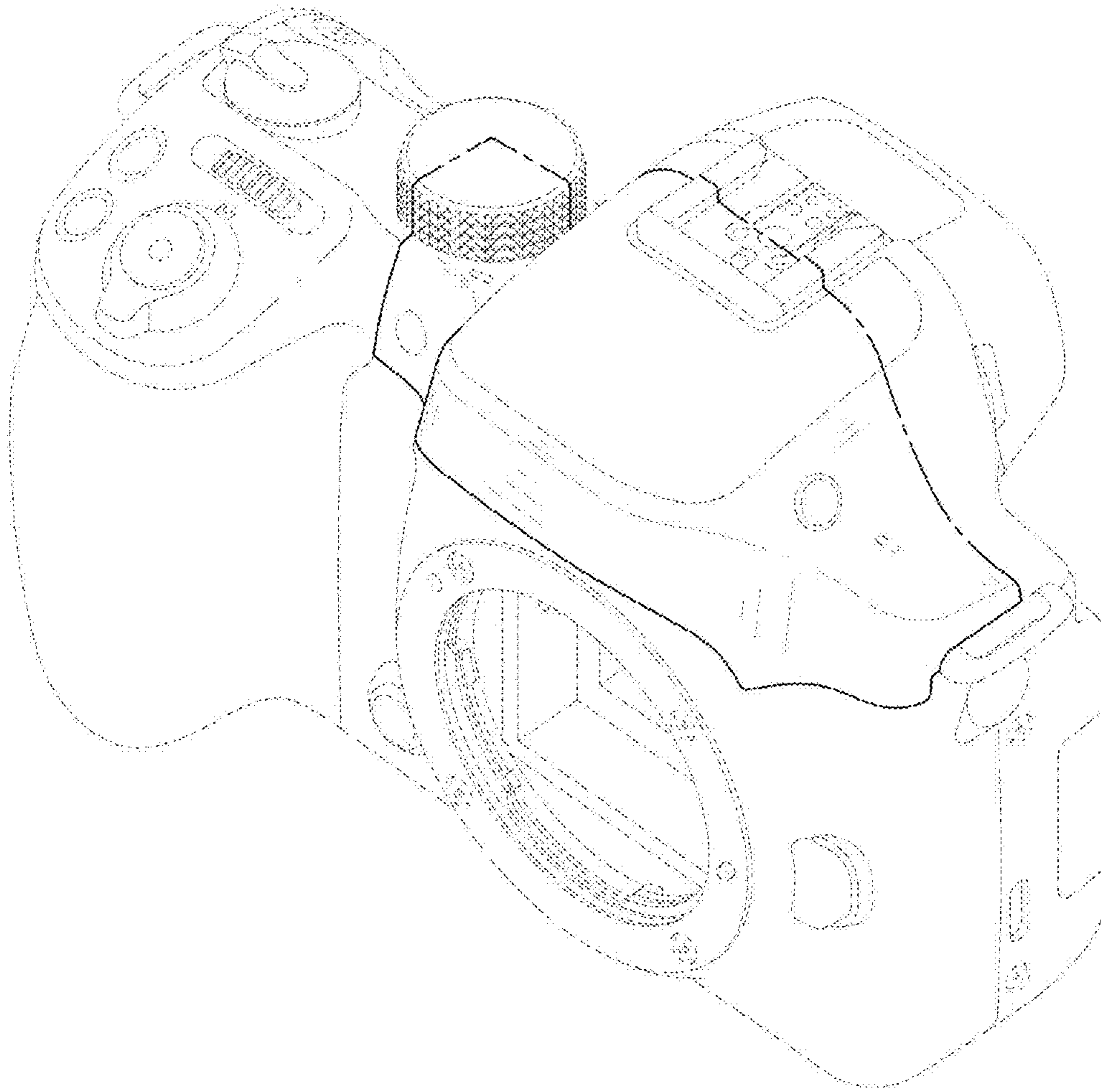


FIG. 2

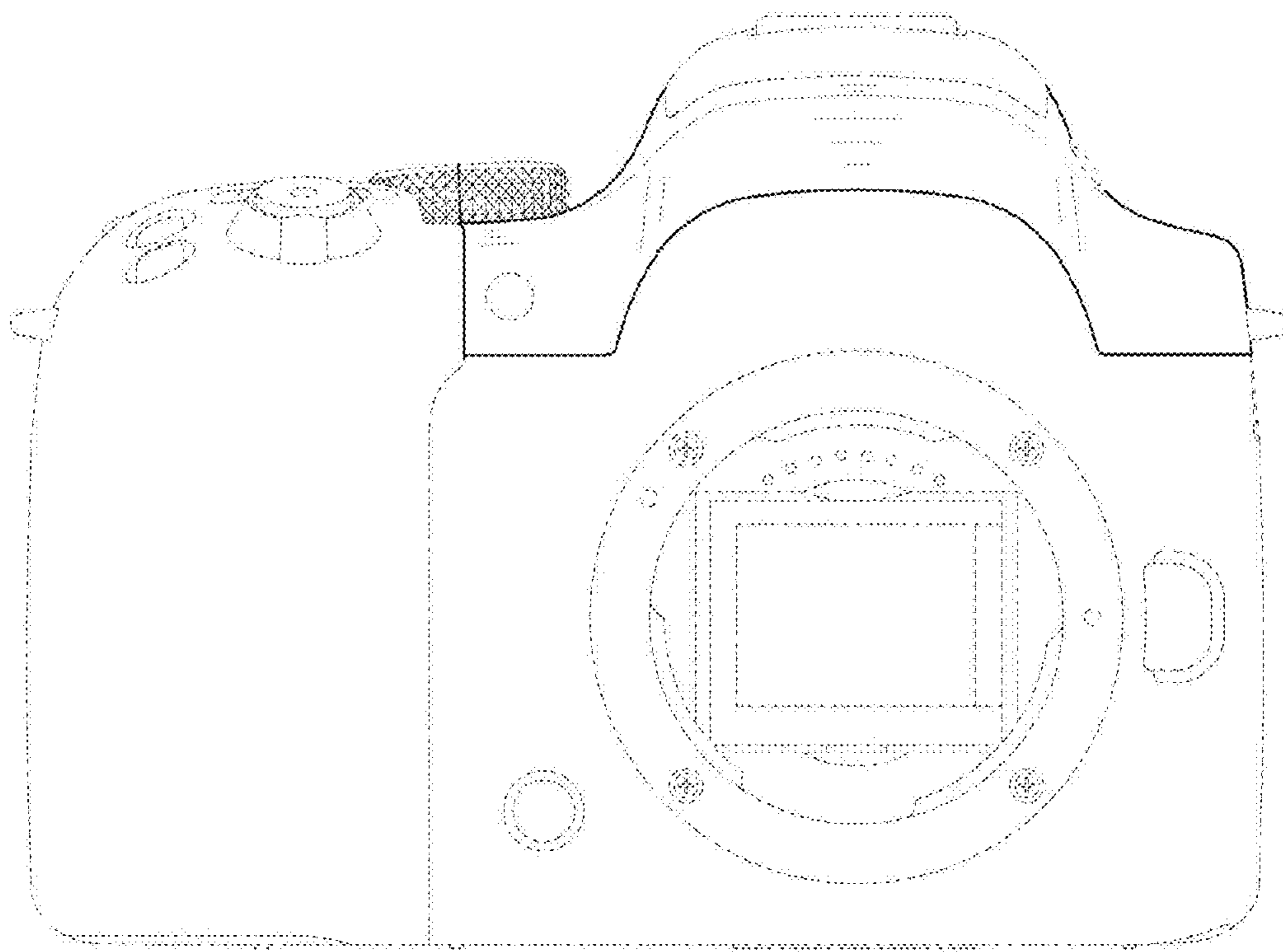


FIG. 3

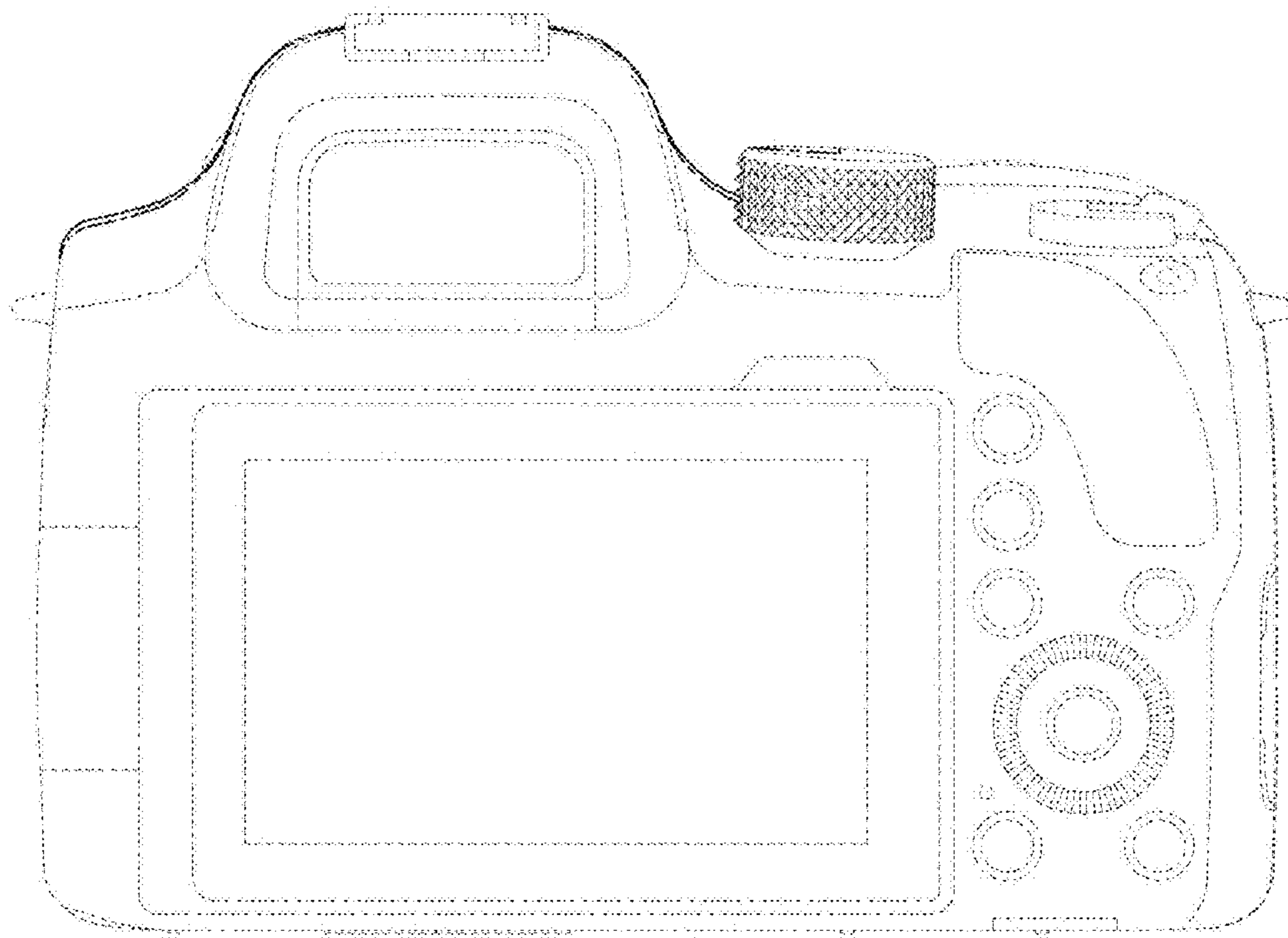


FIG. 4

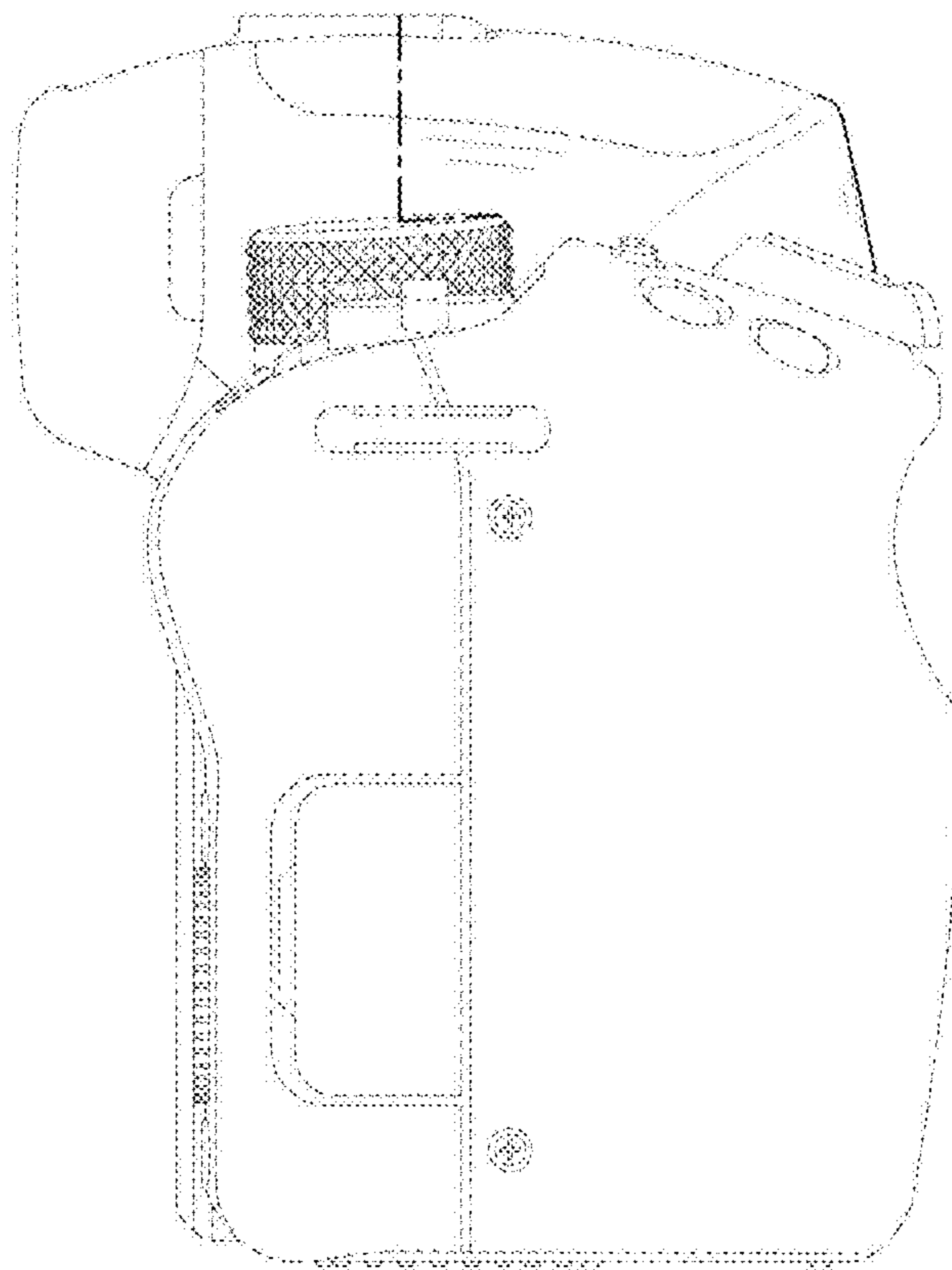


FIG. 5

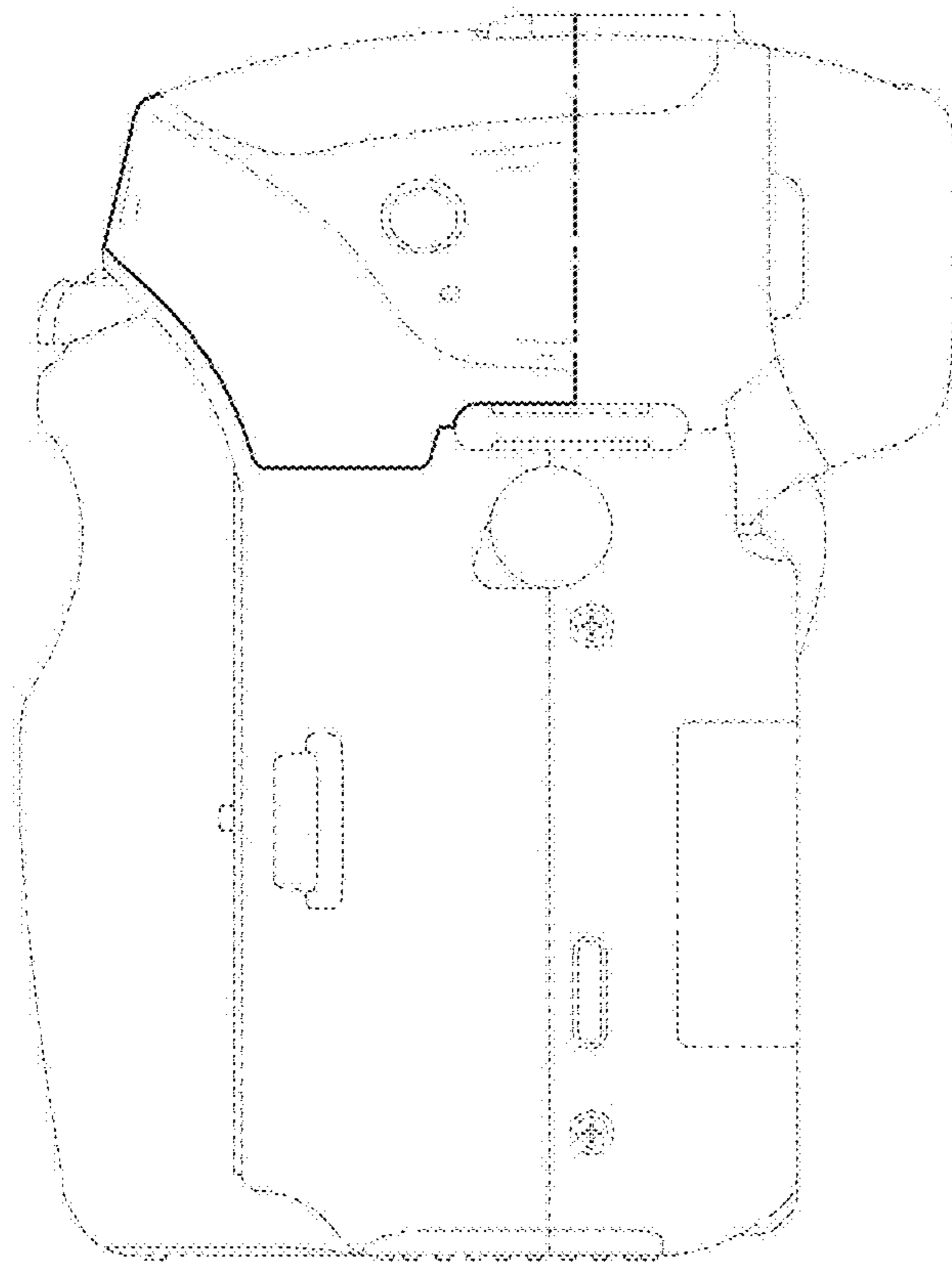


FIG. 6

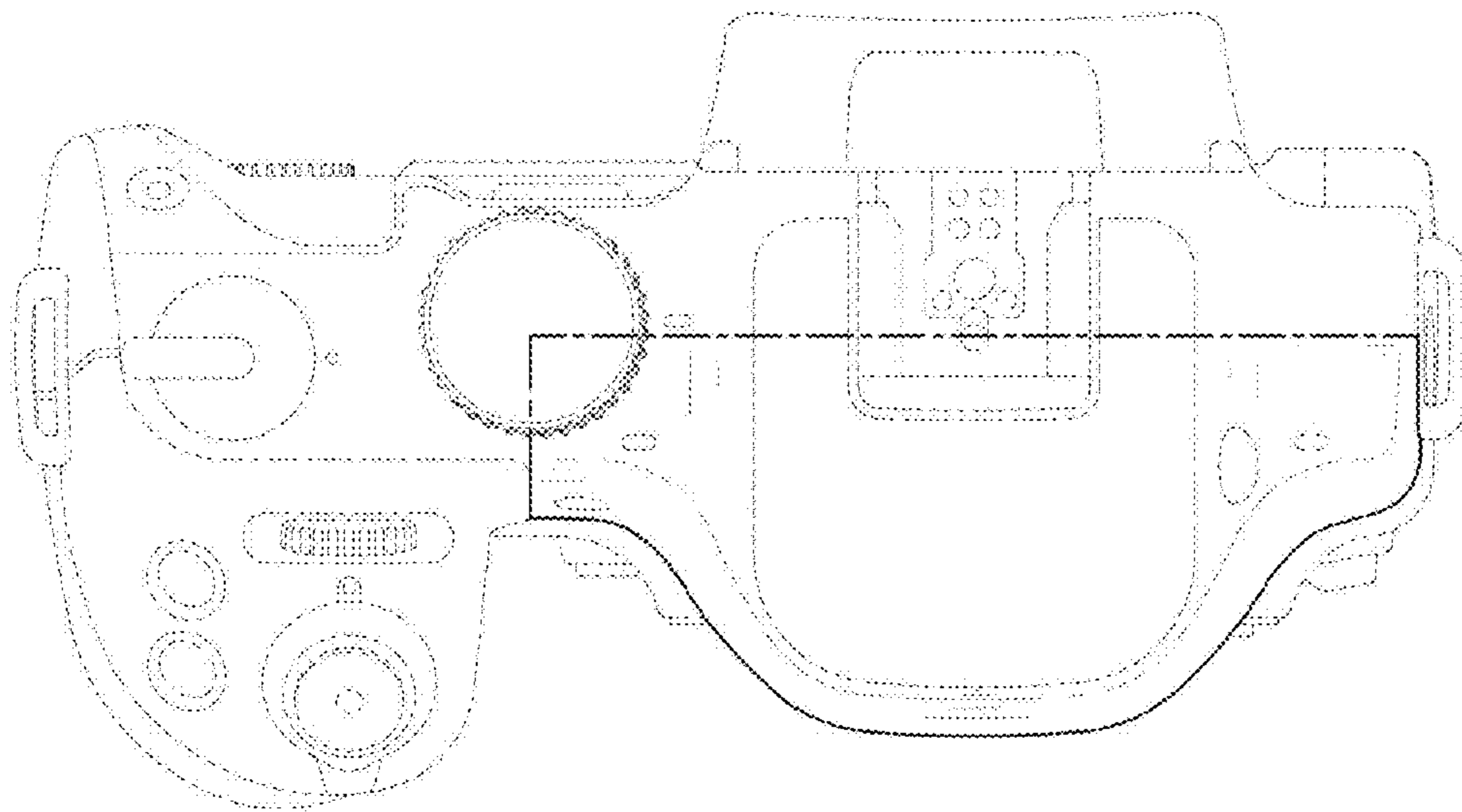


FIG. 7

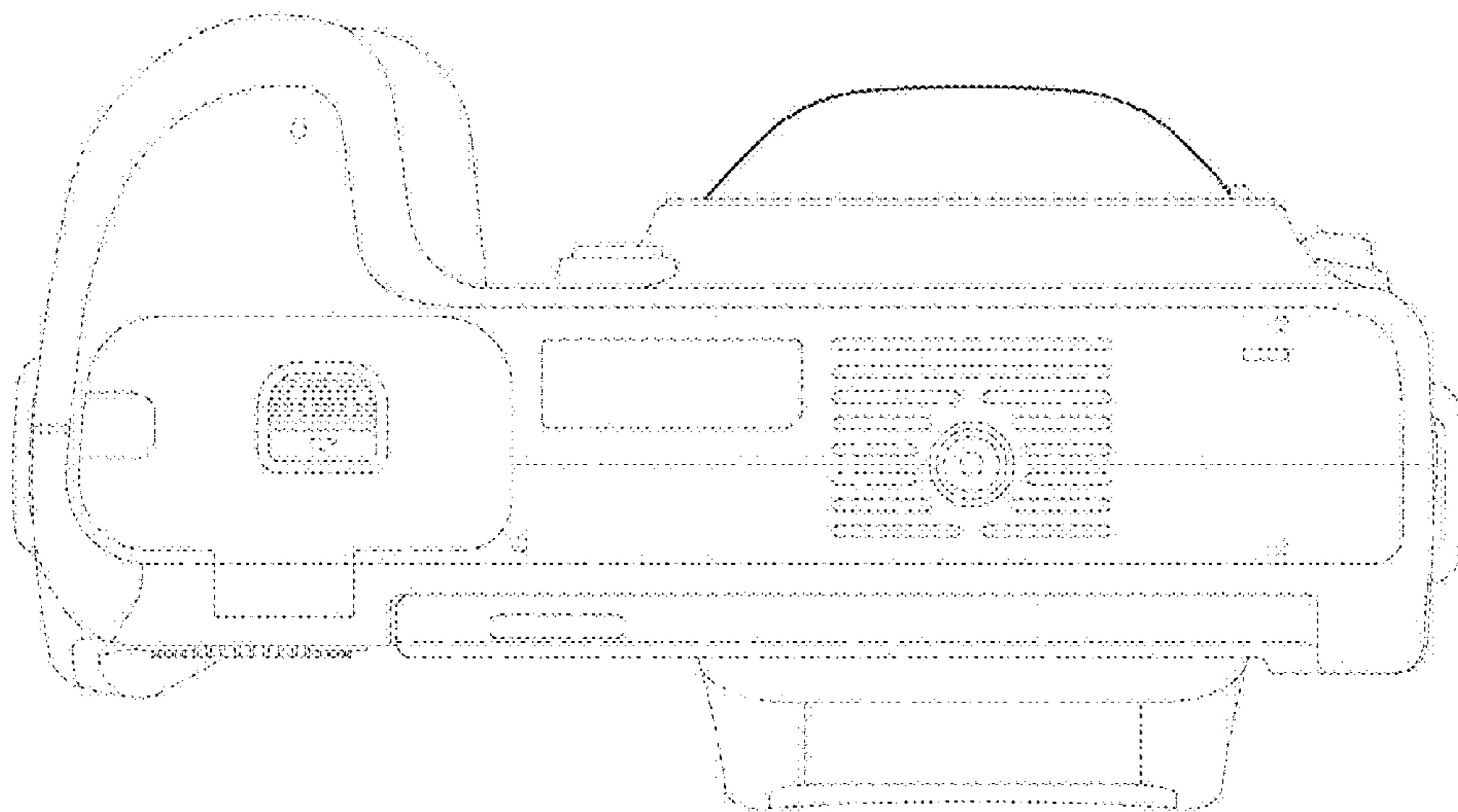


FIG. 8

