



US00D745912S

(12) **United States Design Patent**
Lee et al.

(10) **Patent No.:** **US D745,912 S**
(45) **Date of Patent:** **** *Dec. 22, 2015**

(54) **CAMERA**

(71) Applicant: **SAMSUNG ELECTRONICS CO., LTD.**, Suwon-si (KR)

(72) Inventors: **SeO Lee**, Sungnami-si (KR); **Sangil Park**, Namyangjusi (KR); **Sangmin Hyun**, Seoul (KR)

(73) Assignee: **Samsung Electronics Co., Ltd.**, Suwon-si (KR)

(*) Notice: This patent is subject to a terminal disclaimer.

(**) Term: **14 Years**

(21) Appl. No.: **29/464,243**

(22) Filed: **Aug. 14, 2013**

(30) **Foreign Application Priority Data**

Feb. 14, 2013 (KR) 30-2013-0007679

(51) **LOC (10) Cl.** **16-01**

(52) **U.S. Cl.**
USPC **D16/218**

(58) **Field of Classification Search**
USPC D16/200–208, 210, 218, 219, 242;
348/373–376, 143, 148, 151; 358/906;
396/535–541, 419, 427
CPC G03B 15/03; G03B 17/02; G03B 17/04;
G03B 17/56; G03B 19/04; H04N 5/2251;
H04N 5/2252; H04N 5/2253; H04N 5/2254;
H04N 2101/00

See application file for complete search history.

(56) **References Cited**

U.S. PATENT DOCUMENTS

D193,693	S	*	9/1962	Steineck	D16/210
5,808,679	A	*	9/1998	Shih	348/335
D460,773	S	*	7/2002	Arbuckle et al.	D16/203
6,483,438	B2	*	11/2002	DeLine et al.	340/815.4
D474,794	S	*	5/2003	Ogura	D16/203
7,369,174	B2	*	5/2008	Olita et al.	348/373
D684,618	S	*	6/2013	Park et al.	D16/203
D687,875	S	*	8/2013	Sasaki	D16/202
D694,797	S	*	12/2013	Parker	D16/203
2012/0050607	A1	*	3/2012	Sims et al.	348/373
2013/0107110	A1	*	5/2013	Park et al.	348/373
2014/0063333	A1	*	3/2014	Chen	348/373

* cited by examiner

Primary Examiner — Philip S Hyder
Assistant Examiner — Ramzi Almatrahi
(74) *Attorney, Agent, or Firm* — Ladas & Parry LLP

(57) **CLAIM**

The ornamental design for a camera, as shown and described.

DESCRIPTION

FIG. 1 is a front perspective view of a camera showing our new design;
FIG. 2 is a front elevational view thereof;
FIG. 3 is a rear elevational view thereof;
FIG. 4 is a left-side elevational view thereof;
FIG. 5 is a right-side elevational view thereof;
FIG. 6 is a top plan view thereof;
FIG. 7 is a bottom plan view thereof; and,
FIG. 8 is a reduced front perspective view thereof showing the camera in use.
The broken lines in FIGS. 2 and 7 depict portions of the camera in which the design is embodied which are not considered part of the claimed design. Additionally the dash-dot lines in FIG. 8 are for environmental purpose only and form no part of the claimed design.

1 Claim, 8 Drawing Sheets

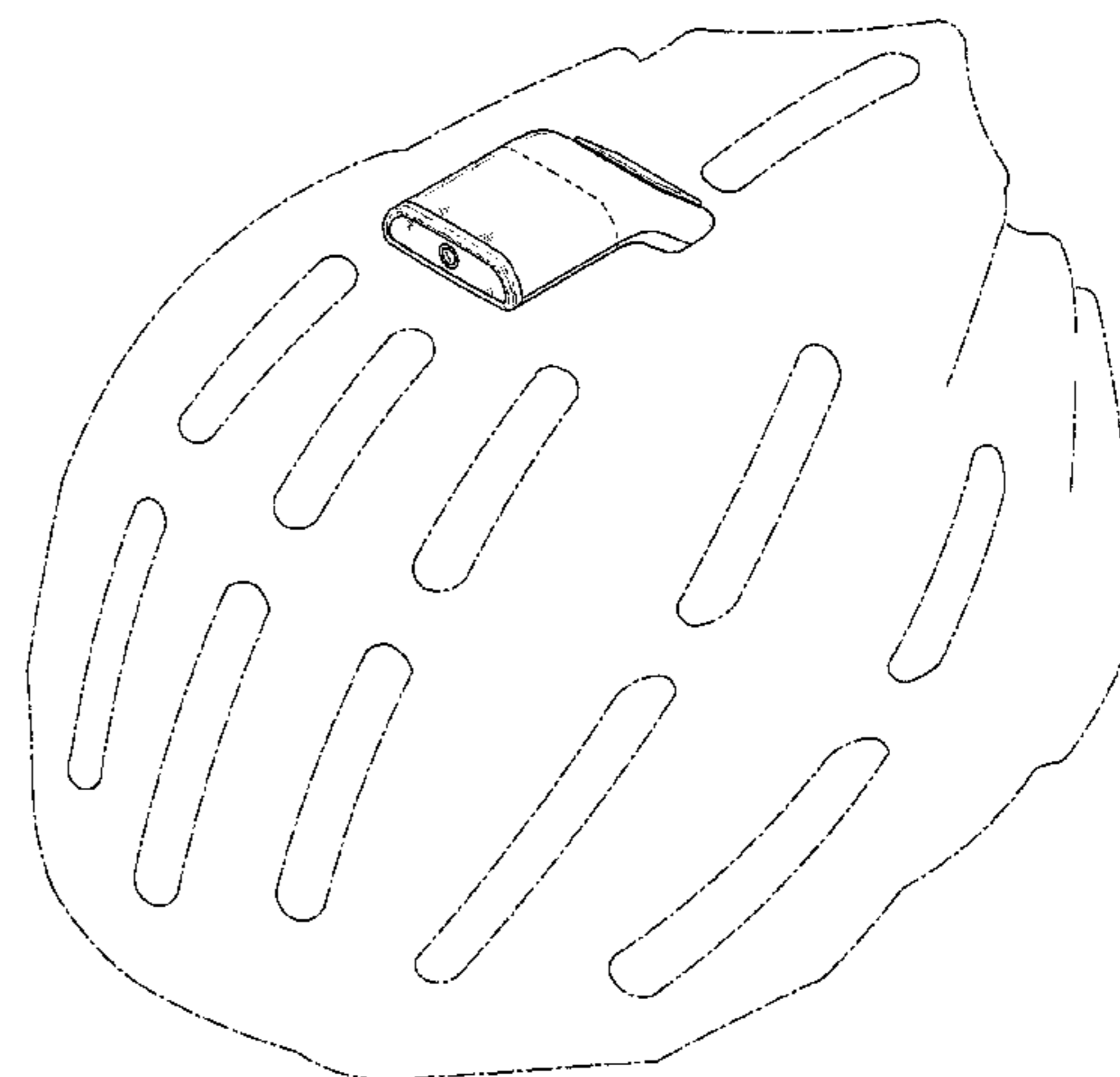
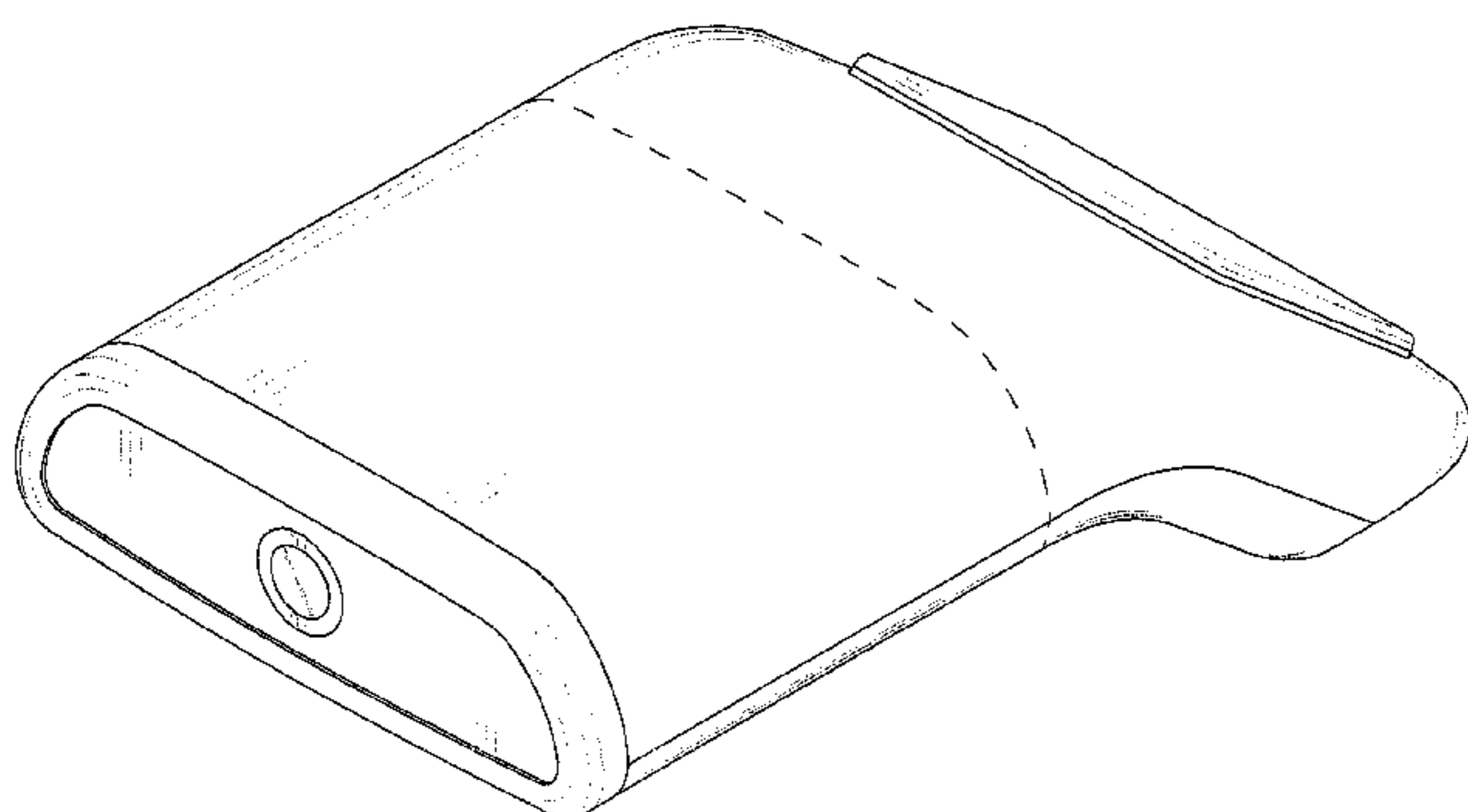


FIG. 1

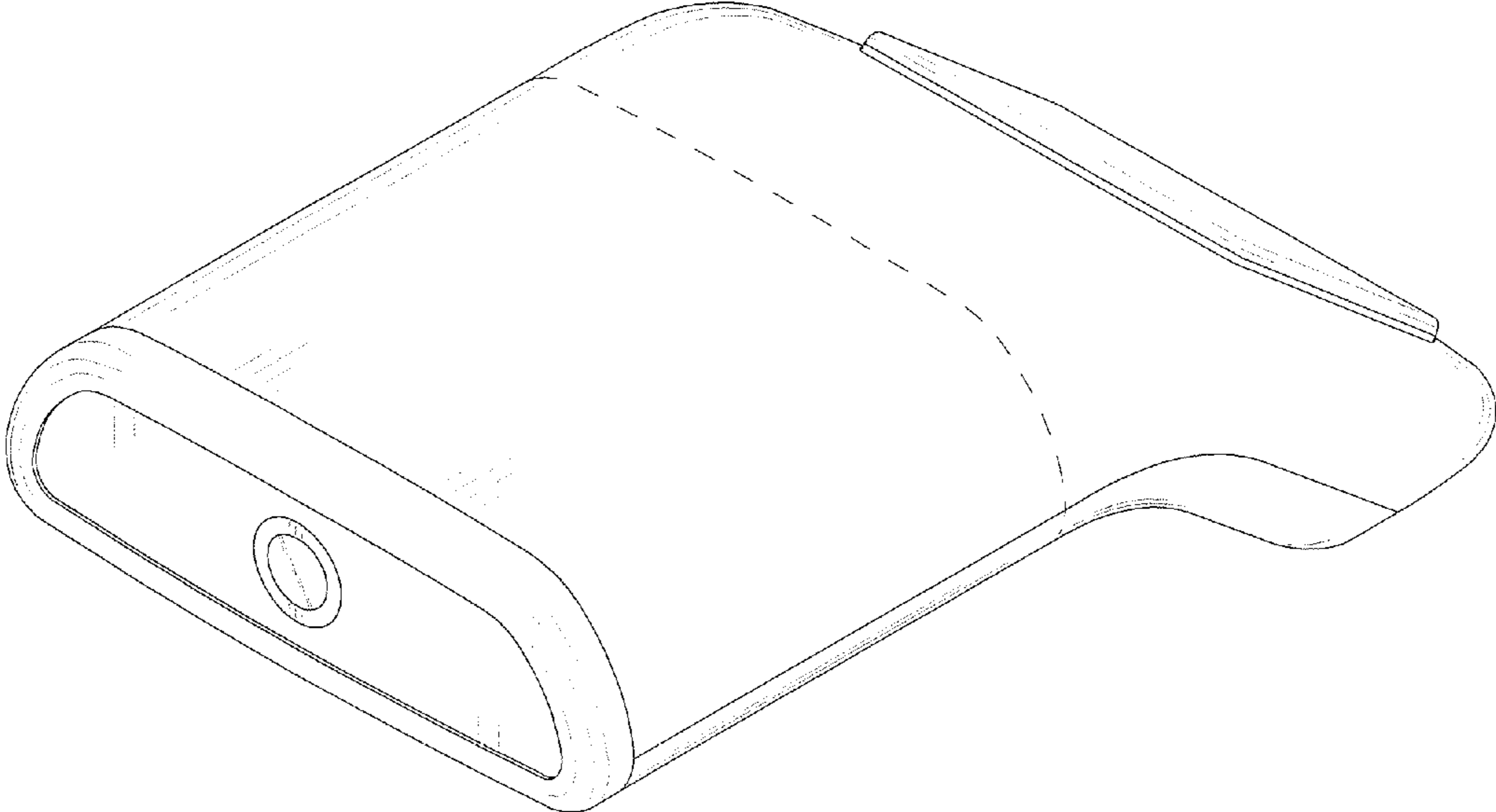


FIG. 2

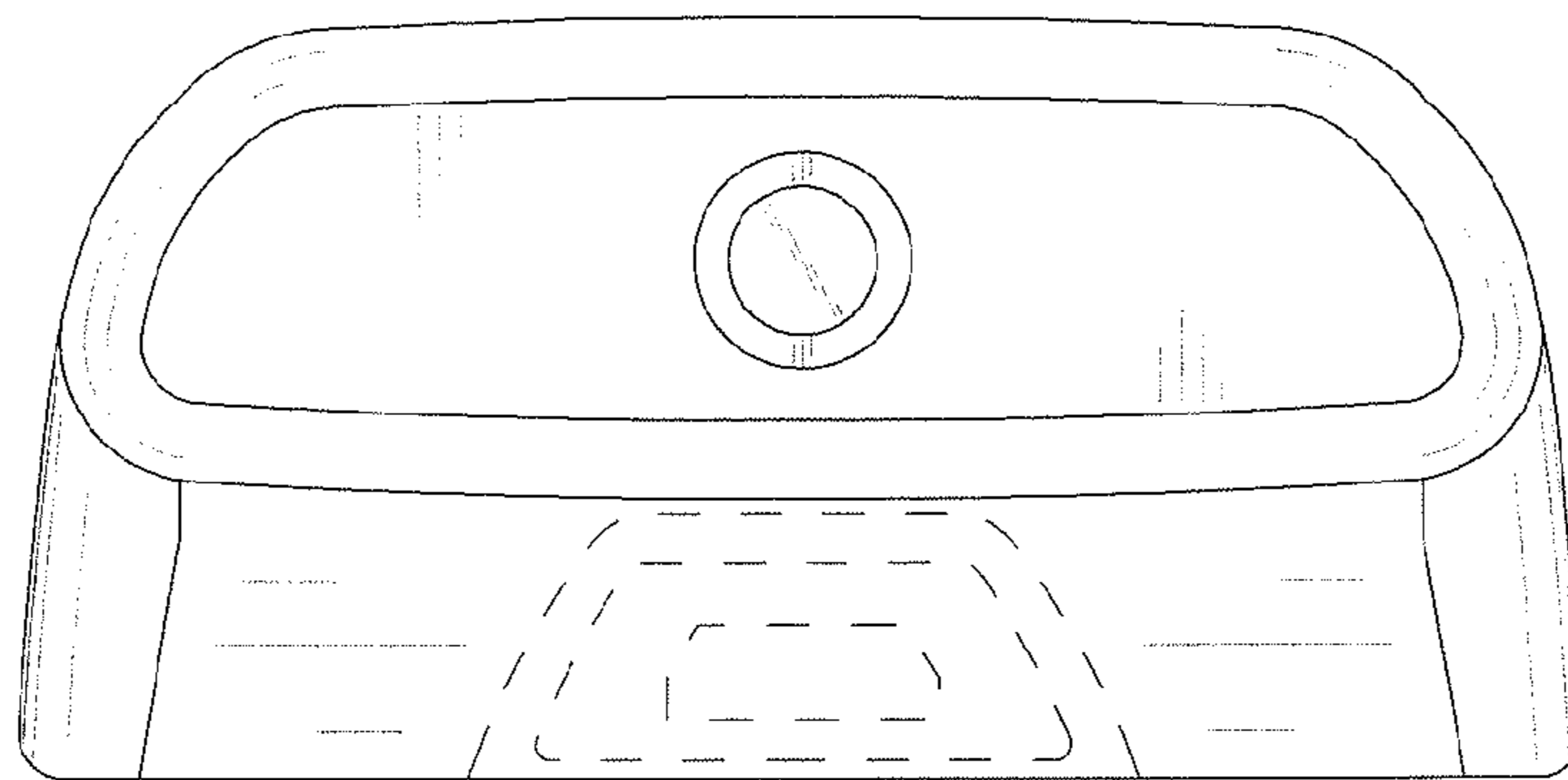


FIG. 3

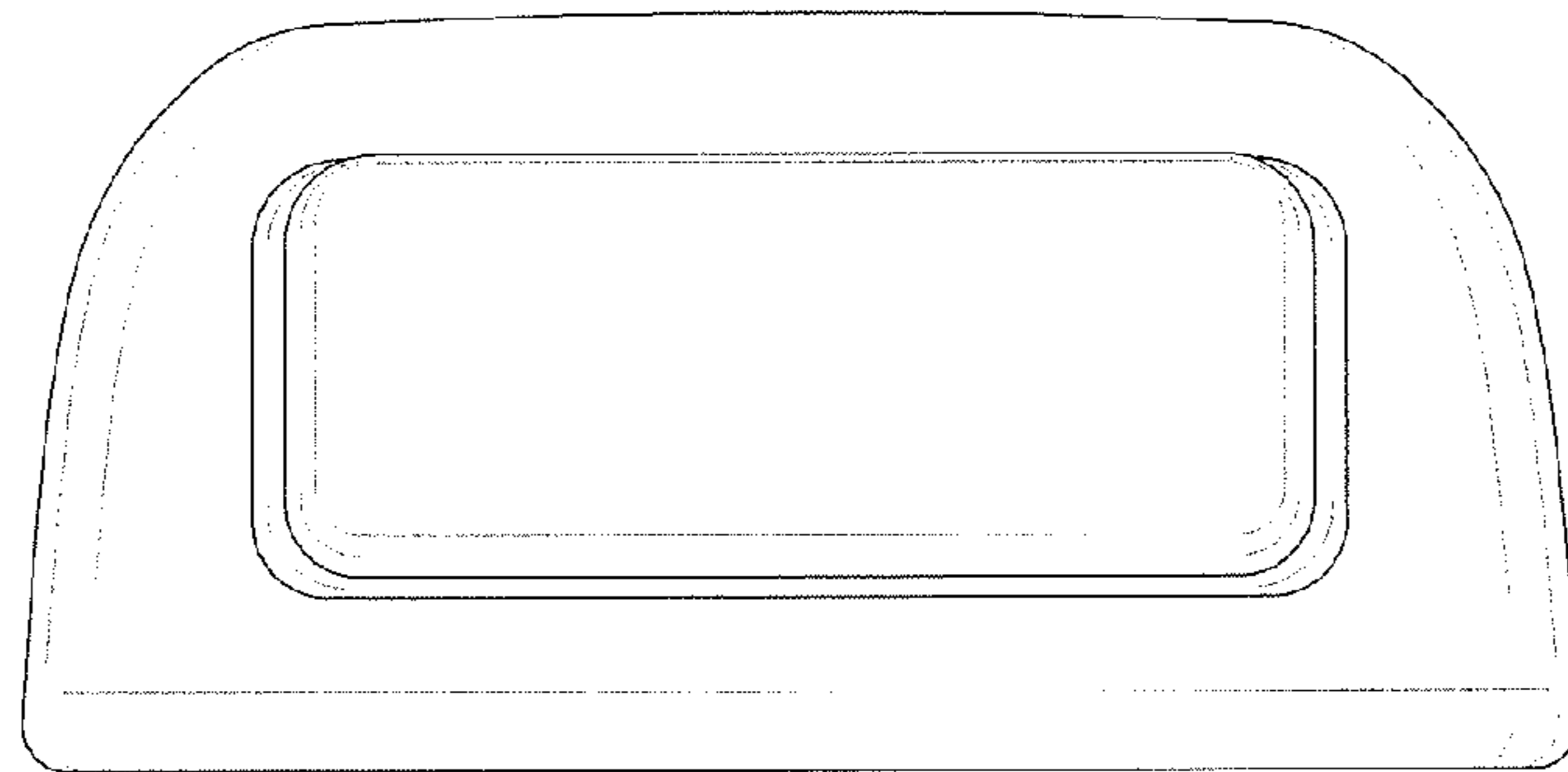


FIG. 4

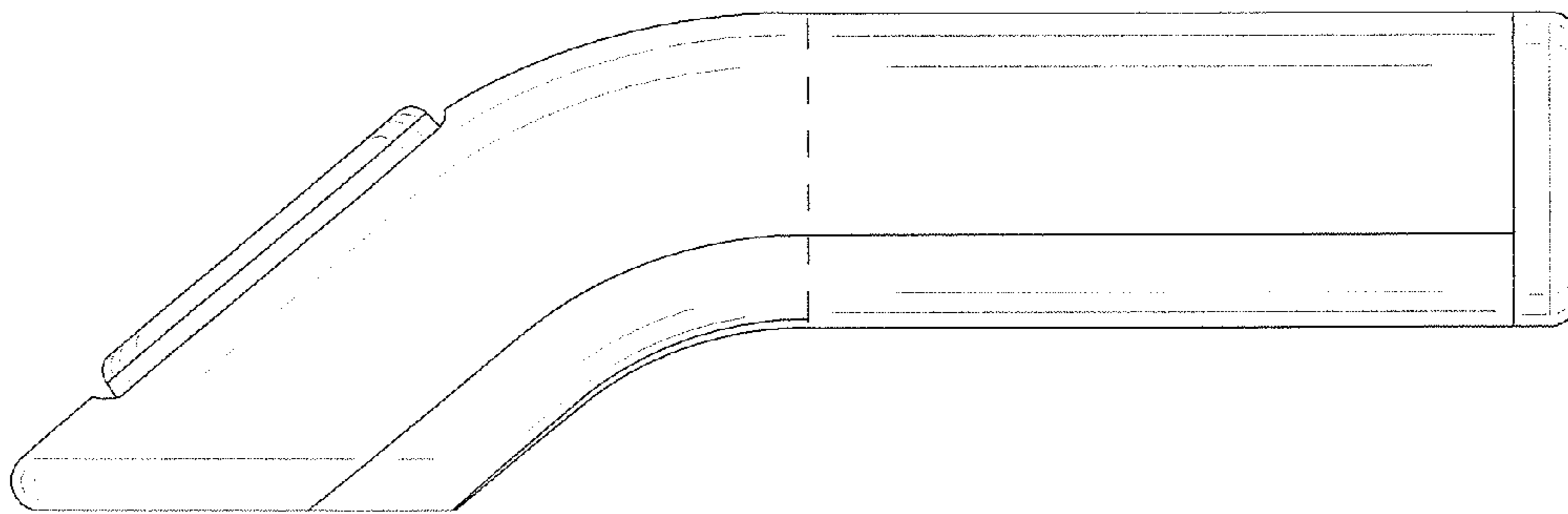


FIG. 5

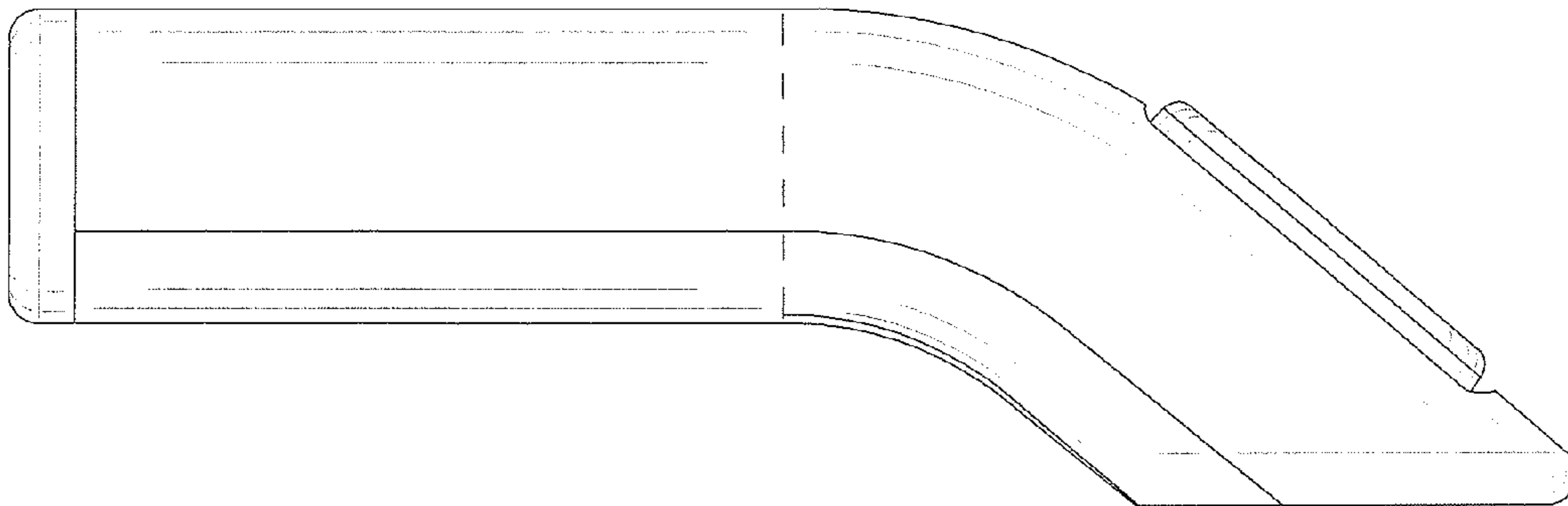


FIG. 6

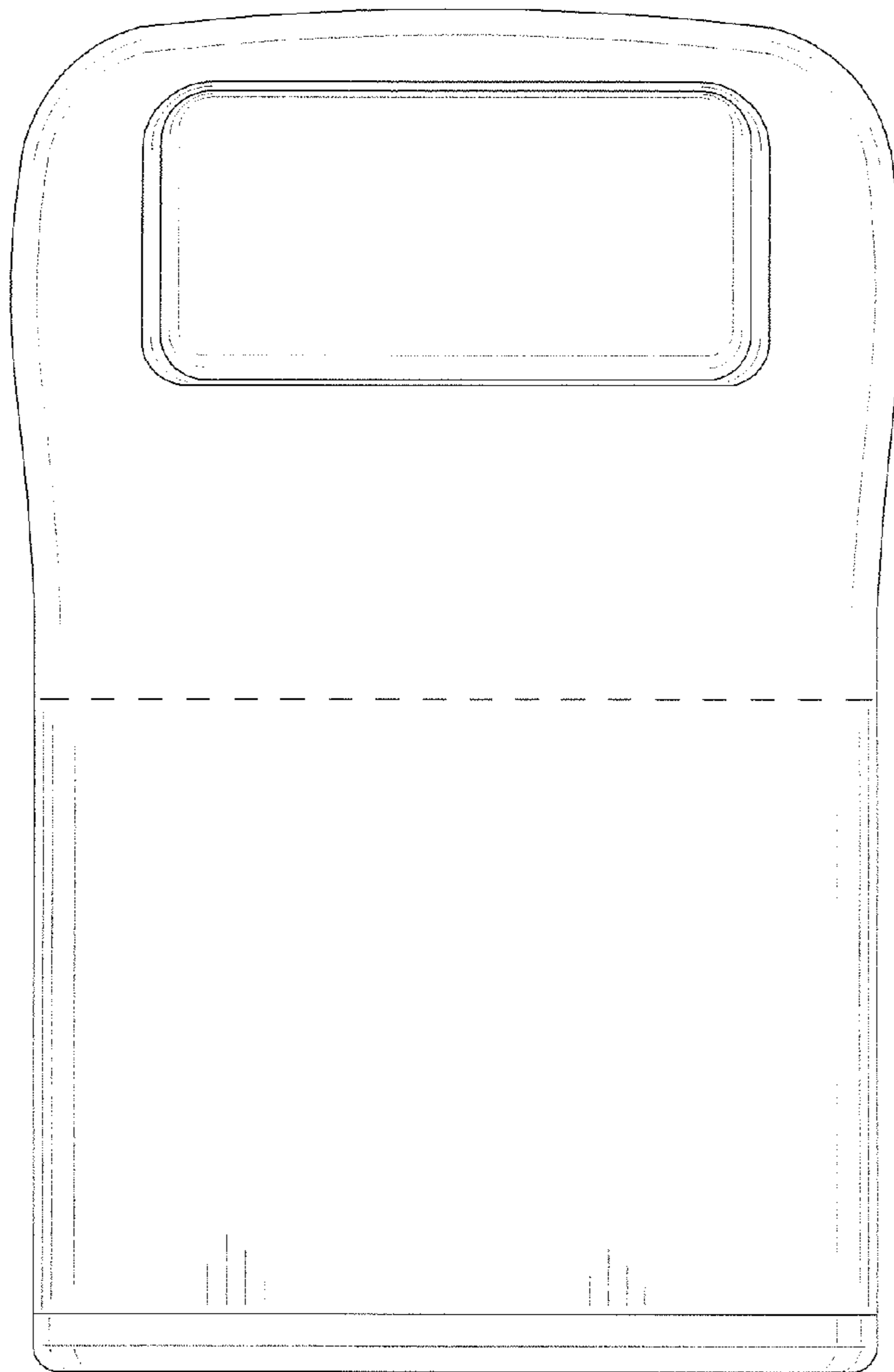


FIG. 7

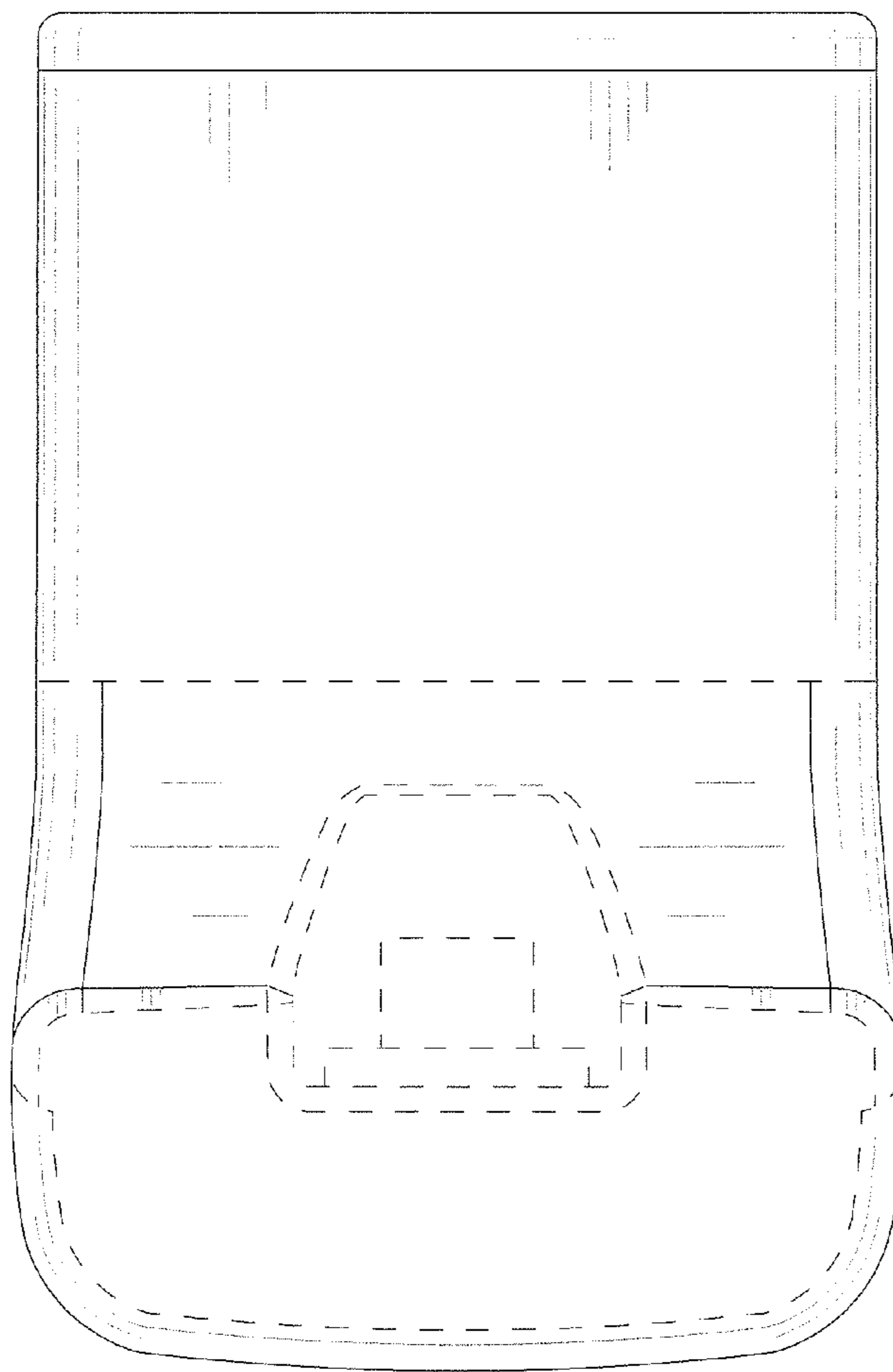


FIG. 8

