



US00D745909S

(12) **United States Design Patent**
Lee

(10) **Patent No.:** **US D745,909 S**
(45) **Date of Patent:** **** Dec. 22, 2015**

(54) **SURVEILLANCE CAMERA COVER**

(56) **References Cited**

(71) Applicant: **POWERTECH ELECTRONICS Co., Ltd.**, Incheon (KR)

U.S. PATENT DOCUMENTS

D203,597 S * 2/1966 Newton D16/203
D203,678 S * 2/1966 Newton D16/203
D612,883 S * 3/2010 Yamakawa D16/203

(72) Inventor: **Cheong Ho Lee**, Incheon (KR)

* cited by examiner

(73) Assignee: **POWERTECH ELECTRONICS Co., Ltd.**, Incheon (KR)

Primary Examiner — Susan Bennett Hattan

Assistant Examiner — Leanne Was

(**) Term: **14 Years**

(74) *Attorney, Agent, or Firm* — David W. Anderson; Abel Law Group, LLP

(21) Appl. No.: **29/508,600**

(57) **CLAIM**

The ornamental design for a surveillance camera cover, as shown and described.

(22) Filed: **Nov. 7, 2014**

DESCRIPTION

(30) **Foreign Application Priority Data**

May 7, 2014 (KR) 30-2014-0022640

FIG. 1 includes a top perspective view of a surveillance camera cover;

FIG. 2 includes a front elevation view of the surveillance camera cover of FIG. 1;

FIG. 3 includes a rear elevation view of the surveillance camera cover of FIG. 1;

(51) **LOC (10) Cl.** **16-01**

(52) **U.S. Cl.**
USPC **D16/203**

FIG. 4 includes a left side elevation view of the surveillance camera cover of FIG. 1;

FIG. 5 includes a right side perspective view of the surveillance camera cover of FIG. 1;

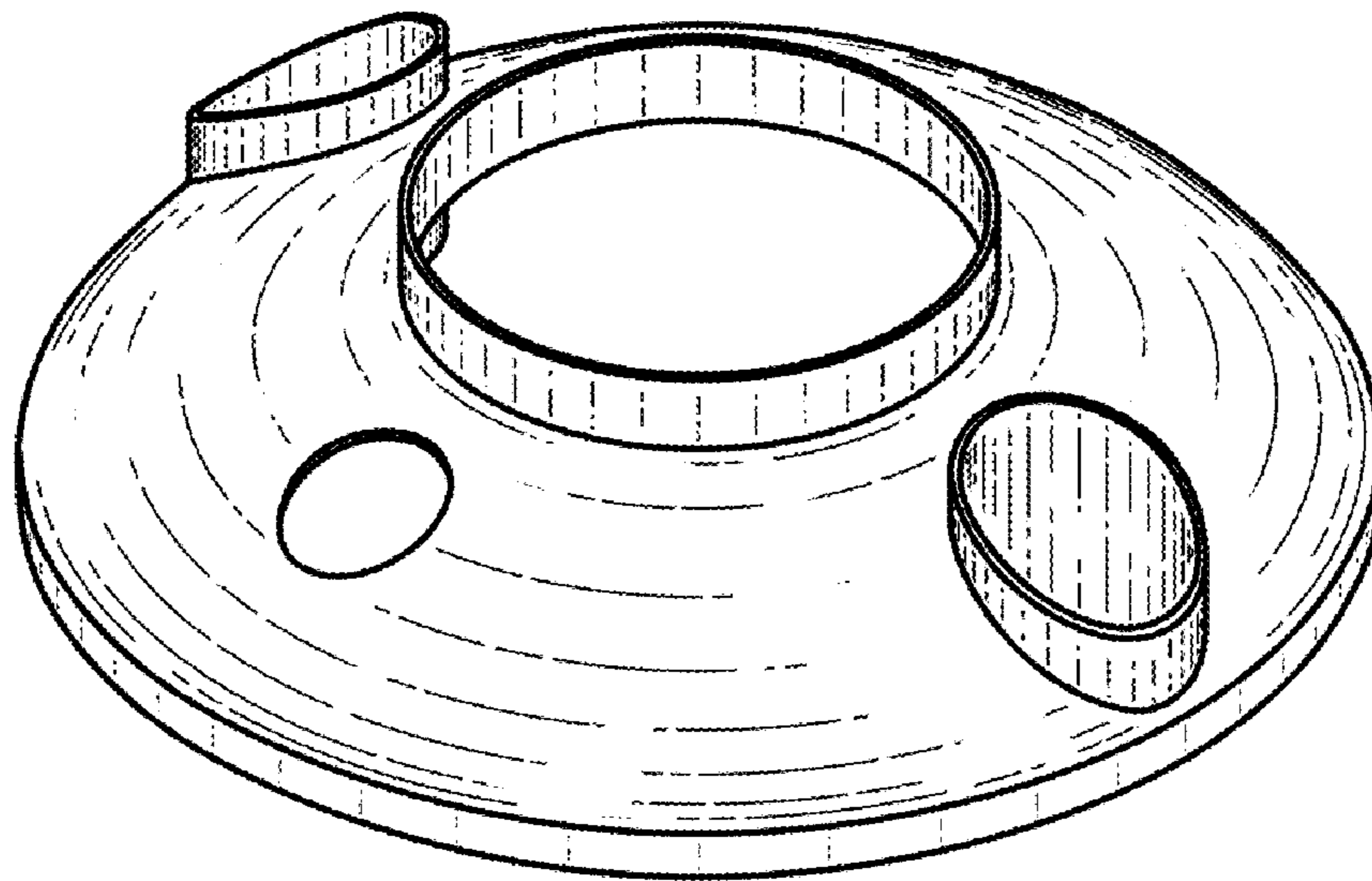
(58) **Field of Classification Search**
USPC D16/200, 202, 203, 208, 218, 219, 237;
348/143, 151, 373-376; 358/906;
396/12, 427, 535-541

FIG. 6 includes a top plan view of the surveillance camera cover of FIG. 1; and,

FIG. 7 includes a bottom plan view of the surveillance camera cover of FIG. 1.

See application file for complete search history.

1 Claim, 3 Drawing Sheets



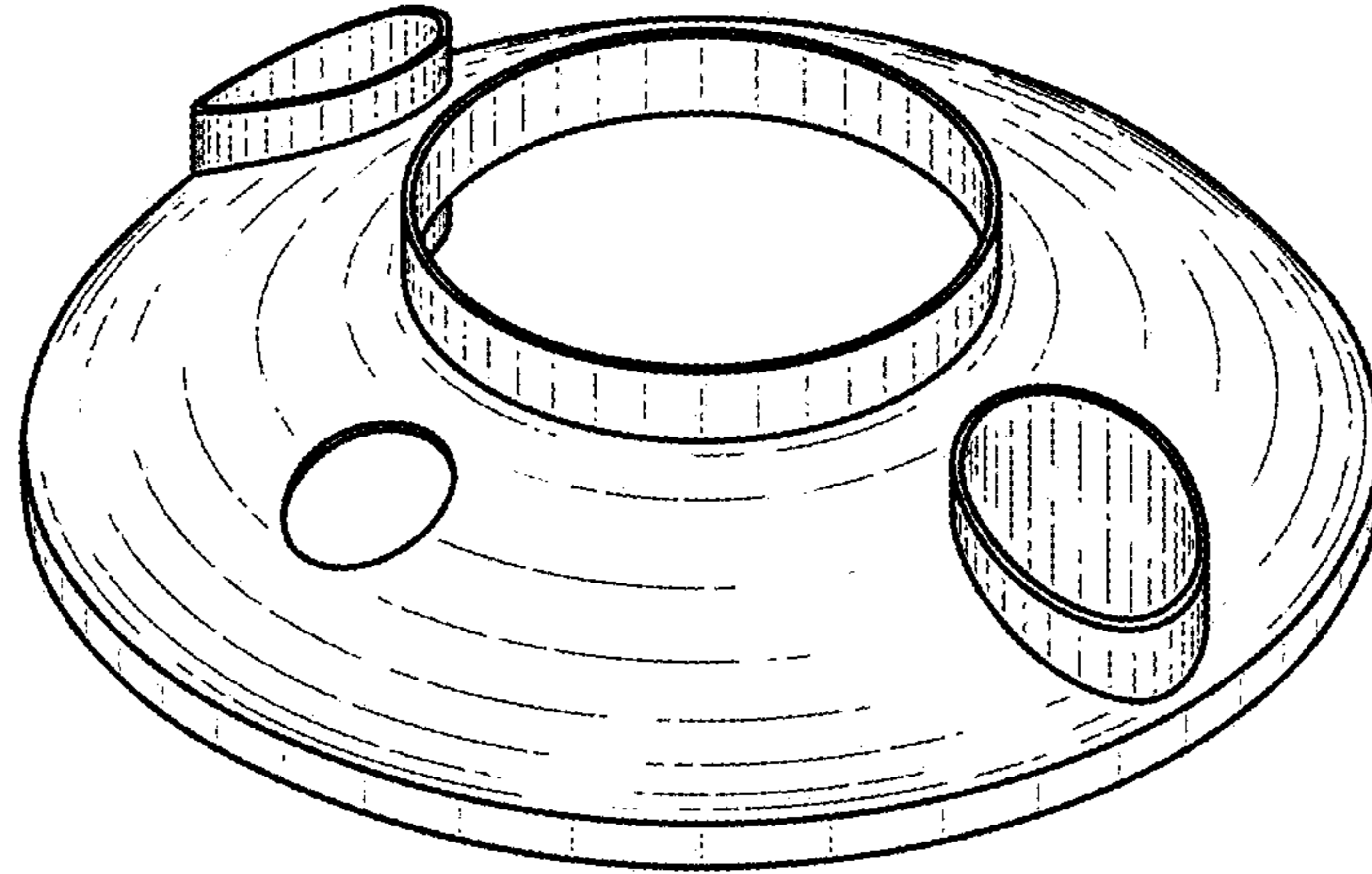


FIG. 1

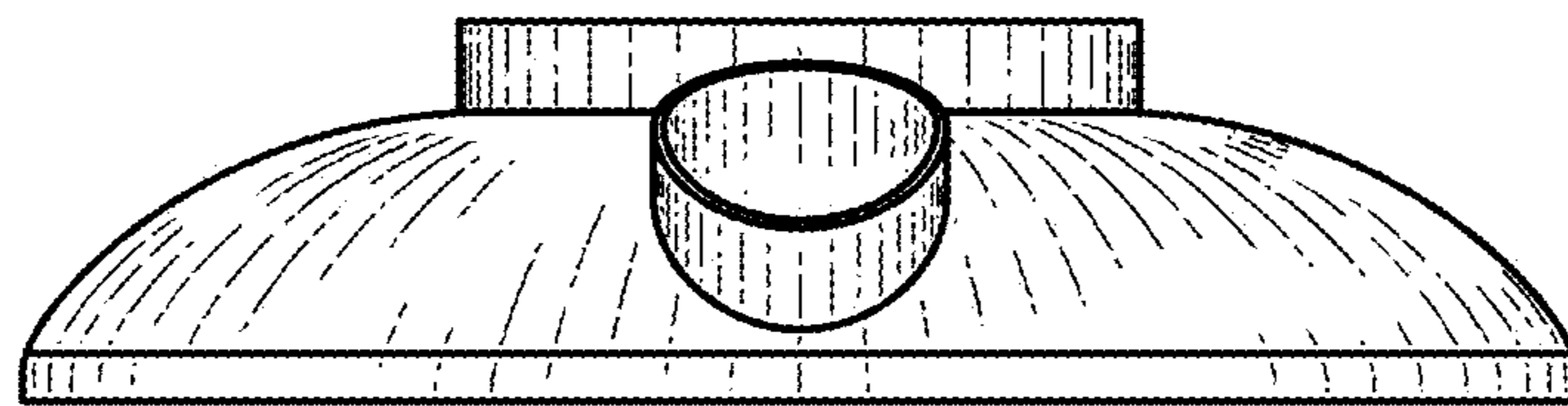


FIG. 2

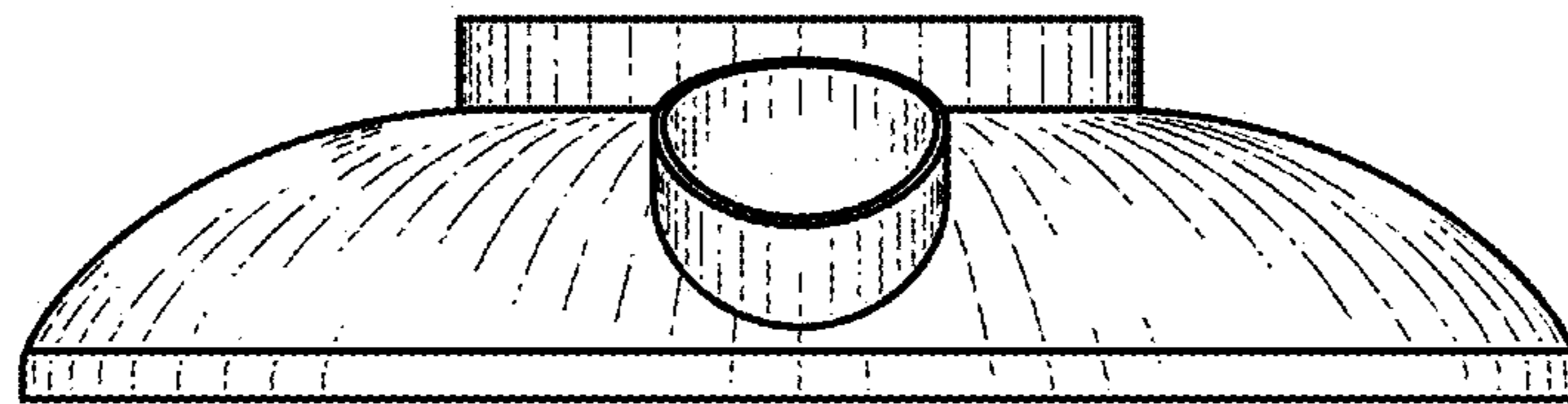


FIG. 3

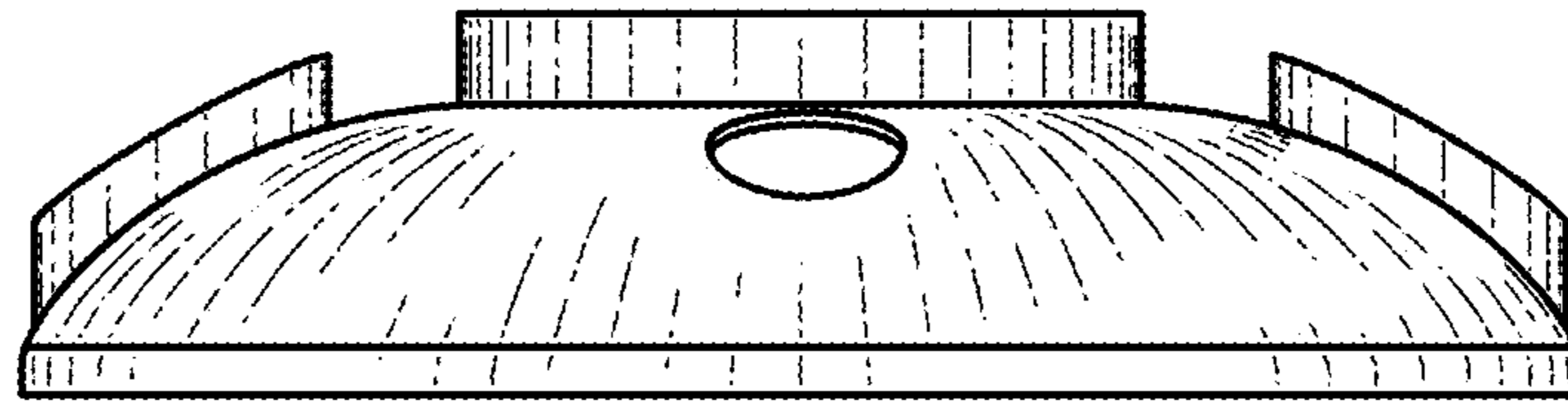


FIG. 4

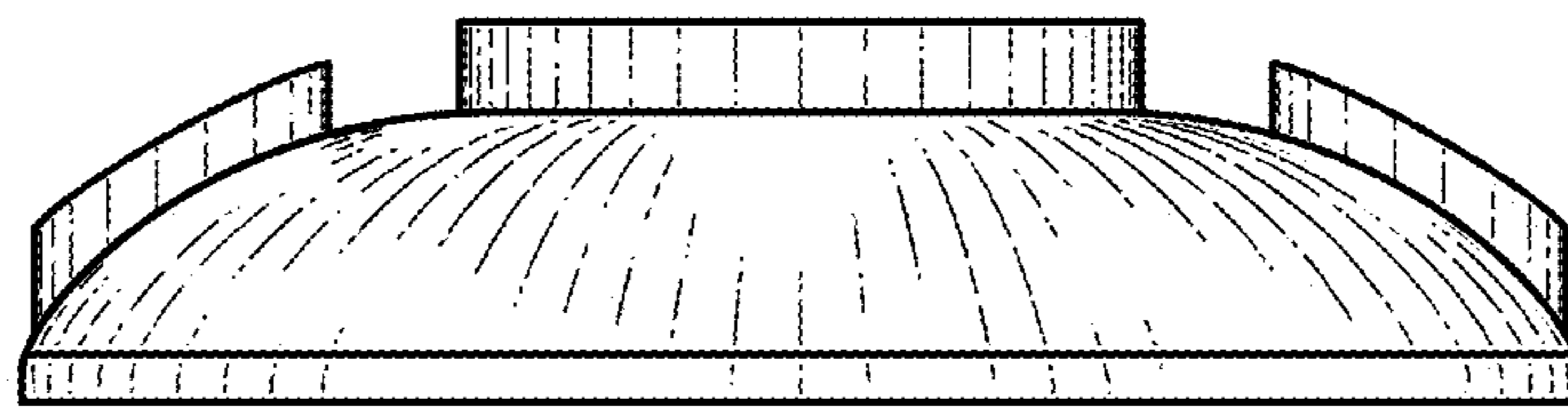


FIG. 5

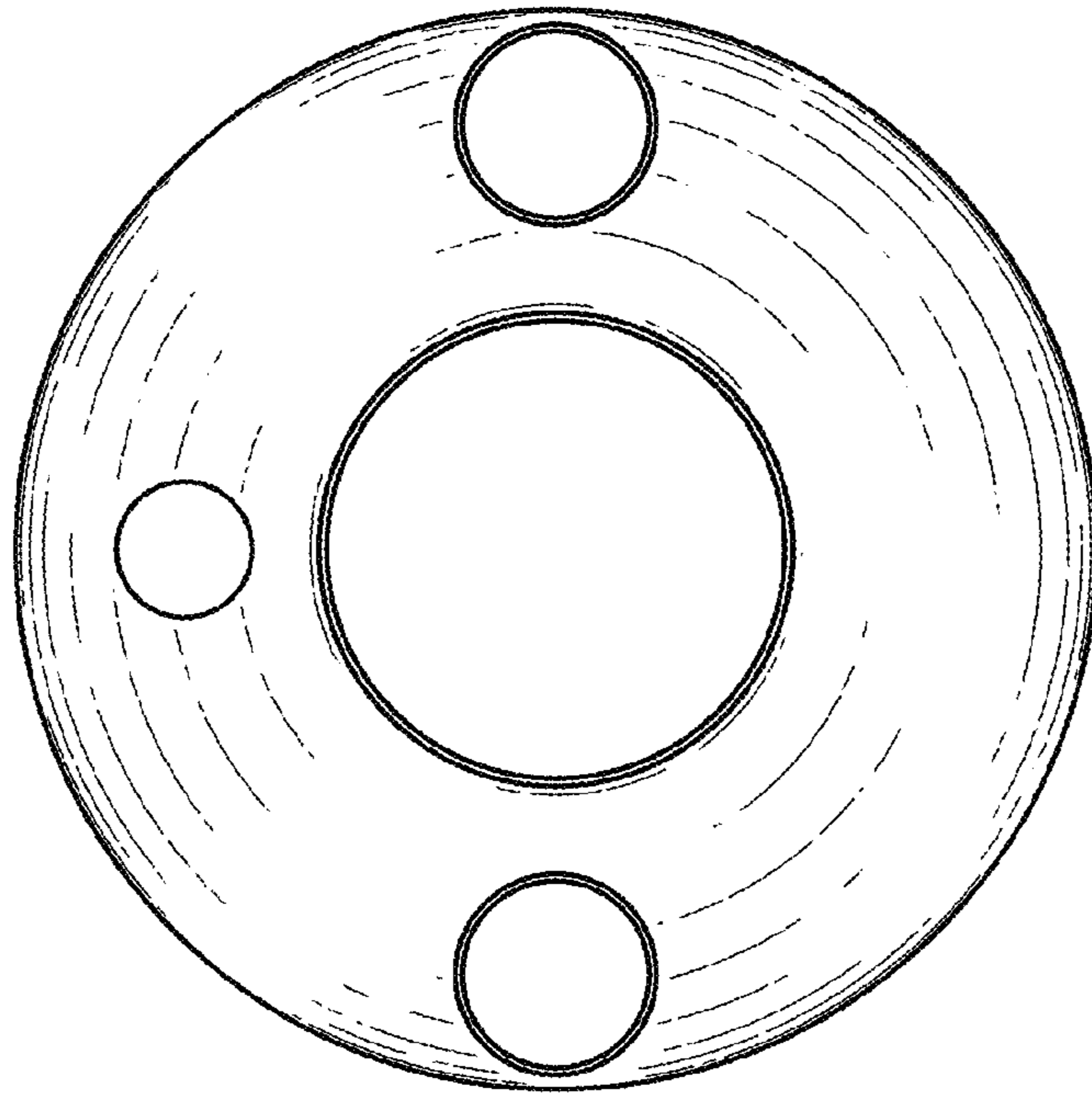


FIG. 6

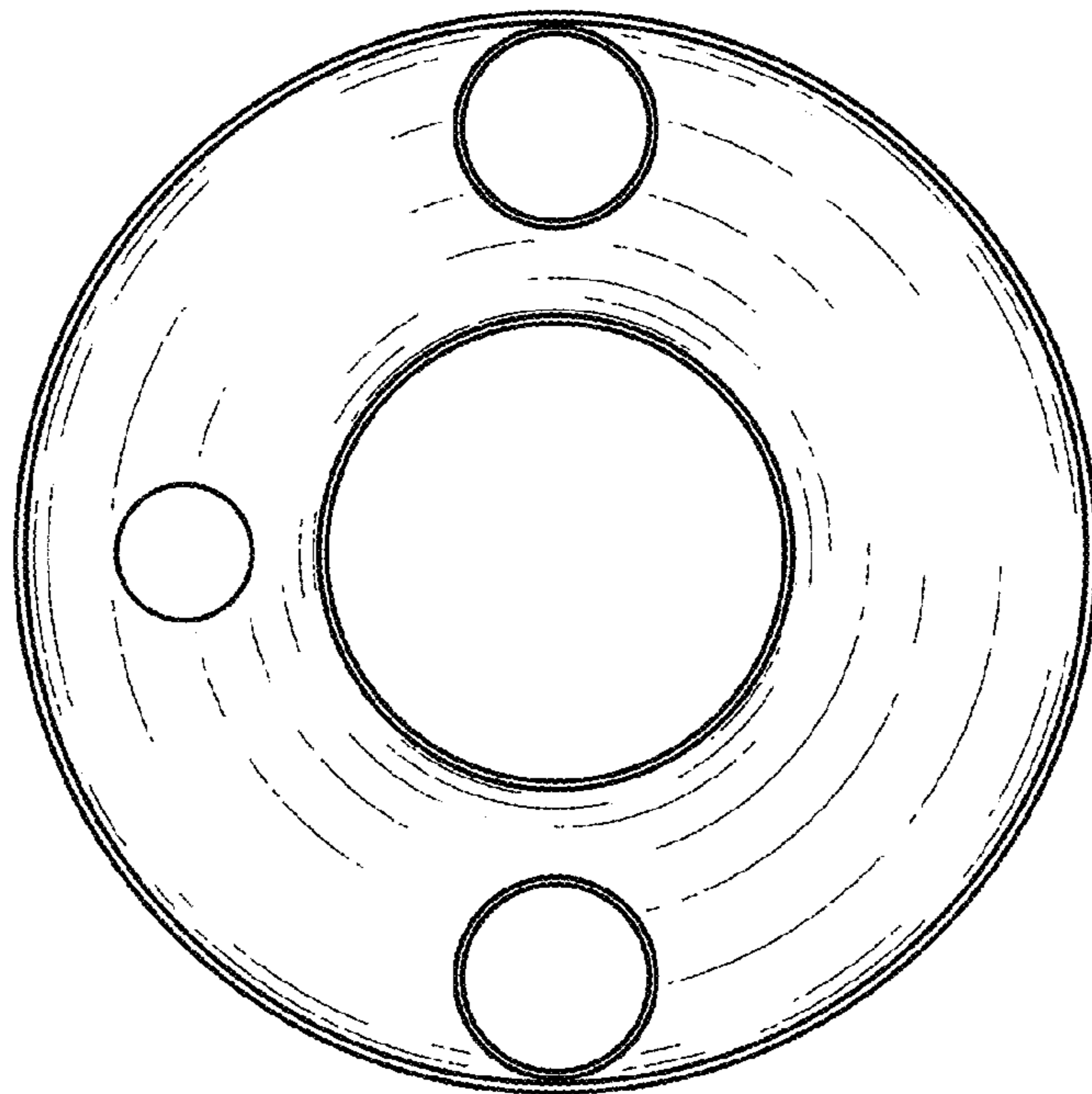


FIG. 7