



US00D745908S

(12) **United States Design Patent**  
**Ham et al.**

(10) **Patent No.:** **US D745,908 S**  
(45) **Date of Patent:** **\*\* Dec. 22, 2015**

(54) **CAMERA**

(71) Applicant: **Samsung Electronics Co., Ltd.**,  
Suwon-si (KR)

(72) Inventors: **Min-Ki Ham**, Seoul (KR); **Kwan-Hee Lee**, Seoul (KR)

(73) Assignee: **Samsung Electronics Co., Ltd.**,  
Suwon-si (KR)

(\*\*) Term: **14 Years**

(21) Appl. No.: **29/497,240**

(22) Filed: **Jul. 22, 2014**

(30) **Foreign Application Priority Data**

May 2, 2014 (KR) ..... 30-2014-0022323

(51) **LOC (10) Cl.** ..... **16-01**

(52) **U.S. Cl.**  
USPC ..... **D16/202**

(58) **Field of Classification Search**  
USPC ..... D16/200, 202–206, 208, 218, 219;  
348/340, 373–376; 396/535–541  
CPC ..... G03B 15/03; G03B 17/02; G03B 17/04;  
G03B 17/56; G03B 19/04; H04N 5/2251;  
H04N 5/2252; H04N 5/2253; H04N 5/2254;  
H04N 2101/00

See application file for complete search history.

(56) **References Cited**

**U.S. PATENT DOCUMENTS**

D552,646 S \* 10/2007 Bai ..... D16/202  
D555,689 S \* 11/2007 Yoo et al. .... D16/202

D556,229 S \* 11/2007 Bai ..... D16/202  
D695,802 S \* 12/2013 Kim et al. .... D16/200  
D695,803 S \* 12/2013 Kyunghan et al. .... D16/202  
D700,229 S \* 2/2014 Ham ..... D16/202  
D712,947 S \* 9/2014 Chai ..... D16/202  
D712,948 S \* 9/2014 Chai ..... D16/202  
D712,949 S \* 9/2014 Kwon et al. .... D16/202  
D713,869 S \* 9/2014 Kim ..... D16/202  
D728,653 S \* 5/2015 Kim et al. .... D16/202  
2011/0216237 A1 \* 9/2011 Shinohara et al. .... 348/373  
2011/0298970 A1 \* 12/2011 Shinohara et al. .... 348/373

\* cited by examiner

*Primary Examiner* — Adir Aronovich

*Assistant Examiner* — Ramzi Almatrahi

(74) *Attorney, Agent, or Firm* — NSIP Law

(57) **CLAIM**

We claim the ornamental design for a camera, as shown and described.

**DESCRIPTION**

FIG. 1 is a front perspective view of a camera showing our new design;

FIG. 2 is a front view thereof;

FIG. 3 is a rear view thereof;

FIG. 4 is a left-side view thereof;

FIG. 5 is a right-side view thereof;

FIG. 6 is a top view thereof;

FIG. 7 is a bottom view thereof; and,

FIG. 8 is an enlarged view of the encircled portion in FIG. 1. The broken lines in the figures show portions of the camera which form no part of the claimed design.

The dot-dot-dash broken lines encircling portions of the claimed design that are illustrated in enlargements form no part of the claimed design.

**1 Claim, 5 Drawing Sheets**

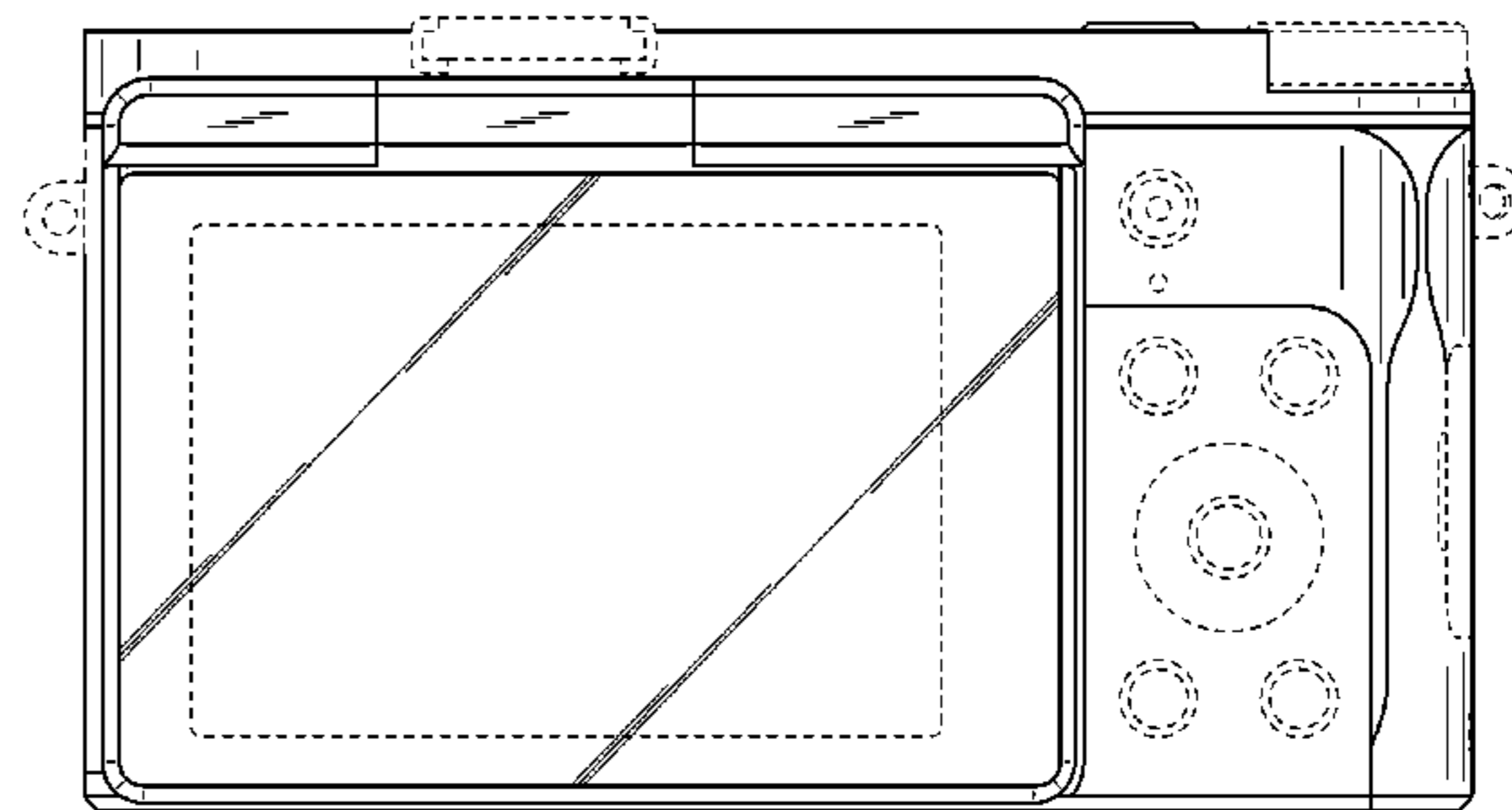
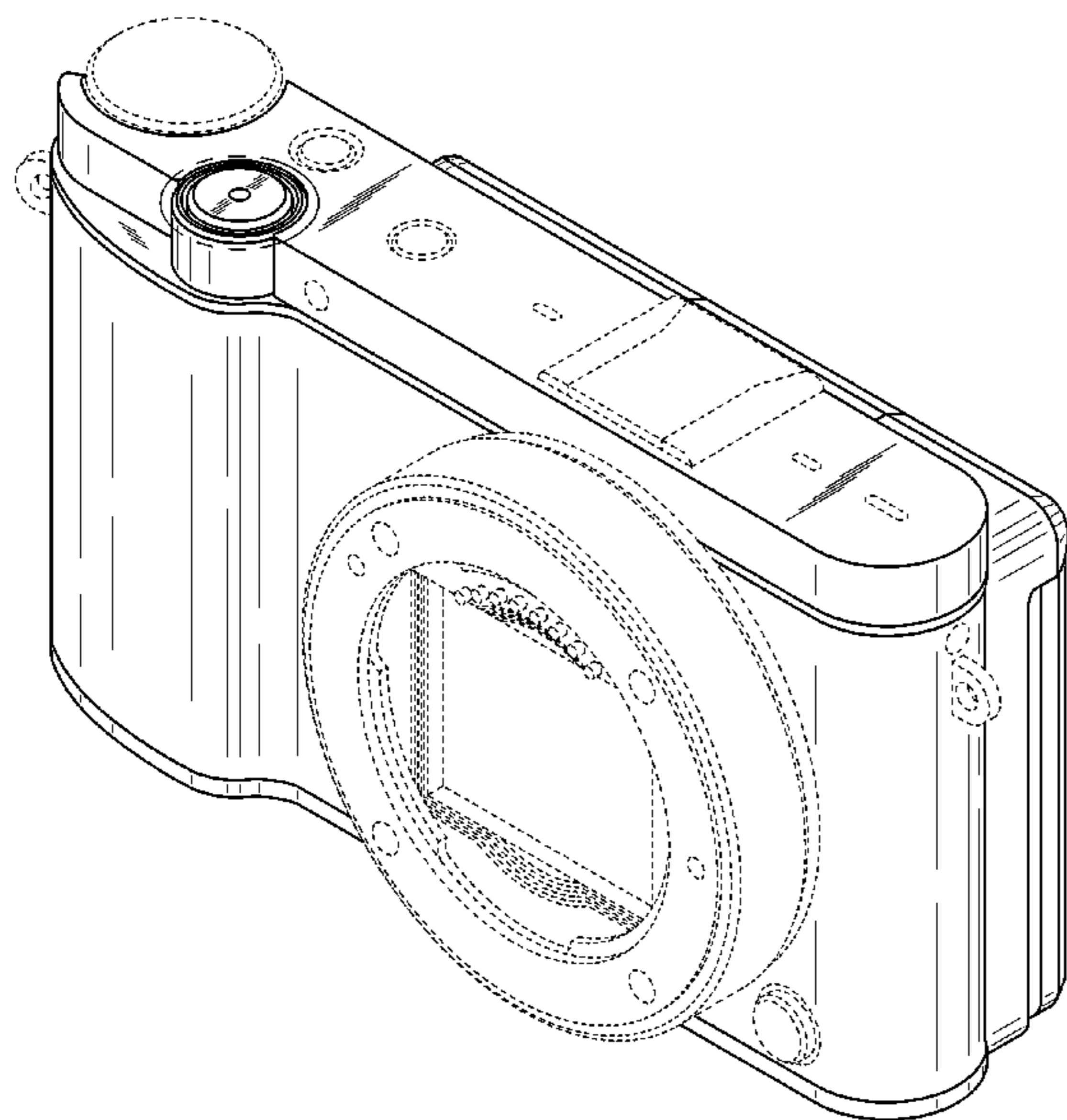


FIG.1

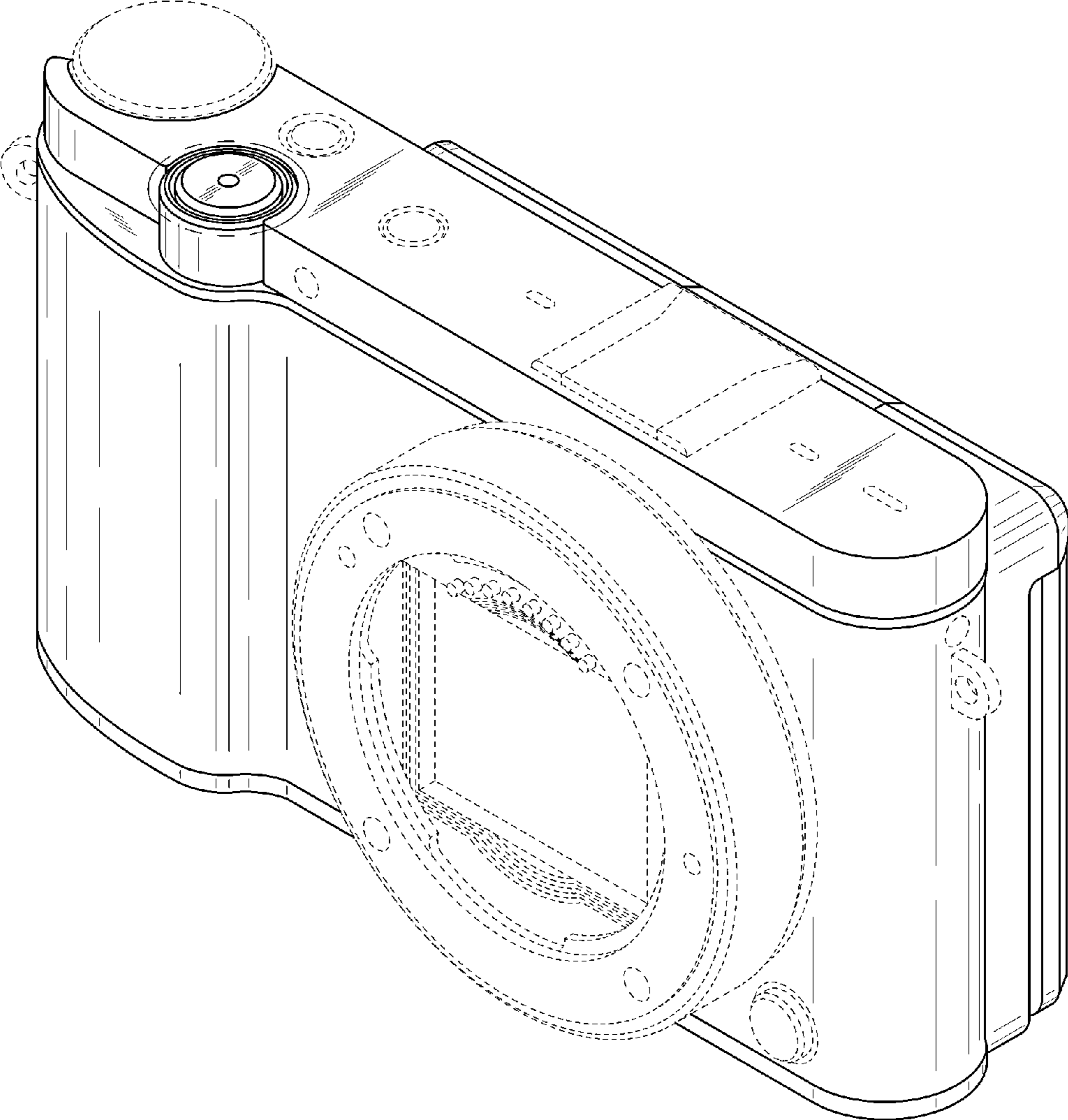


FIG.2

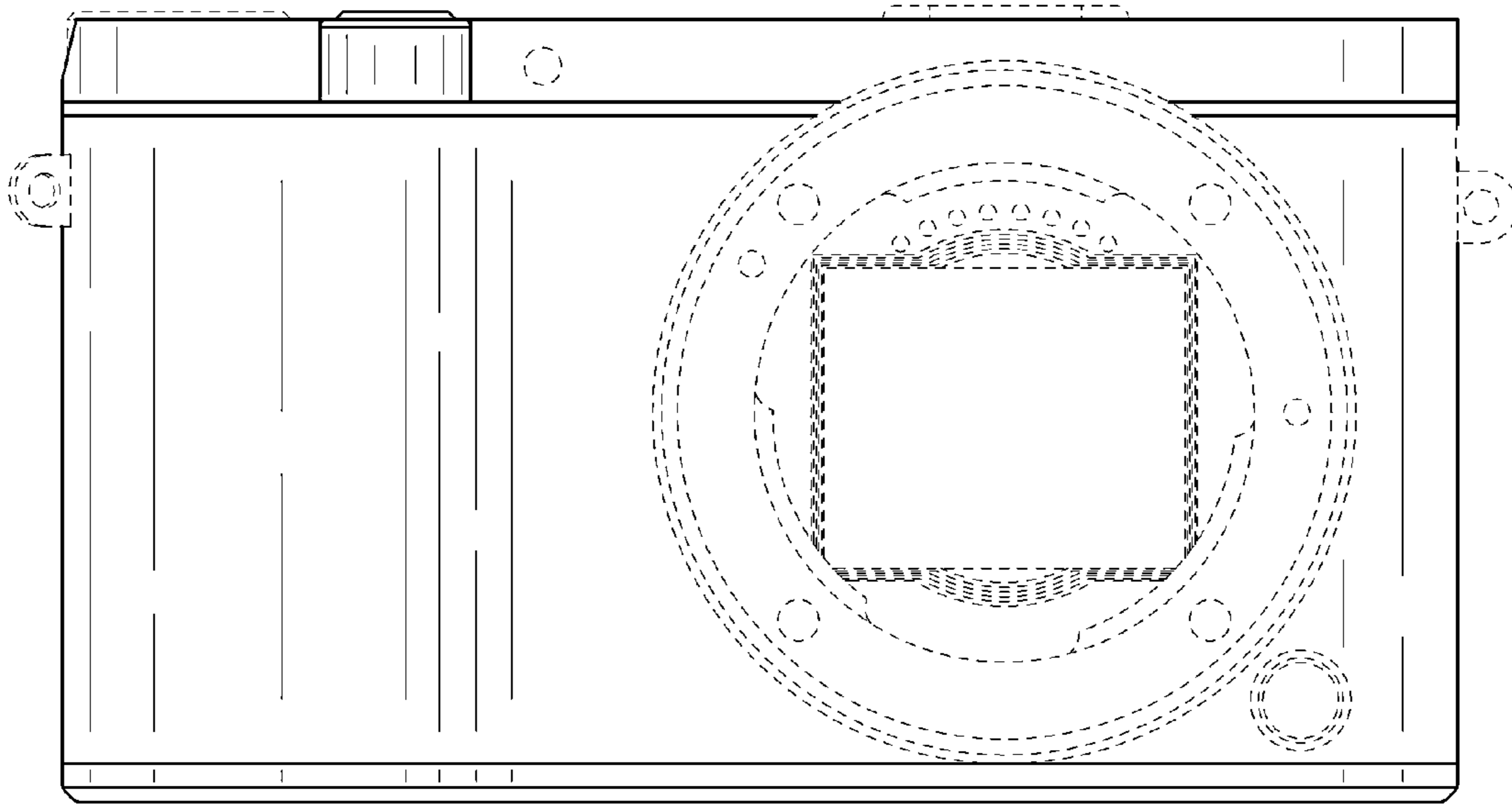


FIG.3

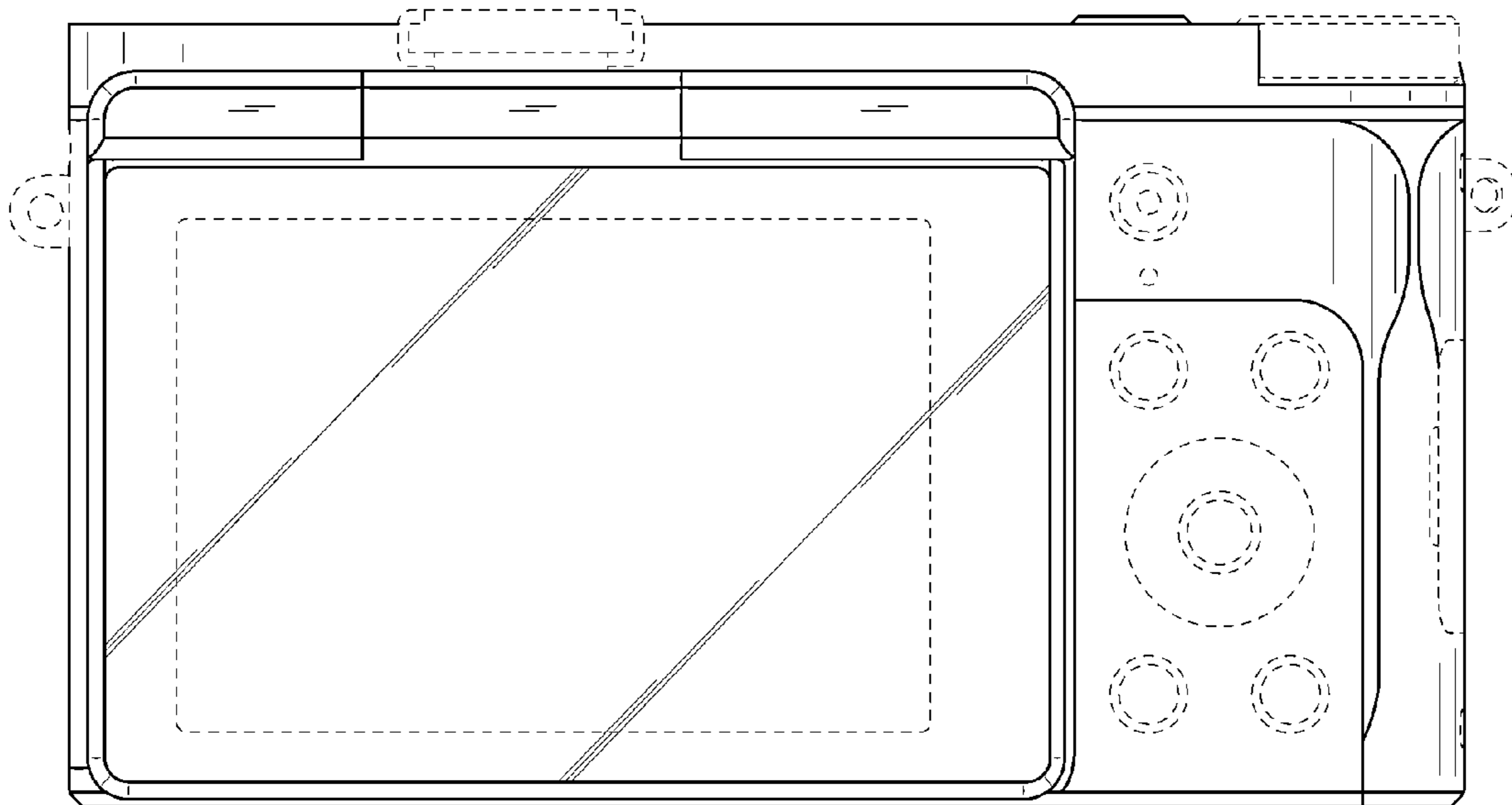


FIG.4

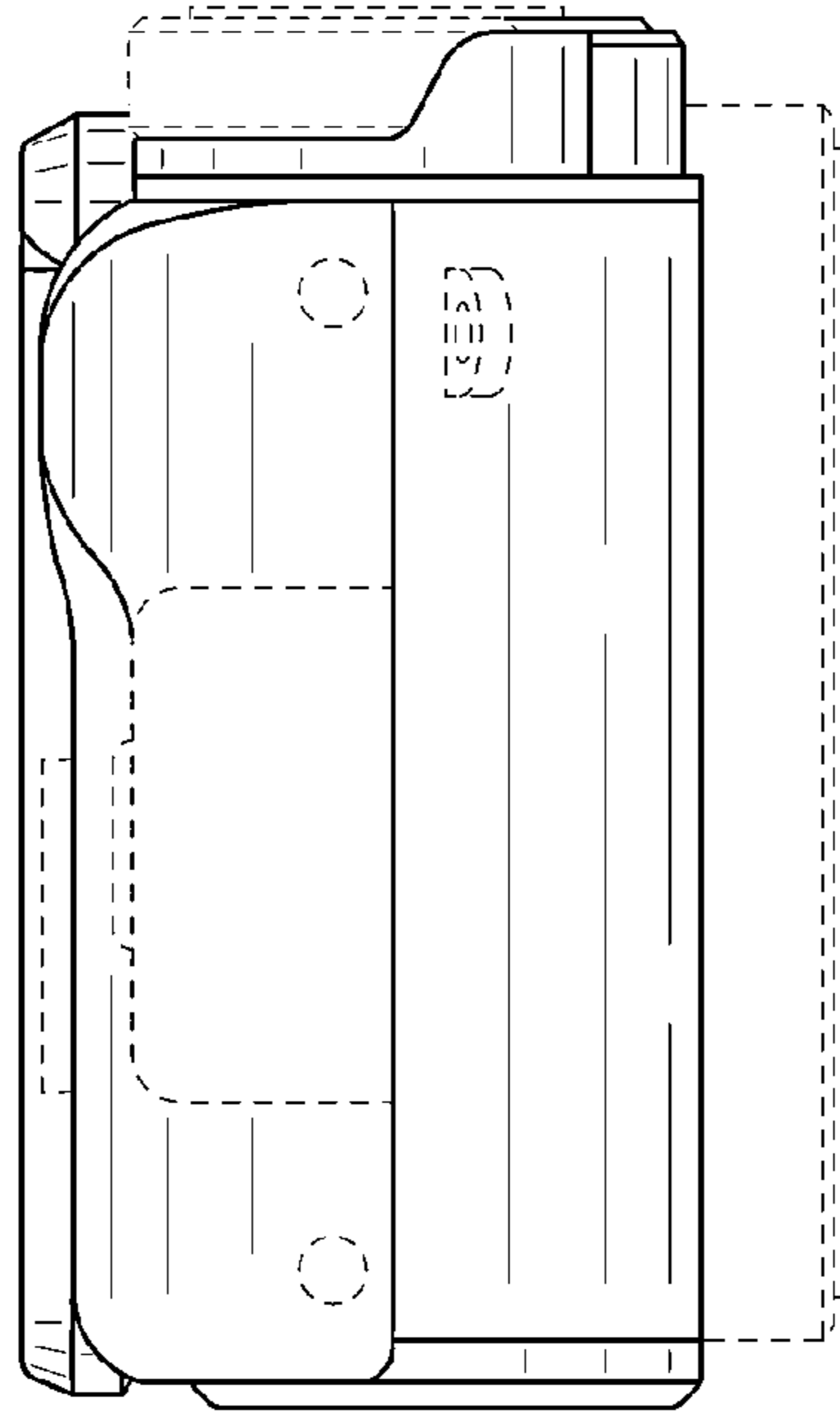


FIG.5

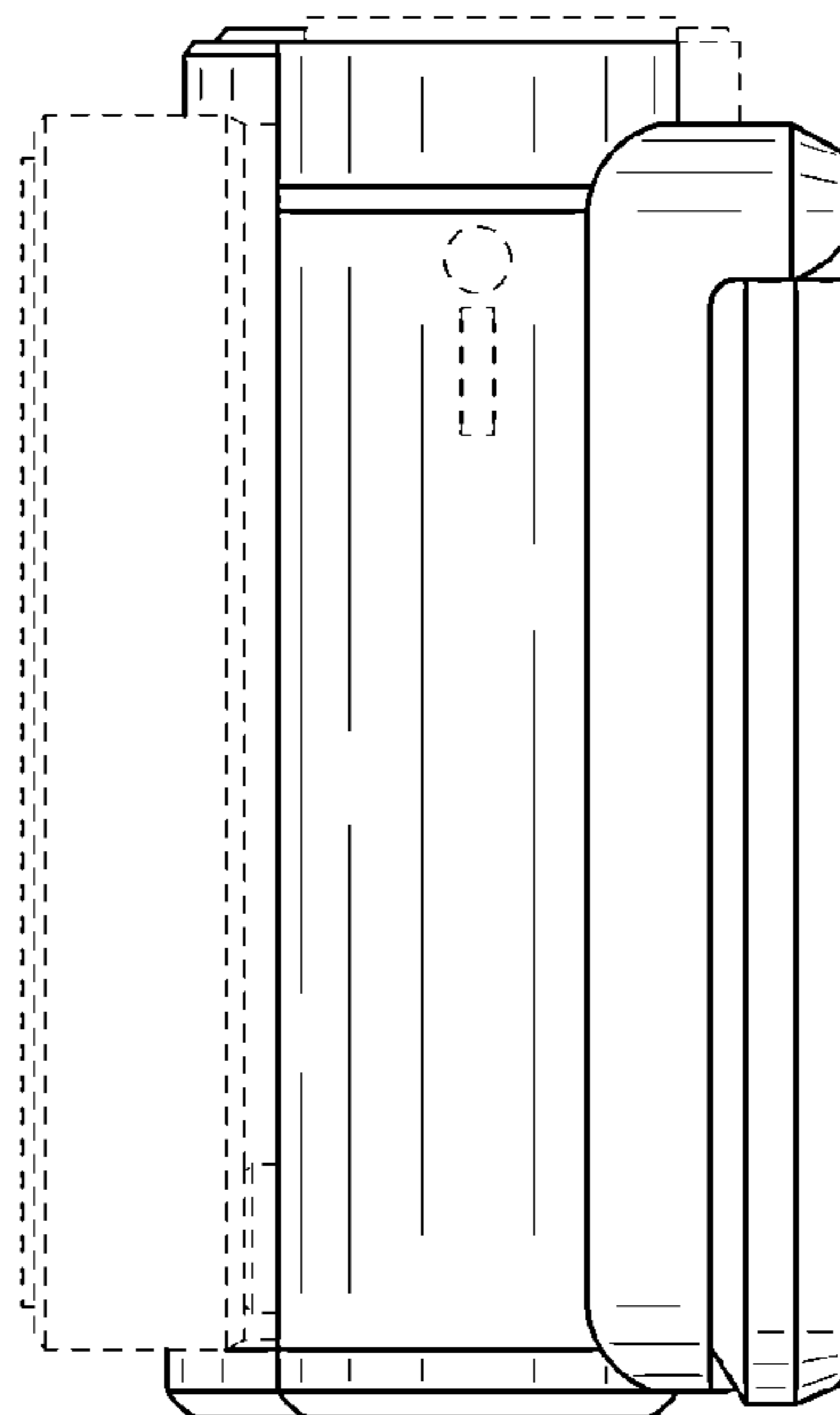


FIG.6

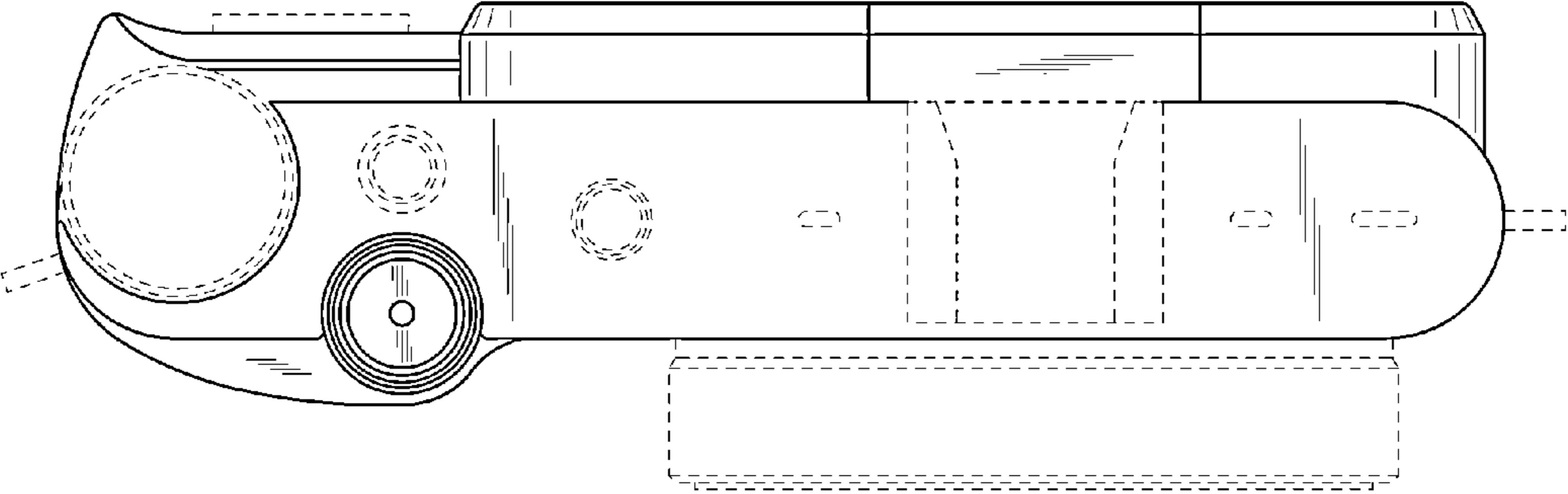


FIG.7

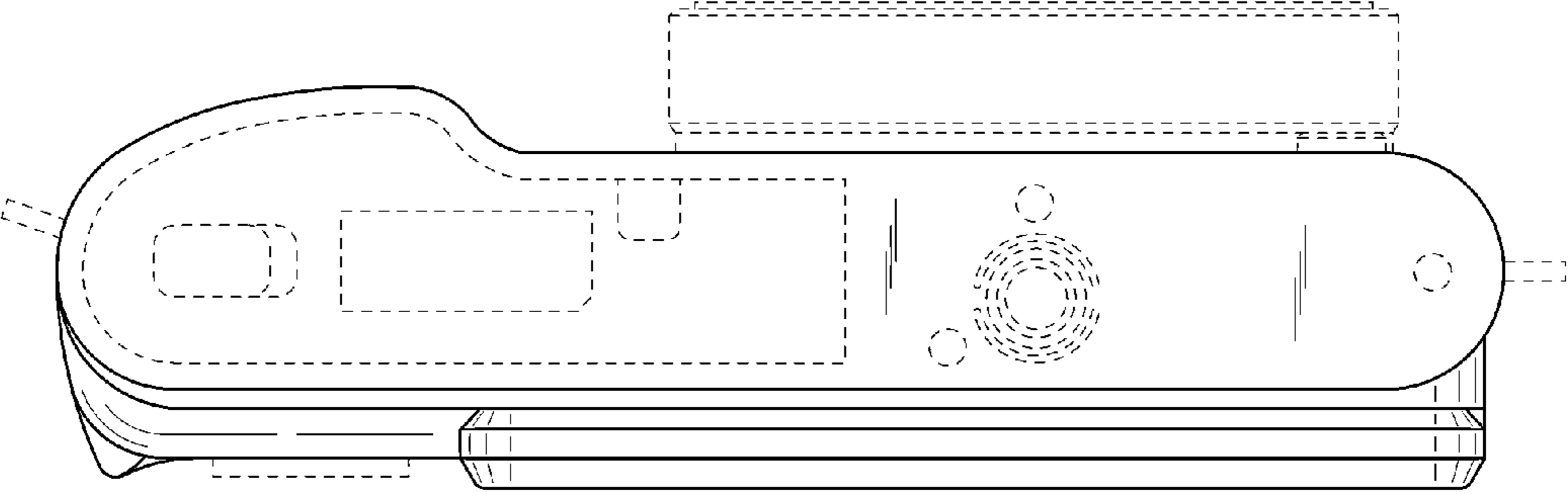


FIG.8

