



US00D745907S

(12) **United States Design Patent**  
**Ham**

(10) **Patent No.:** **US D745,907 S**

(45) **Date of Patent:** **\*\* Dec. 22, 2015**

(54) **CAMERA**

(71) Applicant: **Samsung Electronics Co., Ltd.**,  
Suwon-si, Gyeonggi-do (KR)

(72) Inventor: **Min-Ki Ham**, Seoul (KR)

(73) Assignee: **SAMSUNG ELECTRONICS CO., LTD.** (KR)

(\*\*) Term: **14 Years**

(21) Appl. No.: **29/495,582**

(22) Filed: **Jul. 2, 2014**

(30) **Foreign Application Priority Data**

Jan. 9, 2014 (KR) ..... 30-2014-0001391

(51) **LOC (10) Cl.** ..... **16-01**

(52) **U.S. Cl.**  
USPC ..... **D16/202**

(58) **Field of Classification Search**  
USPC ..... D16/200, 202-206, 208, 217, 218, 219;  
348/373-376; 396/535-541  
CPC ..... G03B 15/03; G03B 17/02; G03B 17/04;  
G03B 17/56; G03B 19/04; H04N 5/2251;  
H04N 5/2252; H04N 5/2253; H04N 5/2254;  
H04N 2101/00

See application file for complete search history.

(56) **References Cited**

U.S. PATENT DOCUMENTS

7,646,426	B2 *	1/2010	Saiki et al.	348/373
D665,002	S *	8/2012	Kwon et al.	D16/202
D669,110	S *	10/2012	Noh	D16/202
D682,906	S *	5/2013	Uemachi et al.	D16/202
D688,291	S *	8/2013	Yum	D16/202
D700,924	S *	3/2014	Sasaki	D16/202
D711,450	S *	8/2014	Yamauchi	D16/202
8,810,724	B2 *	8/2014	Ikezawa	348/374
D712,950	S *	9/2014	Kwon et al.	D16/202
D721,751	S *	1/2015	Fujita	D16/202
D722,332	S *	2/2015	Kobayashi	D16/202
D727,386	S *	4/2015	Kobayashi	D16/202
D729,297	S *	5/2015	Ikegame	D16/202

\* cited by examiner

*Primary Examiner* — Adir Aronovich

*Assistant Examiner* — Ramzi Almatrahi

(74) *Attorney, Agent, or Firm* — Cantor Colburn LLP

(57) **CLAIM**

The ornamental design for a camera, as shown and described.

**DESCRIPTION**

FIG. 1 is a front perspective view of a camera showing my new design;  
FIG. 2 is a front elevation view thereof;  
FIG. 3 is a rear elevation view thereof;  
FIG. 4 is a left side elevation view thereof;  
FIG. 5 is a right side elevation view thereof;  
FIG. 6 is a top plan view thereof;  
FIG. 7 is a bottom plan view thereof; and  
FIG. 8 is a rear perspective view thereof.  
The broken lines depict portions of a camera in which the design is embodied and form no part of the claimed design.

**1 Claim, 5 Drawing Sheets**

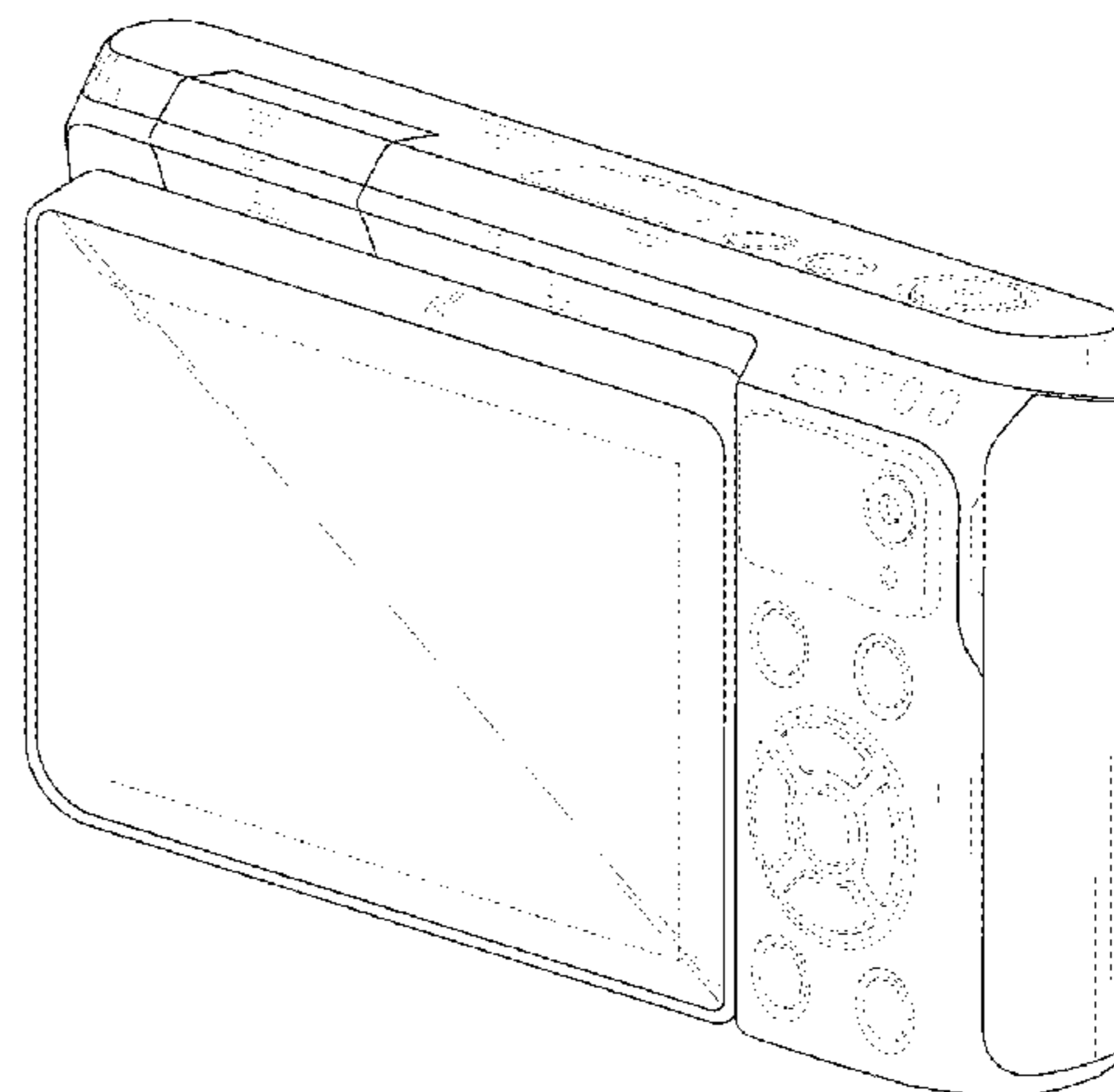
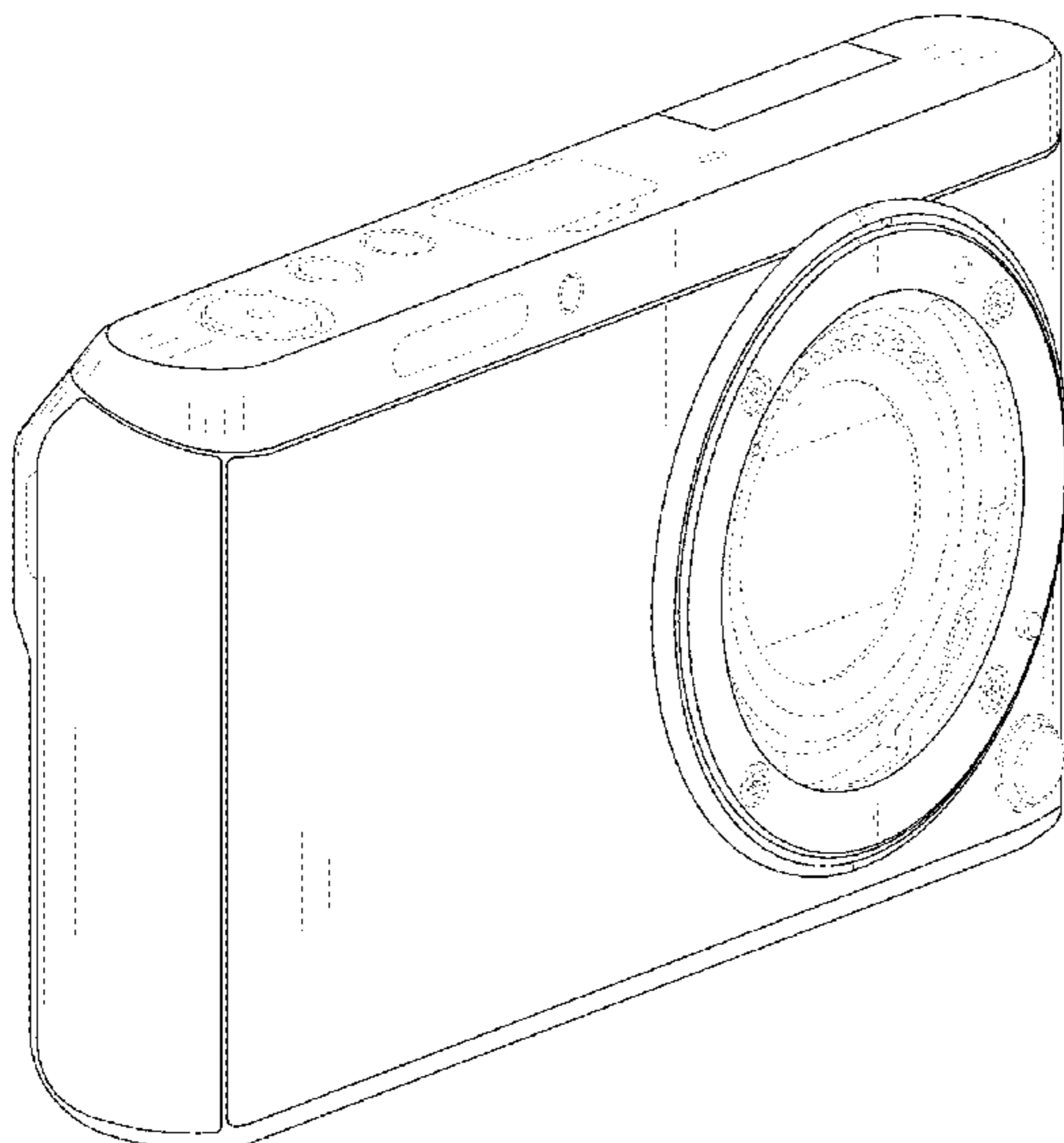


FIG. 1

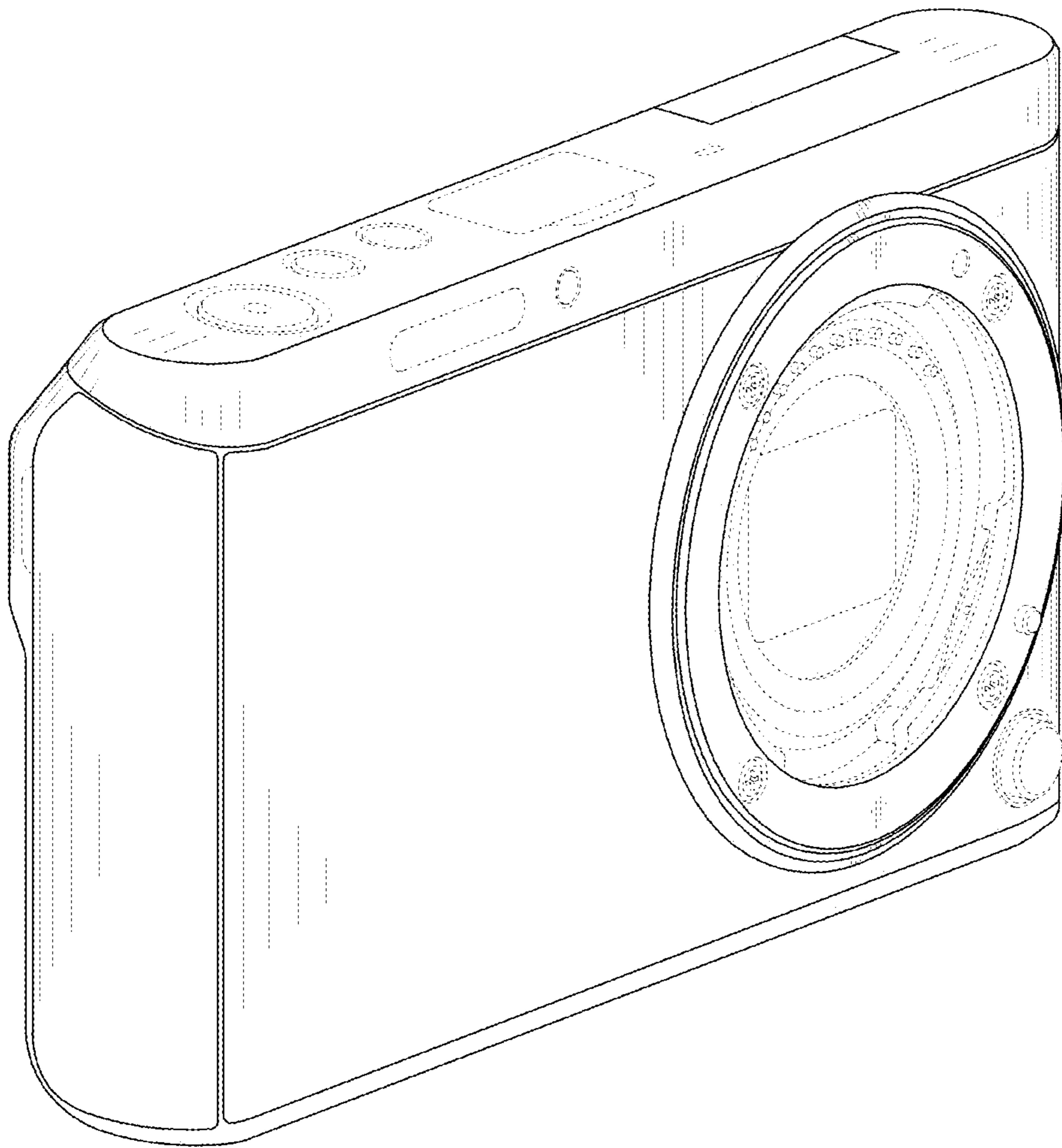


FIG. 2

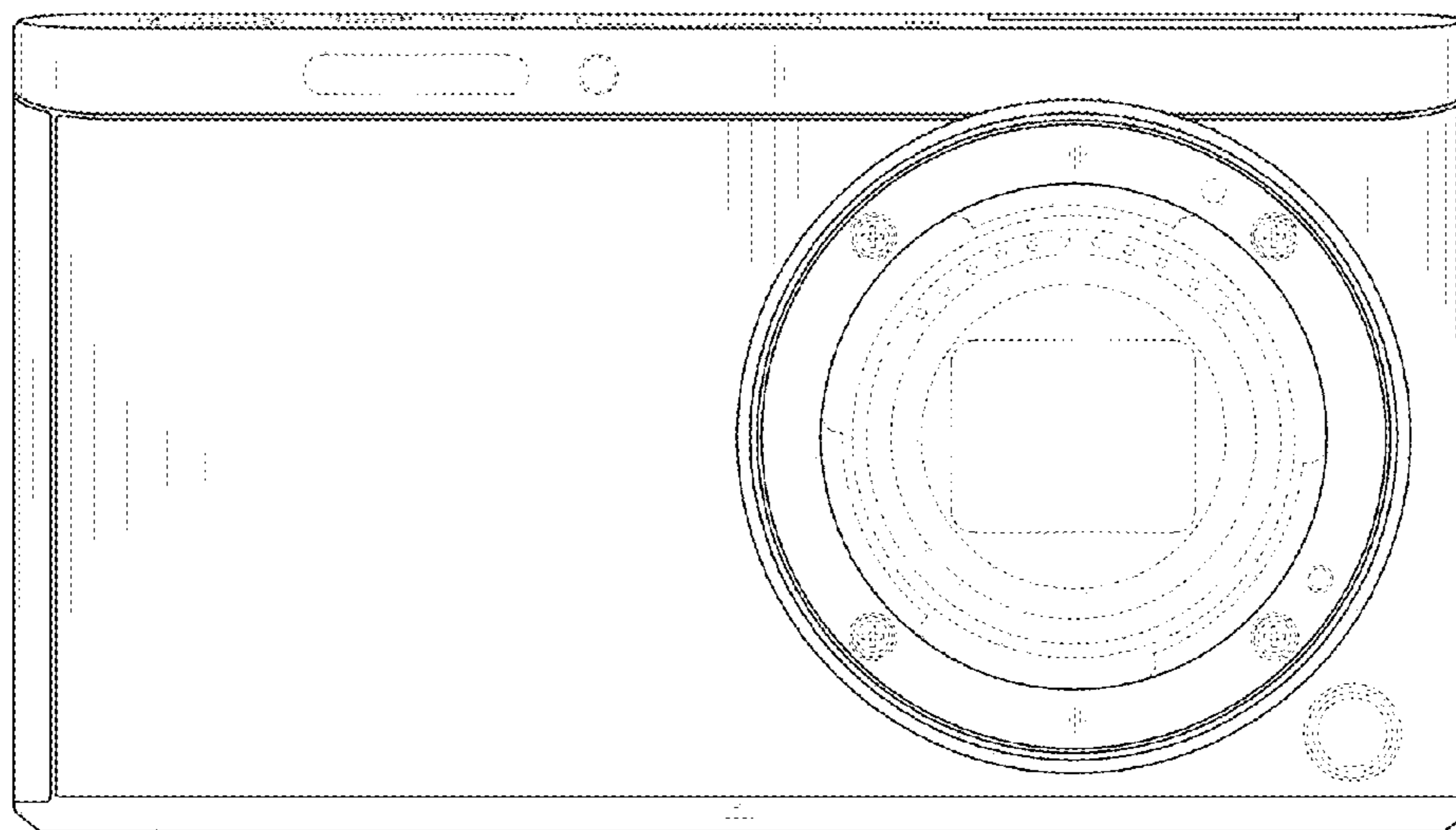


FIG. 3

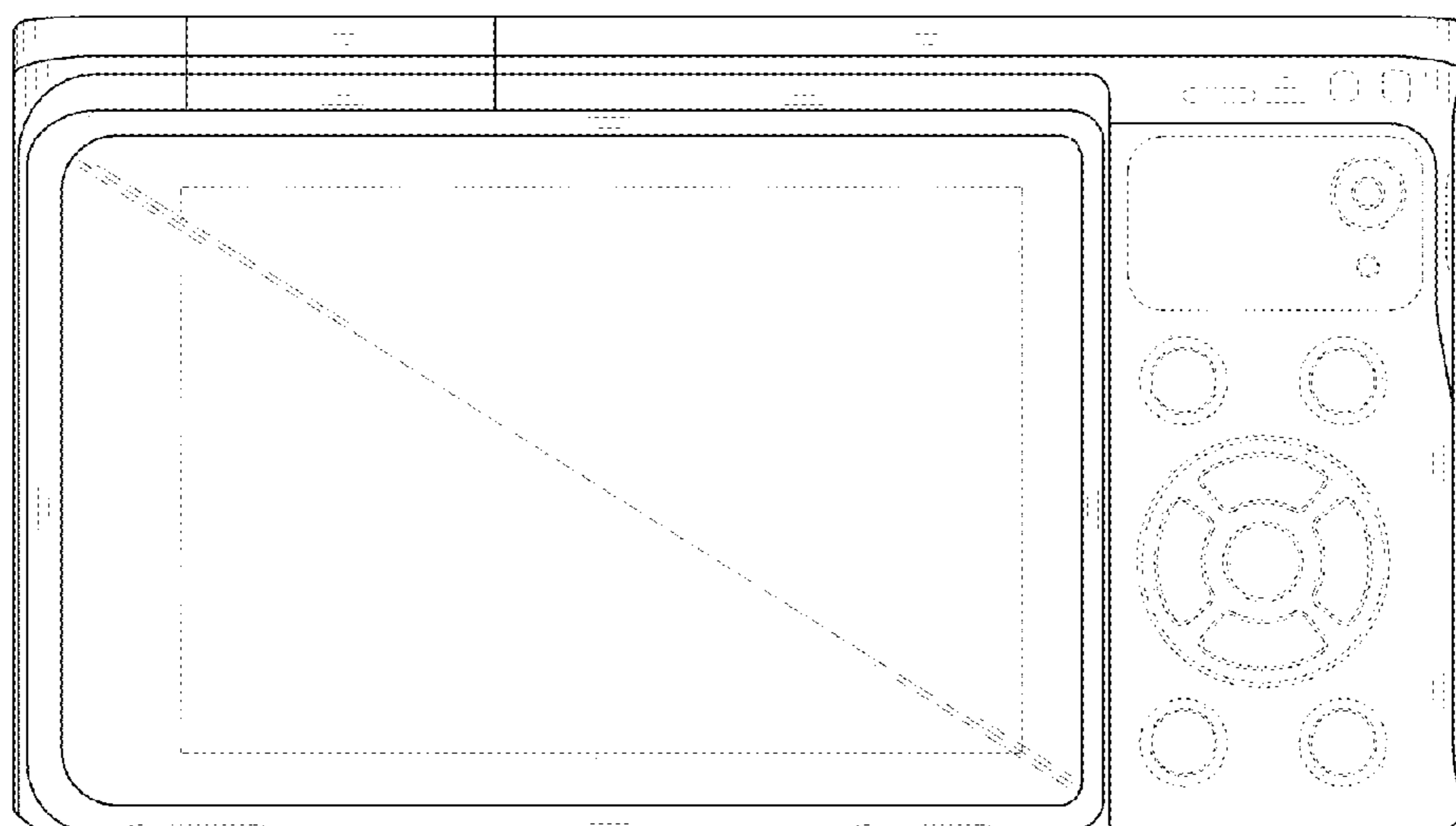


FIG. 4

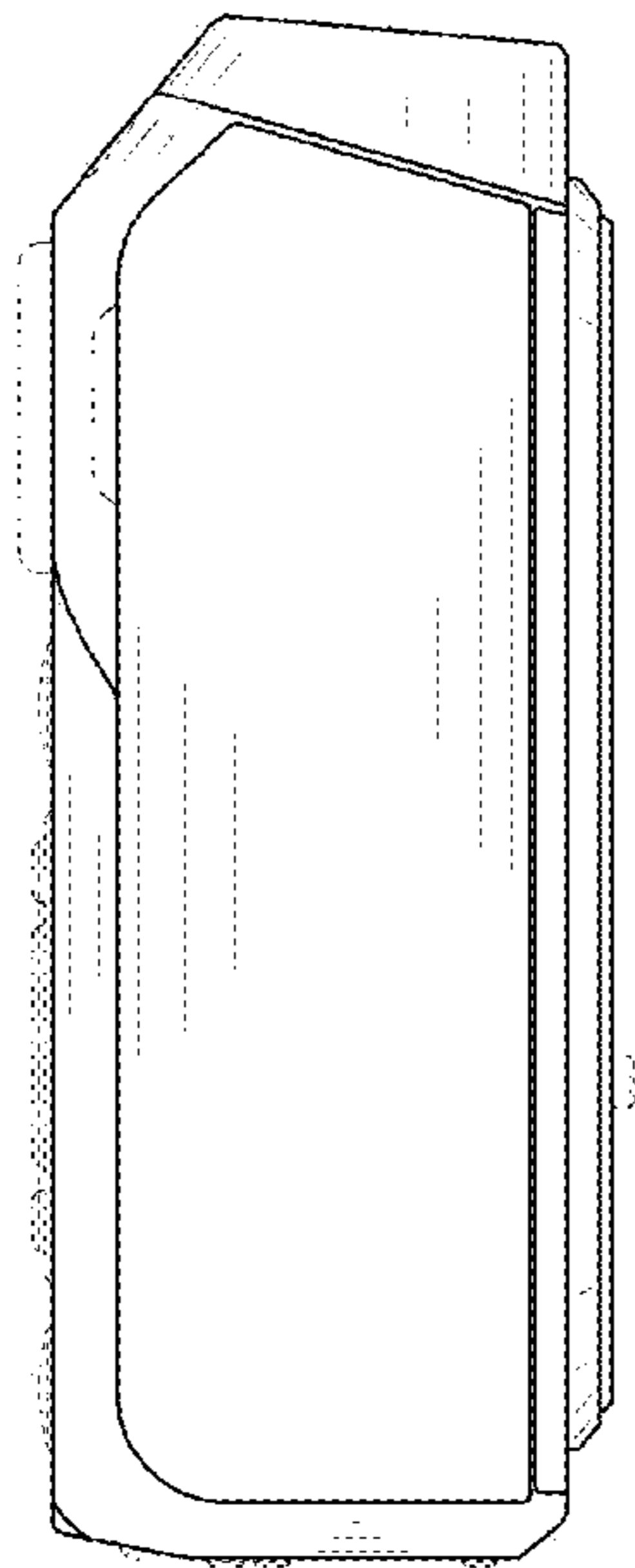


FIG. 5

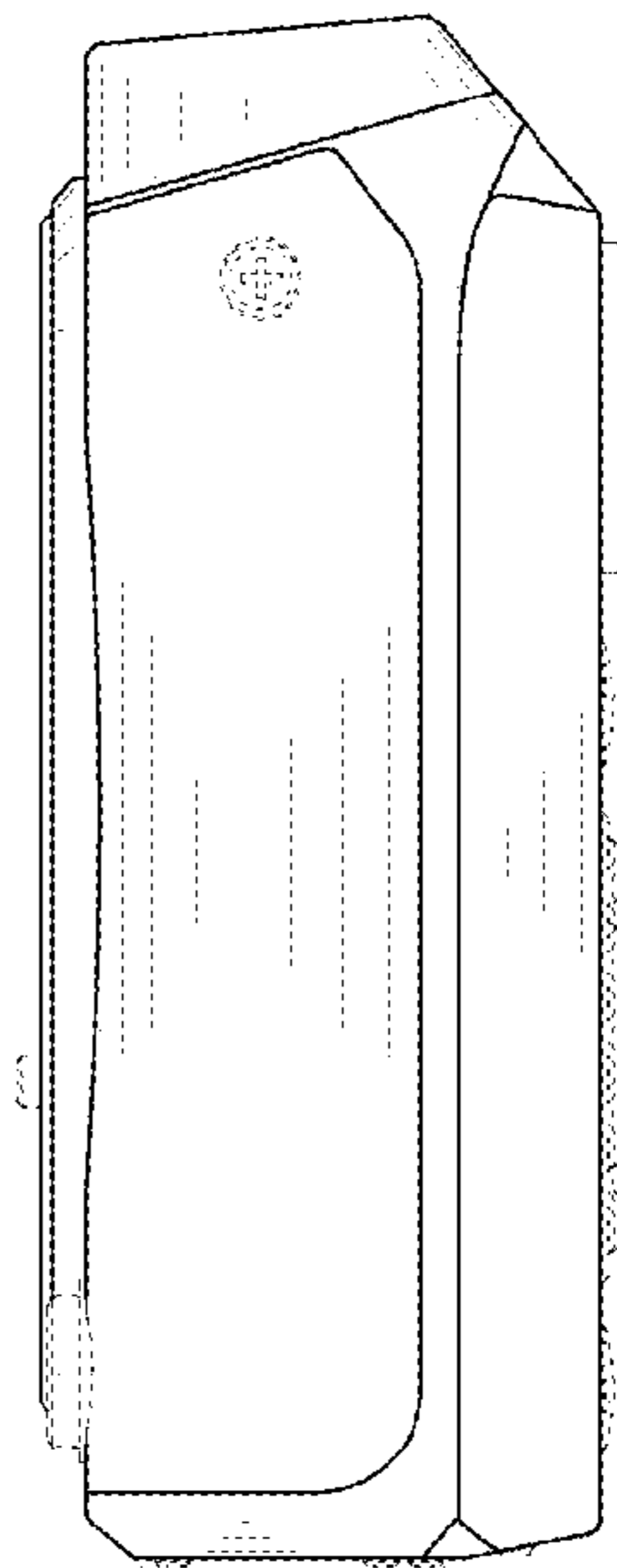


FIG. 6

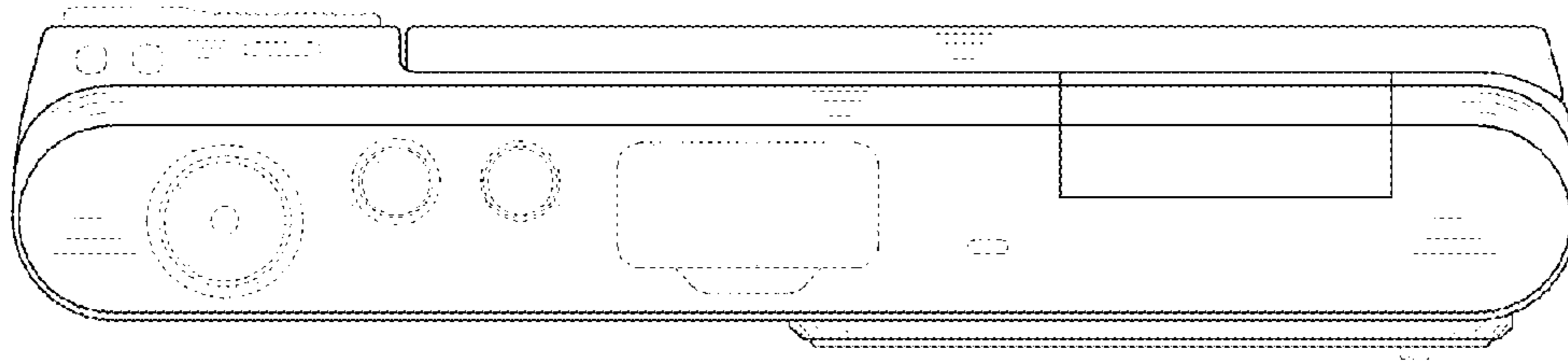


FIG. 7

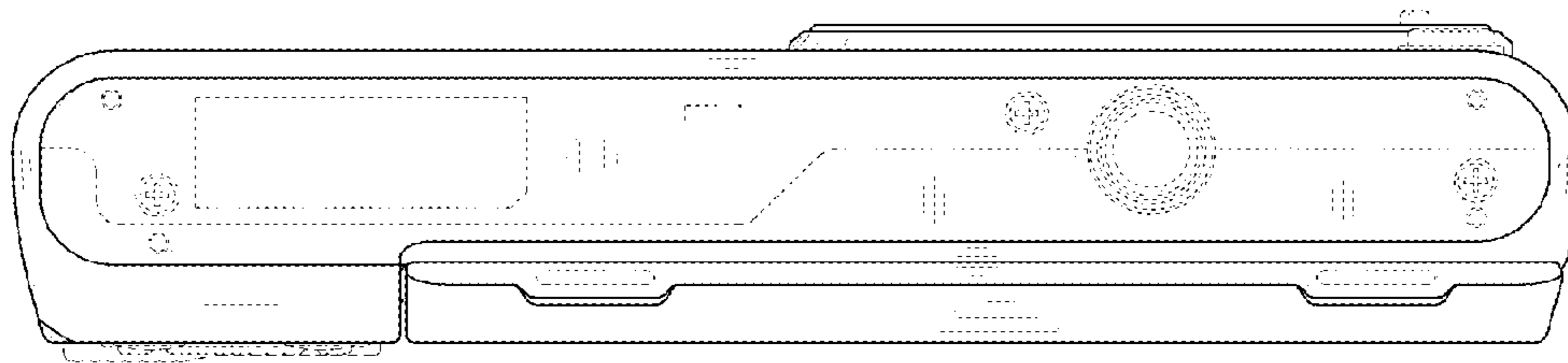


FIG. 8

