



US00D745905S

(12) **United States Design Patent**  
**Jin**

(10) **Patent No.:** **US D745,905 S**

(45) **Date of Patent:** **\*\* Dec. 22, 2015**

(54) **FIBER THERMAL STRIPPING DEVICE**

(71) Applicant: **DH INFOTECH (WEIHAD) INC.,**  
WeiHai, Shandong Province (CN)

(72) Inventor: **Xun Jin,** WeiHai (CN)

(73) Assignee: **DH INFOTECH (WEIHAD) INC.,**  
Weihai, Shandong Province (TW)

(\*\*) Term: **14 Years**

(21) Appl. No.: **29/476,690**

(22) Filed: **Dec. 16, 2013**

(30) **Foreign Application Priority Data**

Oct. 11, 2013 (CN) ..... 2013 3 0479407

(51) **LOC (10) Cl.** ..... **15-09**

(52) **U.S. Cl.**  
USPC ..... **D15/144**

(58) **Field of Classification Search**  
USPC ..... D15/144, 144.1, 144.2  
See application file for complete search history.

(56) **References Cited**

**U.S. PATENT DOCUMENTS**

5,681,417 A \* 10/1997 Jacobs ..... 156/714  
6,321,621 B1 \* 11/2001 Stepan ..... 81/9.51

6,598,497 B1 \* 7/2003 Mizushima et al. .... 81/9.41  
6,754,960 B1 \* 6/2004 Shiraishi et al. .... 30/90.6  
6,823,761 B2 \* 11/2004 Chiang et al. .... 81/9.51  
7,681,476 B2 \* 3/2010 Fritsche ..... 81/9.51  
D652,850 S \* 1/2012 Song et al. .... D15/144  
8,676,018 B2 \* 3/2014 Barnes et al. .... 385/134  
8,746,525 B2 \* 6/2014 Pepin et al. .... 225/96.5  
9,075,196 B2 \* 7/2015 Homma et al.

\* cited by examiner

*Primary Examiner* — Patricia Palasik

(74) *Attorney, Agent, or Firm* — Muncy, Geissler, Olds & Lowe, P.C.

(57) **CLAIM**

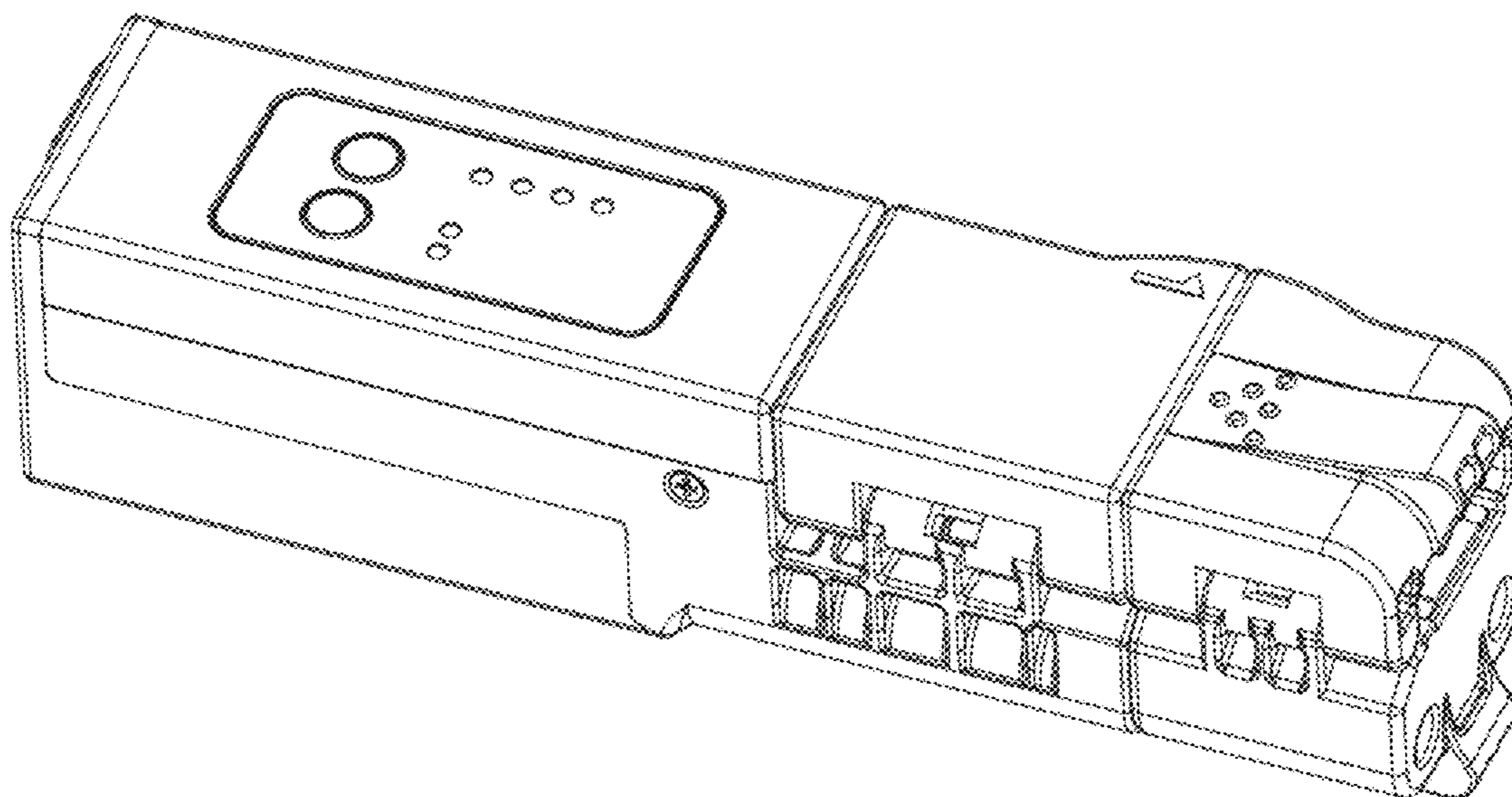
The ornamental design for a fiber thermal stripping device, as shown and described.

**DESCRIPTION**

FIG. 1 is a front, bottom perspective view of a fiber thermal stripping device showing my new design;  
FIG. 2 is a front, top perspective view thereof;  
FIG. 3 is a rear, bottom perspective view thereof;  
FIG. 4 is a rear, top perspective view thereof;  
FIG. 5 is a front elevational view thereof;  
FIG. 6 is a rear elevational thereof;  
FIG. 7 is a top plan view thereof;  
FIG. 8 is a bottom plan view thereof;  
FIG. 9 is a right side view thereof; and,  
FIG. 10 is a left side view thereof.

The broken lines in the drawings depict unclaimed environmental subject matter.

**1 Claim, 10 Drawing Sheets**



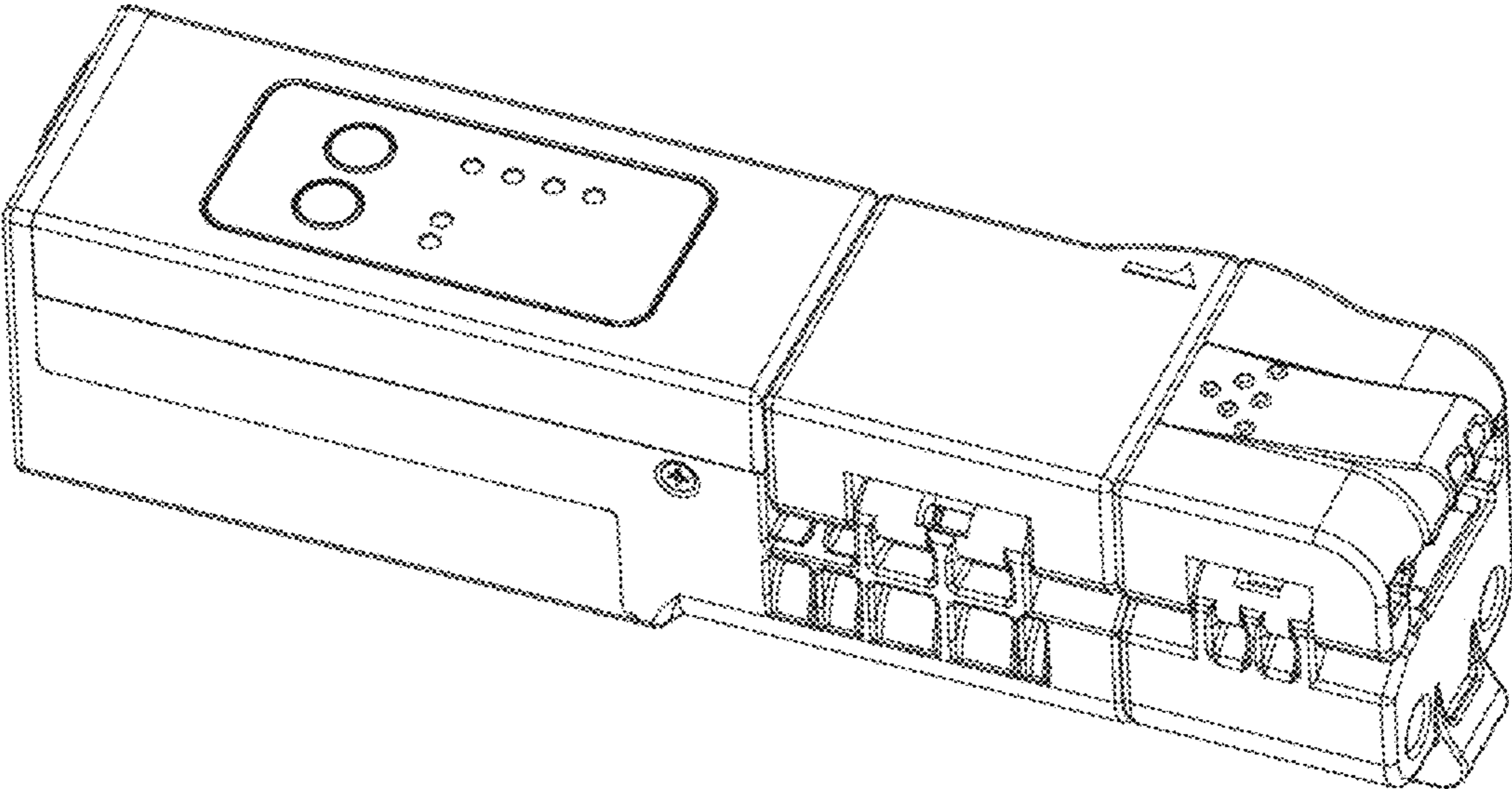


FIG. 1

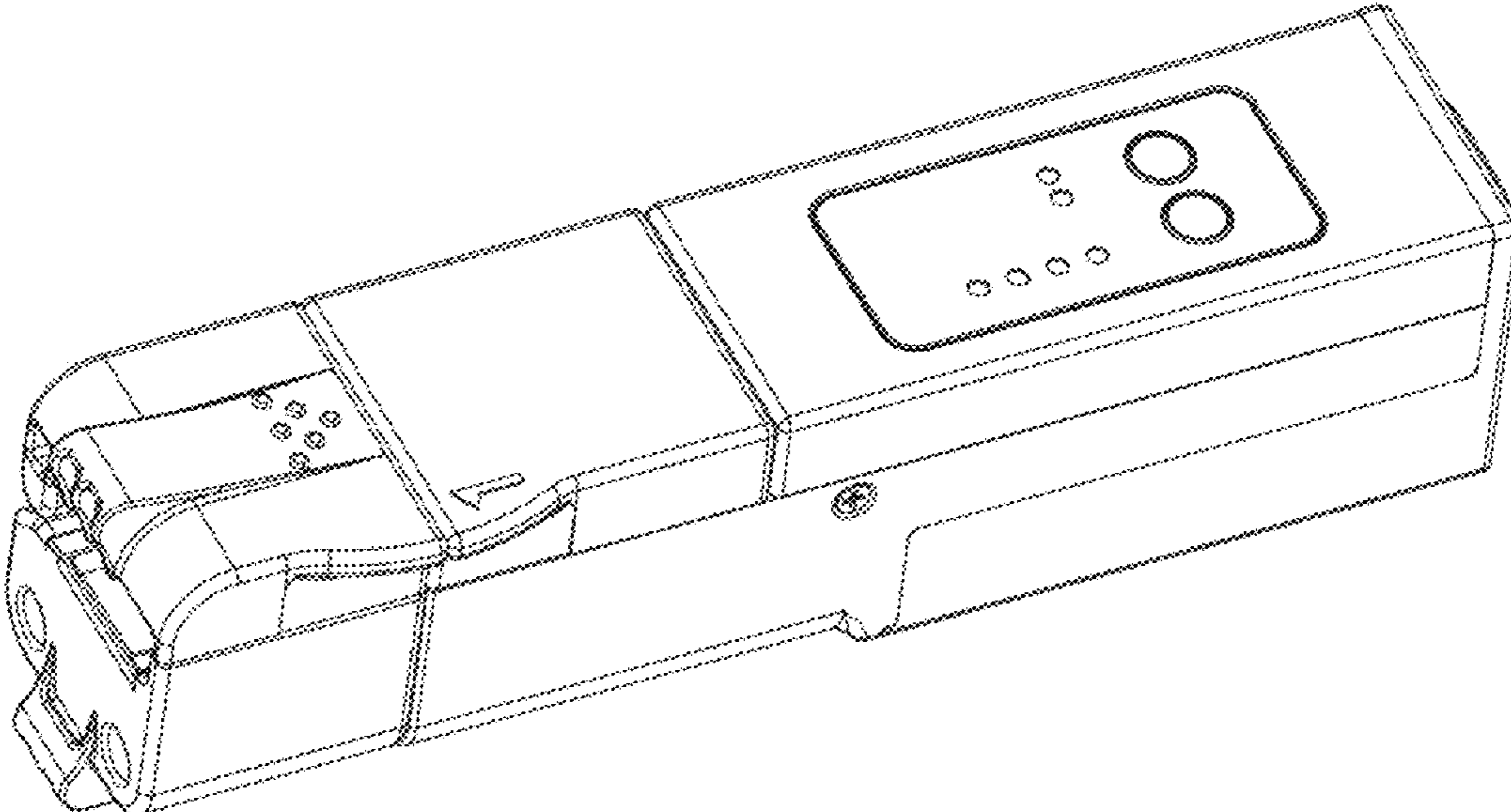


FIG. 2

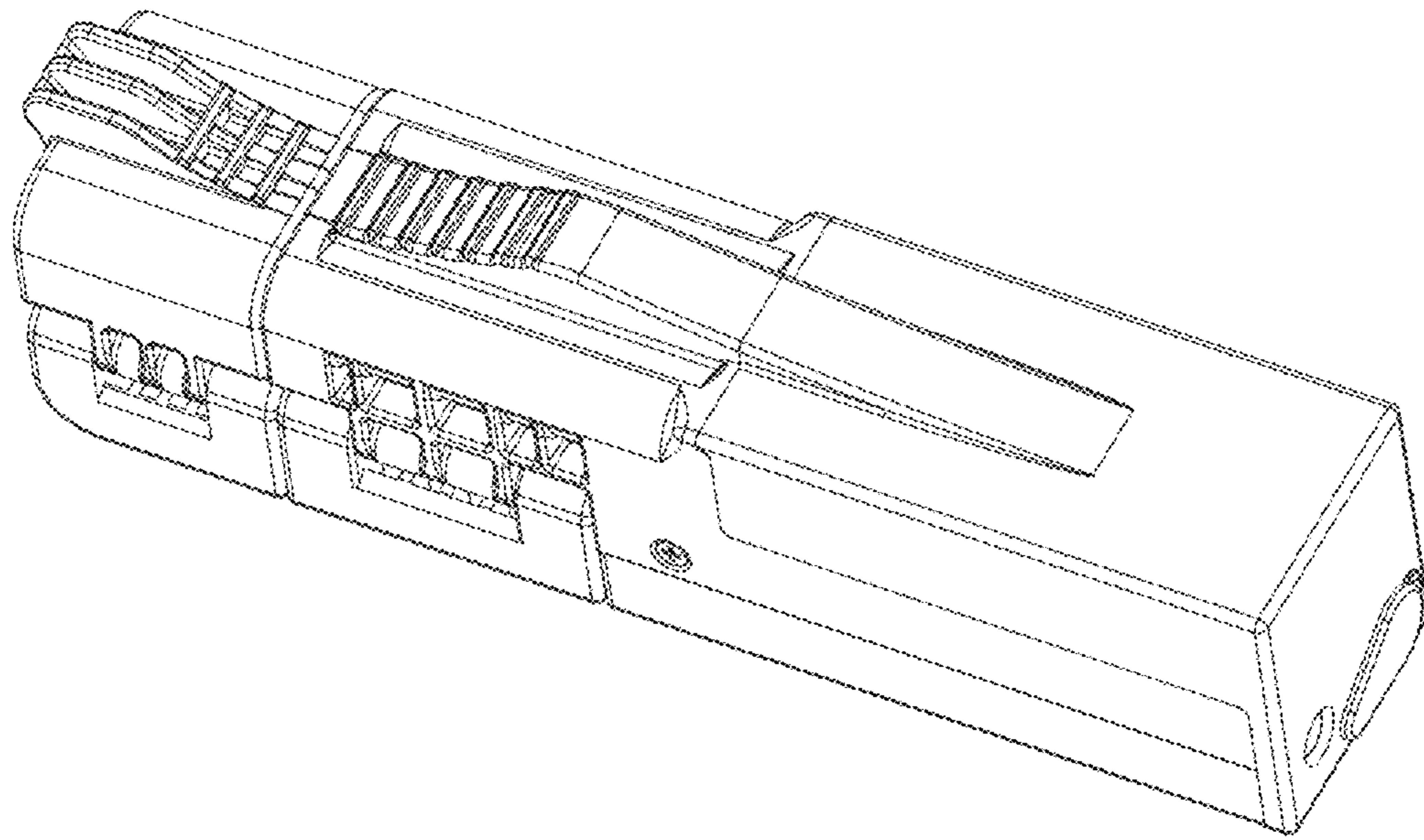


FIG. 3

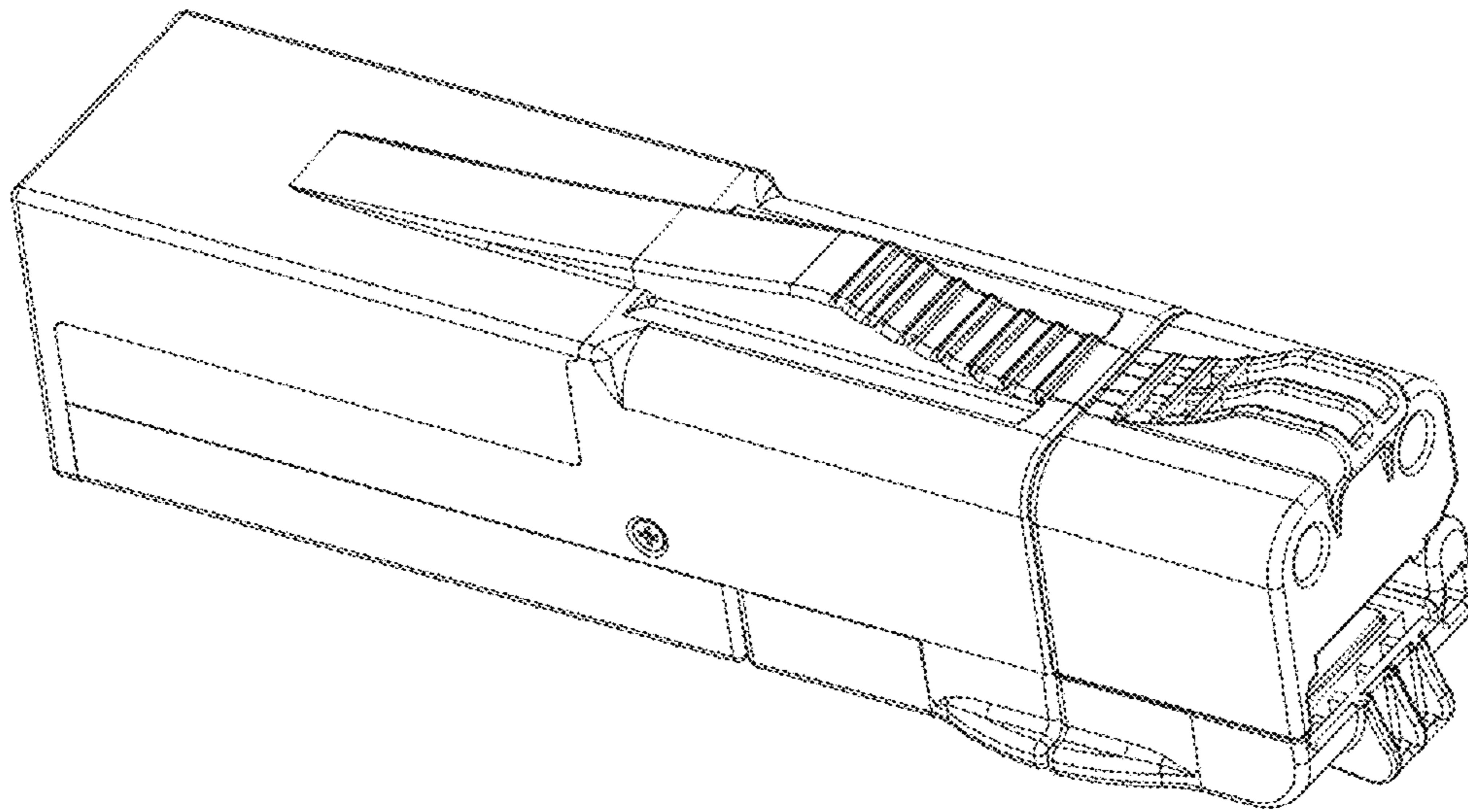


FIG. 4

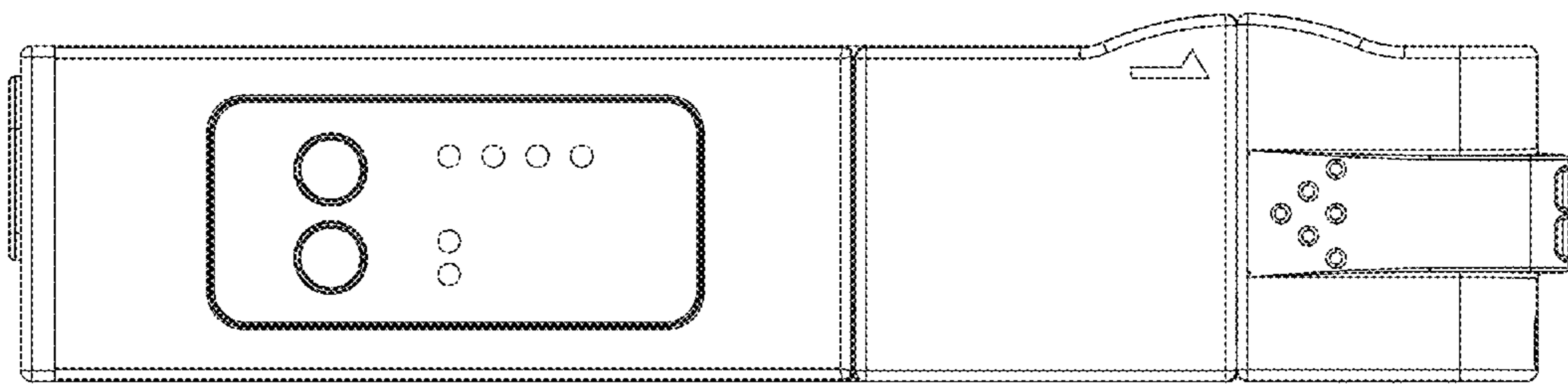


FIG. 5

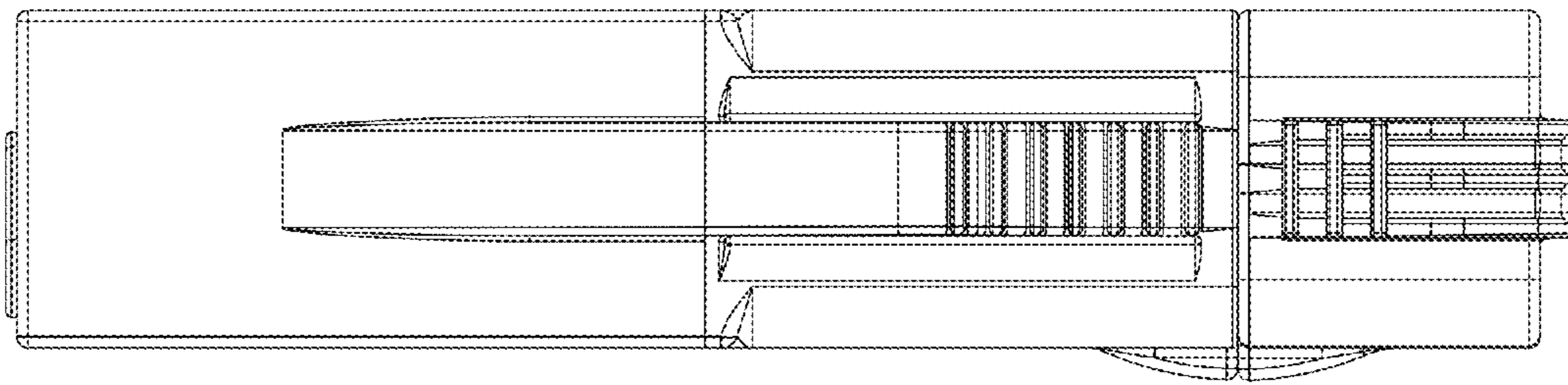


FIG. 6

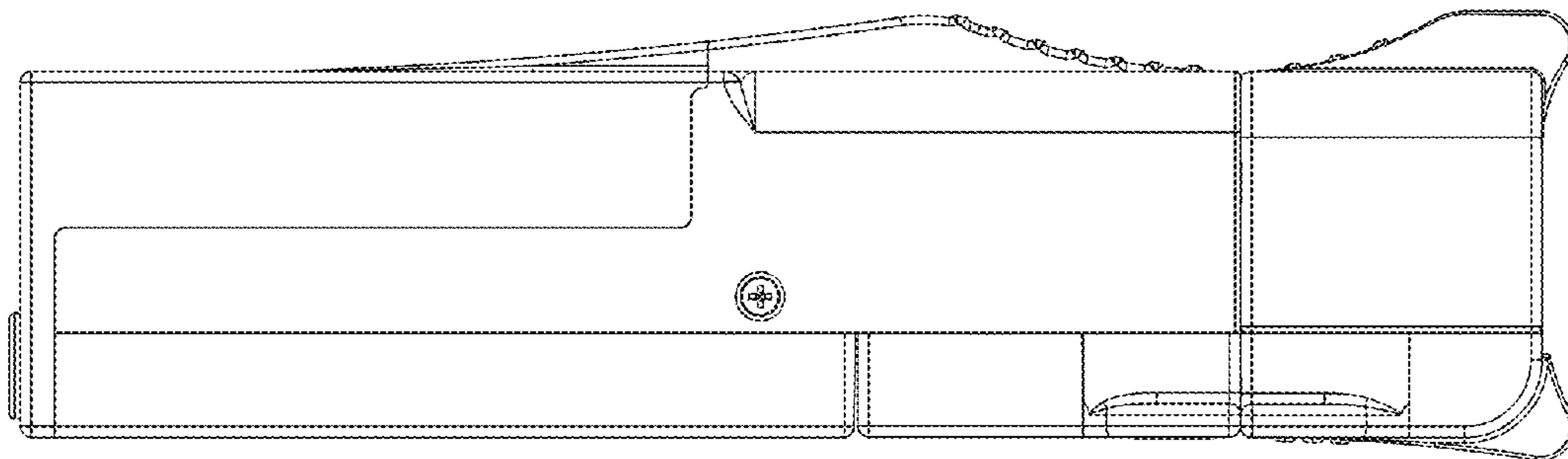


FIG. 7



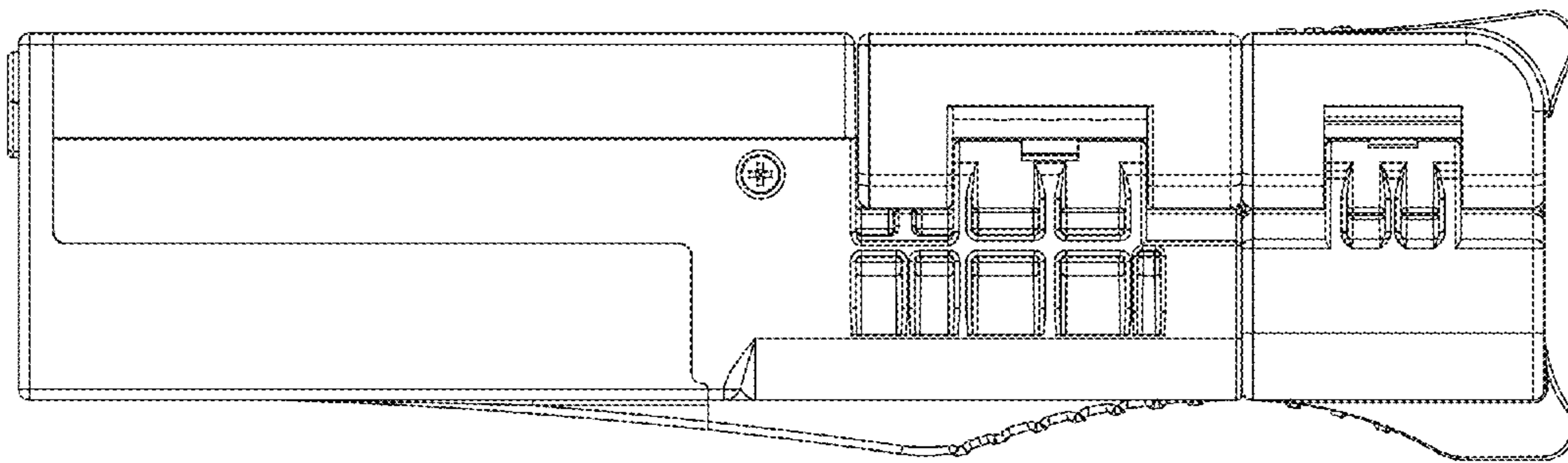


FIG. 8

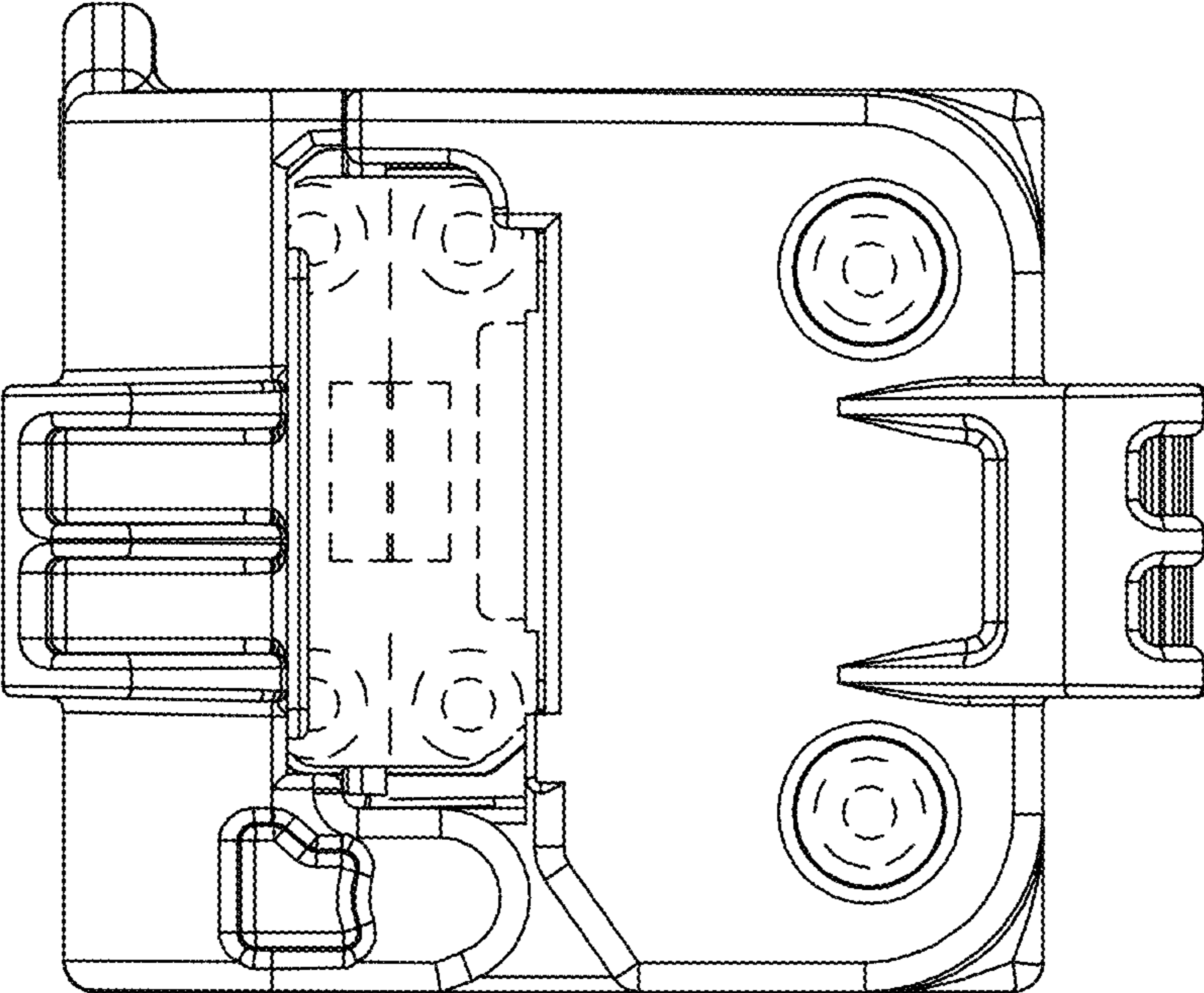


FIG. 9

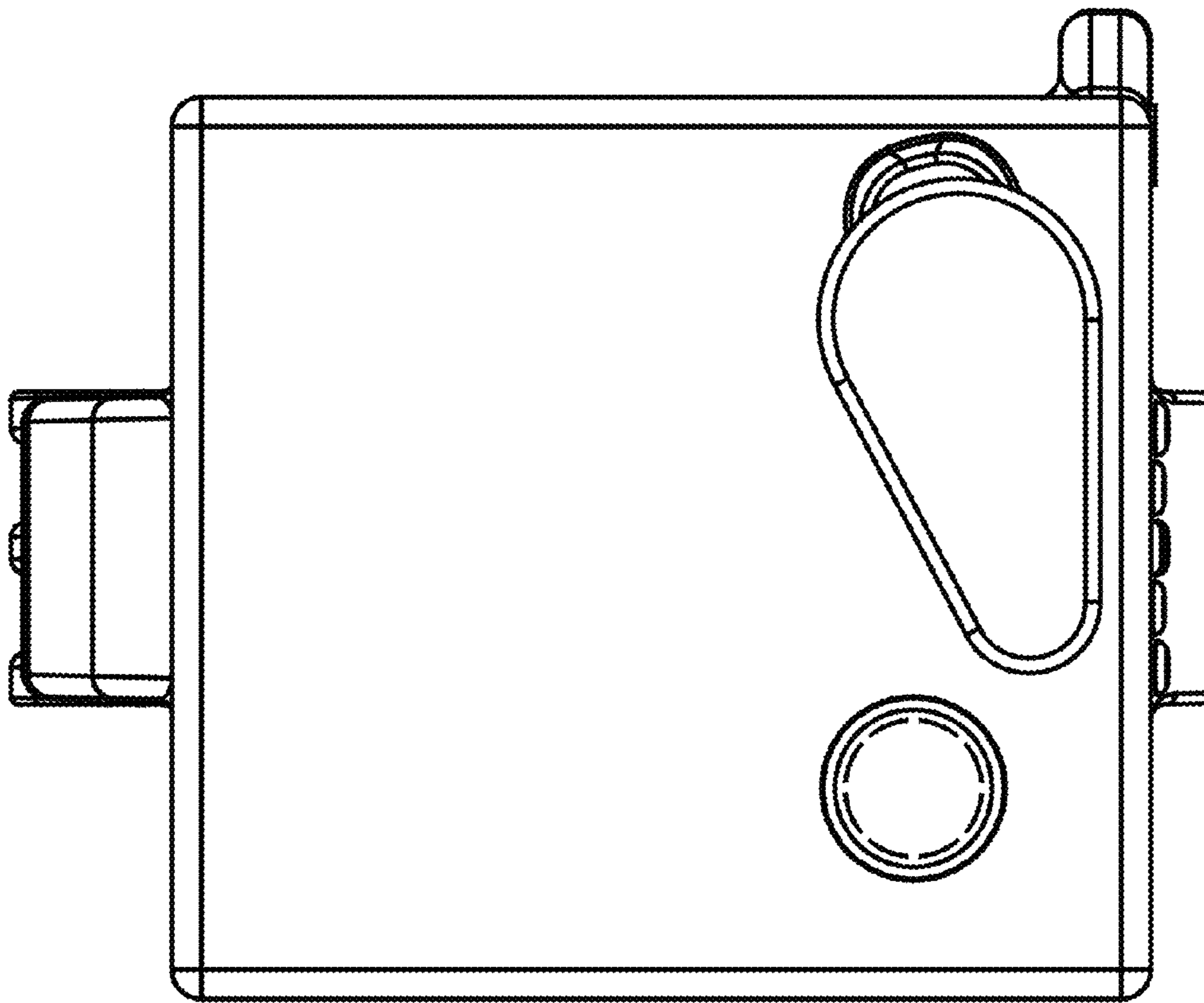


FIG. 10