



US00D745904S

(12) **United States Design Patent**  
**Geltinger et al.**

(10) **Patent No.:** **US D745,904 S**

(45) **Date of Patent:** **\*\* Dec. 22, 2015**

(54) **DOUBLE CAVITY FORM CARRIER**

(71) Applicant: **KRONES AG**, Neutraubling (DE)

(72) Inventors: **Florian Geltinger**, Donaustauf (DE);  
**Heinrich Deyerl**, Teunz (DE); **Thomas Hoellriegl**, Teublitz (DE); **Thomas Philipp**, Sinzing-Eilsbrunn (DE);  
**Gerhard Schuster**, Pfakofen (DE); **Erik Blochmann**, Neutraubling (DE); **Maria Lindner**, Hausen (DE)

(73) Assignee: **Krones AG**, Neutraubling (DE)

(\*\*) Term: **14 Years**

(21) Appl. No.: **29/493,190**

(22) Filed: **Jun. 6, 2014**

(51) **LOC (10) Cl.** ..... **15-09**

(52) **U.S. Cl.**  
USPC ..... **D15/138**

(58) **Field of Classification Search**  
USPC ..... D15/135, 136, 138  
See application file for complete search history.

(56) **References Cited**

**U.S. PATENT DOCUMENTS**

1,335,466	A *	3/1920	Stevenson	.....	425/377
1,637,207	A *	7/1927	Whitehouse	.....	425/133.1
1,944,982	A *	1/1934	Hoy	.....	72/263
D137,460	S *	3/1944	Engel	.....	D15/136
3,843,088	A *	10/1974	McLoughlin et al.	.....	249/144
4,125,246	A *	11/1978	Von Holdt	.....	249/58
4,165,999	A *	8/1979	Egner	.....	156/245
D266,327	S *	9/1982	Haight et al.	.....	D15/135
D331,248	S *	11/1992	Yeh	.....	D15/135
D336,479	S *	6/1993	Shuji Shinagawa et al.	.....	D15/135
5,517,056	A *	5/1996	Bigler et al.	.....	257/666

5,518,676	A *	5/1996	de Rocheprise	.....	264/127
5,522,579	A *	6/1996	Rock	.....	249/219.1
5,700,415	A *	12/1997	Hiroki et al.	.....	264/318
5,823,038	A *	10/1998	Jakoby	.....	72/270
6,099,785	A *	8/2000	Schweigert et al.	.....	264/328.1
6,439,984	B1 *	8/2002	Andres	.....	451/398
6,644,358	B2 *	11/2003	Demarest et al.	.....	138/177
D550,258	S *	9/2007	Schad et al.	.....	D15/135
8,002,538	B2 *	8/2011	Zydron	.....	425/417
D699,769	S *	2/2014	Witz et al.	.....	D15/136
8,801,416	B2 *	8/2014	Uneme	.....	425/78
D714,368	S *	9/2014	Kmoch et al.	.....	D15/136
9,067,348	B2 *	6/2015	Albrecht	.....	

\* cited by examiner

*Primary Examiner* — Patricia Palasik

(74) *Attorney, Agent, or Firm* — Greer, Burns & Crain, Ltd.

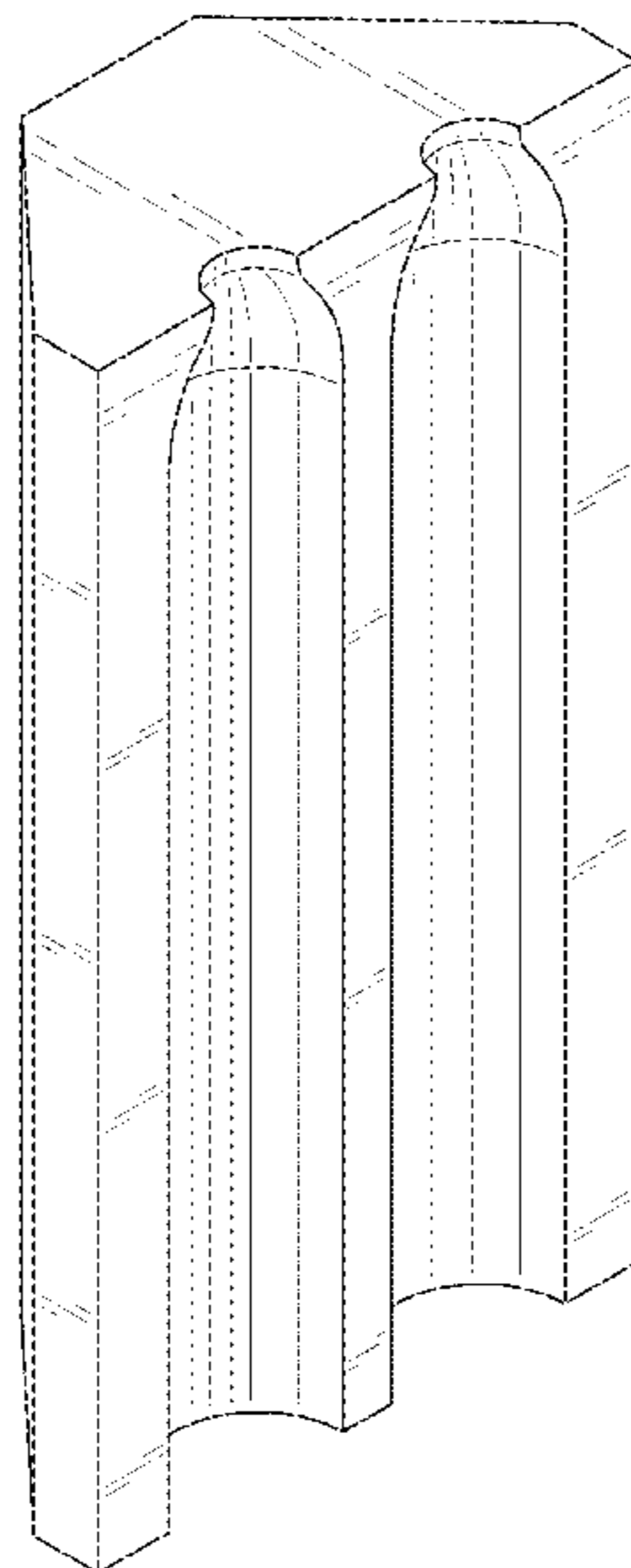
(57) **CLAIM**

The ornamental design for a double cavity form carrier, as shown and described.

**DESCRIPTION**

FIG. 1 is a top perspective view of the present double cavity form carrier;  
 FIG. 2 is a front view of same;  
 FIG. 3 is a rear view of same;  
 FIG. 4 is a right side view of the form carrier of FIG. 1;  
 FIG. 5 is a left side view of same;  
 FIG. 6 is a top view of same;  
 FIG. 7 is a bottom view of the present form carrier;  
 FIG. 8 is a top view showing the present form carrier in assembled state; and,  
 FIG. 9 is a top perspective view of the present form carrier in its environment.  
 The structure shown in broken lines is for environment purposes only and does not form part of the claimed invention.

**1 Claim, 7 Drawing Sheets**



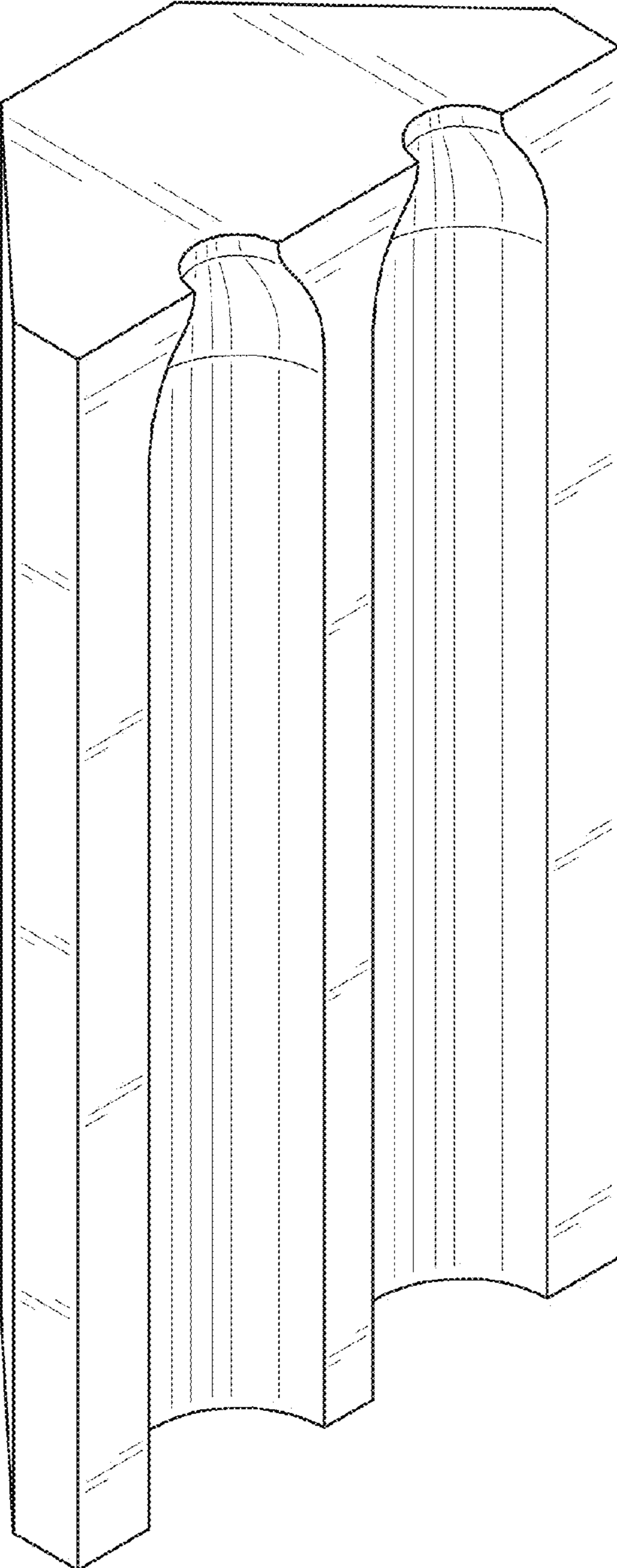


FIG. 1

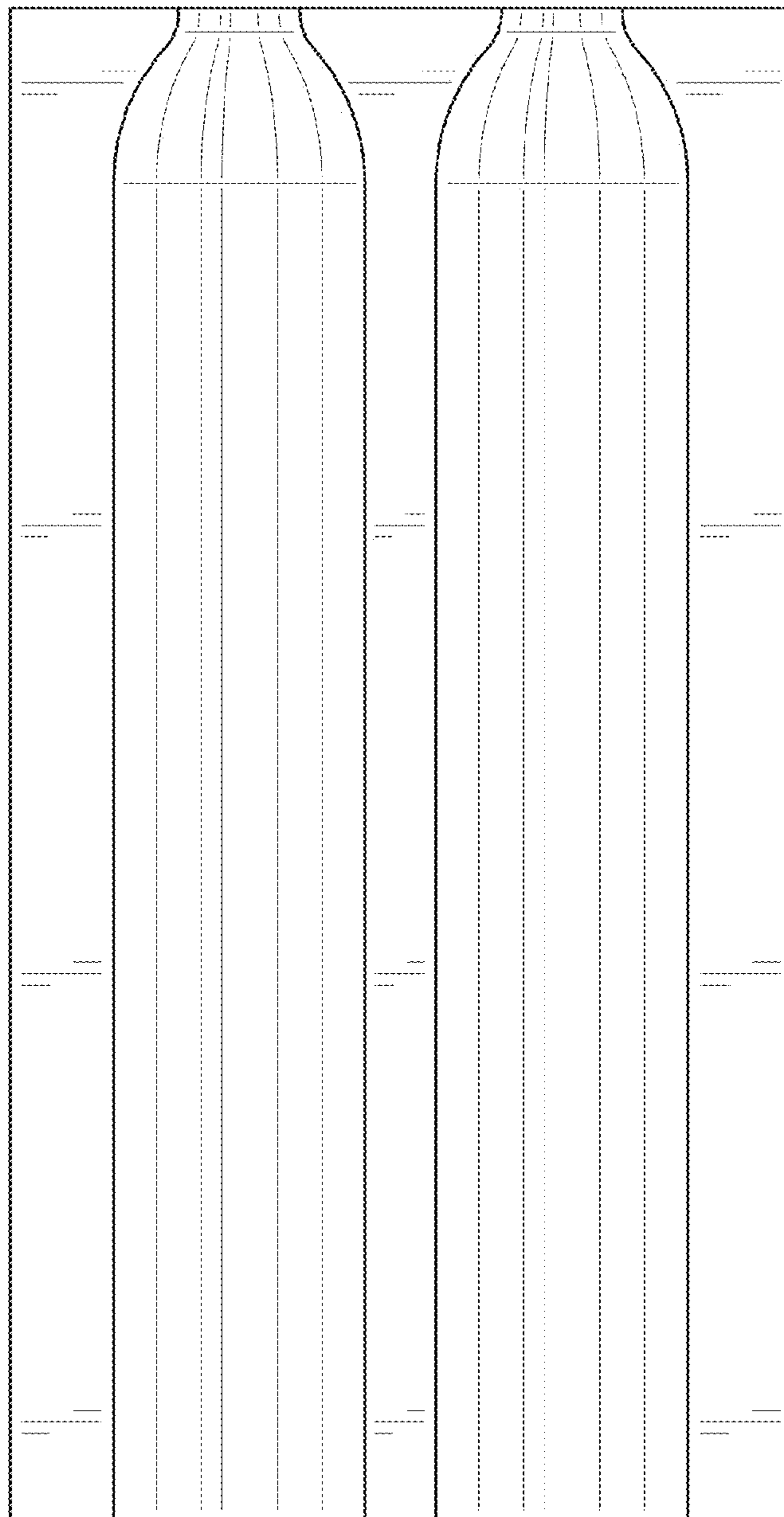


FIG. 2

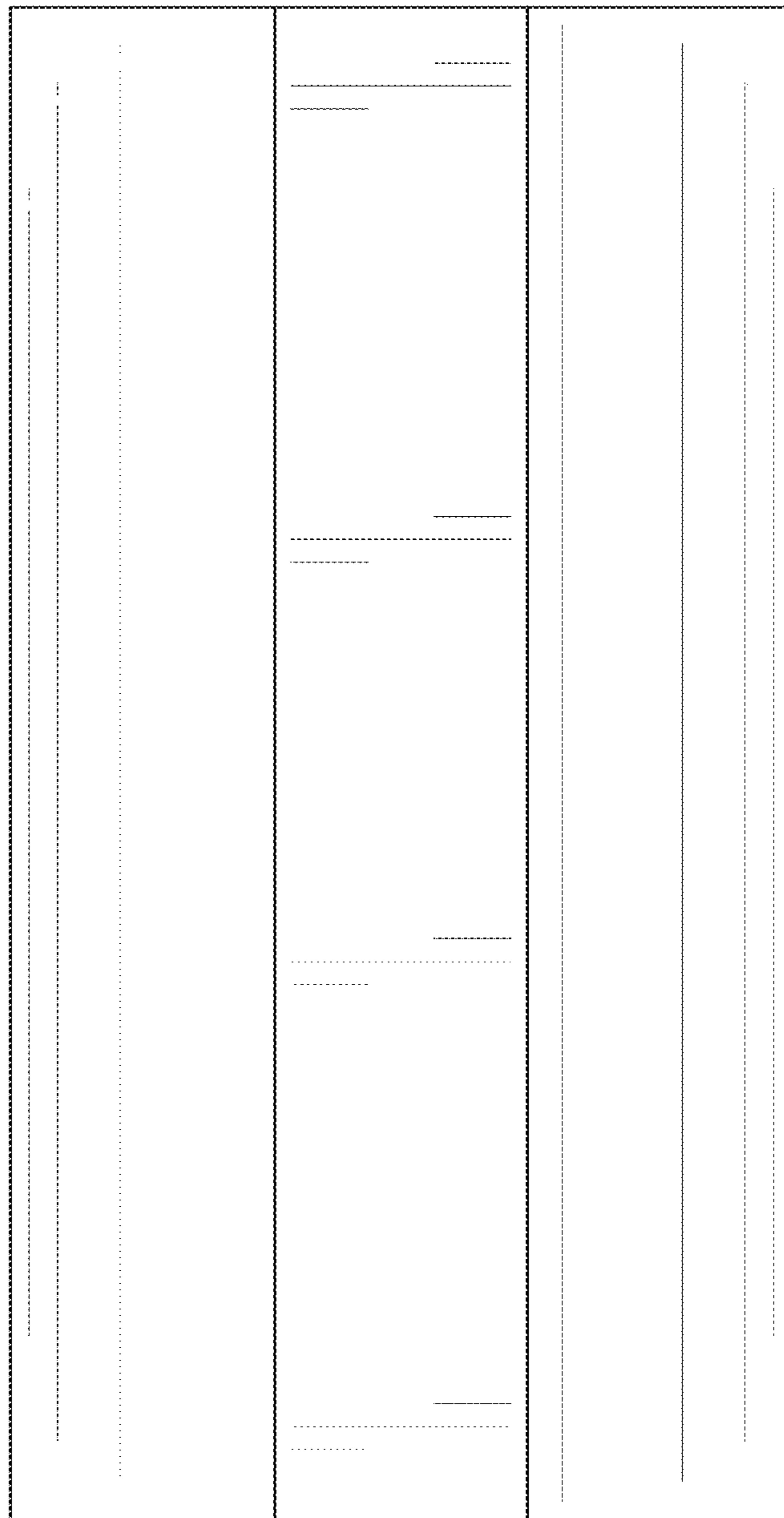


FIG. 3

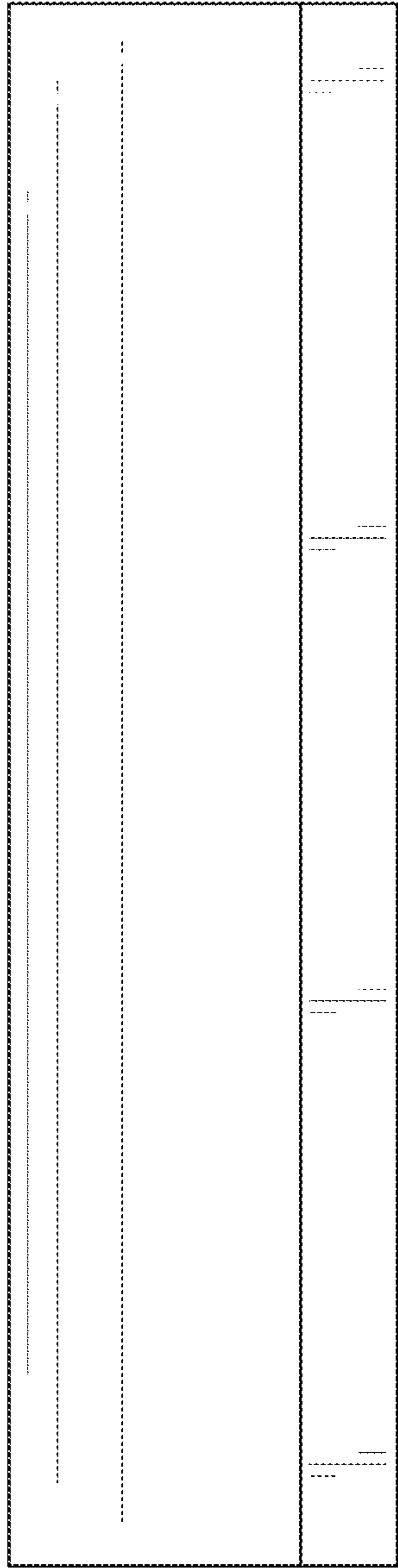


FIG. 4

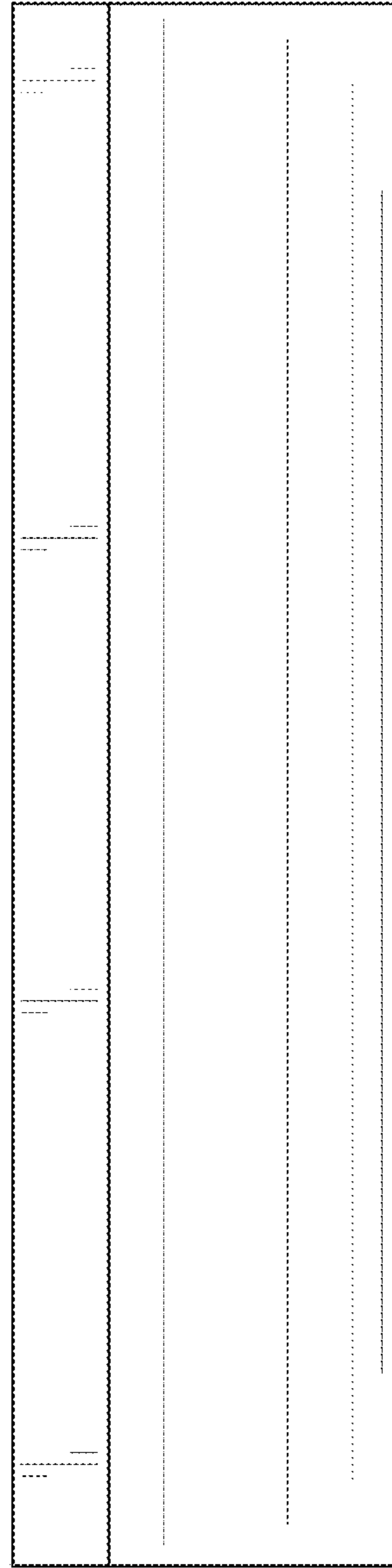


FIG. 5

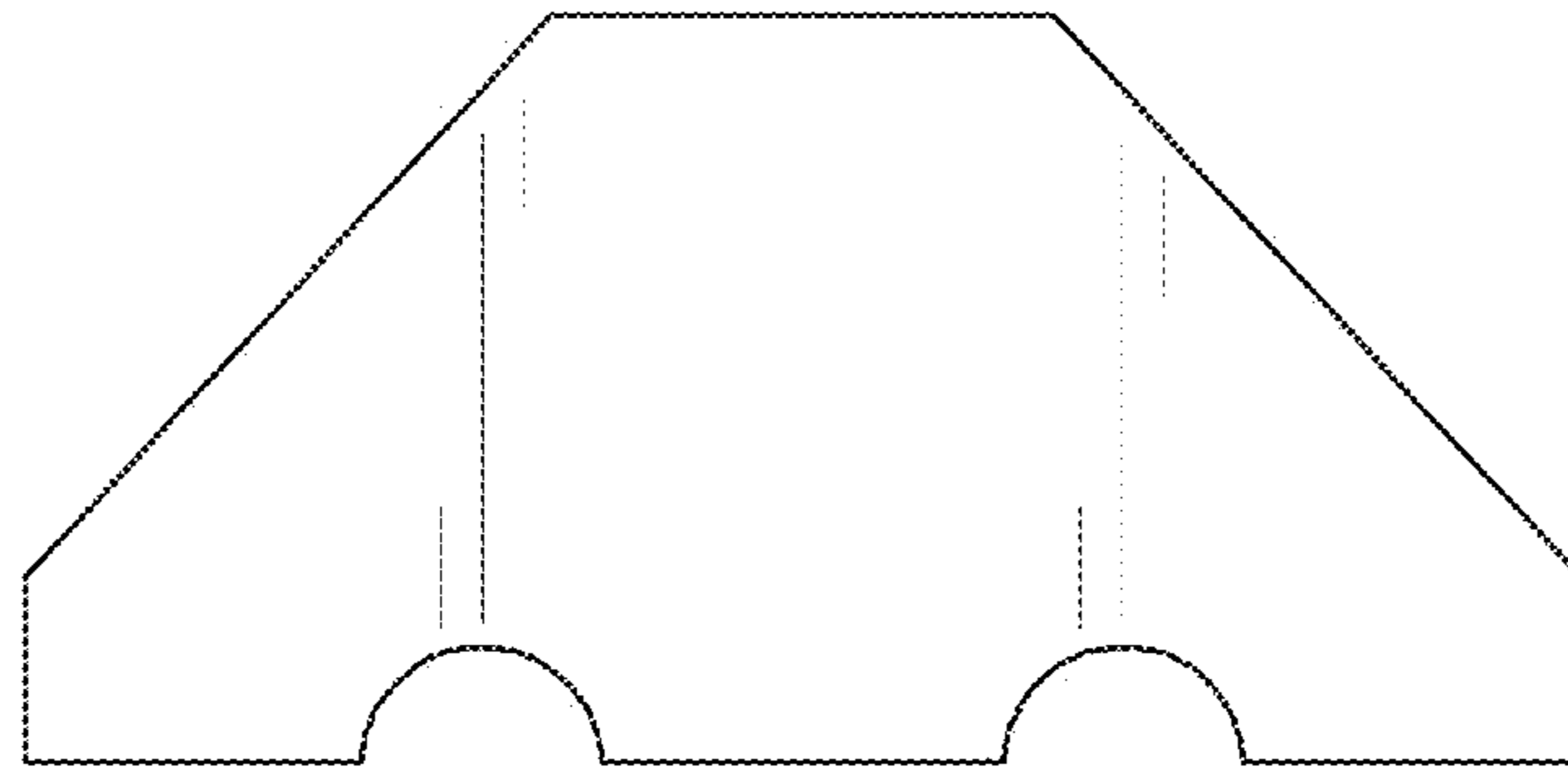


FIG. 6

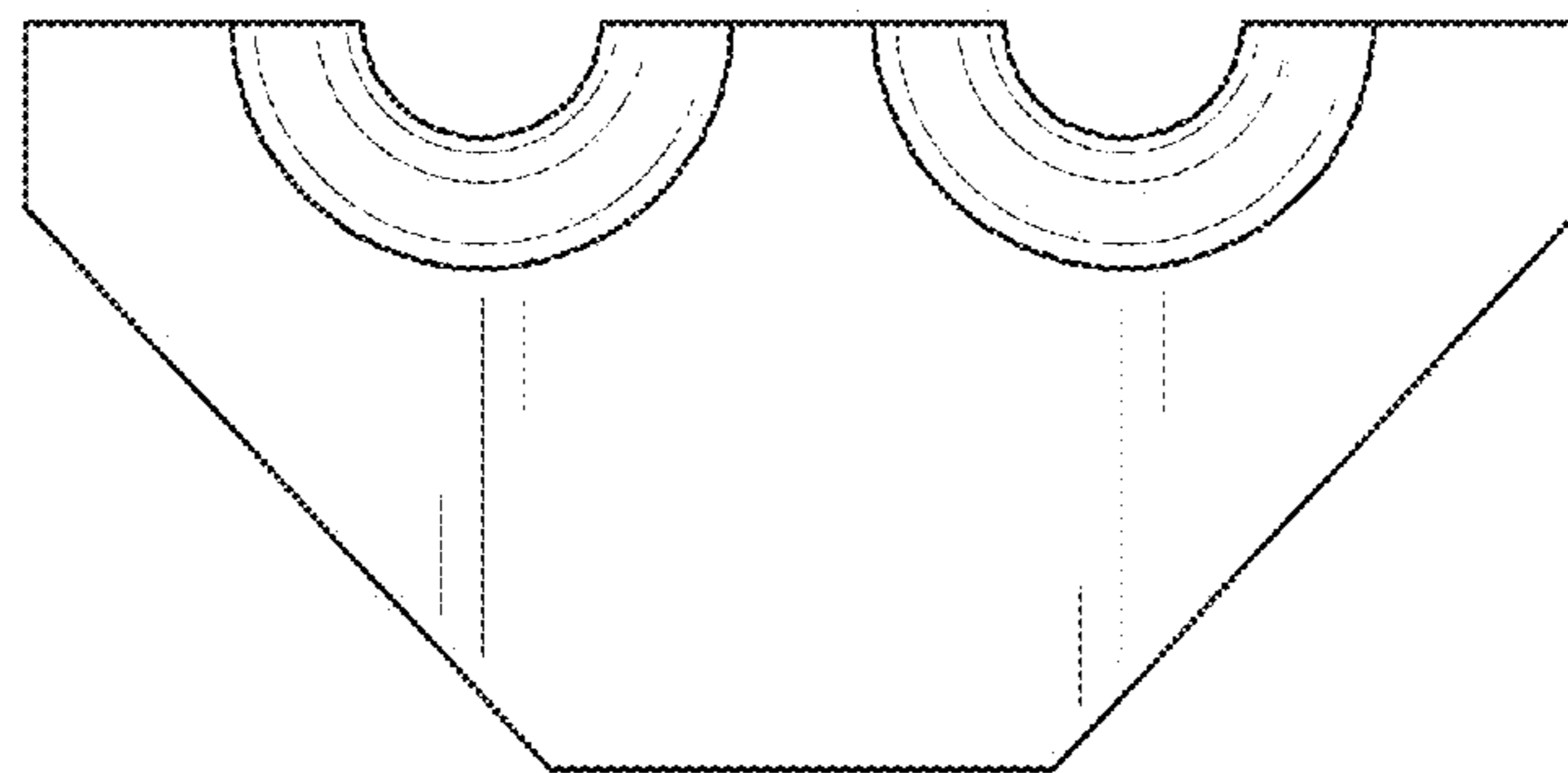


FIG. 7

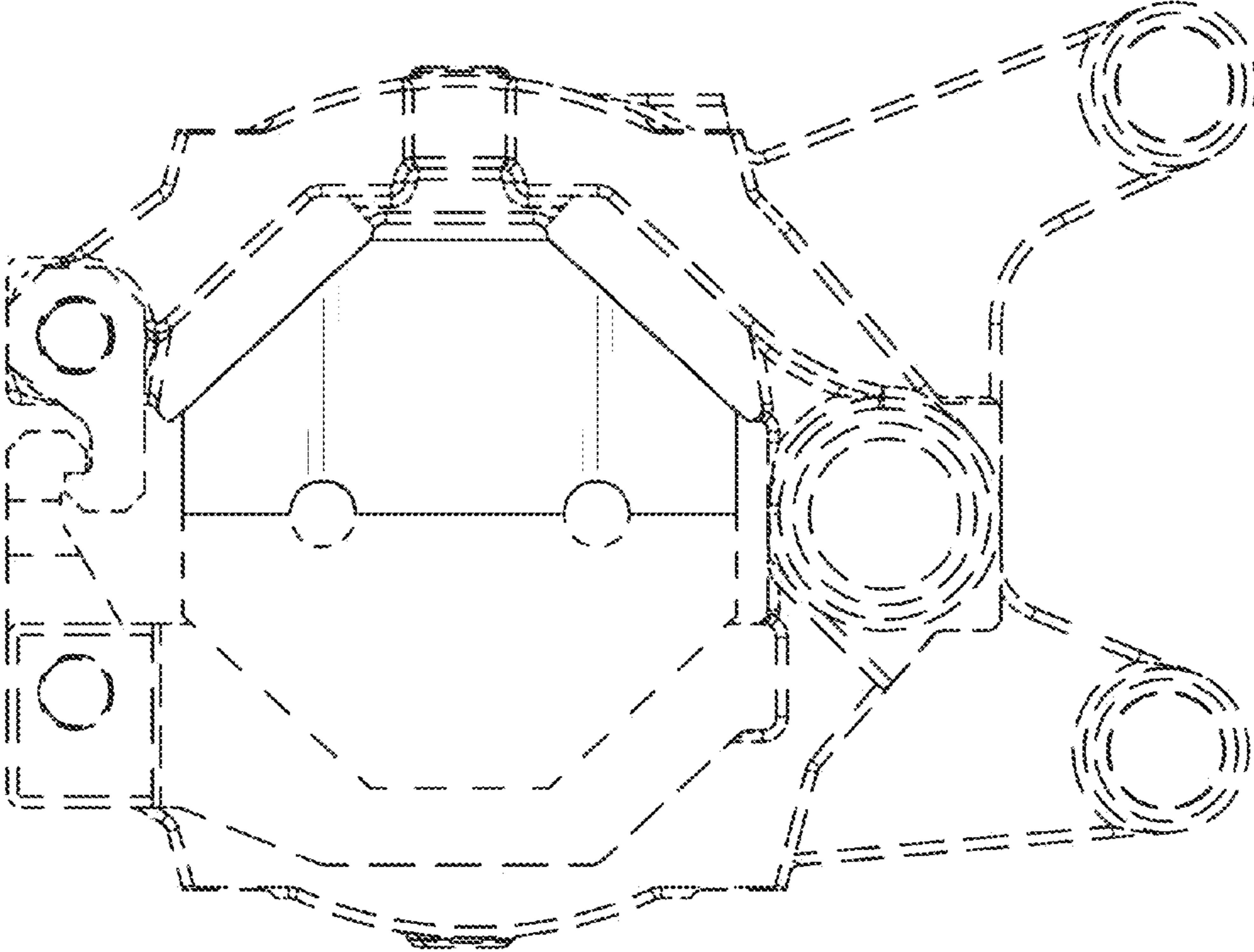


FIG. 8

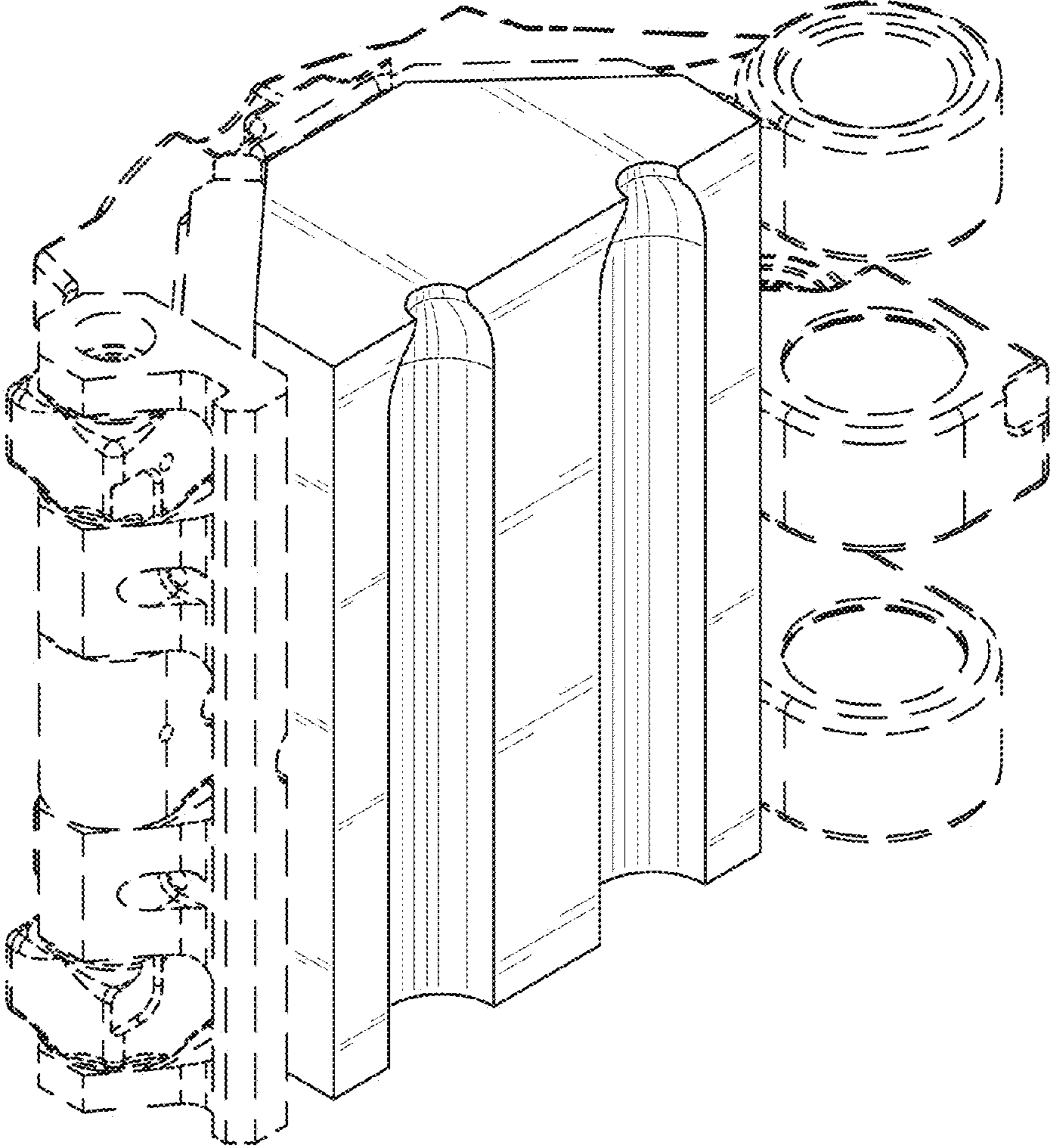


FIG. 9