



US00D745902S

(12) **United States Design Patent**
Choi et al.

(10) **Patent No.:** **US D745,902 S**

(45) **Date of Patent:** **** Dec. 22, 2015**

(54) **SHELF SUPPORTER FOR REFRIGERATOR**

(56) **References Cited**

(71) Applicant: **Samsung Electronics Co., Ltd.**,
Suwon-si (KR)

U.S. PATENT DOCUMENTS

(72) Inventors: **Min-Kyung Choi**, Seoul (KR);
Ae-Ryun Kim, Ansan-si (KR); **Sun-Min Lee**, Seoul (KR); **Seon-Ju Lee**, Seoul (KR)

D428,898 S *	8/2000	Hixson	D15/90
D568,344 S *	5/2008	Baacke et al.	D15/89
D577,744 S *	9/2008	Baacke et al.	D15/89
D612,405 S *	3/2010	Eicher	D15/89
D716,848 S *	11/2014	Seo et al.	D15/89

* cited by examiner

(73) Assignee: **SAMSUNG ELECTRONICS CO., LTD.** (KR)

Primary Examiner — Daniel Bui

Assistant Examiner — Khawaja Anwar

(**) Term: **14 Years**

(74) *Attorney, Agent, or Firm* — Cantor Colburn LLP

(21) Appl. No.: **29/503,220**

(57) **CLAIM**

(22) Filed: **Sep. 24, 2014**

The ornamental design for a shelf supporter for refrigerator, as shown and described.

(30) **Foreign Application Priority Data**

DESCRIPTION

Mar. 24, 2014 (KR) 30-2014-0014515

(51) **LOC (10) Cl.** **15-07**

(52) **U.S. Cl.**
USPC **D15/89**

(58) **Field of Classification Search**
USPC D15/79-91; D6/702, 705
CPC F25D 23/028; F25D 23/02; F25D 25/025;
F25D 23/00; F25D 2323/021; F25D 11/00;
F25D 2323/024; F25D 23/04; F25D 29/00;
F25D 25/02; F25D 25/024; F25D 27/005;
F25D 23/12; F25D 29/005; F25D 17/042;
F25D 2325/021; F25D 2323/02

FIG. 1 is a perspective view of a shelf supporter for refrigerator, showing our new design;
FIG. 2 is a front view thereof;
FIG. 3 is a rear view thereof;
FIG. 4 is a side view thereof;
FIG. 5 is a another side view thereof;
FIG. 6 is a top view thereof;
FIG. 7 is a bottom view thereof; and,
FIG. 8 is another perspective view thereof, in use condition.
The broken lines are for environmental purpose only and form no part of the claimed design.

See application file for complete search history.

1 Claim, 6 Drawing Sheets

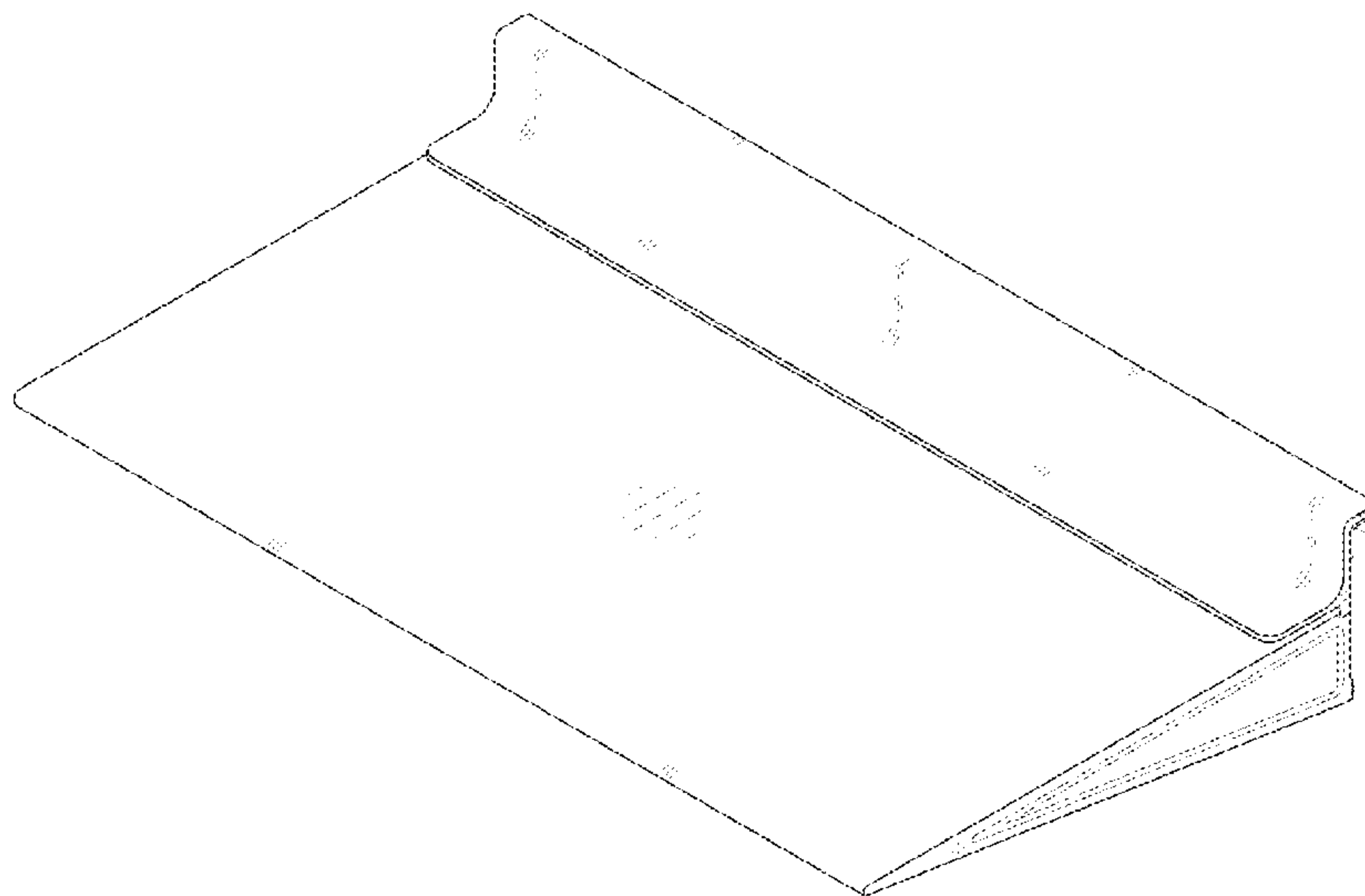


FIG. 1

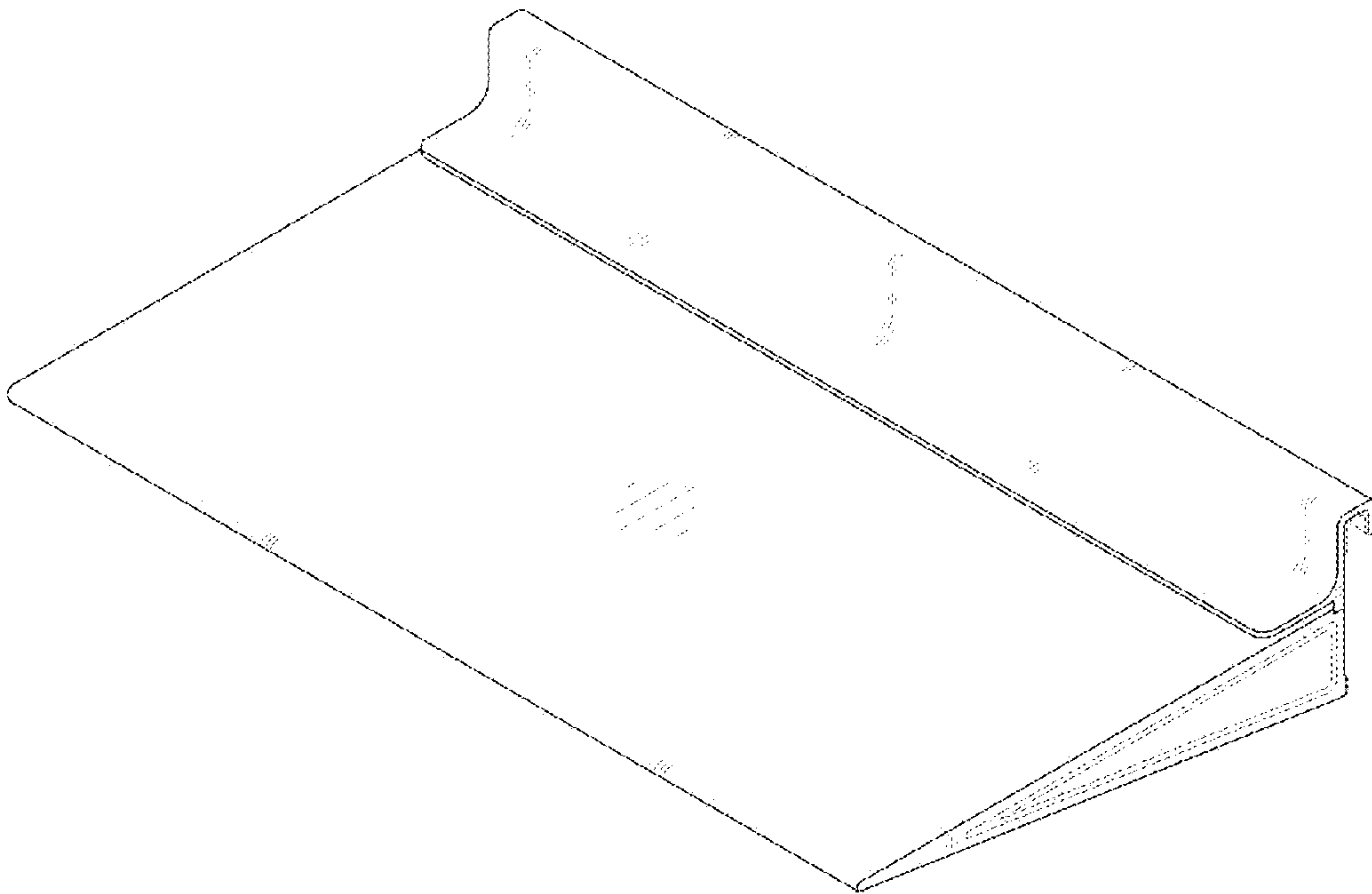


FIG. 2

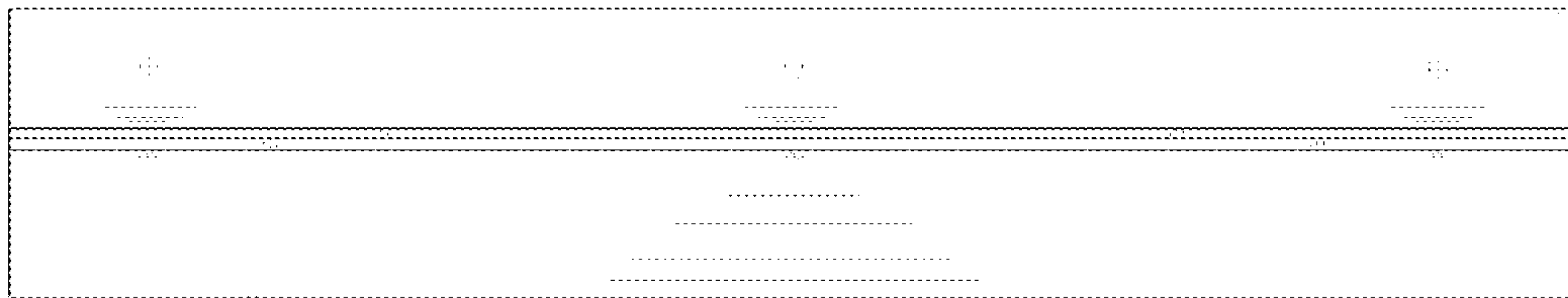


FIG. 3

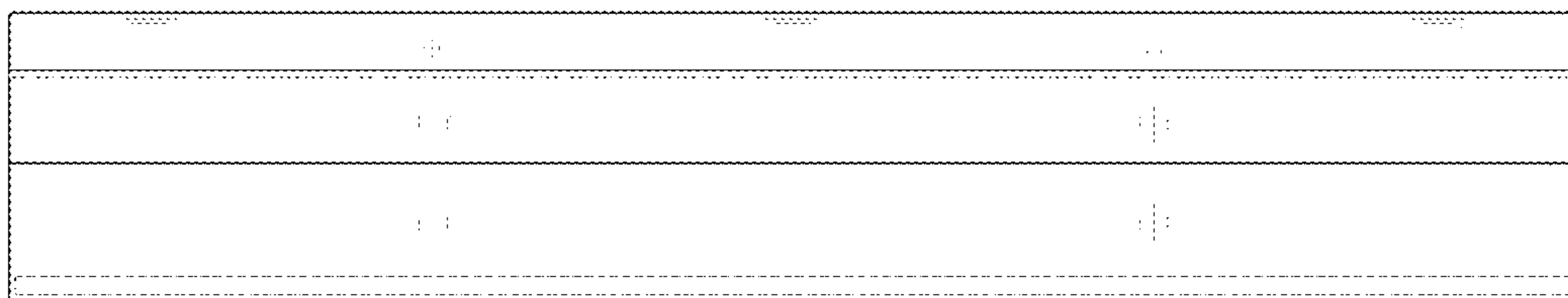


FIG. 4

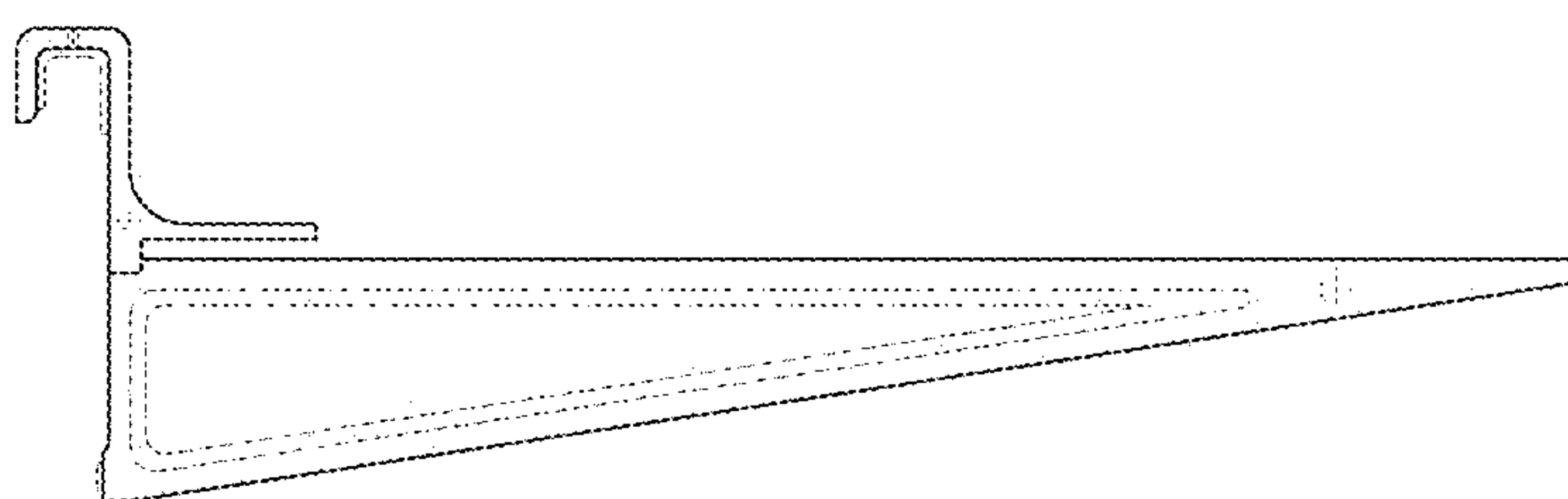


FIG. 5

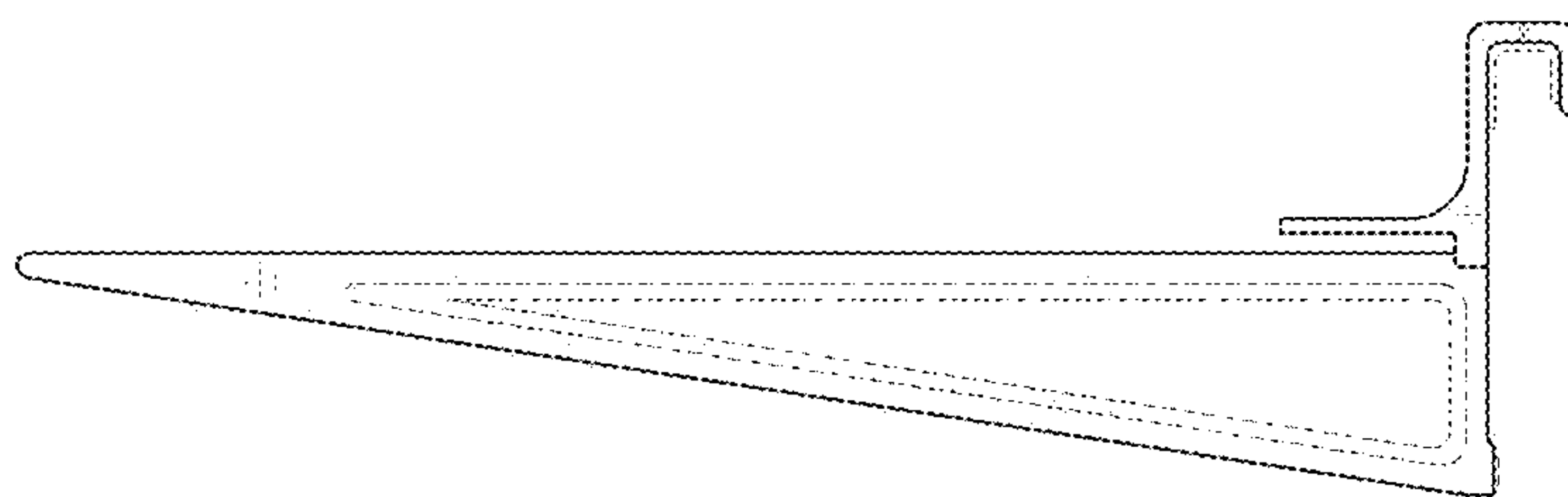


FIG. 6

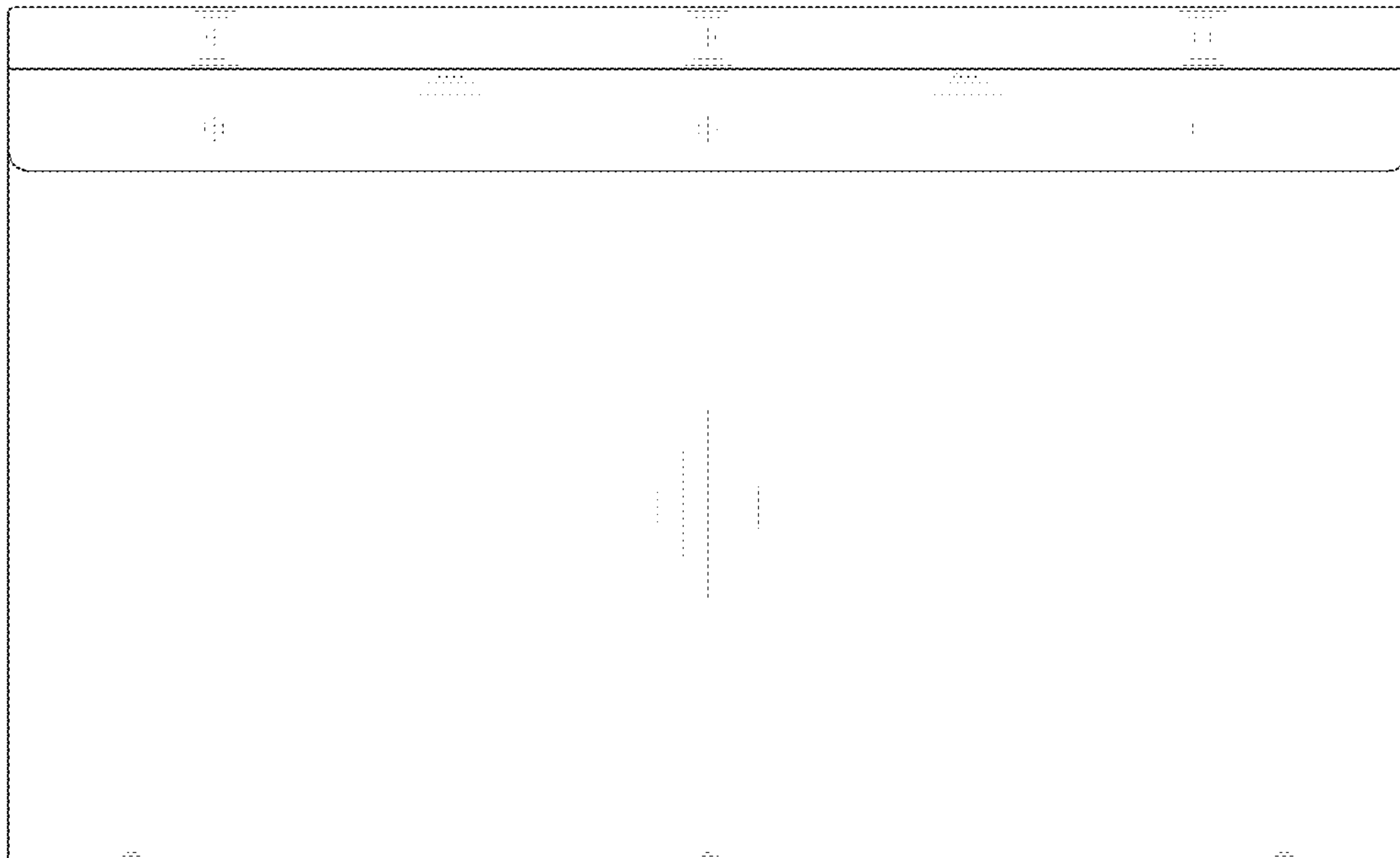


FIG. 7

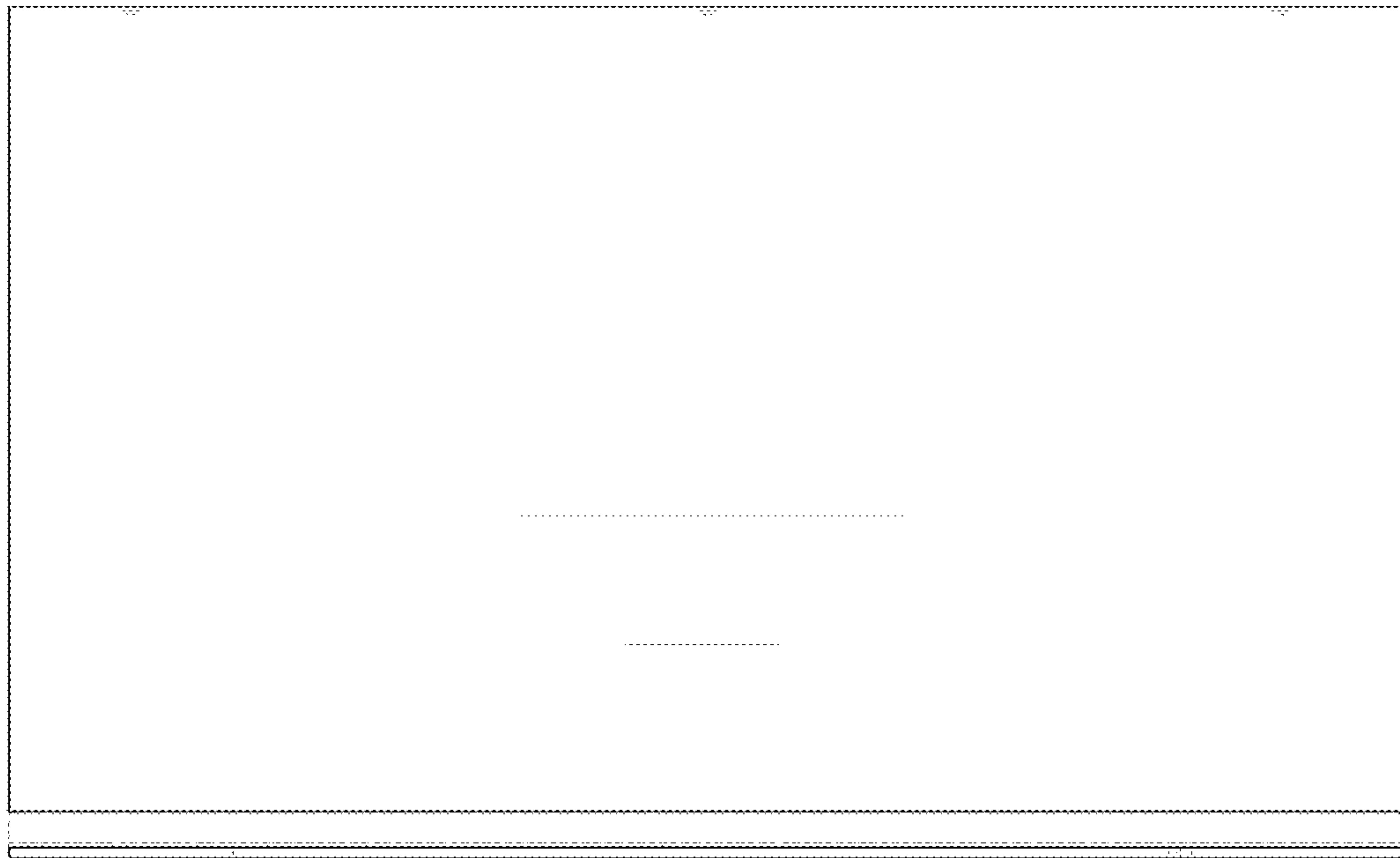


FIG. 8

