



US00D745900S

(12) **United States Design Patent**  
**Novak**

(10) **Patent No.:** **US D745,900 S**  
(45) **Date of Patent:** **\*\* Dec. 22, 2015**

- (54) **LOOM**
- (71) Applicant: **Authentic Knitting Board LLC**, Fork Union, VA (US)
- (72) Inventor: **Kim Novak**, Salem, MA (US)
- (73) Assignee: **AUTHENTIC KNITTING BOARD LLC**, Fork Union, VA (US)
- (\*\*) Term: **14 Years**
- (21) Appl. No.: **29/511,538**
- (22) Filed: **Dec. 11, 2014**
- (51) **LOC (10) Cl.** ..... **15-06**
- (52) **U.S. Cl.**  
USPC ..... **D15/66**
- (58) **Field of Classification Search**  
USPC ..... D15/66, 78  
CPC ..... D04B 5/00; D04B 39/00; D03D 29/00  
See application file for complete search history.

4,023,245	A *	5/1977	Zaltzman	.....	28/152
4,248,063	A *	2/1981	Wang	.....	66/4
D563,997	S *	3/2008	Gustin	.....	D15/78
D635,594	S *	4/2011	Novak	.....	D15/78
D711,931	S *	8/2014	Daftari	.....	D15/66
2008/0156043	A1 *	7/2008	Gustin	.....	66/4
2008/0223083	A1 *	9/2008	Gustin	.....	66/1 A
2009/0215013	A1 *	8/2009	Molin	.....	434/191
2011/0259465	A1 *	10/2011	Schaub	.....	139/29
2012/0047960	A1 *	3/2012	Sasur	.....	66/1 A

\* cited by examiner

*Primary Examiner* — Mitchell Siegel

(74) *Attorney, Agent, or Firm* — Nixon & Vanderhye P.C.

(57) **CLAIM**

The ornamental design is for a loom, as shown.

**DESCRIPTION**

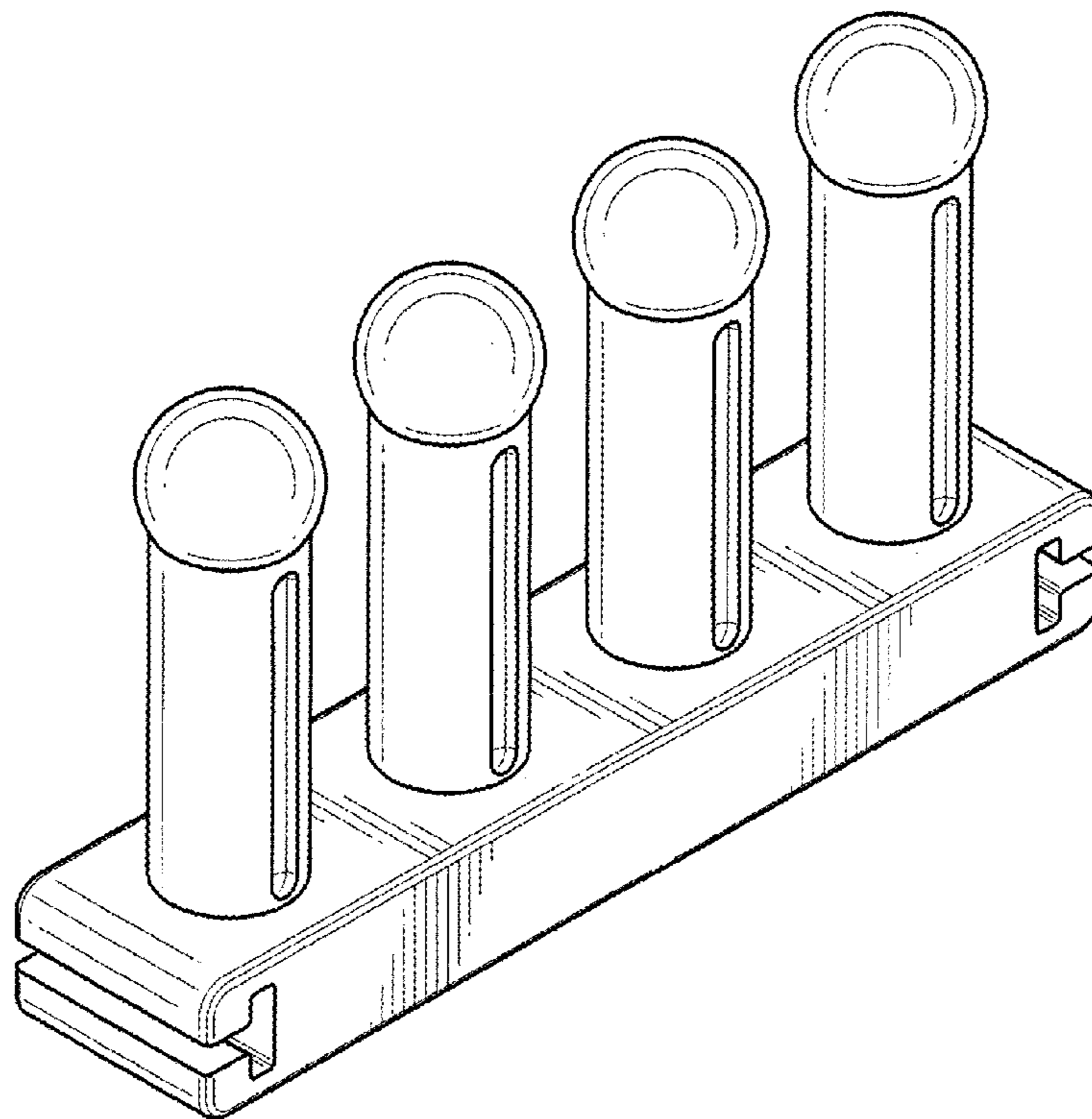
FIG. 1 is a front perspective view of a loom according to my new ornamental design;  
 FIG. 2 is a front elevation view thereof;  
 FIG. 3 is a rear elevation view thereof;  
 FIG. 4 is a top plan view thereof;  
 FIG. 5 is a bottom plan view thereof;  
 FIG. 6 is a left side elevation view thereof;  
 FIG. 7 is a right side elevation view thereof; and,  
 FIG. 8 is a rear perspective view thereof.

**1 Claim, 4 Drawing Sheets**

(56) **References Cited**

**U.S. PATENT DOCUMENTS**

3,672,679	A *	6/1972	Burns	.....	273/260
3,678,709	A *	7/1972	Nowicki et al.	.....	66/4



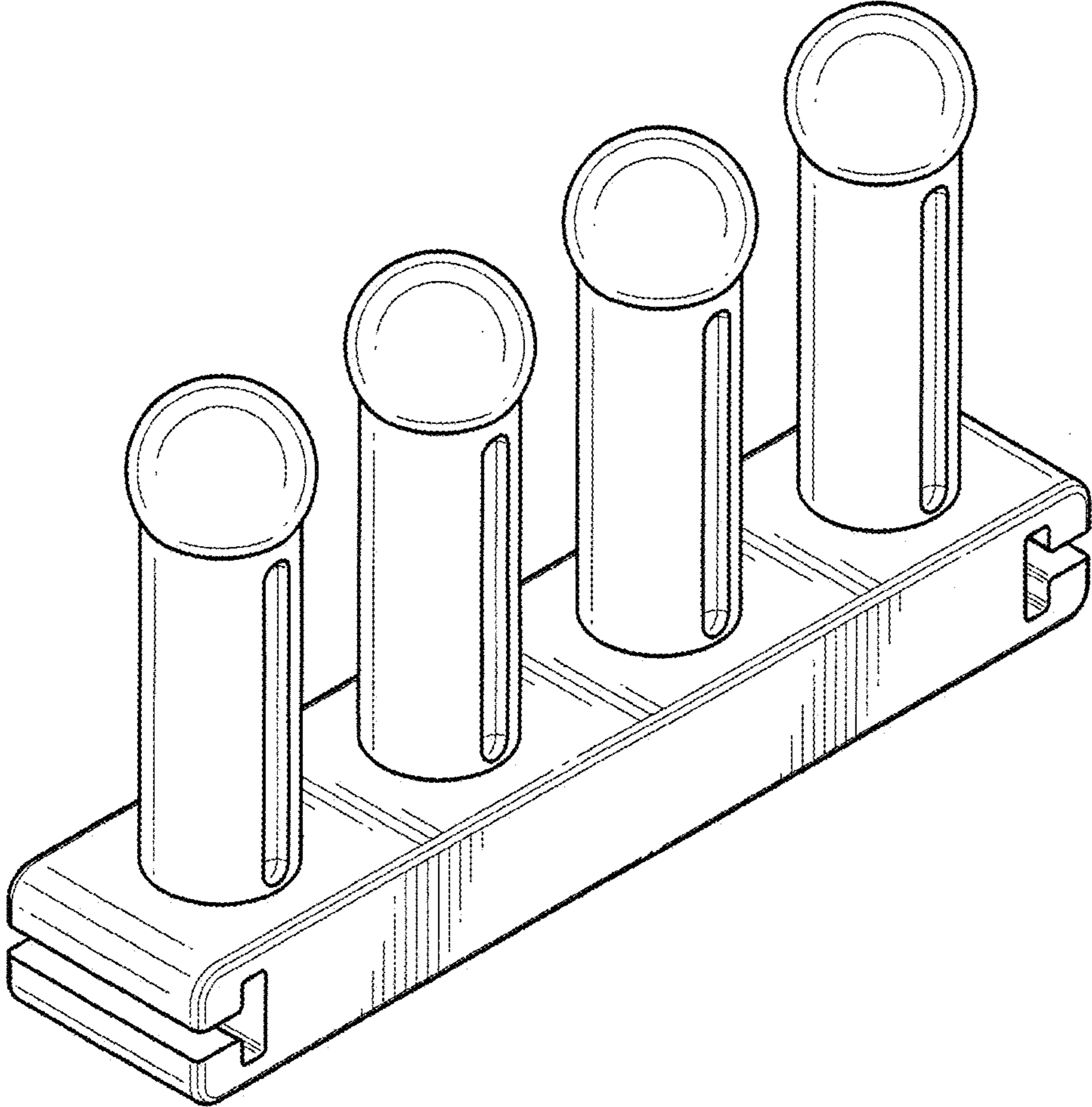


FIG. 1

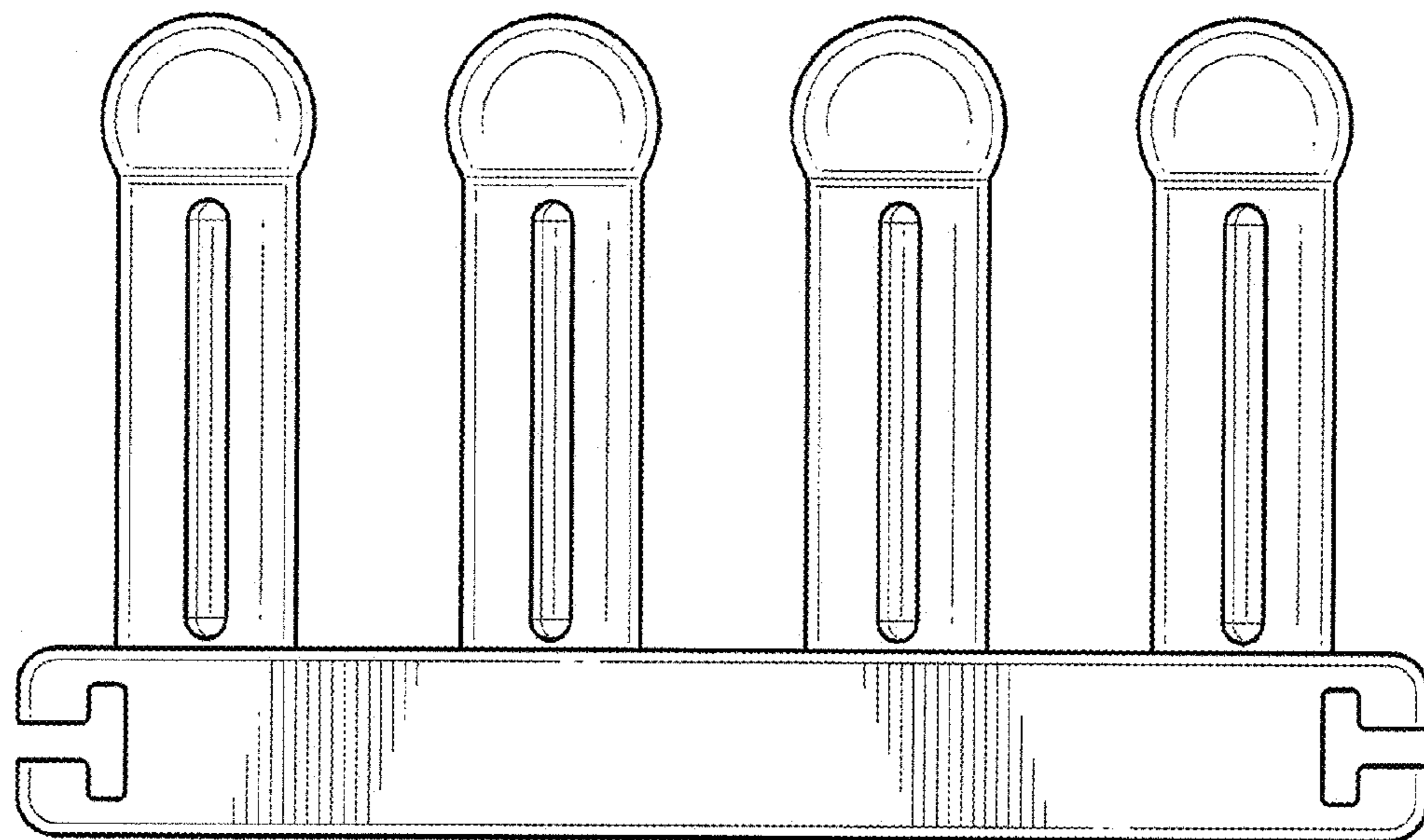


FIG. 2

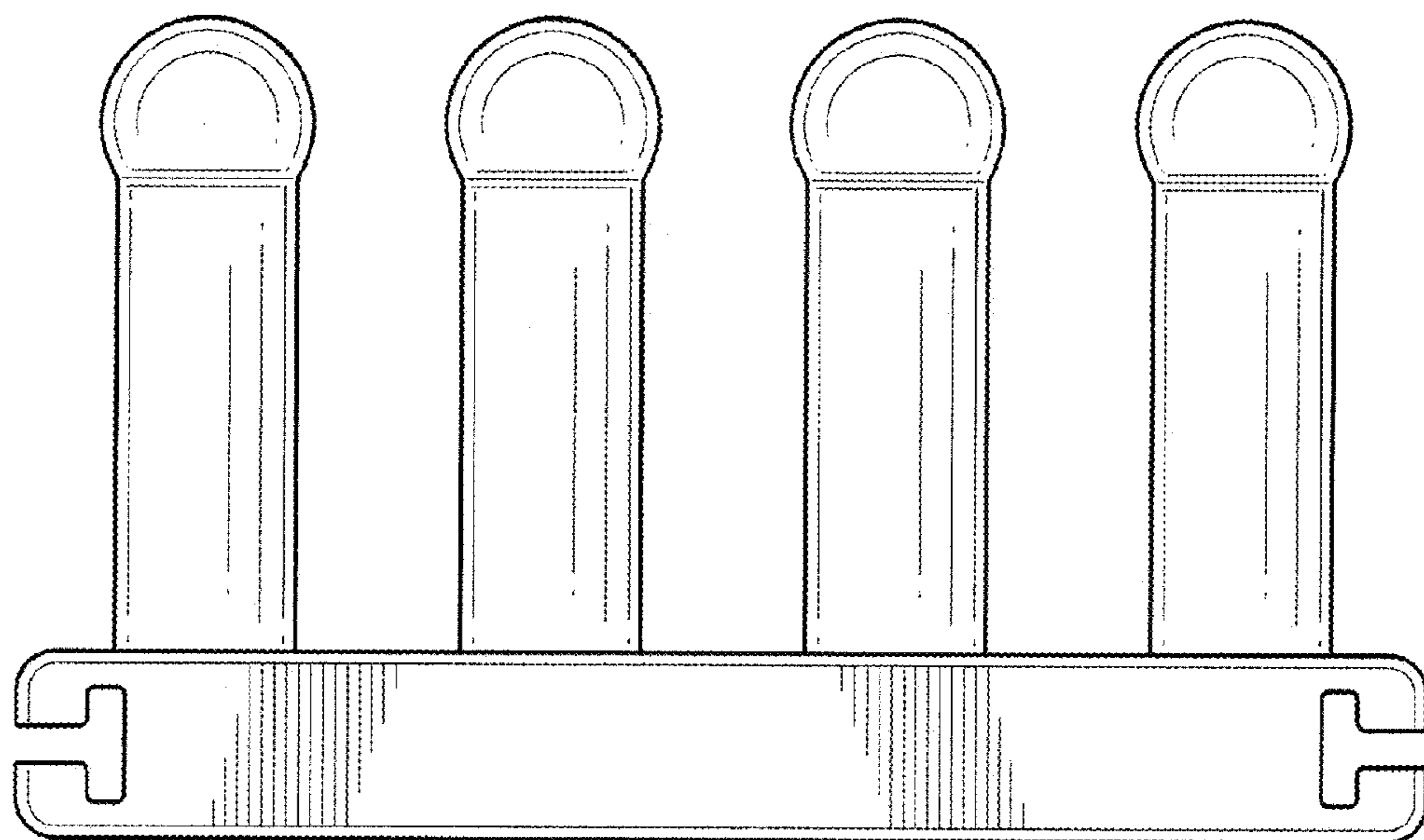


FIG. 3

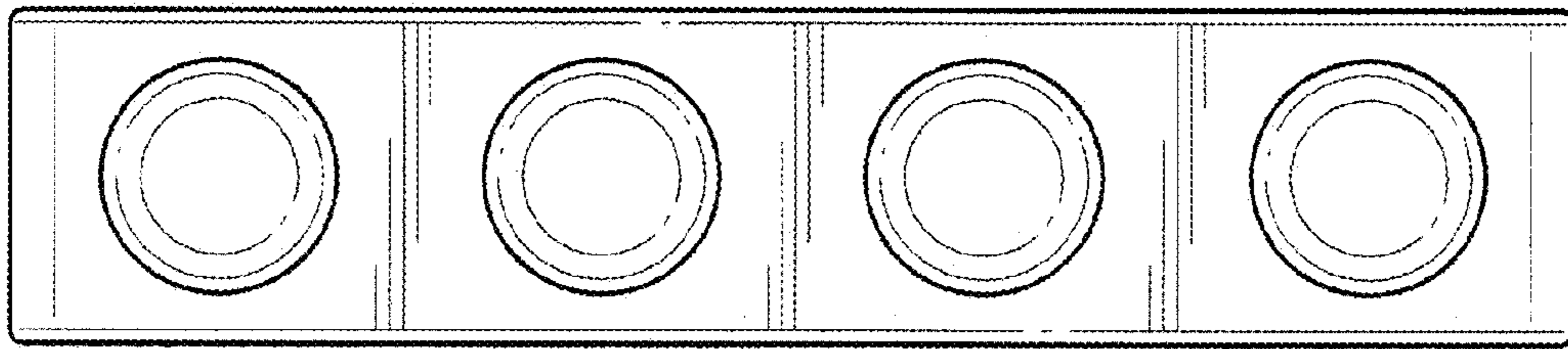


FIG. 4

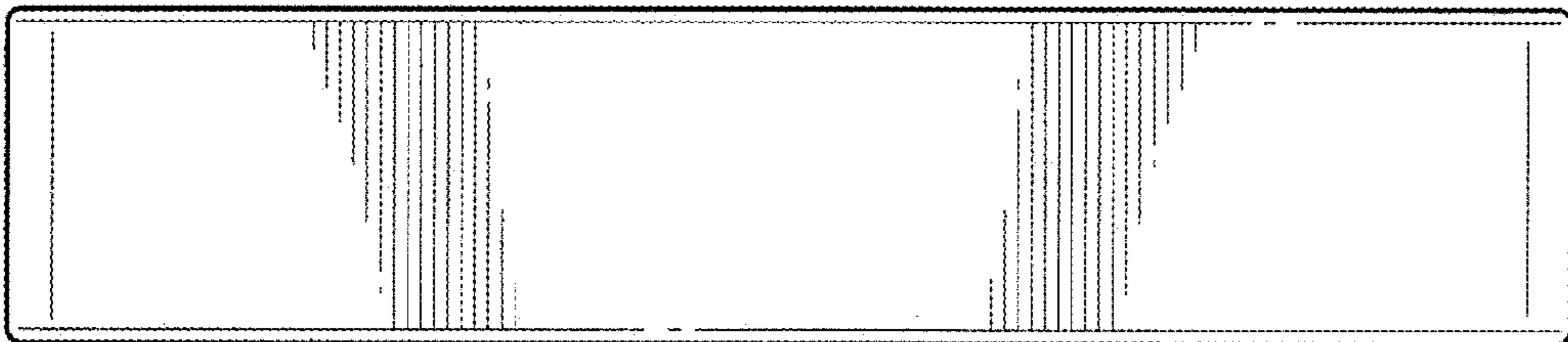


FIG. 5

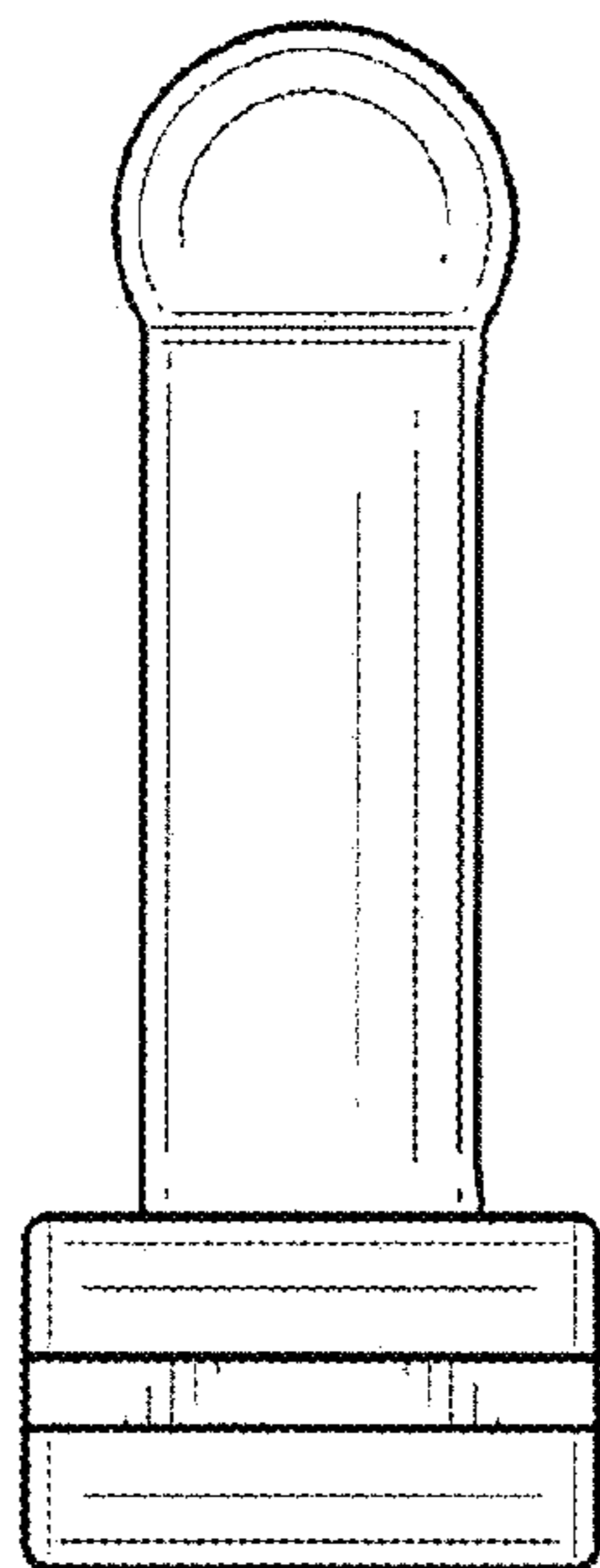


FIG. 6

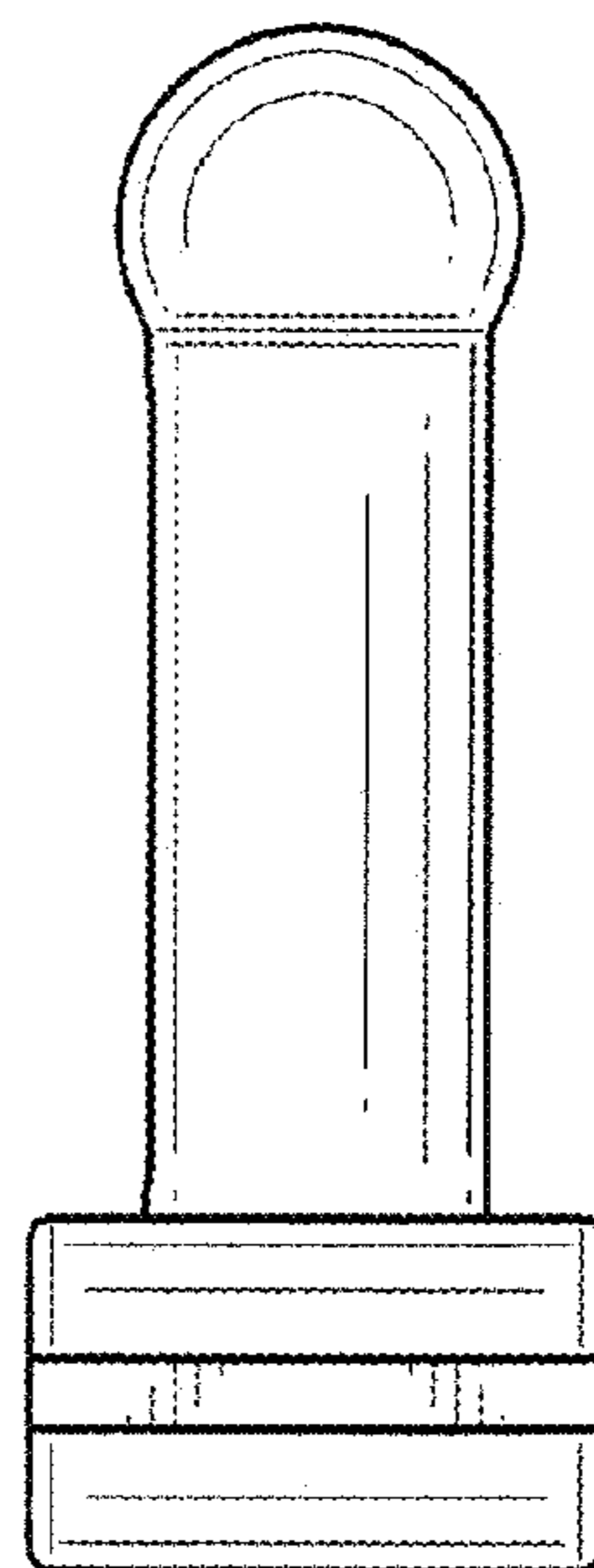


FIG. 7

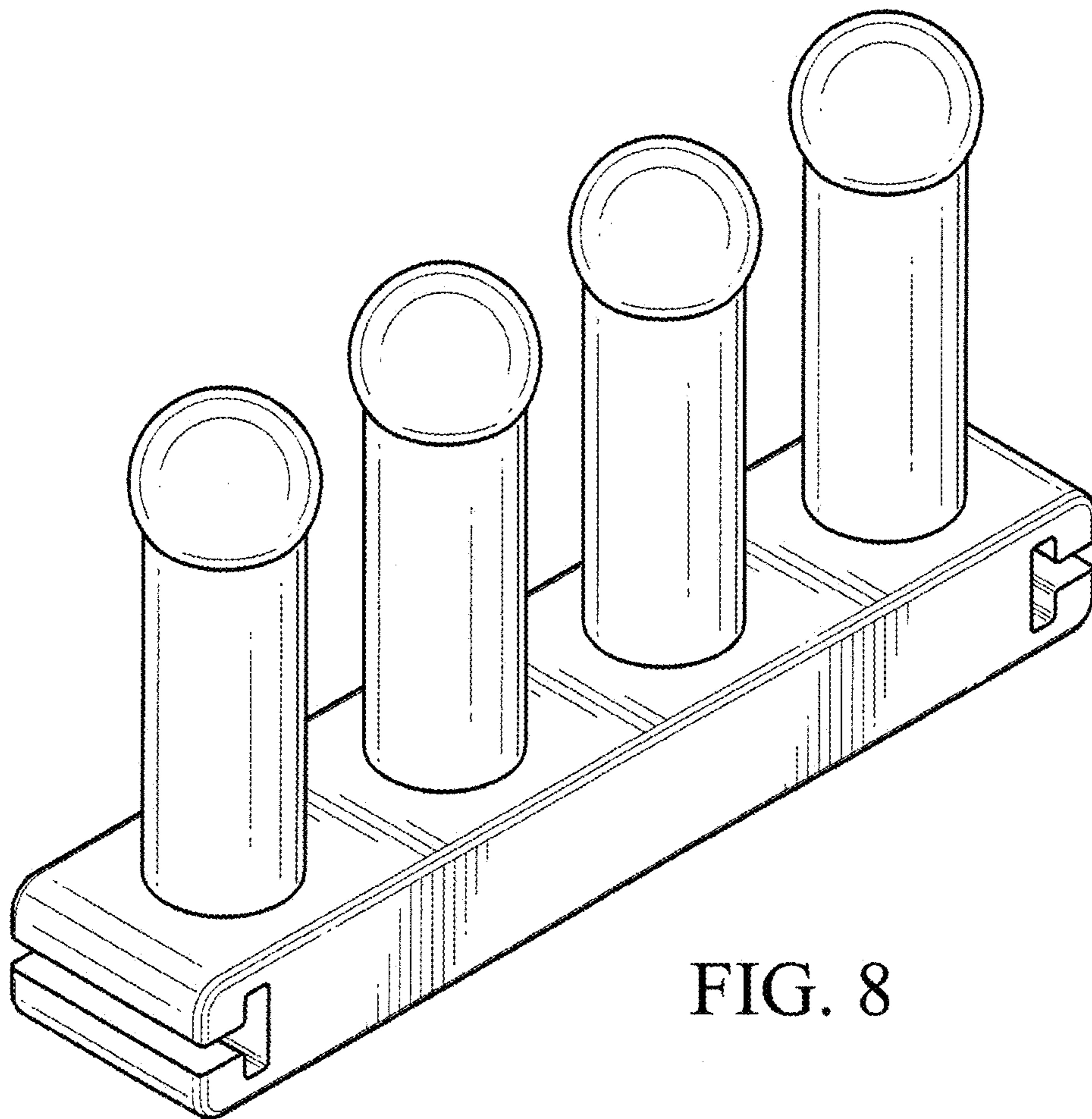


FIG. 8