



US00D745899S

(12) **United States Design Patent**  
**Anderson**

(10) **Patent No.:** **US D745,899 S**

(45) **Date of Patent:** **\*\* Dec. 22, 2015**

(54) **GRAIN DRYER GRAIN MOVING PADDLE**

(71) Applicant: **Allan Anderson**, Leland, IA (US)

(72) Inventor: **Allan Anderson**, Leland, IA (US)

(\*\*) Term: **14 Years**

(21) Appl. No.: **29/494,047**

(22) Filed: **Jun. 17, 2014**

(51) **LOC (10) Cl.** ..... **15-03**

(52) **U.S. Cl.**  
USPC ..... **D15/28**

(58) **Field of Classification Search**  
USPC ..... D15/10, 17, 28, 32; 198/731, 728, 734,  
198/850, 851, 852  
CPC ..... B65G 19/24; B65G 19/08  
See application file for complete search history.

(56) **References Cited**

**U.S. PATENT DOCUMENTS**

- 1,850,686 A \* 3/1932 Pangborn ..... B65G 19/22  
198/731
- 3,225,897 A \* 12/1965 Rollins ..... B65G 19/08  
198/734
- 3,449,840 A 6/1969 Francis
- 3,704,780 A 12/1972 Aidlin et al.
- 3,913,239 A 10/1975 Burgin
- 4,004,351 A 1/1977 Sanneman et al.
- D245,427 S \* 8/1977 Kudla ..... 280/842
- 4,142,302 A 3/1979 Primus
- 4,183,430 A 1/1980 Hunter
- 4,217,701 A 8/1980 Mathews
- 4,404,756 A 9/1983 Noyes
- 4,466,532 A \* 8/1984 Minneman ..... B65G 17/44  
198/468.01
- 4,471,868 A 9/1984 Buschbom et al.
- 4,530,167 A 7/1985 Hotovy
- 4,573,568 A \* 3/1986 Maag ..... B65G 19/22  
198/731
- 4,630,382 A 12/1986 Keiler et al.
- 4,732,260 A 3/1988 Canziani
- 4,756,404 A \* 7/1988 Maag ..... B65G 19/22  
198/731
- 4,766,995 A \* 8/1988 Sterwerf, Jr. .... B65G 19/08  
198/733

- 4,914,834 A 4/1990 Sime
- 4,950,398 A \* 8/1990 Wiegand ..... B65G 19/24  
198/731
- 5,039,827 A 8/1991 Harmon
- 5,048,671 A 9/1991 Ellsworth
- D325,034 S \* 3/1992 Buschbom ..... D15/28
- 5,165,522 A \* 11/1992 Uttke ..... B01D 21/18  
198/716

(Continued)

**FOREIGN PATENT DOCUMENTS**

- DE 19905426 A1 8/2000
- GB 398628 9/1933
- JP 56108633 A 8/1981

*Primary Examiner* — Mark Goodwin

(57) **CLAIM**

The ornamental design for a grain dryer grain moving paddle, as shown and described.

**DESCRIPTION**

FIG. 1 is a rear elevated view of a grain dryer grain moving paddle showing my new design, the lines in phantom being for illustrative purposes only to indicate openings extending through grain dryer grain moving paddle;

FIG. 2 is a front elevated view of the grain dryer grain moving paddle;

FIG. 3 is a right side elevated view of the grain dryer grain moving paddle, the lines in phantom being for illustrative purposes only to indicate openings extending through grain dryer grain moving paddle;

FIG. 4 is a left side elevated view of the grain dryer grain moving paddle;

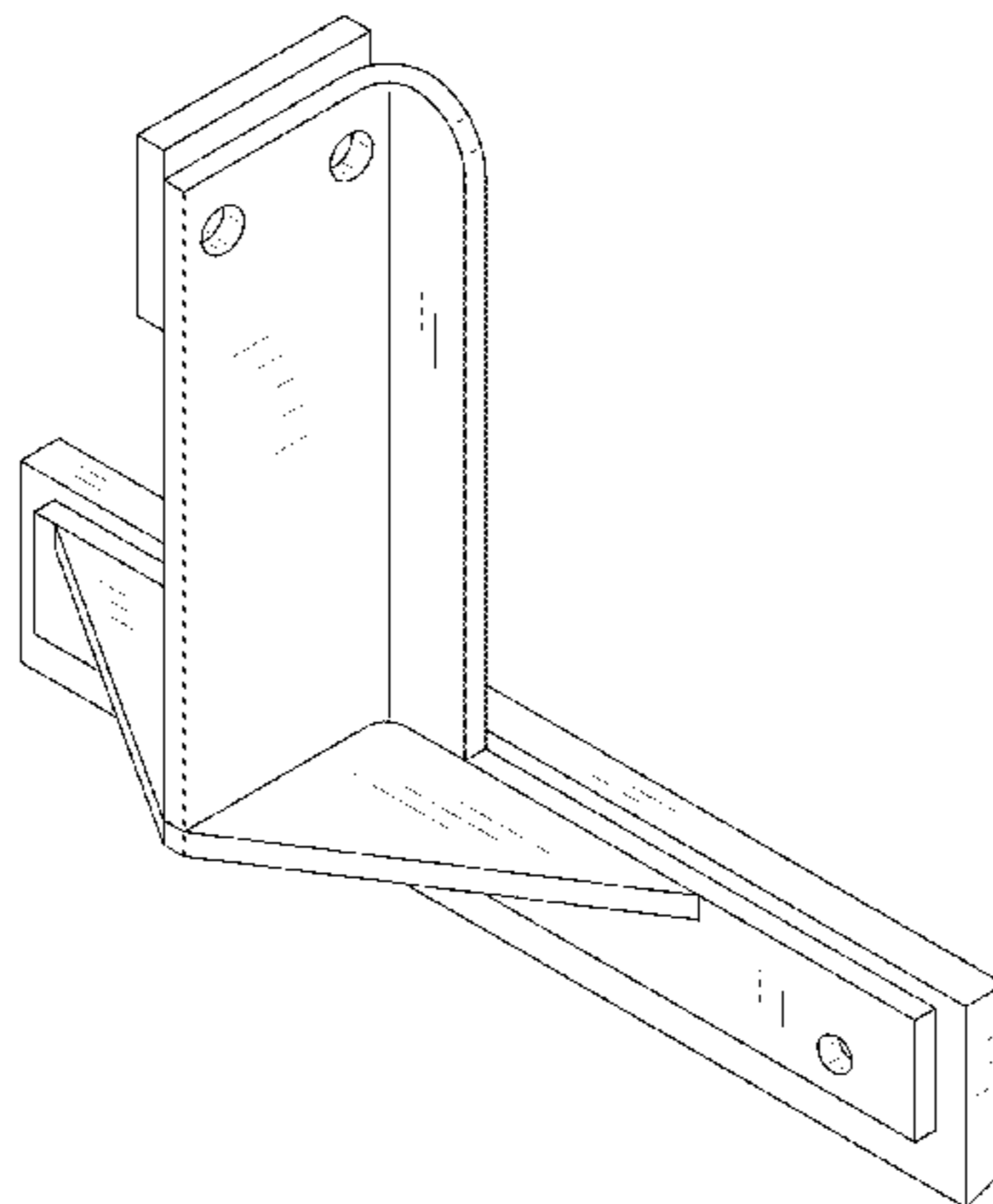
FIG. 5 is a top plan view of the grain dryer grain moving paddle;

FIG. 6 is a bottom plan view of the grain dryer grain moving paddle;

FIG. 7 is a rear perspective view of the grain dryer grain moving paddle; and,

FIG. 8 is a front in-use view of the grain dryer grain moving paddle, the lines in phantom being for illustrative purposes only and forming no portion of the claimed invention.

**1 Claim, 6 Drawing Sheets**



(56)

References Cited

U.S. PATENT DOCUMENTS

D338,892 S *	8/1993	Crawford .....	D15/10	7,036,657 B1	5/2006	Robinson	
D338,897 S *	8/1993	Buschbom .....	D15/28	7,080,728 B2 *	7/2006	Gunston .....	B65G 19/24 198/731
5,449,263 A	9/1995	Campbell et al.		7,568,297 B2	8/2009	Pierson et al.	
D365,575 S *	12/1995	Geiser .....	D15/28	8,240,062 B2	8/2012	Sukup	
5,593,019 A	1/1997	Schagel		8,601,714 B2	12/2013	Morrison et al.	
5,860,221 A	1/1999	Morrison et al.		8,782,919 B1 *	7/2014	Anderson .....	F26B 17/12 198/734
5,947,261 A *	9/1999	Baker .....	B65G 19/14 198/727	8,875,412 B1 *	11/2014	Anderson .....	F26B 9/063 165/177
6,073,364 A	6/2000	McKenzie et al.		2002/0032971 A1	3/2002	Middaugh et al.	
6,073,367 A	6/2000	McKenzie et al.		2006/0123655 A1	6/2006	Valfiorani	
6,073,752 A *	6/2000	Meya .....	B65G 19/24 198/731	2006/0130357 A1	6/2006	Long, Jr.	
6,076,276 A	6/2000	McKenzie et al.		2007/0169370 A1	7/2007	Sukup	
6,098,305 A	8/2000	Watson et al.		2007/0234587 A1	10/2007	Person et al.	
6,233,843 B1	5/2001	McKenzie et al.		2008/0178488 A1	7/2008	Shivvers	
D477,612 S *	7/2003	Keller .....	D15/28	2008/0304945 A1	12/2008	Hlinka	
6,834,442 B1	12/2004	Bioemendal		2009/0191091 A1	7/2009	Danchenko et al.	
				2010/0229421 A1	9/2010	Salisbury	
				2012/0011736 A1	1/2012	Morrison et al.	

\* cited by examiner

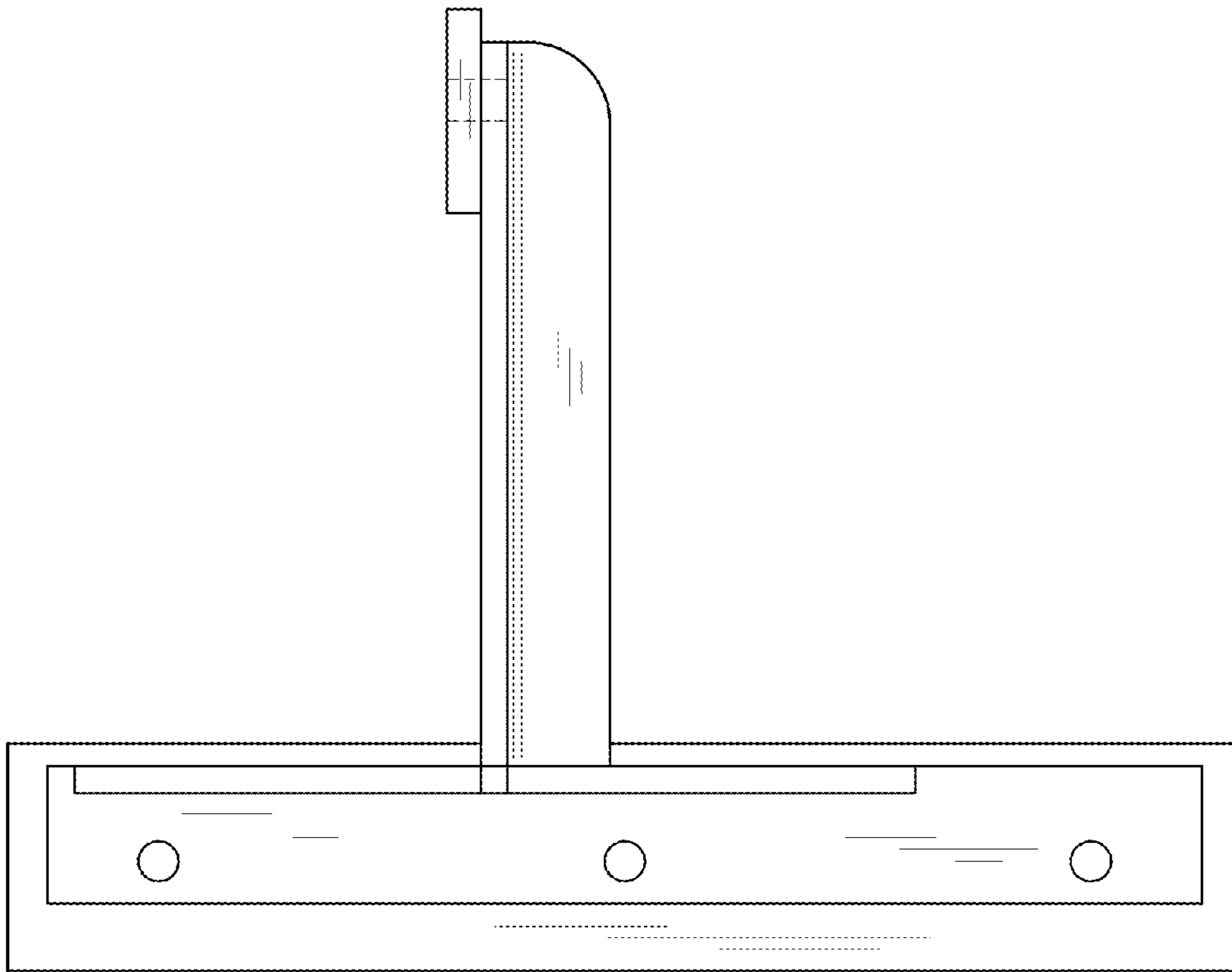


FIG. 1

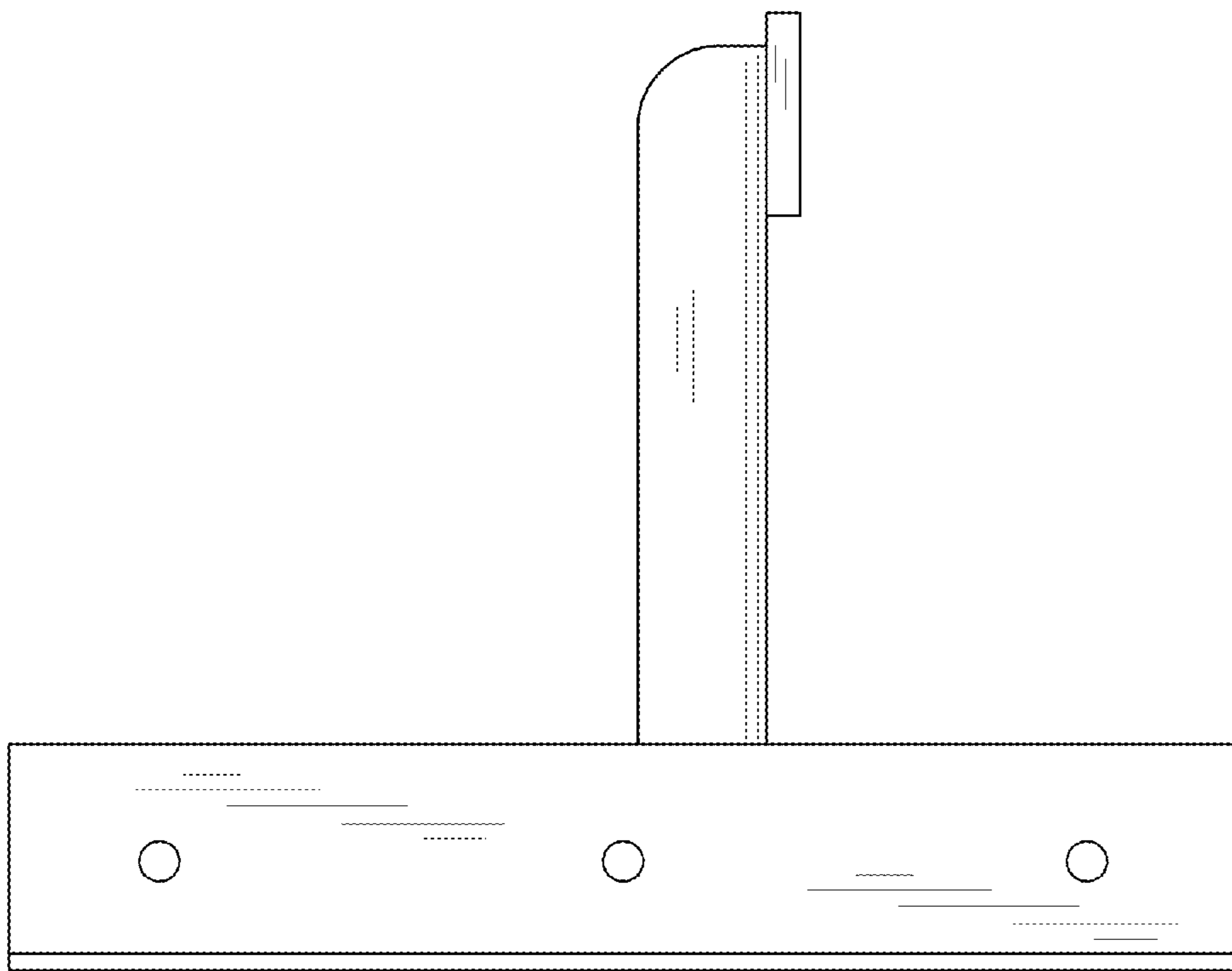


FIG. 2

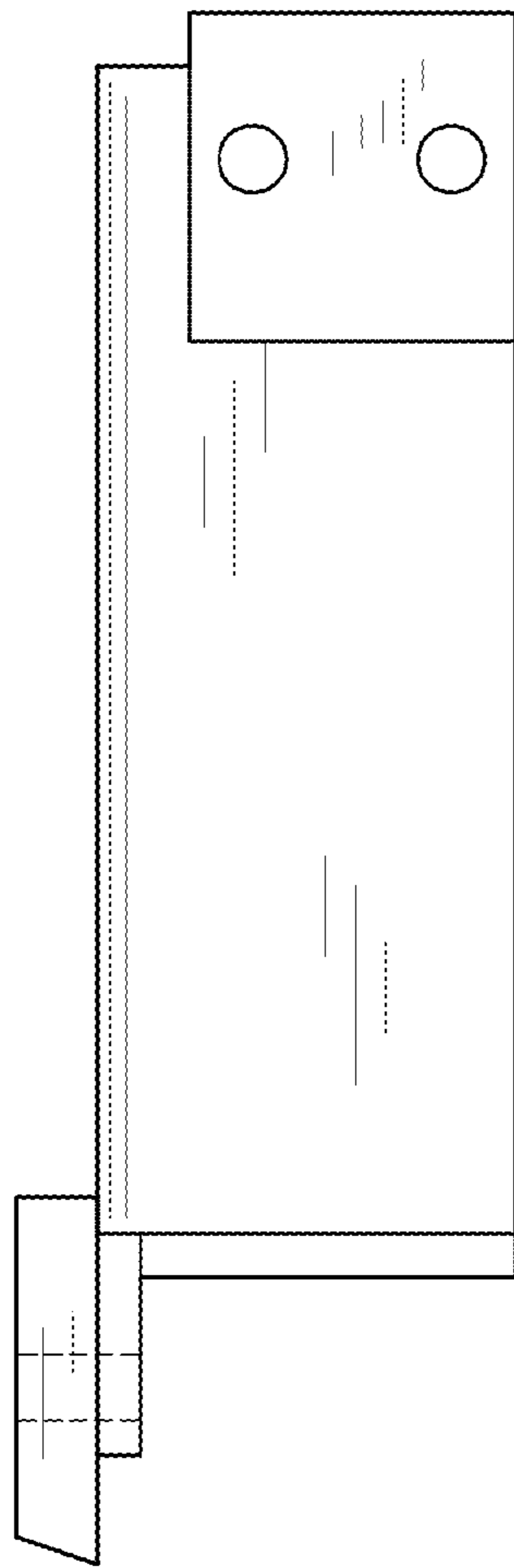


FIG. 3

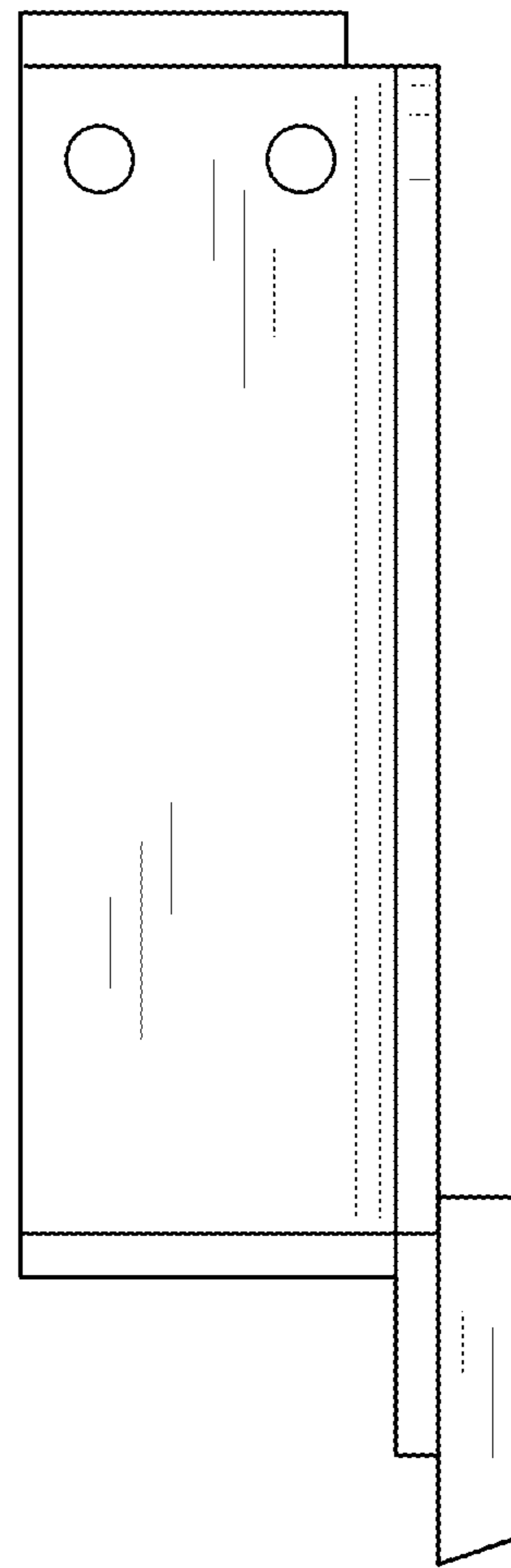


FIG. 4

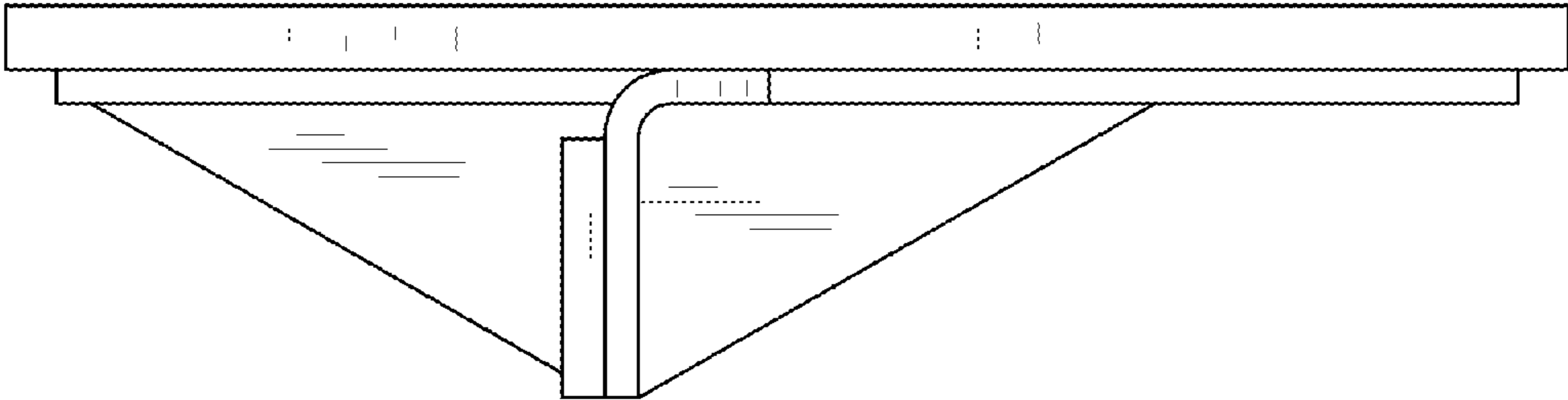


FIG. 5

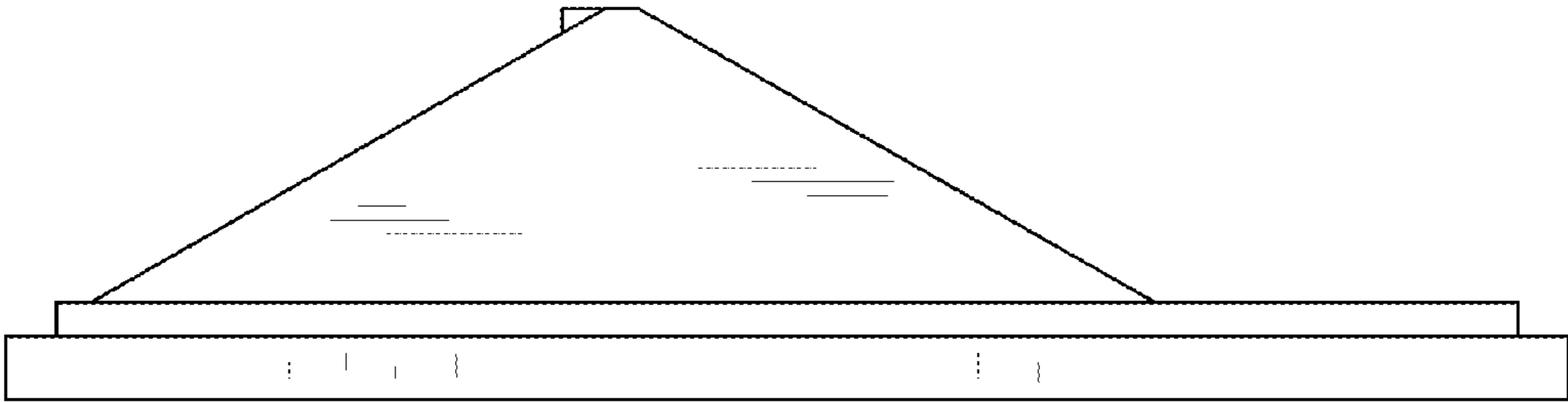


FIG. 6

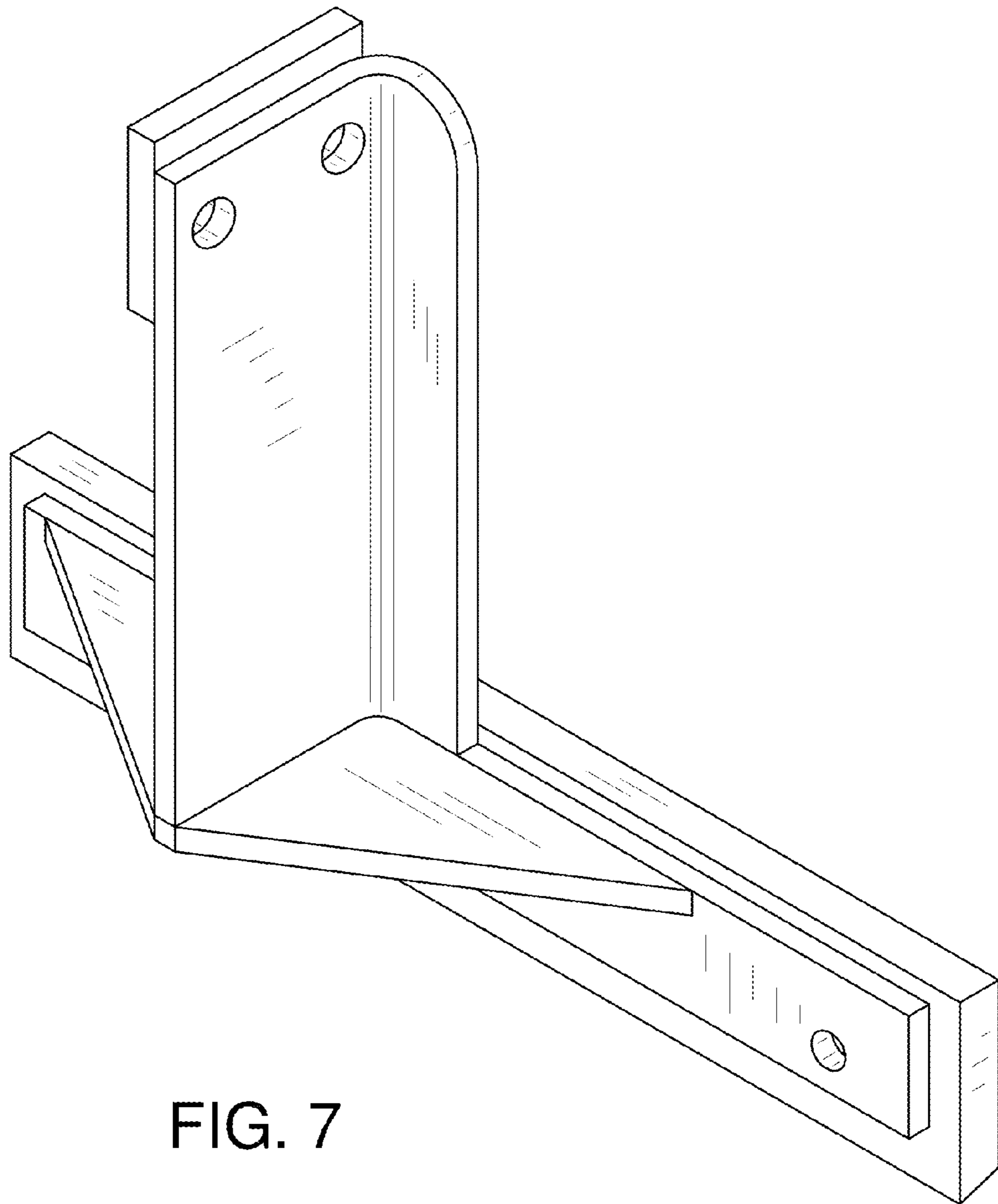


FIG. 7

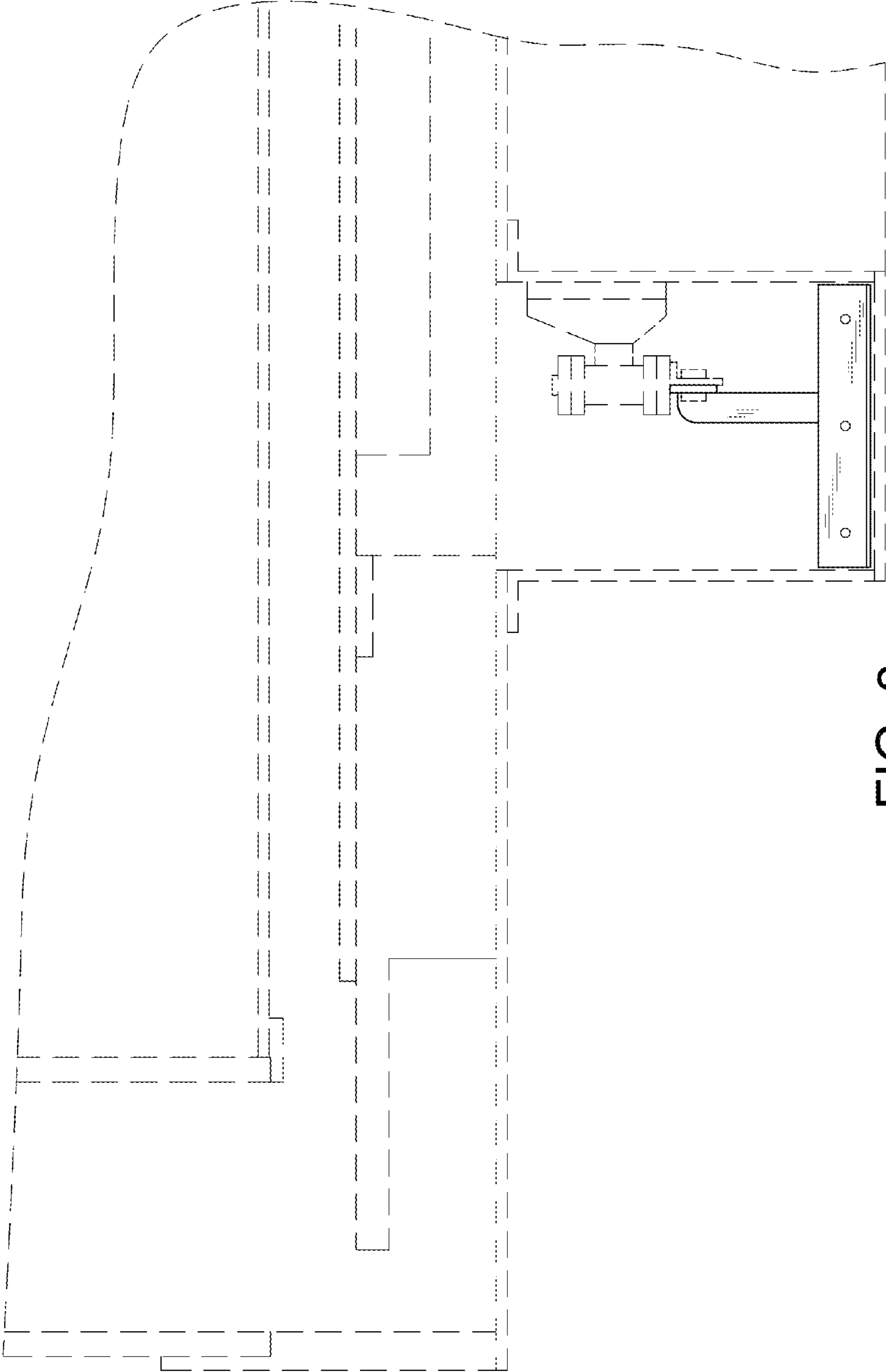


FIG. 8