



US00D745897S

(12) **United States Design Patent**  
**Mehra et al.**

(10) **Patent No.:** **US D745,897 S**

(45) **Date of Patent:** **\*\* Dec. 22, 2015**

(54) **ROBOTIC MOWER**

(71) Applicant: **Husqvarna AB**, Huskvarna (SE)

(72) Inventors: **Rajinder Mehra**, Johanneshov (SE);  
**Gustav Landberg**, Johanneshov (SE)

(73) Assignee: **HUSQVARNA AB**, Huskvarna (SE)

(\*\*) Term: **14 Years**

(21) Appl. No.: **29/493,194**

(22) Filed: **Jun. 6, 2014**

(30) **Foreign Application Priority Data**

Dec. 6, 2013 (EM) ..... 002365080-0001

(51) **LOC (10) Cl.** ..... **15-03**

(52) **U.S. Cl.**  
USPC ..... **D15/17; D15/14**

(58) **Field of Classification Search**

USPC ..... D15/14, 17, 18; 56/11.9, 17.5, 13.4,  
56/12.8, 16.7, 202, 255, 294, 295, 320.1,  
56/320.2; 180/900, 89.1, 89.12  
CPC ..... A01D 34/008; A01D 34/81; B60L 1/003;  
B60L 3/0061; B60L 11/1803; B60L 11/1805;  
B60L 11/1877; B60L 15/20; B60L 2260/28;  
B60L 2200/40; B60L 2220/16; B60L 2220/46;  
B60L 2240/36; B60L 2240/421

See application file for complete search history.

(56) **References Cited**

U.S. PATENT DOCUMENTS

D420,365 S *	2/2000	Gunnar	.....	D15/14
D451,931 S *	12/2001	Abramson et al.	.....	D15/14
D504,901 S *	5/2005	Wickstrom et al.	.....	D15/14
D559,867 S *	1/2008	Abramson	.....	D15/14
D652,431 S *	1/2012	Naslund	.....	D15/14
D656,163 S *	3/2012	Johansson et al.	.....	D15/14
D678,352 S *	3/2013	Maeda et al.	.....	D15/17
D679,294 S *	4/2013	Tajik et al.	.....	D15/17
D679,295 S *	4/2013	Tajik et al.	.....	D15/17
D681,065 S *	4/2013	Maeda	.....	D15/17
D688,276 S *	8/2013	Naslund	.....	D15/14

\* cited by examiner

*Primary Examiner* — Mark Goodwin

(74) *Attorney, Agent, or Firm* — Nelson Mullins Riley & Scarborough LLP

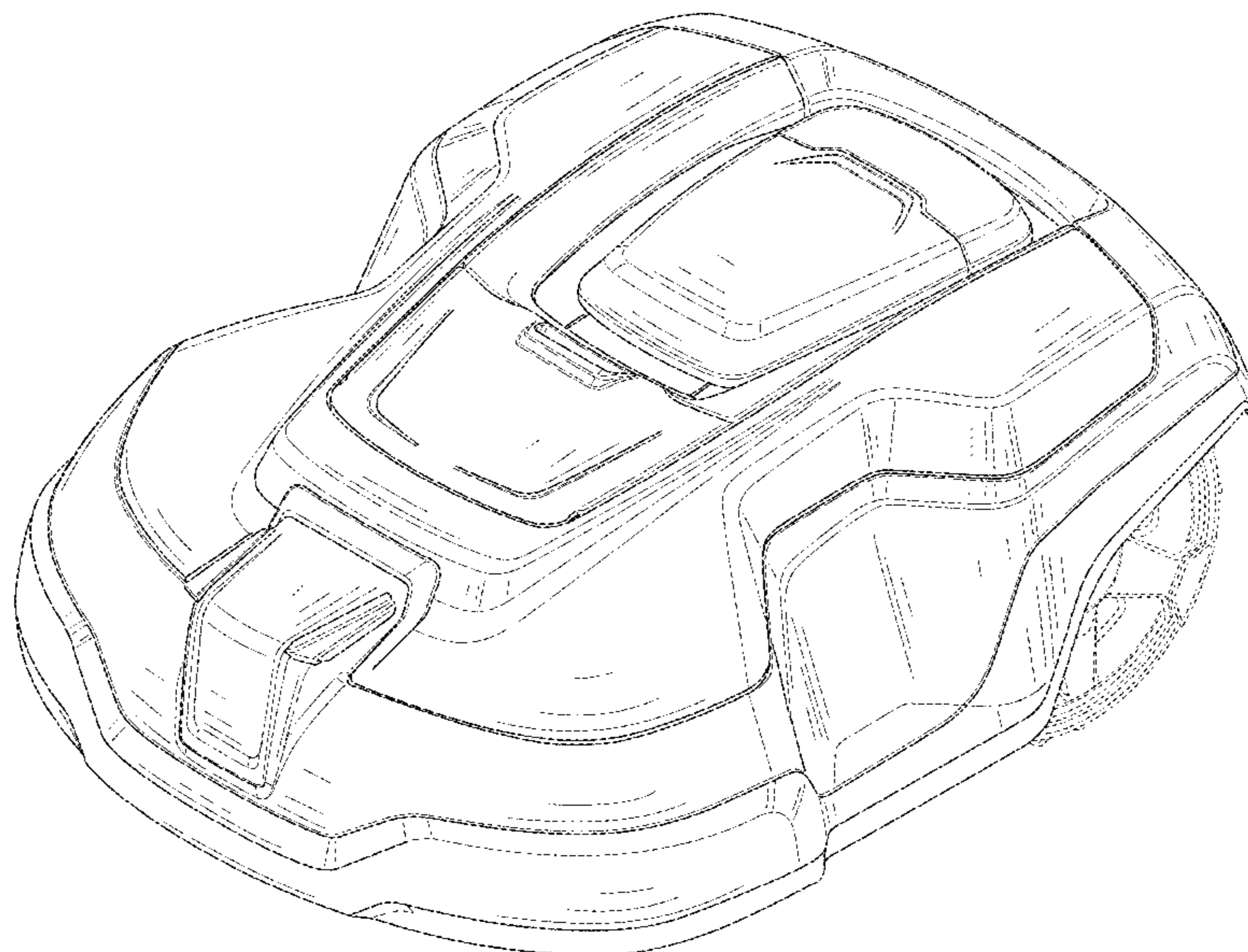
(57) **CLAIM**

The ornamental design for a robotic mower, as shown and described.

**DESCRIPTION**

FIG. 1 is a perspective view of a robotic mower in accordance with an embodiment of the present invention; FIG. 2 is a front view of the robotic mower; FIG. 3 is a rear view of the robotic mower; FIG. 4 is a left side view of the robotic mower; FIG. 5 is a right side view of the robotic mower; FIG. 6 is a top view of the robotic mower; and, FIG. 7 is a bottom view of the robotic mower. The broken lines of FIGS. 1-7 are illustrative of the visible environmental structure of the robotic mower and form no part of the claimed design.

**1 Claim, 6 Drawing Sheets**



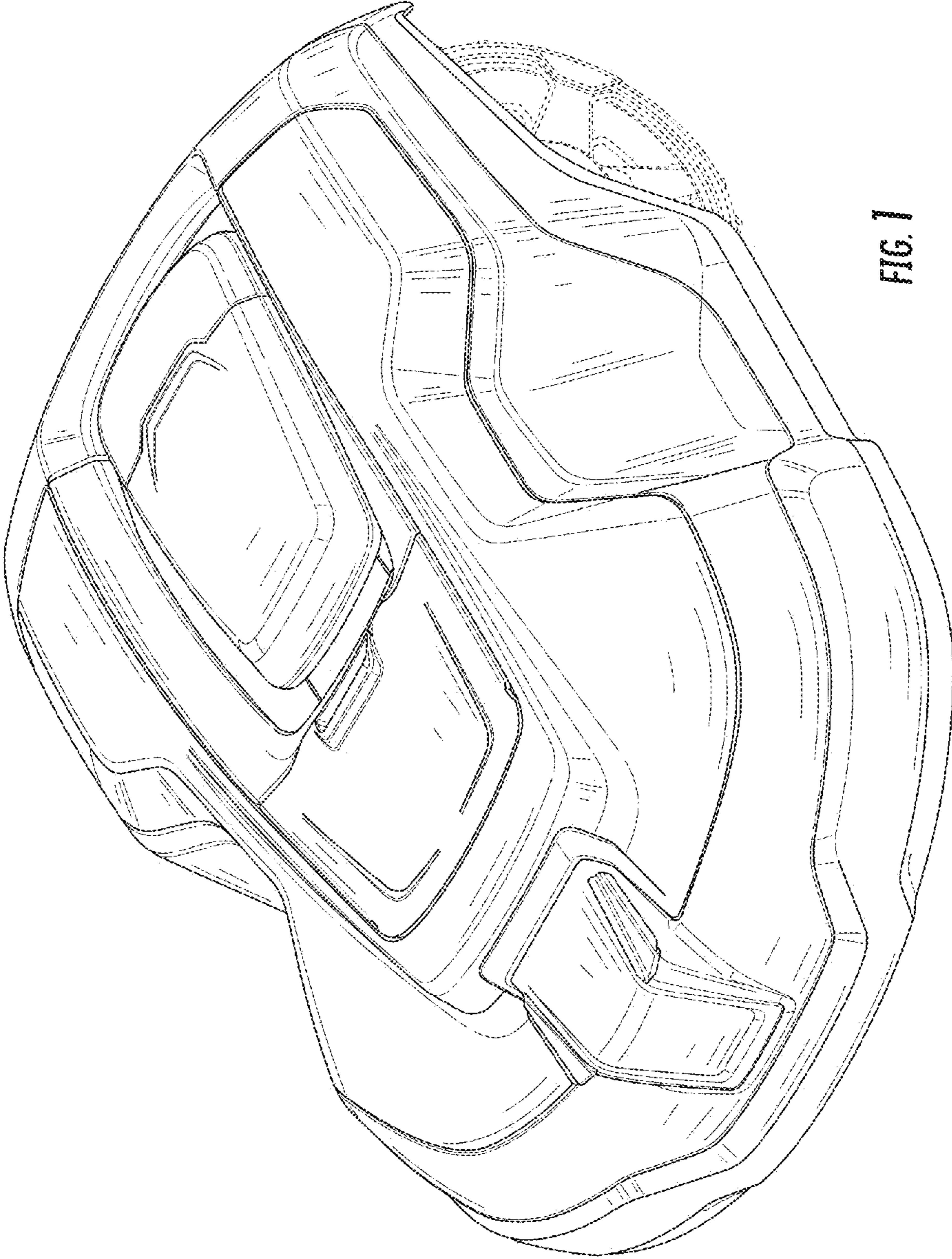


FIG. 1

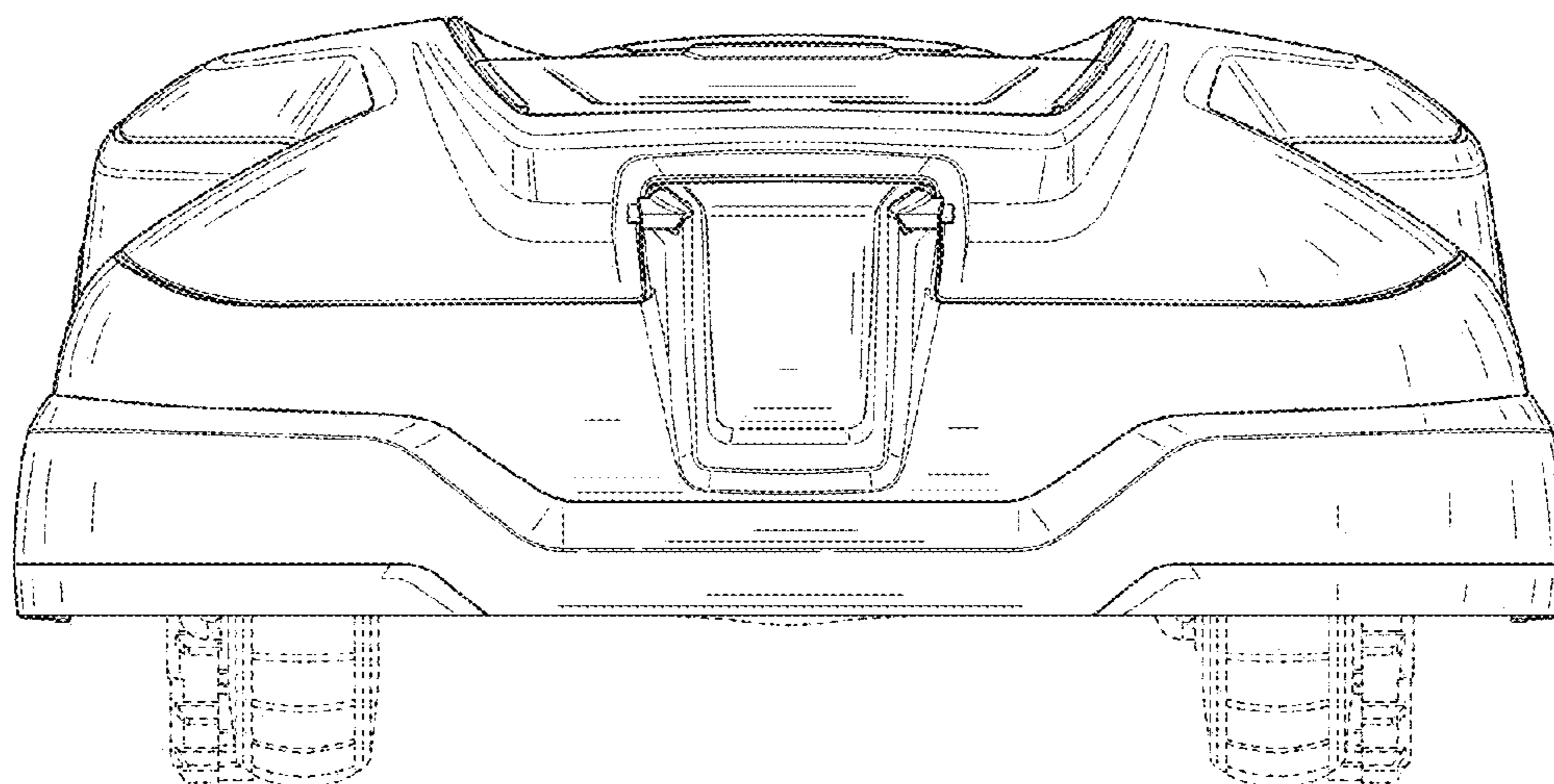


FIG. 2

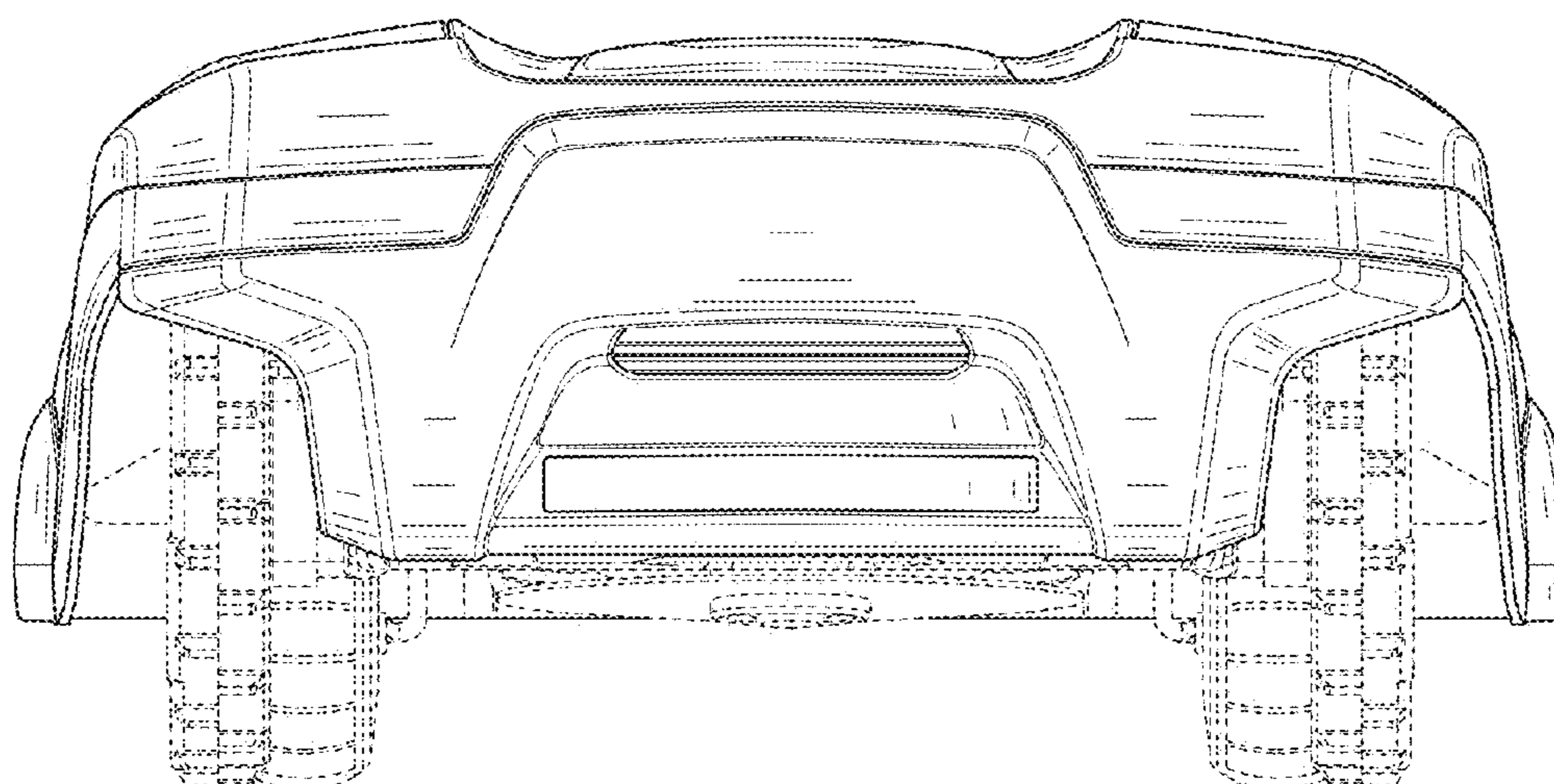


FIG. 3

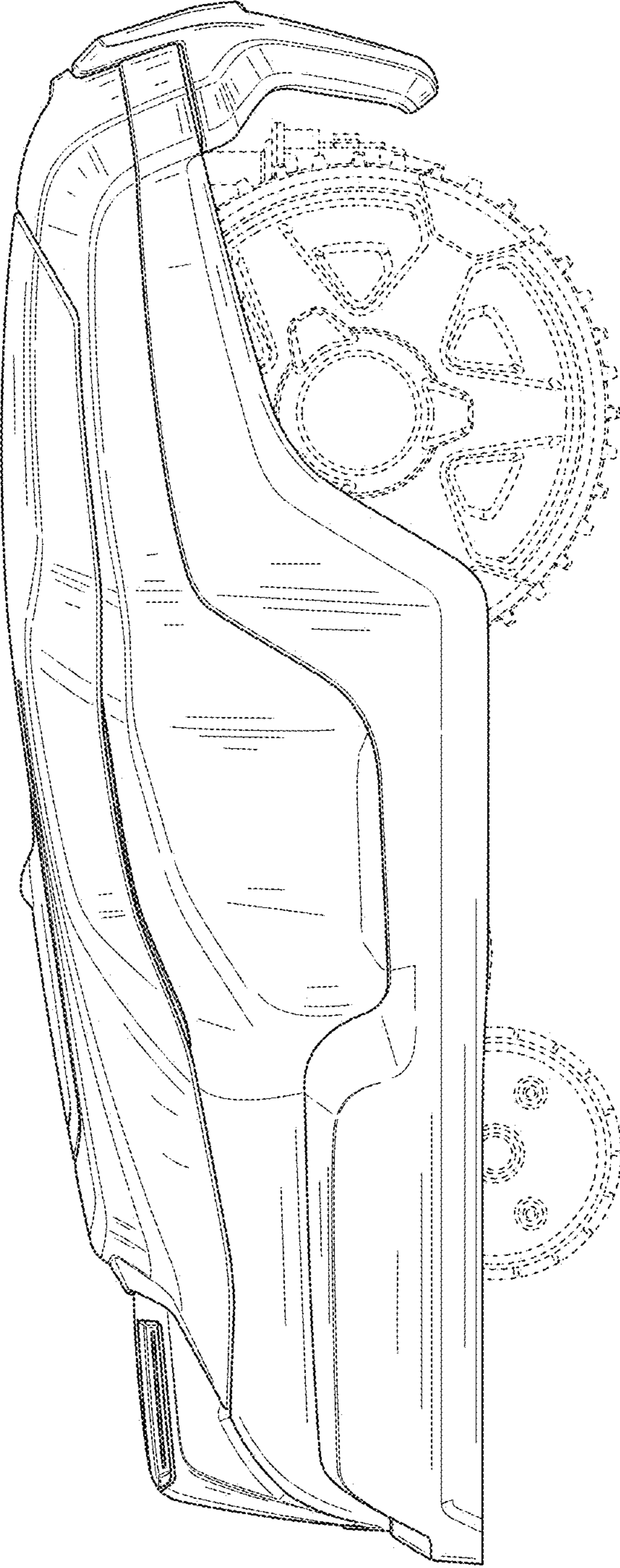


FIG. 4

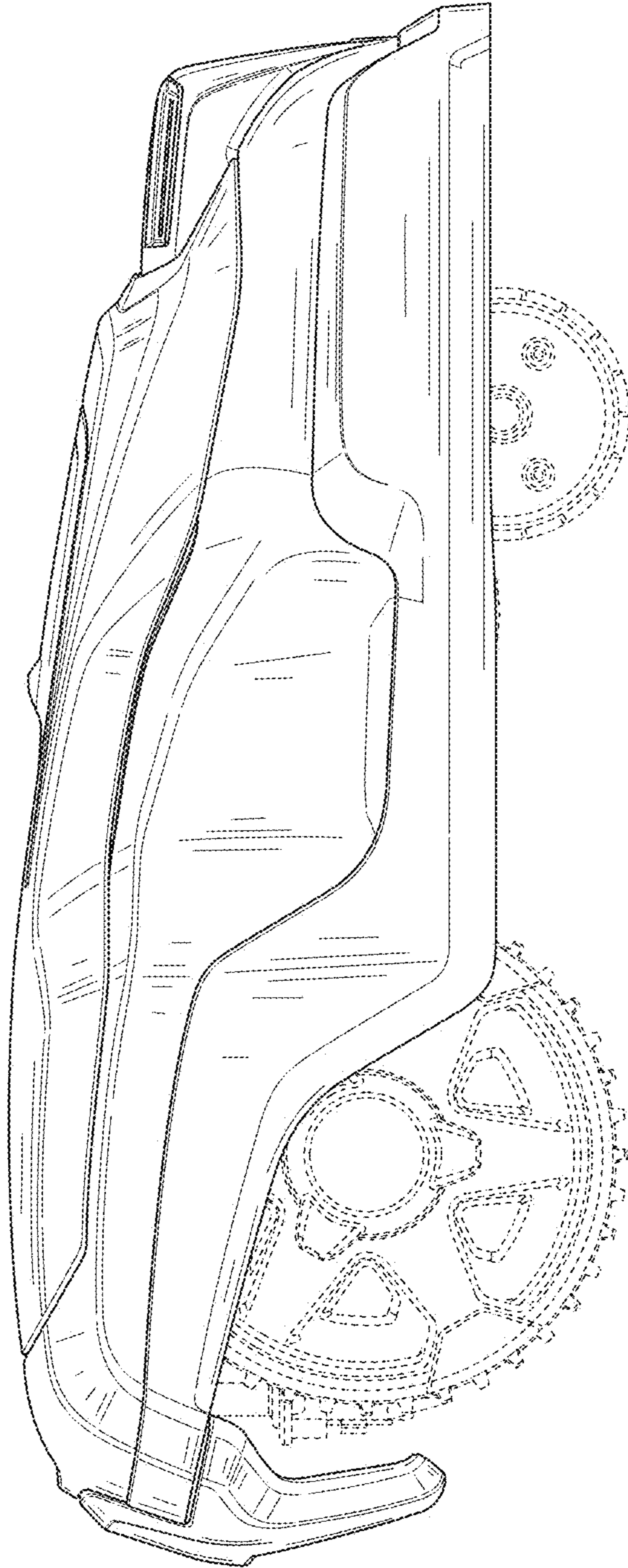


FIG. 5

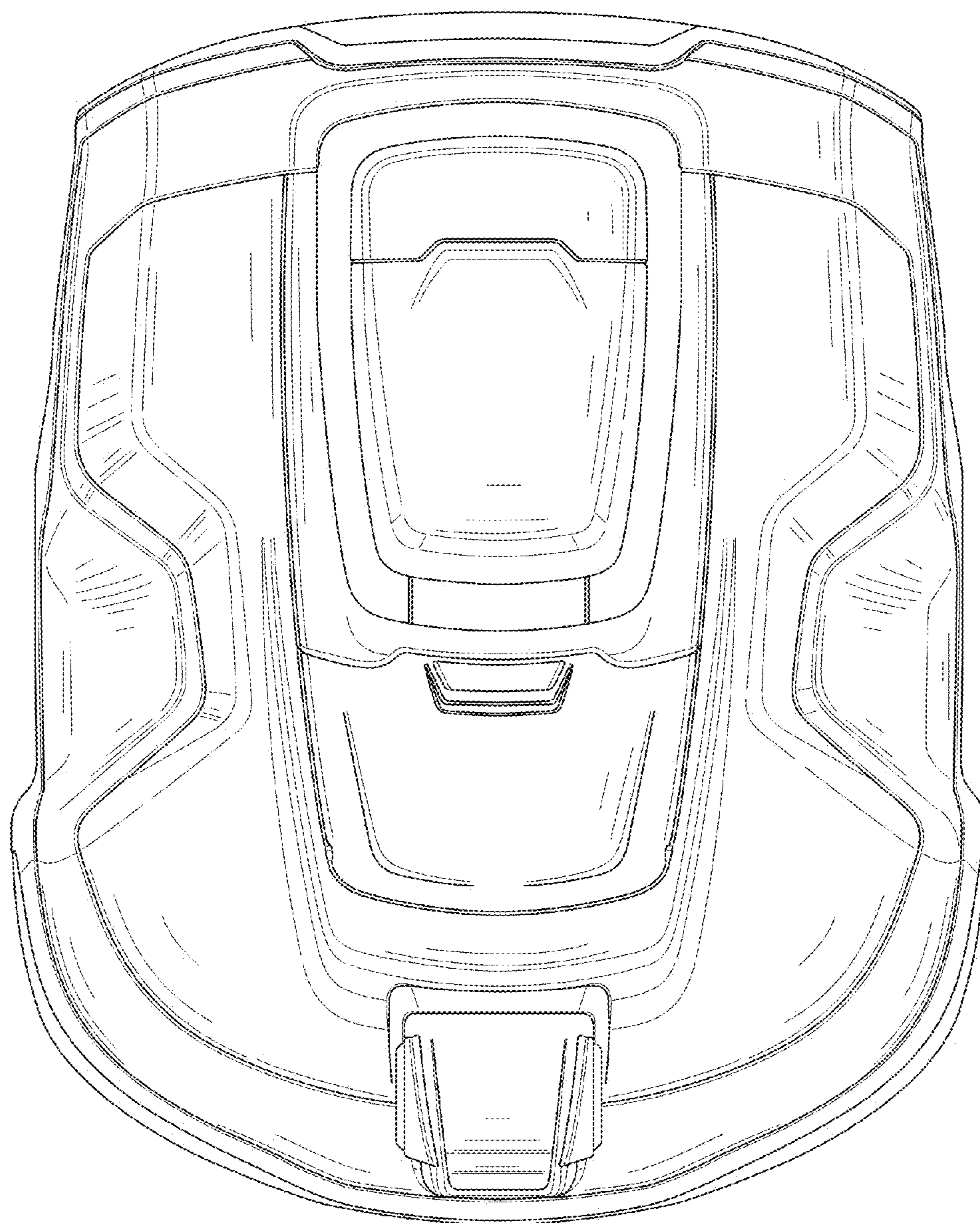


FIG. 6

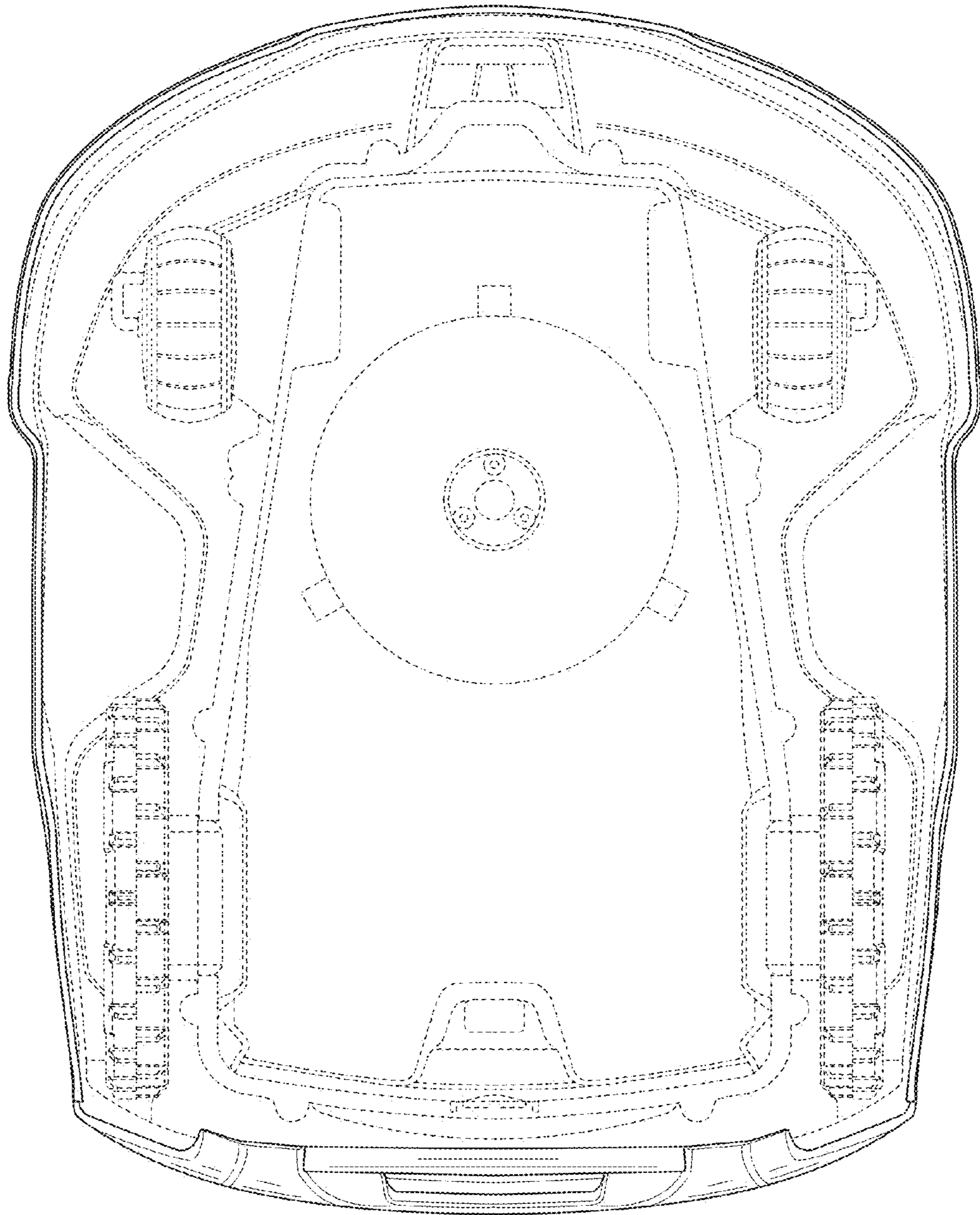


FIG. 7