



US00D745896S

(12) **United States Design Patent**  
**Ohser et al.**

(10) **Patent No.:** **US D745,896 S**

(45) **Date of Patent:** **\*\* Dec. 22, 2015**

(54) **COMPRESSOR**

(71) Applicants: **Klaus Ohser**, Wiedemar OT Kyhna (DE); **Bertram Wipper**, Leipzig (DE)

(72) Inventors: **Klaus Ohser**, Wiedemar OT Kyhna (DE); **Bertram Wipper**, Leipzig (DE)

(73) Assignee: **BITZER Kuehlmaschinenbau GmbH**, Sindelfingen (DE)

(\*\*) Term: **14 Years**

(21) Appl. No.: **29/501,852**

(22) Filed: **Sep. 9, 2014**

**Related U.S. Application Data**

(62) Division of application No. 29/458,423, filed on Jun. 19, 2013, now Pat. No. Des. 717,344.

(30) **Foreign Application Priority Data**

Dec. 20, 2012	(EM)	002156752
Dec. 20, 2012	(EM)	002156752-0001
Dec. 20, 2012	(EM)	002156752-0002
Dec. 20, 2012	(EM)	002156752-0003
Dec. 20, 2012	(EM)	002156752-0004

(51) **LOC (10) Cl.** ..... **15-02**

(52) **U.S. Cl.**  
USPC ..... **D15/9**

(58) **Field of Classification Search**  
USPC ..... D15/7-9; D23/231, 232, 225; 417/60, 417/235, 265, 321, 355, 358, 363, 359, 417/410.1, 415-416, 405, 900, 231, 313, 417/273, 539; 60/408, 412; 184/26-37; 415/140-147; 123/495, 509; 418/259  
CPC ..... F01B 3/00; F01B 13/04; F01B 1/26; F04B 1/12; F04B 39/124; F04B 27/08  
See application file for complete search history.

(56) **References Cited**

U.S. PATENT DOCUMENTS

D394,068 S 5/1998 Pollrich et al.  
D466,522 S 12/2002 Huang

(Continued)

OTHER PUBLICATIONS

U.S. Appl. No. 29/434,711, filed Oct. 16, 2012, Hermann.  
(Continued)

*Primary Examiner* — Ralf Seifert

(74) *Attorney, Agent, or Firm* — Reinhart Boerner Van Deuren P.C.

(57) **CLAIM**

We claim the ornamental design for the compressor, as shown and described.

**DESCRIPTION**

The design application contains at least one drawing executed in color. Copies of this design application publication with color drawings will be provided by the Office upon request and payment of the necessary fee.

FIG. 1 is a front and left hand side perspective view of a compressor showing our new design:

FIG. 2 is a left side view of FIG. 1;

FIG. 3 is a right side view of FIG. 1;

FIG. 4 is a rear view of FIG. 1;

FIG. 5 is a front view of FIG. 1;

FIG. 6 is a top view of FIG. 1; and

FIG. 7 is a bottom view of FIG. 1.

FIG. 8 is a front and left hand side perspective view of a compressor showing second embodiment of our new design:

FIG. 9 is a left side view of FIG. 8;

FIG. 10 is a right side view of FIG. 8;

FIG. 11 is a rear view of FIG. 8;

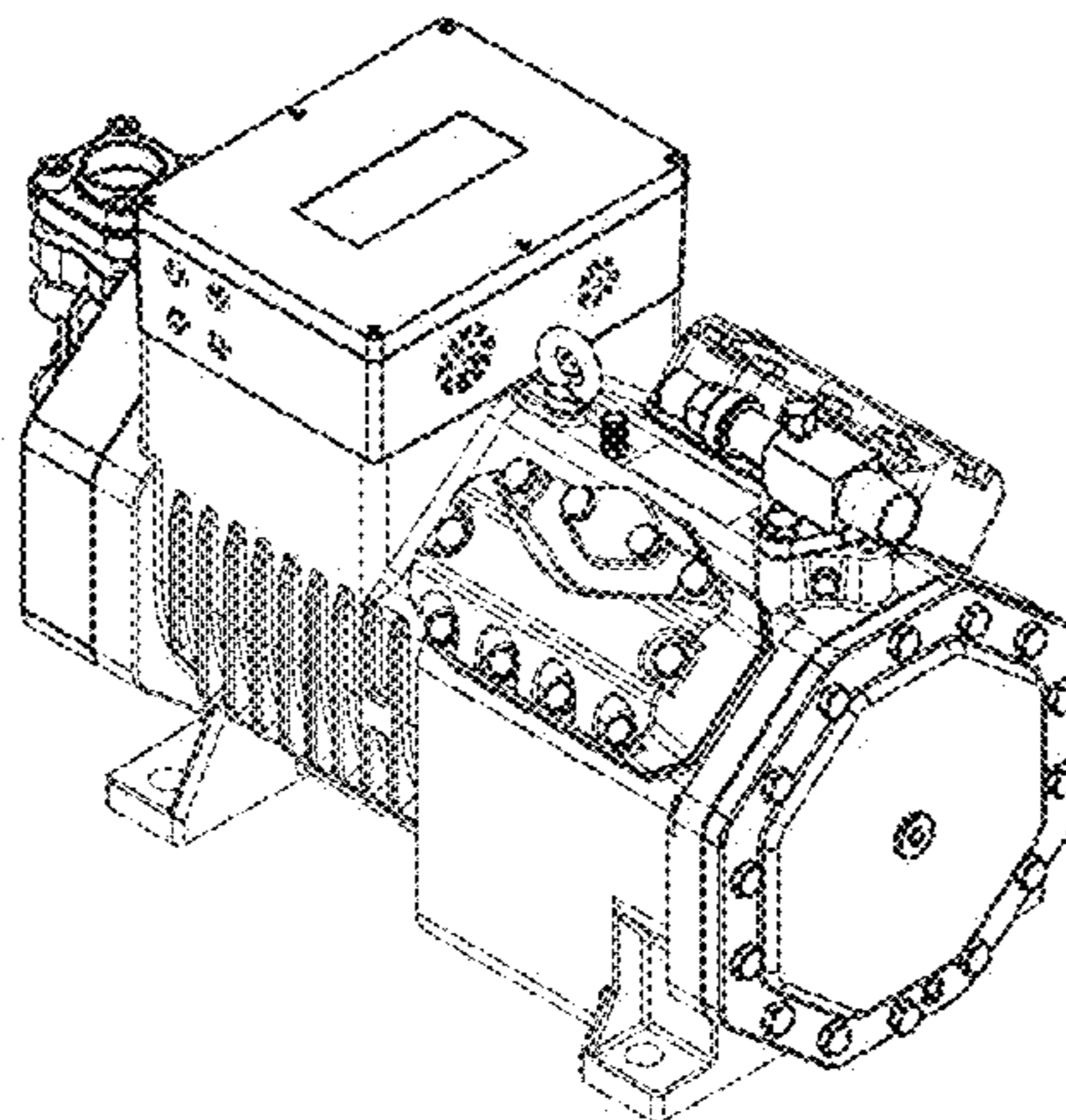
FIG. 12 is a front view of FIG. 8;

FIG. 13 is a top view of FIG. 8; and,

FIG. 14 is a bottom view of FIG. 8.

The broken lines are included for the purpose of illustrating portions of the compressor that form no part of the claimed design.

**1 Claim, 14 Drawing Sheets**  
**(7 of 14 Drawing Sheet(s) Filed in Color)**



(56)

**References Cited**

U.S. PATENT DOCUMENTS

D467,254 S 12/2002 Ullrich  
D479,246 S 9/2003 Leu  
D479,247 S 9/2003 Ullrich  
D499,745 S \* 12/2004 Hsiao ..... D15/9  
D512,442 S 12/2005 Moser, III  
D518,068 S 3/2006 Rodopoulos  
D531,194 S 10/2006 Hertenstein et al.  
D538,826 S 3/2007 Kienzle  
D558,232 S 12/2007 Wang  
D573,159 S \* 7/2008 Etter ..... D15/7  
D595,748 S 7/2009 Kratschmer

D613,635 S 4/2010 Chu  
D614,673 S \* 4/2010 Chen ..... D15/9  
D619,624 S \* 7/2010 Iwagoshi et al. .... D15/7  
D630,229 S 1/2011 Dreifert  
D656,518 S \* 3/2012 Varini ..... D15/7  
D684,197 S 6/2013 Kienzle et al.  
D709,524 S \* 7/2014 Ohser et al. .... D15/9  
D717,344 S \* 11/2014 Ohser et al. .... D15/9

OTHER PUBLICATIONS

U.S. Appl. No. 29/455,498, filed May 21, 2013, Ohser et al.  
U.S. Appl. No. 29/446,895, filed Feb. 28, 2013, Kienzle et al.

\* cited by examiner

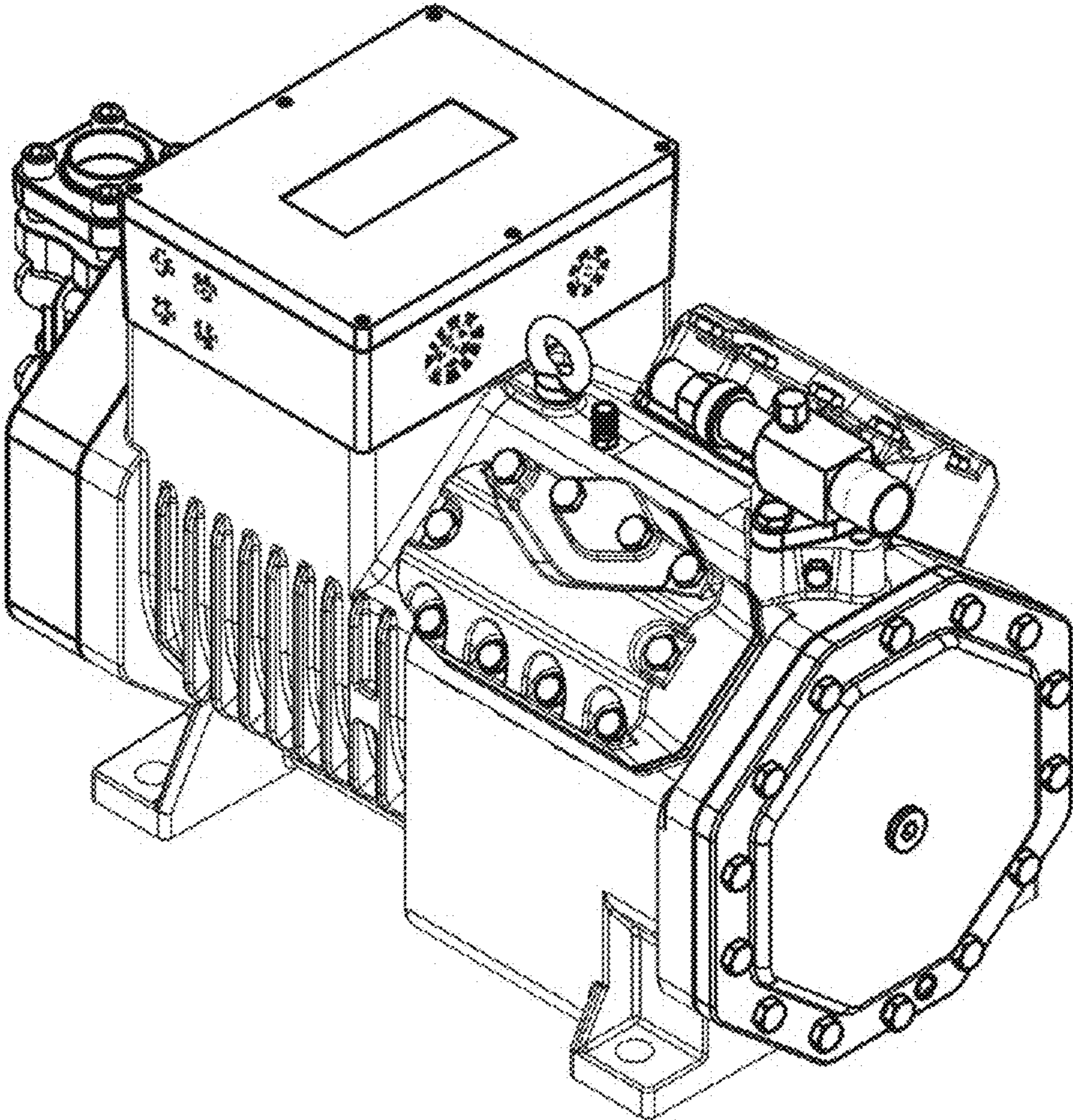


FIG. 1



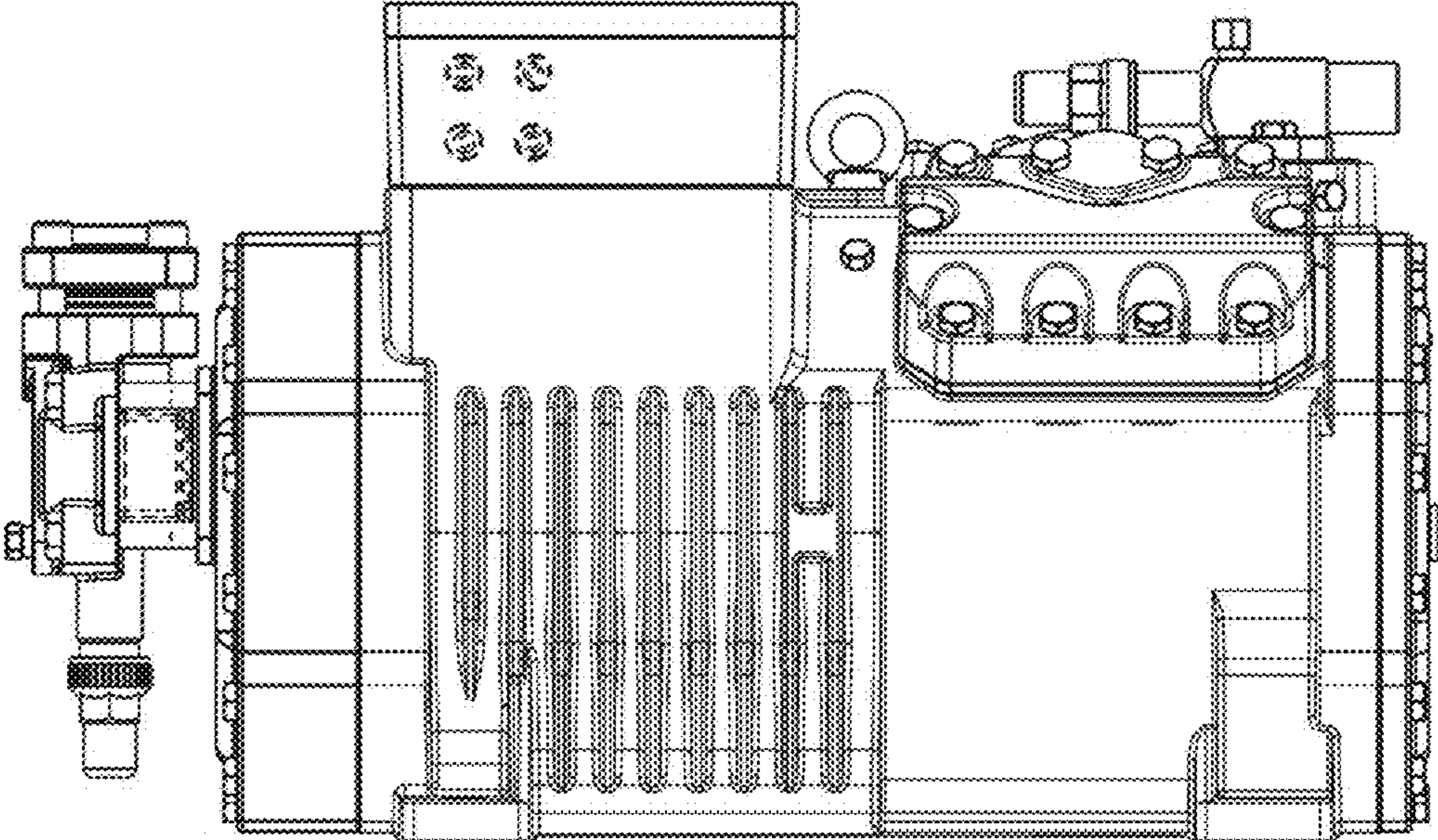
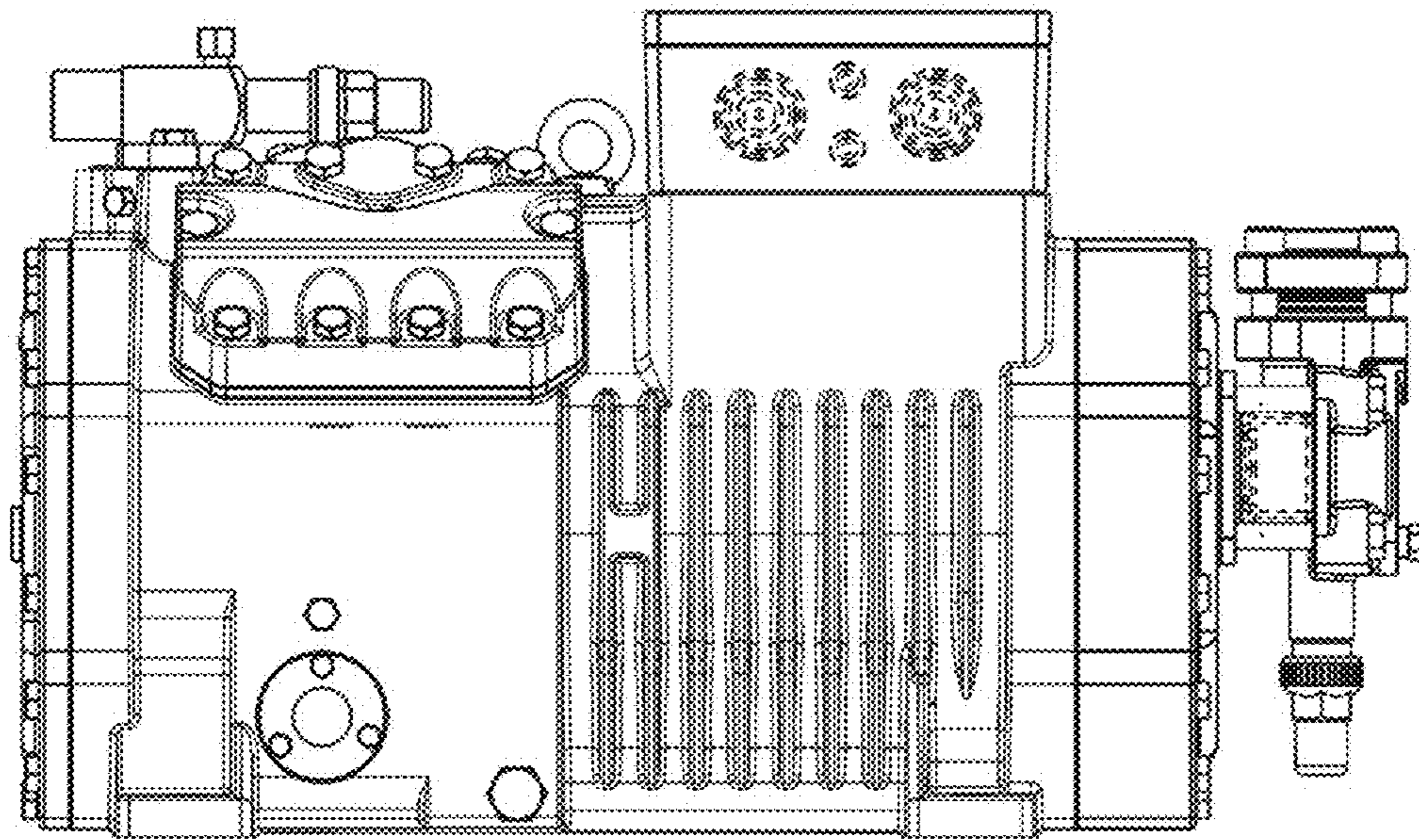
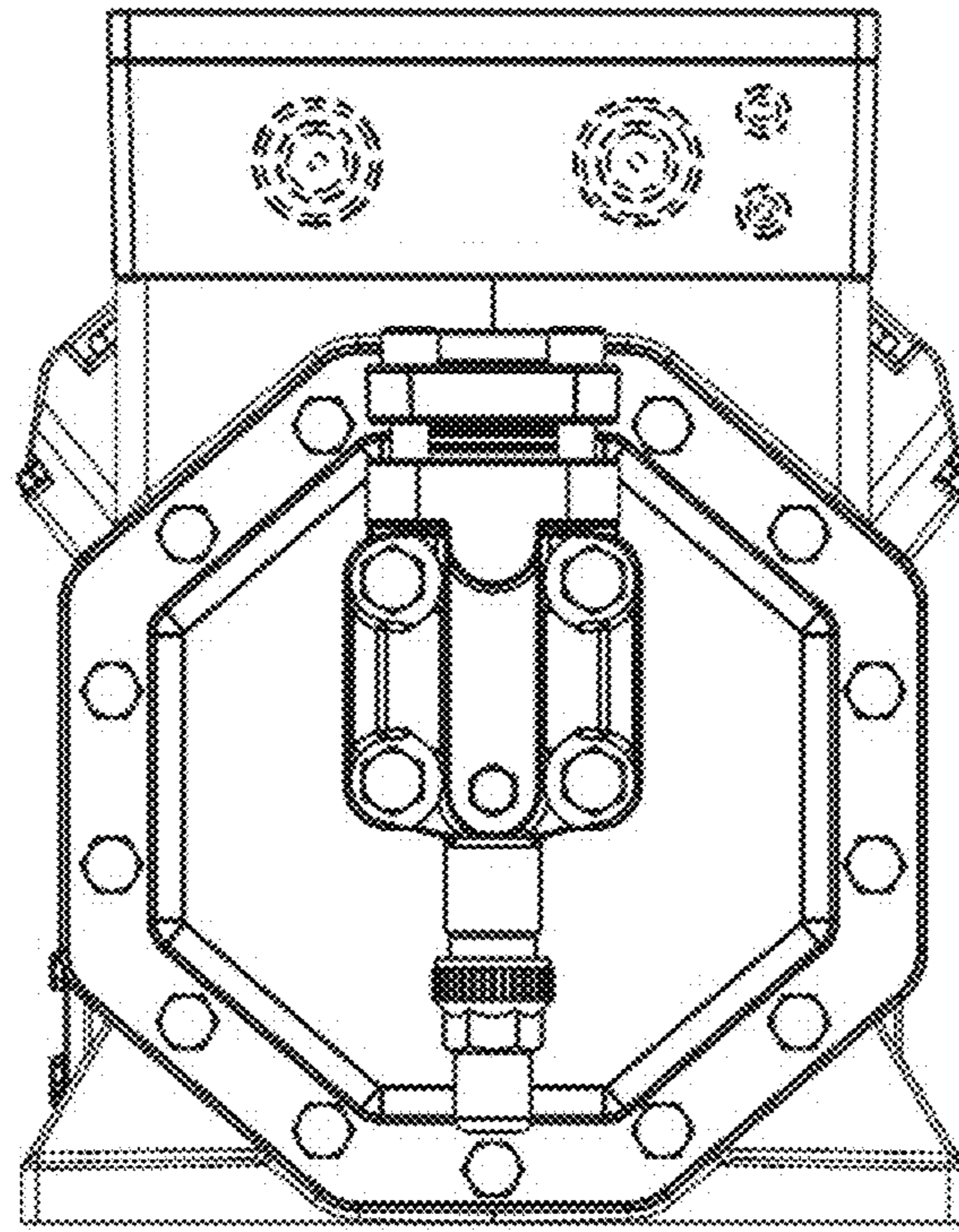


FIG. 2

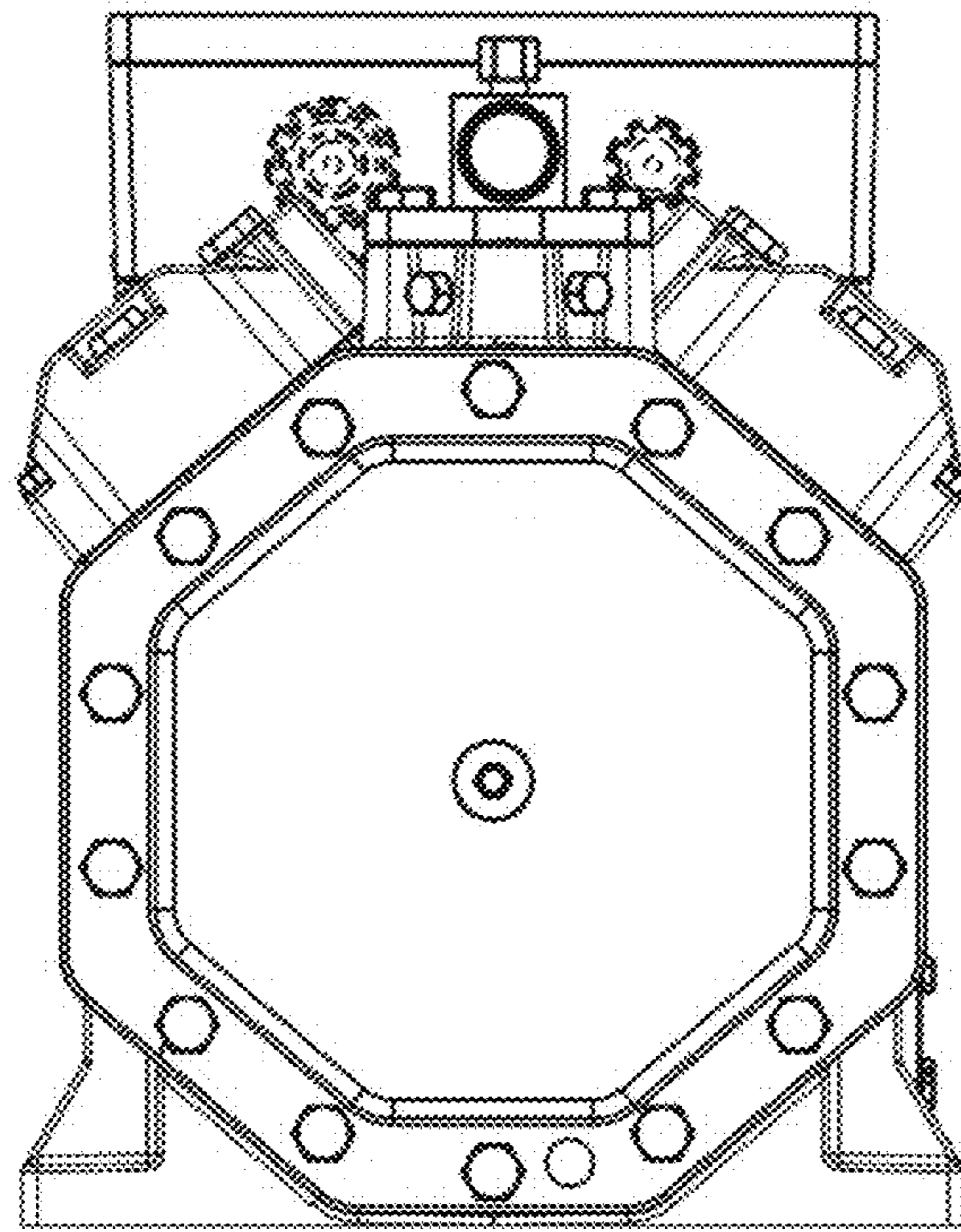


**FIG. 3**



**FIG. 4**





**FIG. 5**

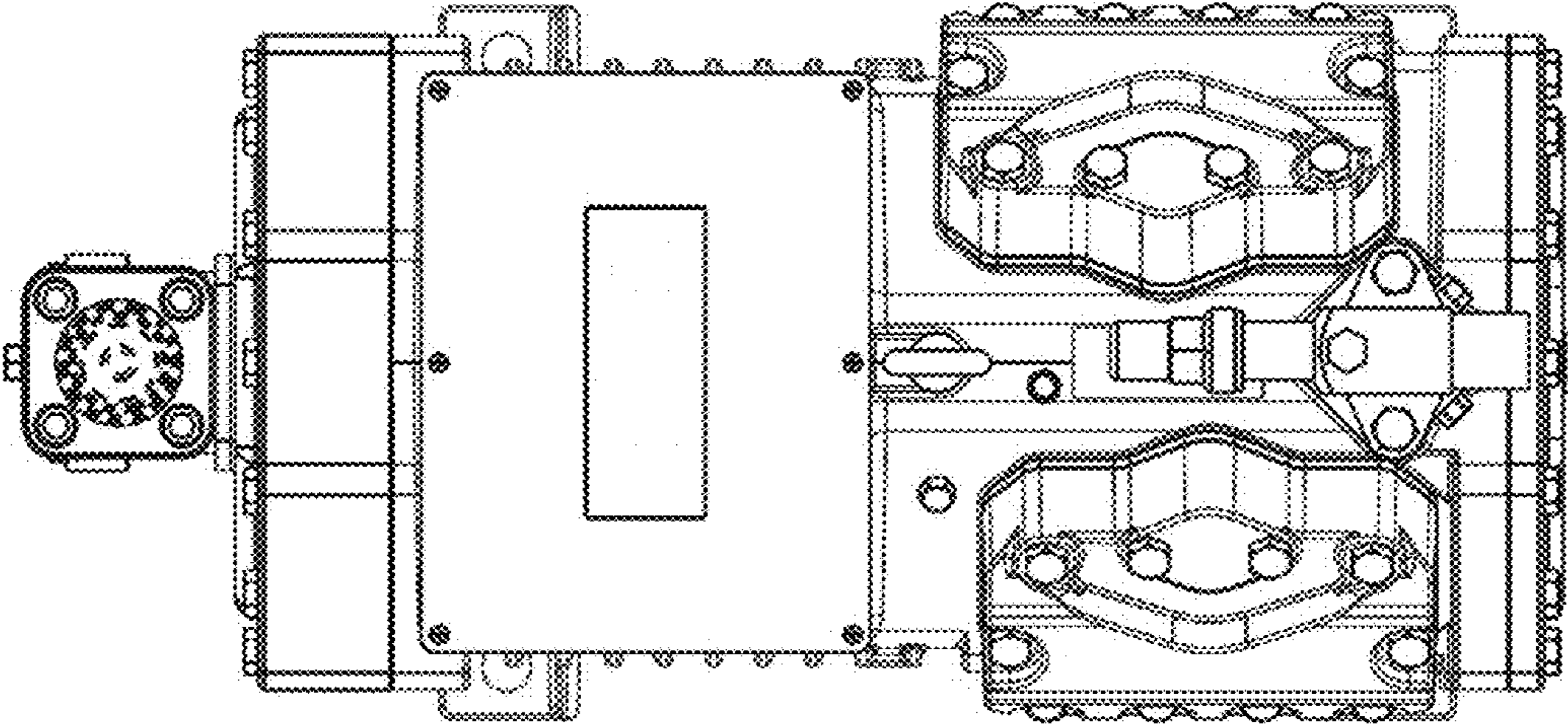


FIG. 6



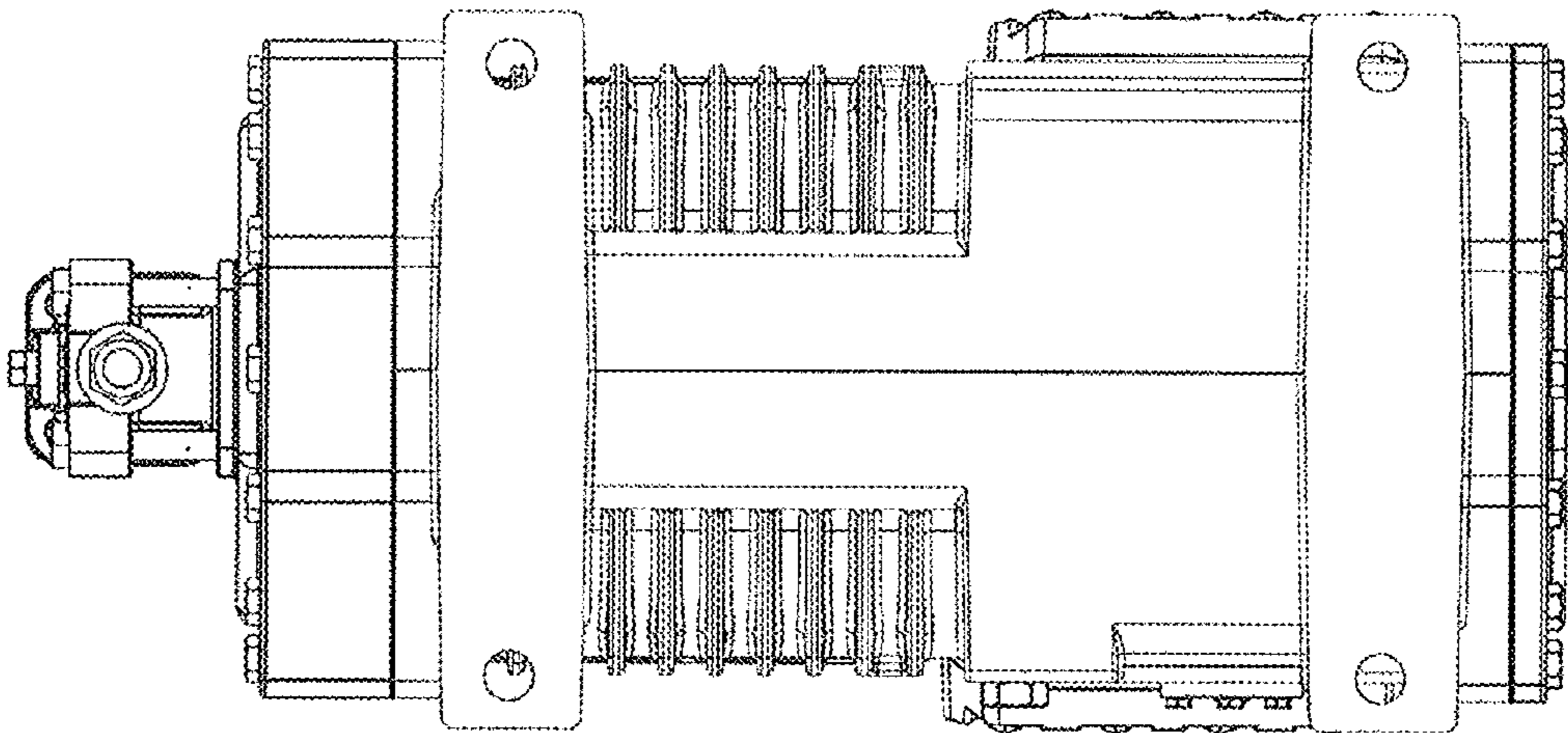


FIG. 7

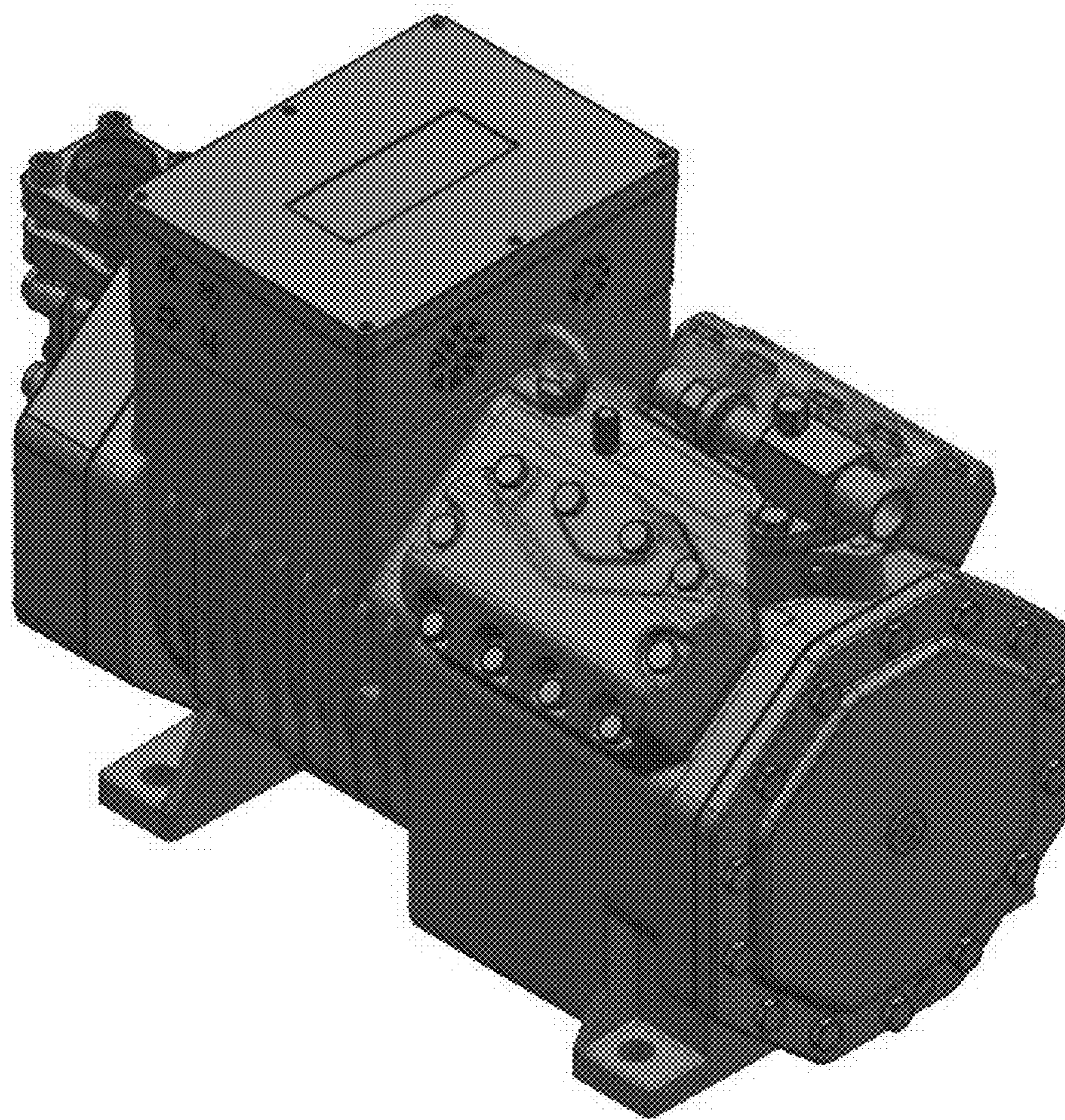
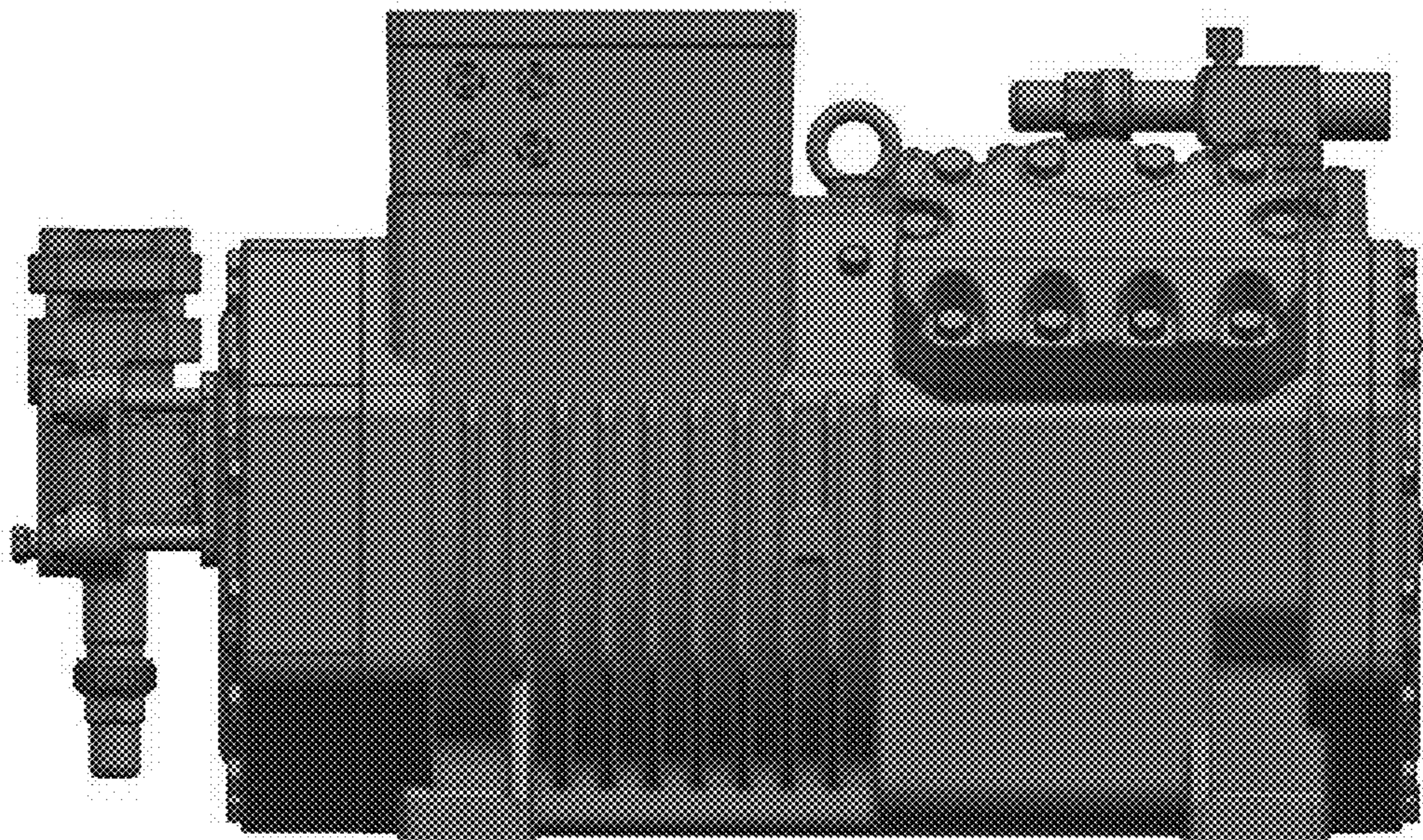


FIG. 8





**FIG. 9**



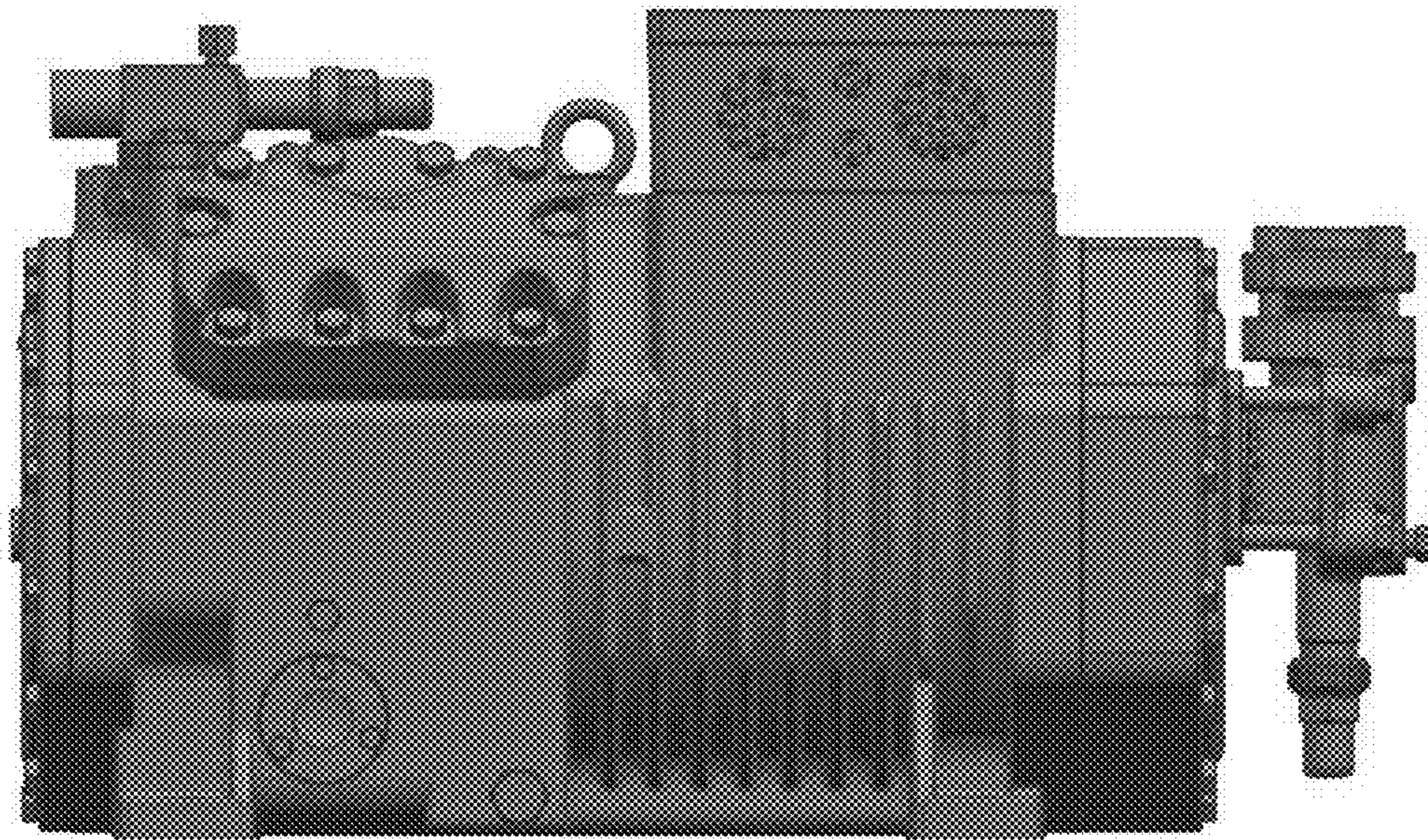
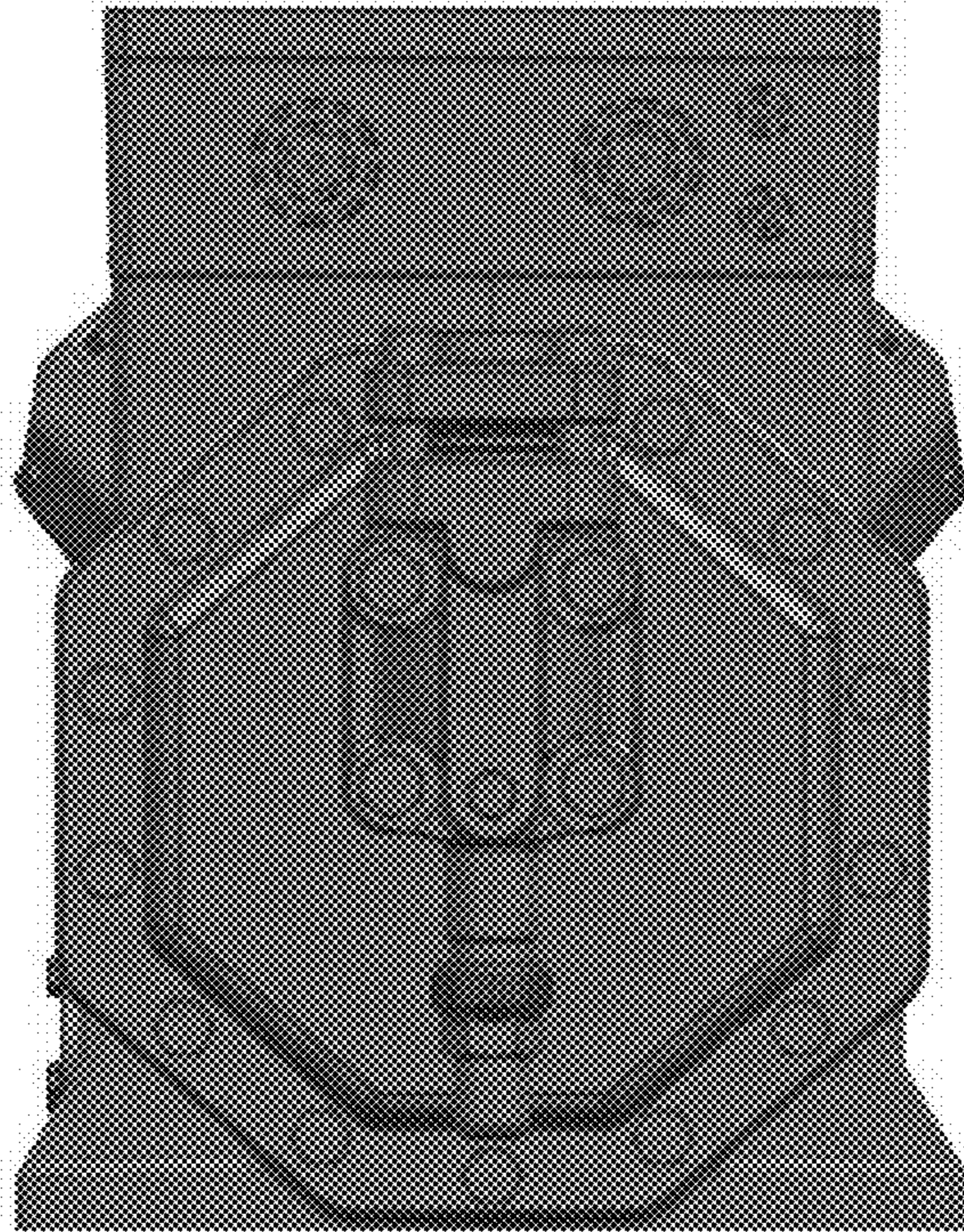
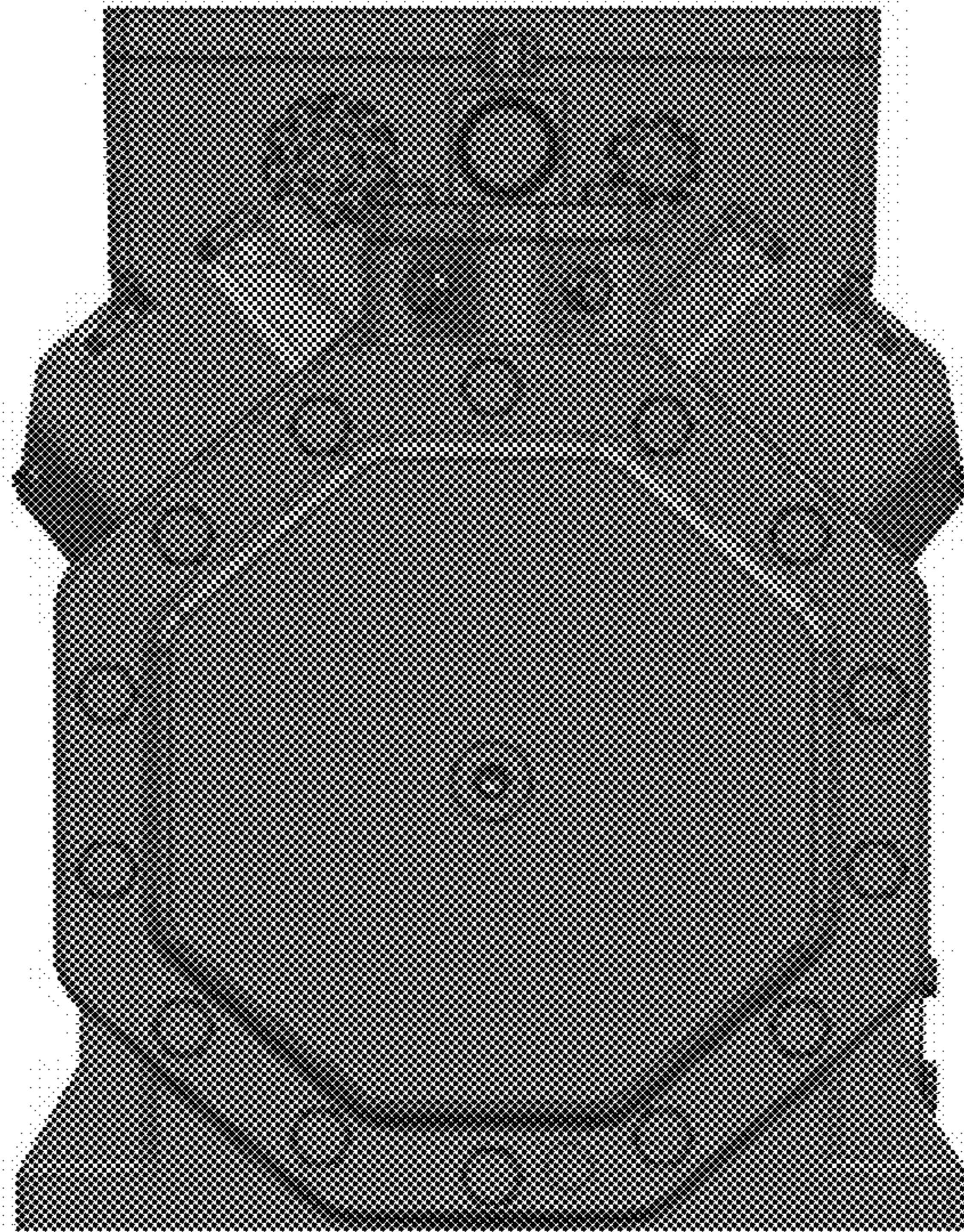


FIG. 10



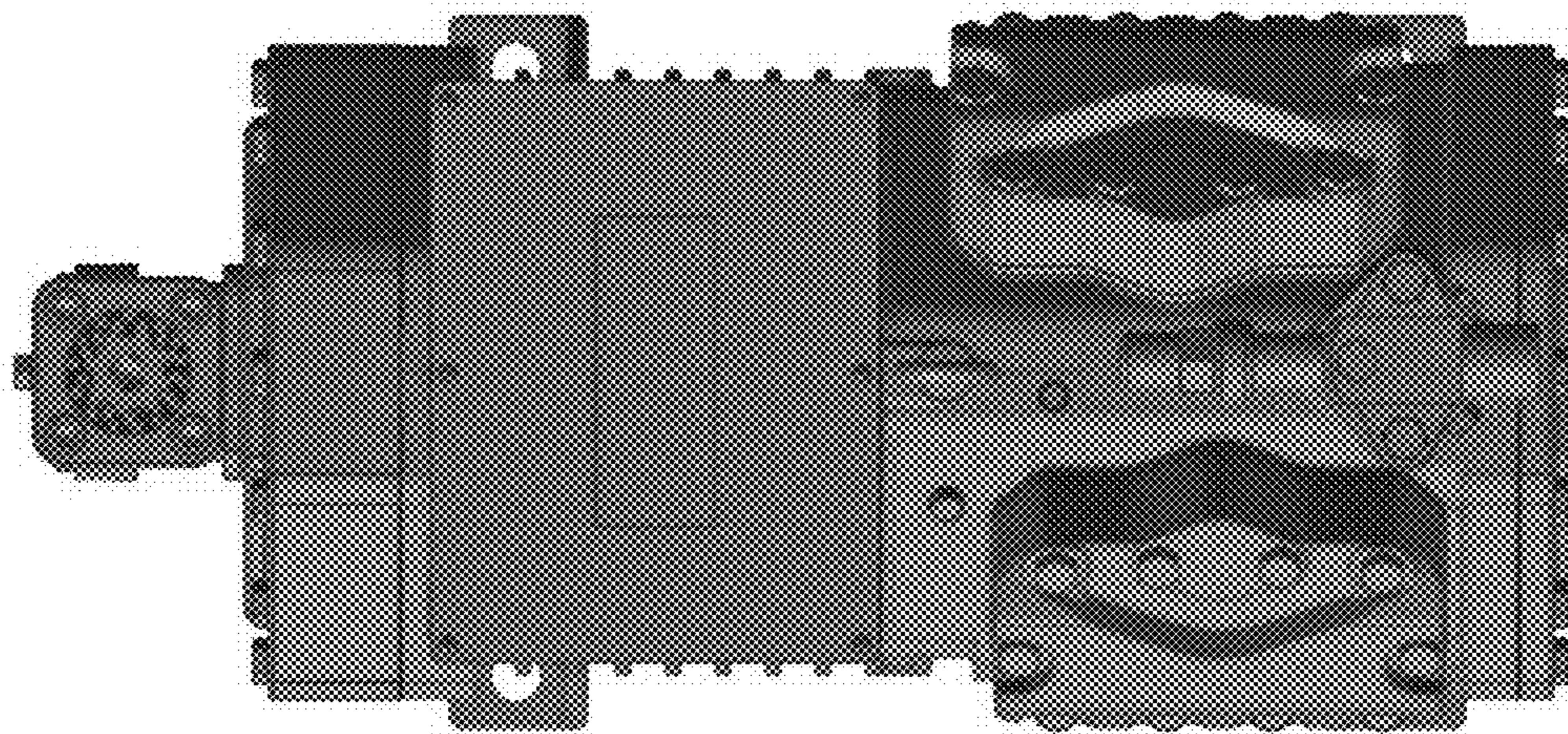


**FIG. 11**



**FIG. 12**





**FIG. 13**

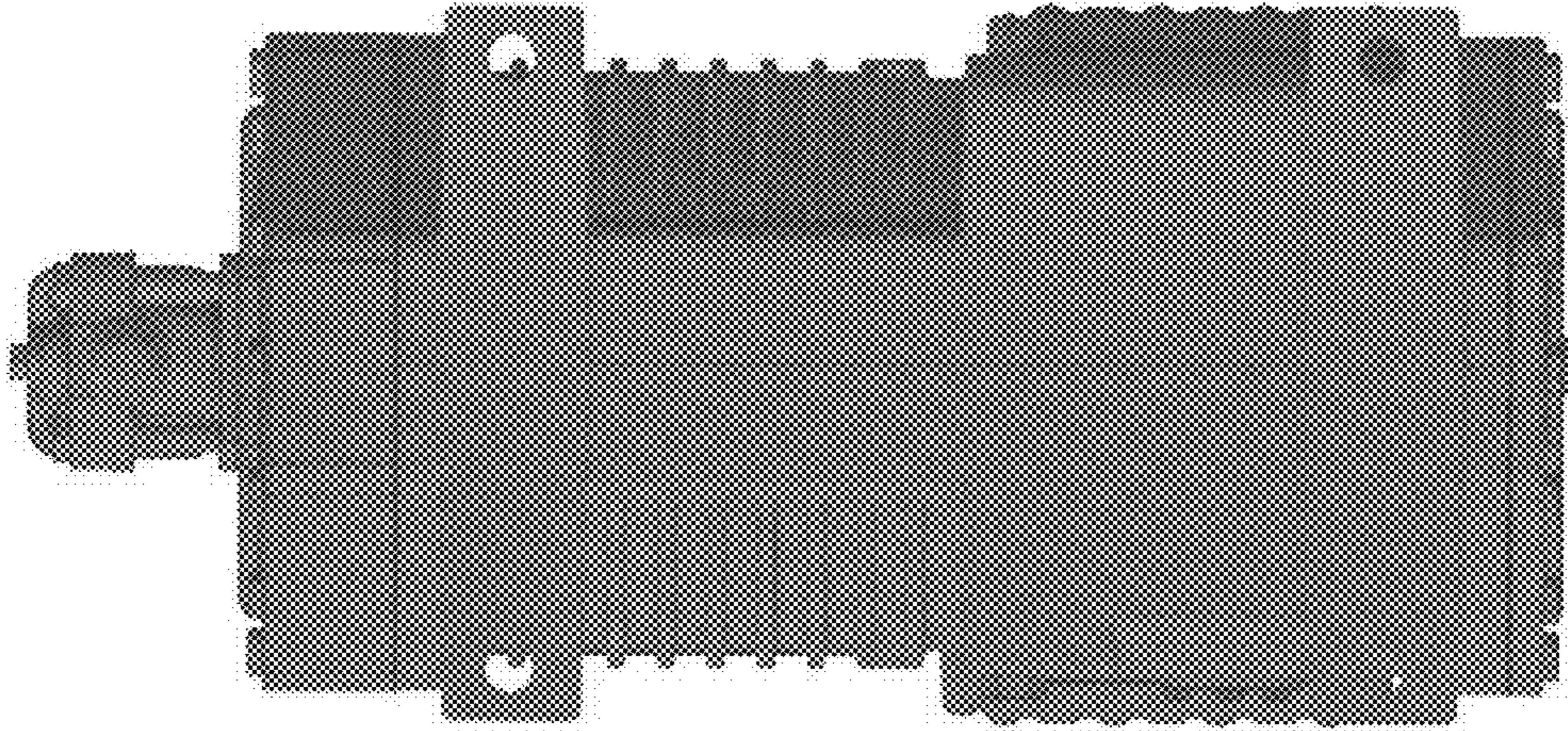


FIG. 14