



US00D745873S

(12) **United States Design Patent**  
**Xiang et al.**

(10) **Patent No.:** **US D745,873 S**

(45) **Date of Patent:** **\*\* Dec. 22, 2015**

(54) **MOUNTING ARM**

H02G 3/126; F16B 47/00; F16B 47/006;  
A47G 1/17; A47K 2201/00

(71) Applicant: **LOCTEK VISUAL TECHNOLOGY CORP.**, Ningbo (CN)

See application file for complete search history.

(72) Inventors: **Lehong Xiang**, Ningbo (CN); **Qiang Chen**, Ningbo (CN); **Guangrui Liu**, Ningbo (CN)

(56) **References Cited**

U.S. PATENT DOCUMENTS

(73) Assignee: **LOCTEK VISUAL TECHNOLOGY CORP.**, Ningbo (CN)

D435,852	S	*	1/2001	Oddsens, Jr.	.....	D14/452
D507,477	S	*	7/2005	Pfister	.....	D8/363
7,028,961	B1	*	4/2006	Dittmer et al.	.....	248/278.1
D520,017	S	*	5/2006	van Kuijk et al.	.....	D14/452
D559,662	S	*	1/2008	Sculler et al.	.....	D8/380
D636,765	S	*	4/2011	Molter et al.	.....	D14/239
D651,199	S	*	12/2011	Huang	.....	D14/239
D652,030	S	*	1/2012	Dolack	.....	D14/239

(\*\*) Term: **14 Years**

(Continued)

(21) Appl. No.: **29/509,106**

*Primary Examiner* — Deanna L Pratt

(22) Filed: **Nov. 13, 2014**

*Assistant Examiner* — Katie Mroczka

(30) **Foreign Application Priority Data**

Sep. 28, 2014 (CN) ..... 2014 3 0364497

(74) *Attorney, Agent, or Firm* — Chun-Ming Shih; HDLS IPR Services

(51) **LOC (10) Cl.** ..... **08-07**

(52) **U.S. Cl.**  
USPC ..... **D14/452**

(57) **CLAIM**

The ornamental design for a mounting arm, as shown and described.

(58) **Field of Classification Search**

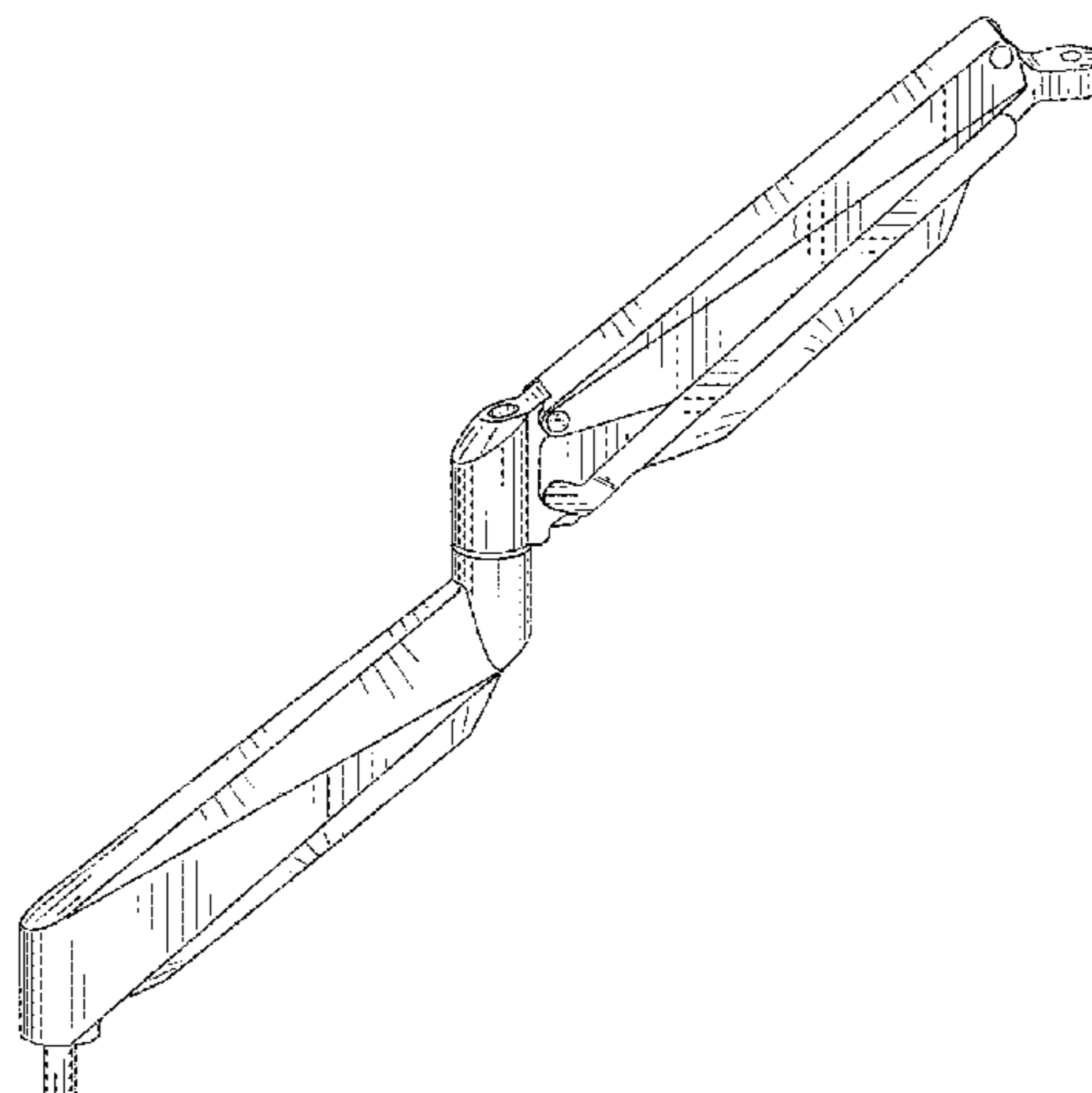
USPC ..... D14/371–382, 125–129, 336, 337,  
D14/447–452, 492, 335, 239, 457, 439–441,  
D14/432, 251–253; D8/349, 354, 363, 373,  
D8/376, 380; D21/333; D12/415; D3/218;  
348/180, 184, 325, 739, 825; 248/323,  
248/278.1, 286.1

**DESCRIPTION**

CPC ..... G06F 3/0412; G06F 3/016; G06F 3/0488;  
G06F 3/011; G06F 3/038; G06F 3/03543;  
G06F 3/0338; G06F 3/0202; G06F 3/0219;  
G06F 3/0213; G06F 1/1616; G06F 3/023;  
G06F 3/04883; G02F 1/13338; G02F 1/1313;  
G02F 1/1333; G02F 1/135; G02F 1/132;  
G02F 1/133308; G02F 1/134309; G02F  
1/13718; G09G 3/3648; G06K 15/1252;  
B41J 2/465; G03F 7/70291; G02B 27/0172;  
G02B 5/30; G02B 2027/0118; G02B 27/0101;  
F16M 13/02; F16M 13/00; F16M 11/04;  
F16M 2200/08; F16M 11/2021; A47B  
21/0314; A47B 88/044; A47B 2021/0335;

FIG. 1 is a perspective view of a mounting arm showing our new design;  
FIG. 2 is a front view thereof;  
FIG. 3 is a rear view thereof;  
FIG. 4 is a left side view thereof;  
FIG. 5 is a right side view thereof;  
FIG. 6 is a top view thereof;  
FIG. 7 is a bottom view thereof;  
FIG. 8 is a perspective view showing the mounting arm in use;  
and,  
FIG. 9 is another perspective view showing the mounting arm in use.  
The broken lines shown represent unclaimed subject matter and form no part of the claimed design.

**1 Claim, 7 Drawing Sheets**



# US D745,873 S

Page 2

---

(56)

## References Cited

### U.S. PATENT DOCUMENTS

				8,254,092	B2 *	8/2012	Russell et al.	.....	361/679.01
				8,469,323	B1 *	6/2013	Deros et al.	.....	248/278.1
				2013/0161465	A1 *	6/2013	Huang	.....	248/278.1
D660,843	S	*	5/2012	Kaluza	.....	D14/452			
D666,207	S	*	8/2012	Brandt	.....	D14/452			

\* cited by examiner

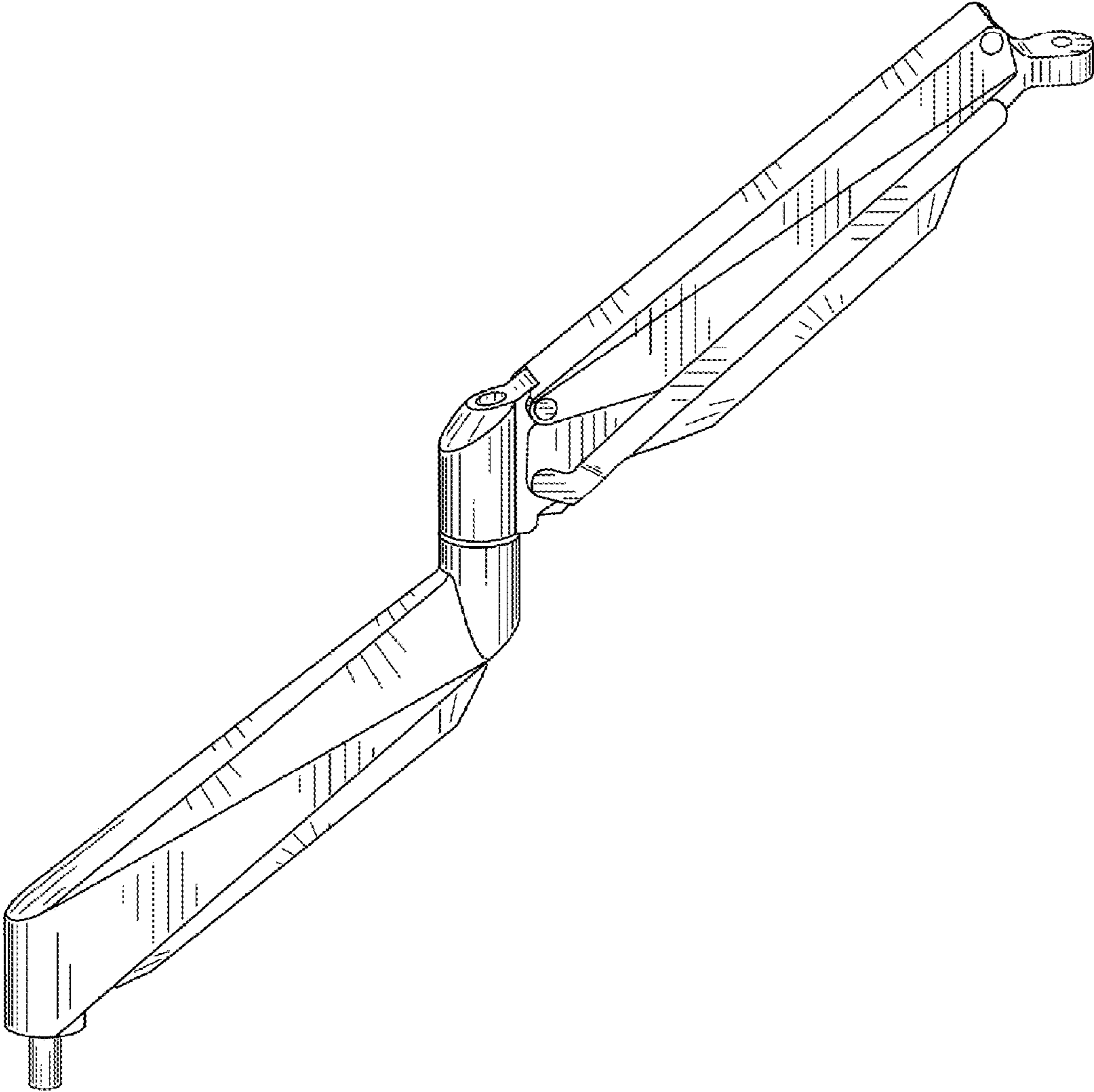


FIG. 1

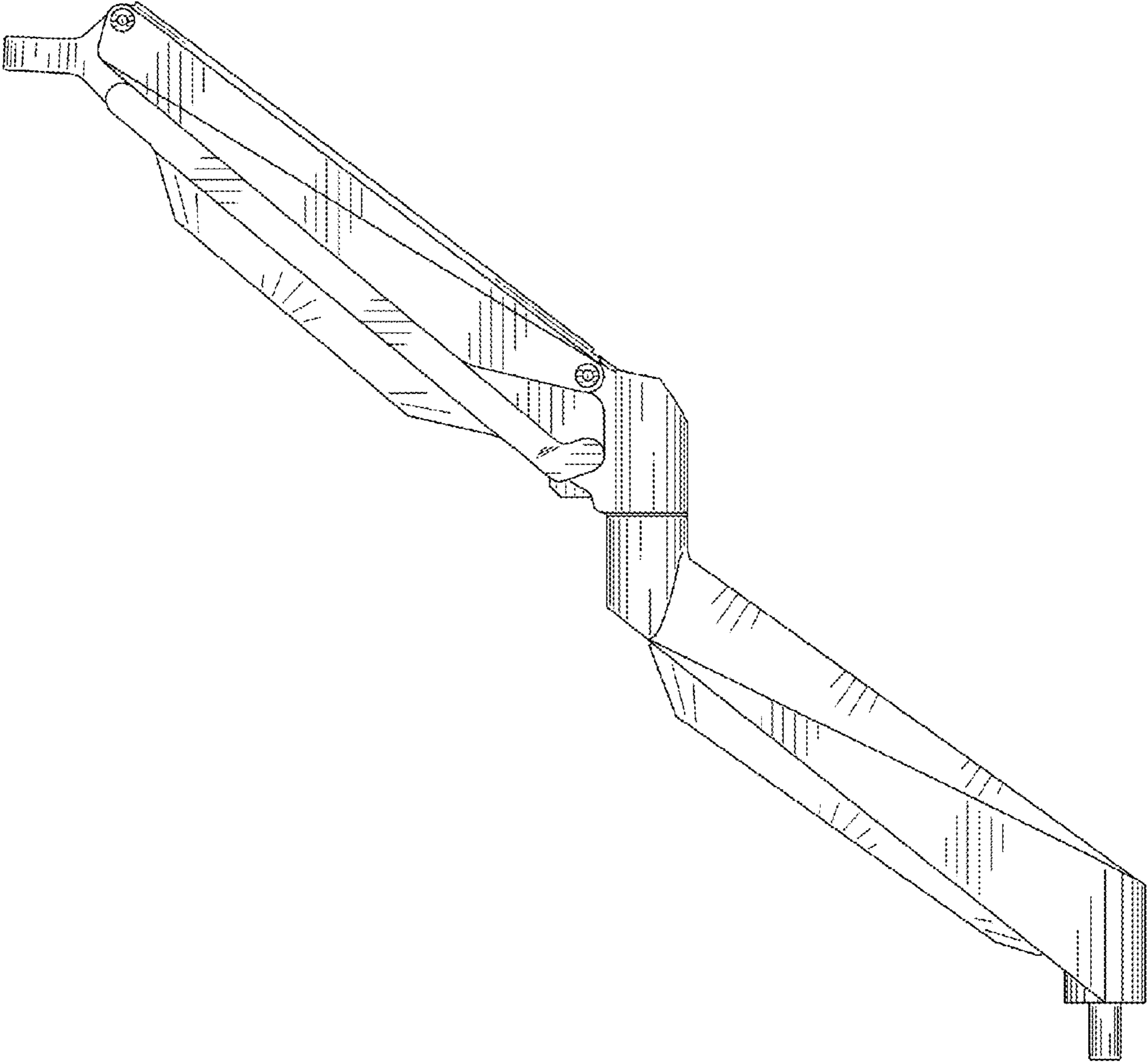


FIG.2

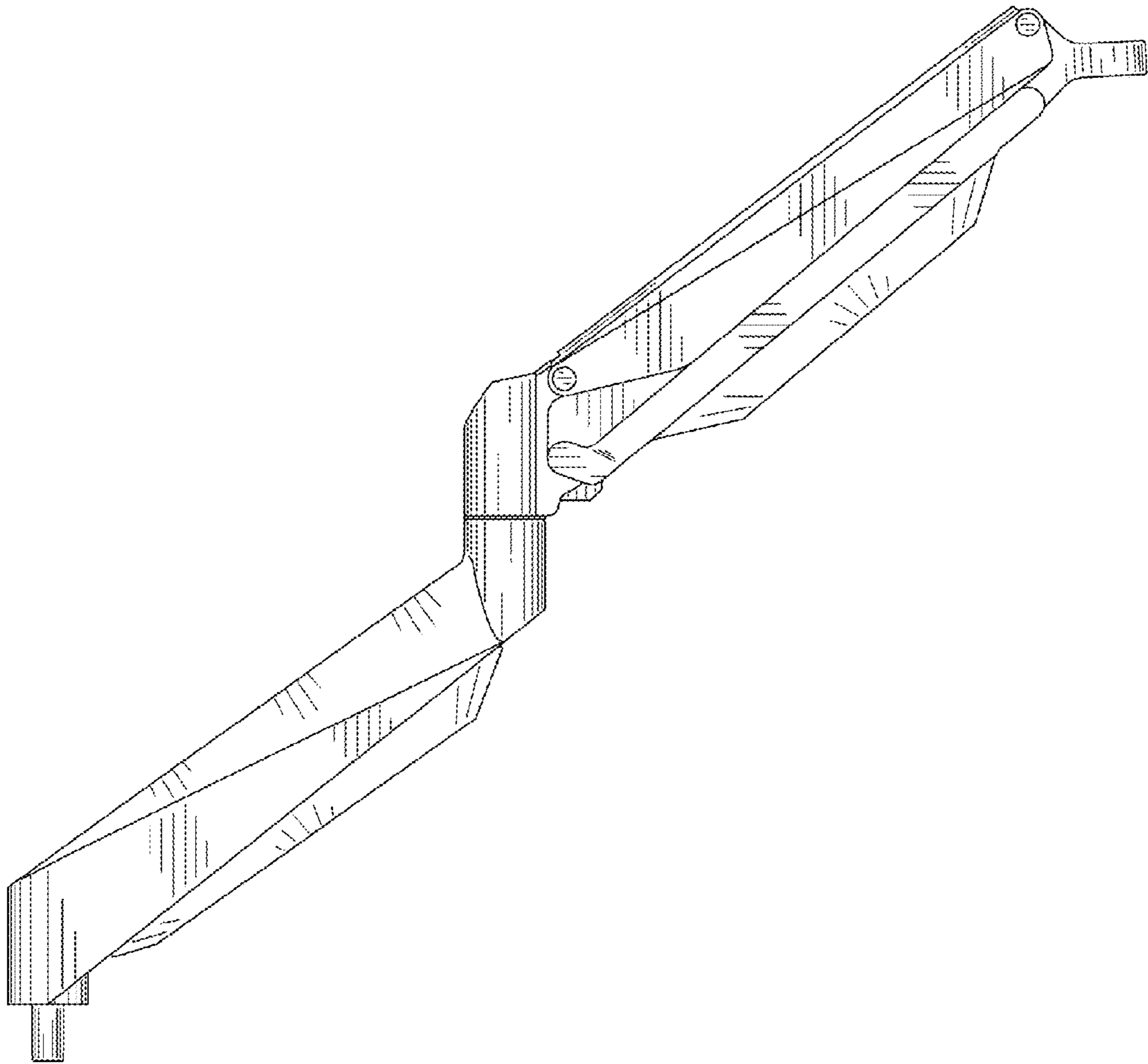


FIG.3

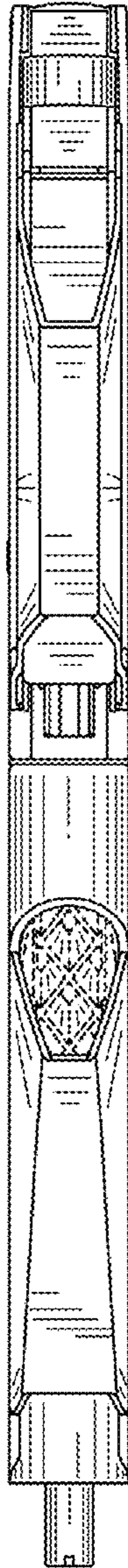


FIG. 4

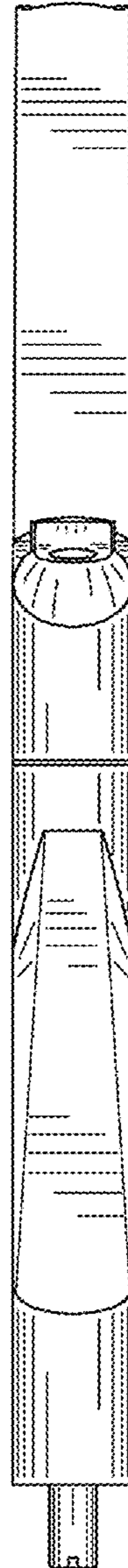


FIG. 5

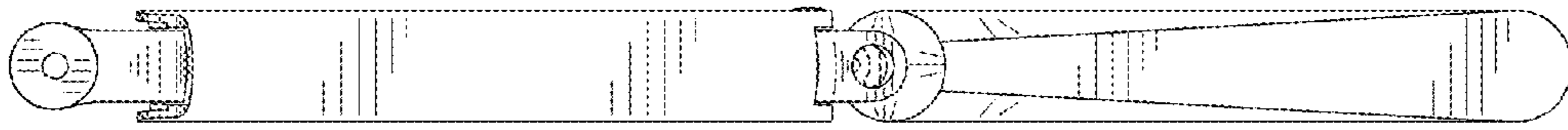


FIG. 6

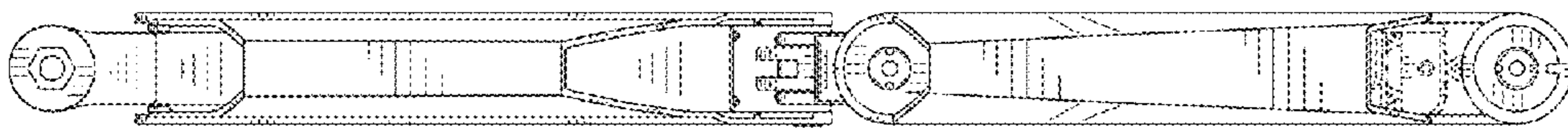


FIG. 7

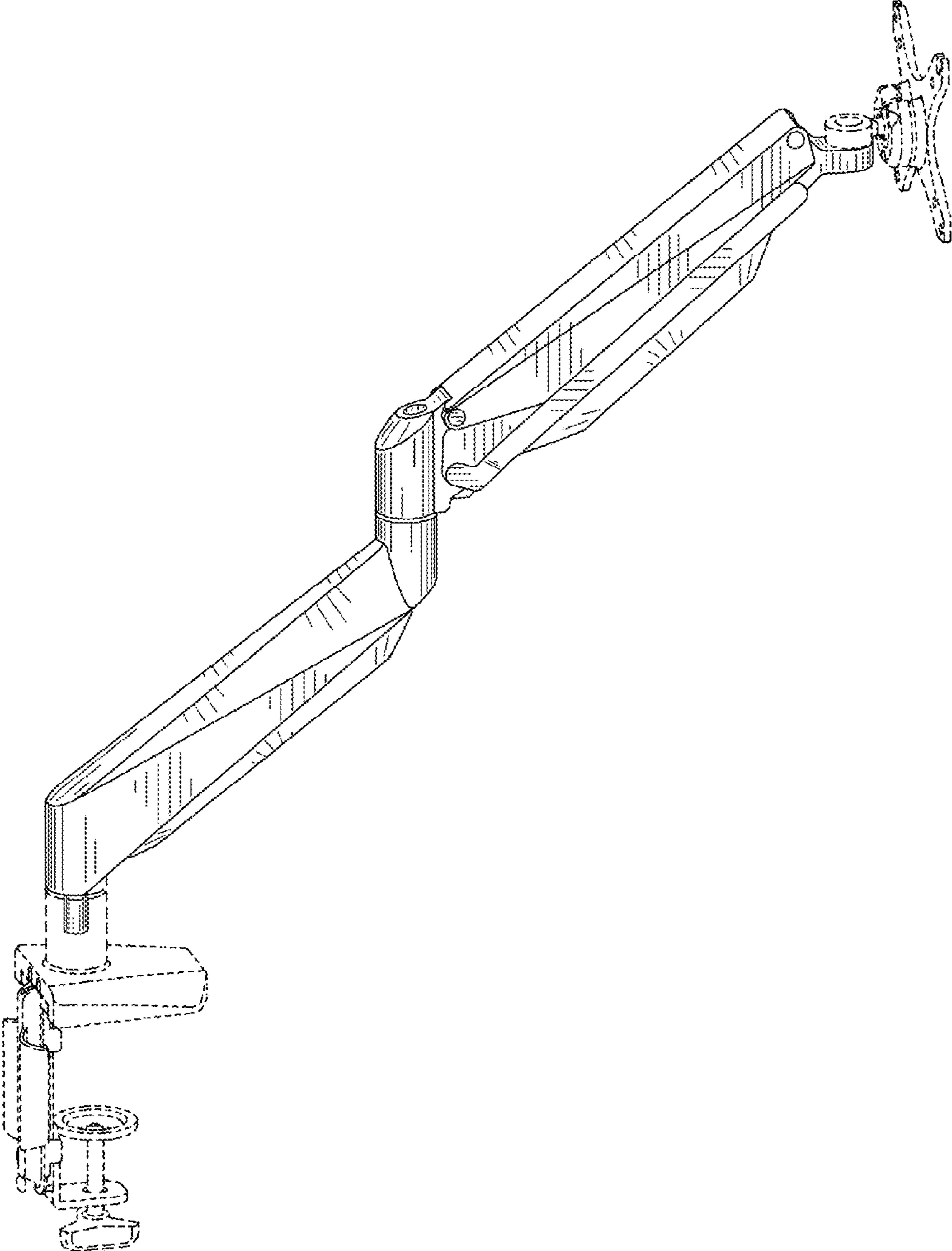


FIG.8



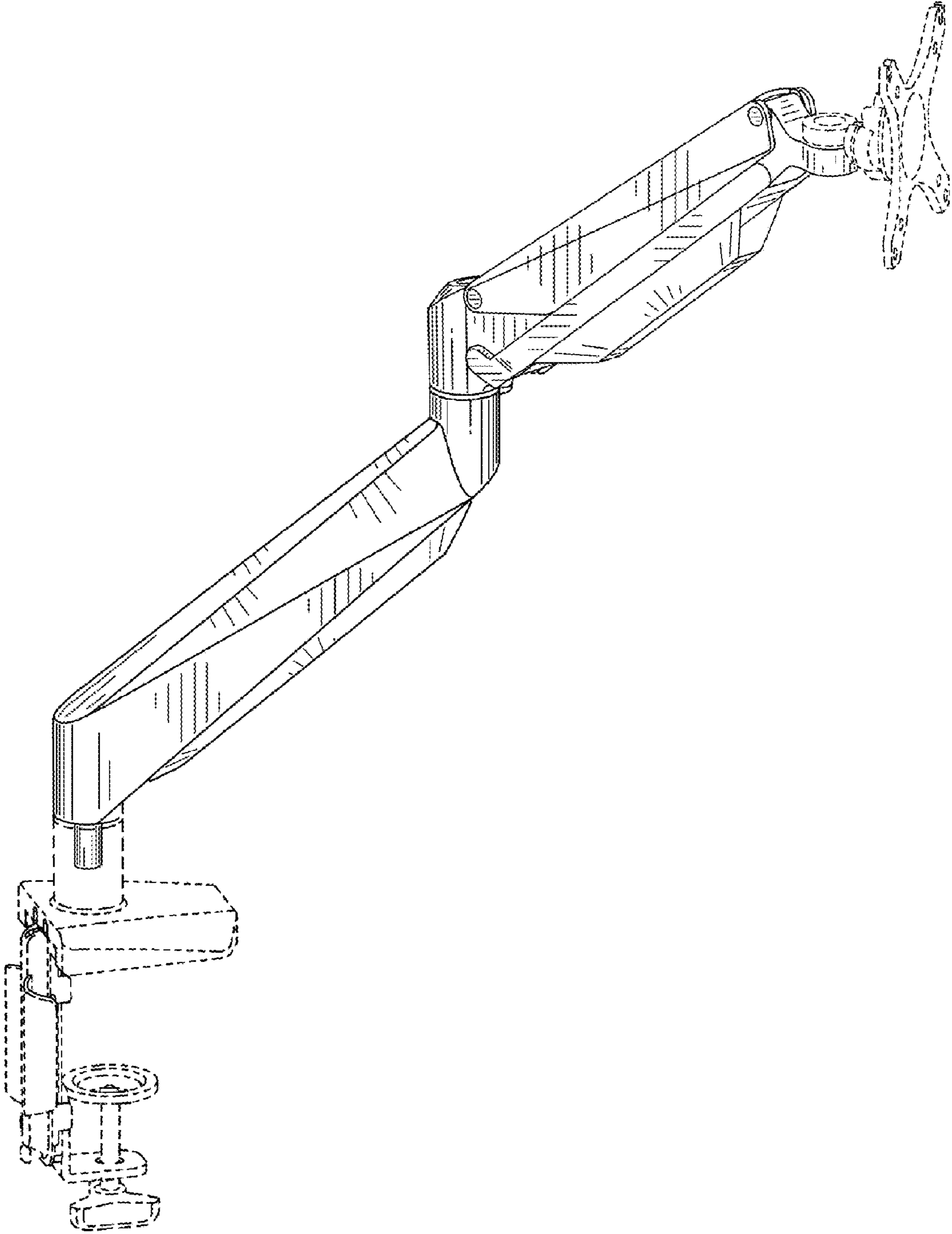


FIG.9