



US00D745871S

(12) **United States Design Patent**  
**Kim et al.**

(10) **Patent No.:** **US D745,871 S**  
(45) **Date of Patent:** **\*\* Dec. 22, 2015**

- (54) **IMAGING DEVICE**
- (71) Applicant: **Hewlett-Packard Development Company, L.P.**, Houston, TX (US)
- (72) Inventors: **Yu Ri Kim**, Singapore (SG); **Chung Chiet Edwin Chin**, Singapore (SG); **Shanthamallappa Kiran Kattesomanahalli**, Singapore (SG); **Nick Su**, Singapore (SG); **Yee Mei Cheng**, Singapore (SG); **Katherine Weilbacher**, Singapore (SG); **Qian Tao**, Singapore (SG); **Tee Kiang Phang**, Singapore (SG); **Wesley Chia**, Singapore (SG)
- (73) Assignee: **HEWLETT-PACKARD DEVELOPMENT COMPANY, L.P.**, Houston, TX (US)
- (\*\*) Term: **14 Years**
- (21) Appl. No.: **29/480,993**
- (22) Filed: **Jan. 31, 2014**
- (51) **LOC (10) Cl.** ..... **14-02**
- (52) **U.S. Cl.**  
USPC ..... **D14/421**; D18/50; D18/53
- (58) **Field of Classification Search**  
USPC ..... D14/421–425; D18/55, 49, 46, 40, D18/36–39, 41, 44, 45, 47, 48, 50–54, 56; 235/462, 455, 470, 462.43, 482, 483; 358/474, 486, 488, 496, 497, 498, 452, 358/449, 451, 453, 1.13; 318/685, 696; 355/81, 75; 399/405, 367, 379, 380; 382/217; 715/209, 222, 226, 274; 400/613, 613.1–613.4, 690.1–690.4, 400/691–694  
CPC ..... H04N 1/00; H04N 1/12; H04N 1/00013; H04N 1/00015; H04N 1/00018; H04N 1/00026; H04N 1/00557; H04N 1/00564; H04N 1/00567; H04N 1/0057; H04N 1/00572; H04N 1/00586; H04N 1/00588; H04N 1/00591; H04N 1/00594; H04N 1/00596; H04N 1/00604; H04N 1/00519; H04N 1/00559; H04N 1/101; H04N 1/10; H04N 1/00551; H04N 1/00278; H04N 2201/0456; H04N 2201/0446; H04N 2201/00; H04N

2201/0094; G03G 15/0142; G03G 15/605; G03G 15/602; B65H 5/26; B65H 5/30; B65H 5/36; B65H 7/00; B65H 2402/515; B65H 2402/31; B65H 2511/20; B65H 2511/414; B65H 2513/42; B65H 2801/31; B65H 2215/00189; B65H 2215/00194; B65H 2215/00198; B65H 2215/00202; B65H 2215/00206; B65H 2215/20; B65H 2301/00; B65H 2220/04; B65H 3/5261

See application file for complete search history.

(56) **References Cited**

U.S. PATENT DOCUMENTS

D189,895 S \* 3/1961 Benson ..... D18/36  
D216,016 S \* 11/1969 Lombard ..... D14/421

(Continued)

OTHER PUBLICATIONS

“HP Officejet 6700 Premium e-All-in-One review,” Mar. 28, 2012 (14 pages) [Retrieved on Feb. 5, 2014 via Internet at <http://www.pcadvisor.co.uk/reviews/printing/3347482/hp-officejet-6700-premium-e-all-in-one-review/>].

(Continued)

*Primary Examiner* — Susan Moon Lee

(74) *Attorney, Agent, or Firm* — Hanley Flight & Zimmerman, LLC

(57) **CLAIM**

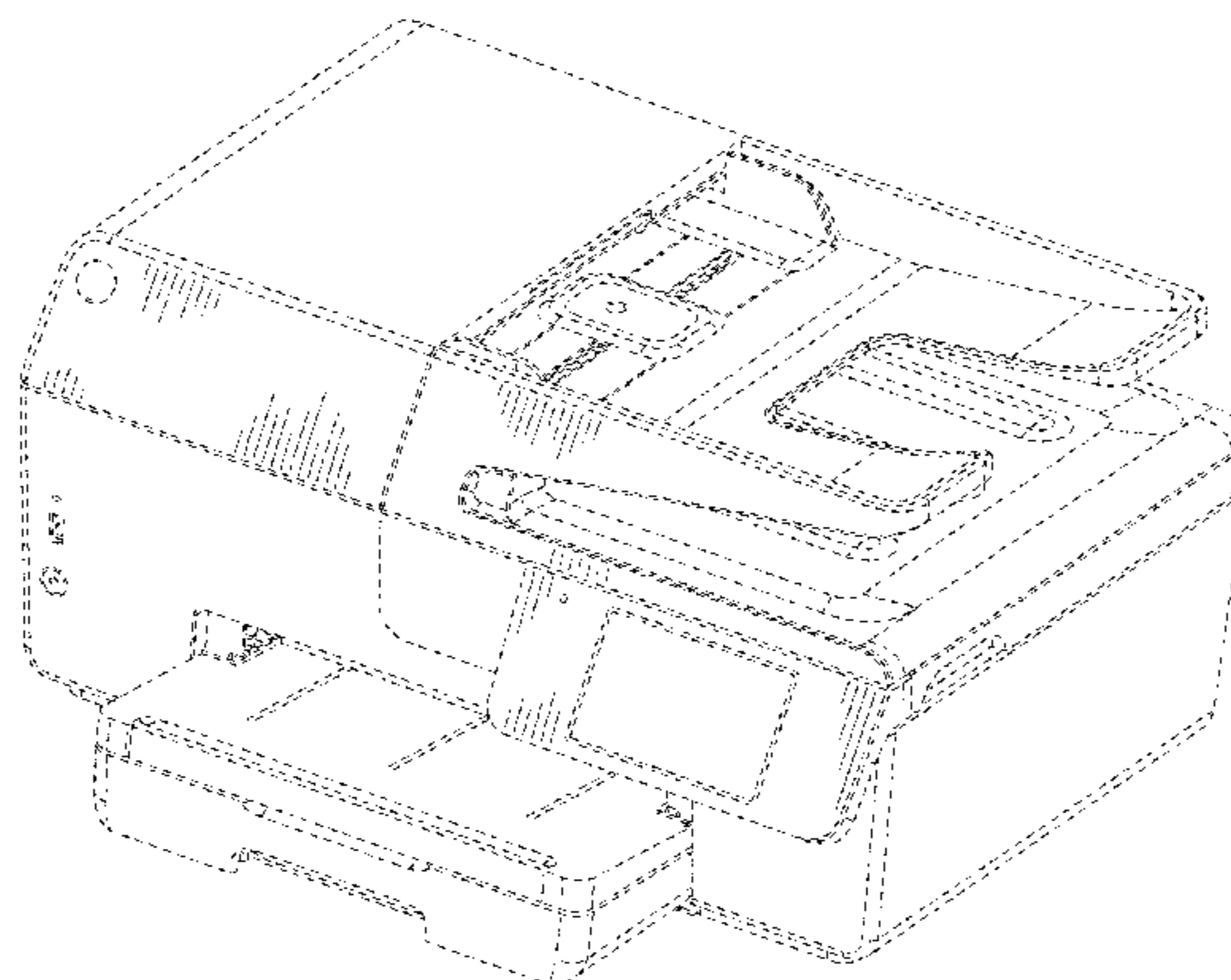
The ornamental design for an “imaging device,” as shown and described.

**DESCRIPTION**

FIG. 1 is a front right perspective view of an imaging device. FIG. 2 is a front view of the imaging device of FIG. 1. FIG. 3 is a rear view of the imaging device of FIG. 1. FIG. 4 is a left side view of the imaging device of FIG. 1. FIG. 5 is a right side view of the imaging device of FIG. 1. FIG. 6 is a top view of the imaging device of FIG. 1. FIG. 7 is a bottom view of the imaging device of FIG. 1; and, FIG. 8 is a front left perspective view of the imaging device of FIG. 1.

Broken lines and entirely unshaded portions contained within broken lines are not claimed.

**1 Claim, 8 Drawing Sheets**





(56)

## References Cited

## U.S. PATENT DOCUMENTS

D271,975 S *	12/1983	Steinbugler	D18/53	D532,041 S *	11/2006	Ishigami et al.	D18/50
D290,610 S *	6/1987	Manning et al.	D18/53	D532,043 S *	11/2006	Park et al.	D18/50
D317,459 S *	6/1991	Ono	D18/54	D532,449 S *	11/2006	Tjin Wong Joe et al.	
D319,655 S *	9/1991	Tokuda et al.	D18/54	D533,218 S *	12/2006	Gant et al.	
D319,656 S *	9/1991	Tashiro et al.	D18/54	D533,584 S *	12/2006	Katayama et al.	D18/50
D320,226 S *	9/1991	Hermann et al.	D18/50	D534,206 S *	12/2006	Tomono et al.	D18/39
D320,406 S *	10/1991	Tokuda	D18/54	D534,947 S *	1/2007	Gant et al.	
D321,714 S *	11/1991	Frenkler et al.	D18/54	D536,731 S *	2/2007	Tate et al.	D18/50
D322,274 S *	12/1991	Tokuda et al.	D18/54	D537,866 S *	3/2007	Matsuda et al.	D18/39
D322,276 S *	12/1991	Paque	D18/54	D538,330 S *	3/2007	Hatanaka et al.	D18/39
D324,066 S *	2/1992	Kusenbergl	D18/54	D539,283 S *	3/2007	McIntyre	
D326,867 S *	6/1992	Kwak	D18/55	D539,840 S *	4/2007	Whittall et al.	D18/50
D331,069 S *	11/1992	Hanasaki et al.	D18/55	D544,530 S *	6/2007	Omuro et al.	D18/50
D331,401 S *	12/1992	Takeuchi	D14/462	D544,906 S *	6/2007	Alfonso et al.	D18/55
D332,091 S *	12/1992	Iino	D14/434	D545,356 S *	6/2007	Hoshiya et al.	D18/50
D334,586 S *	4/1993	Imai et al.	D18/54	D547,369 S *	7/2007	Senda et al.	D18/50
D335,894 S *	5/1993	Nishikaze et al.	D18/55	D550,279 S *	9/2007	Tani	D18/50
D340,259 S *	10/1993	Etou et al.	D18/55	D552,169 S *	10/2007	Egami et al.	D18/50
D343,191 S *	1/1994	Kobayashi	D18/55	D554,697 S *	11/2007	Leman et al.	D18/50
D343,192 S *	1/1994	Hirose	D18/55	D556,255 S *	11/2007	Matsumoto	D18/50
D343,408 S *	1/1994	Hermann	D18/50	D557,737 S *	12/2007	Falk et al.	D18/53
D343,412 S *	1/1994	Nakazato et al.	D18/54	D557,738 S *	12/2007	Falk	D18/53
D344,974 S *	3/1994	Clark et al.	D18/54	D558,263 S *	12/2007	Yamaguchi	D18/50
D350,150 S *	8/1994	Weitkamp	D18/50	D559,900 S *	1/2008	Kimura et al.	D18/50
D350,978 S *	9/1994	Minakawa	D18/50	D561,248 S *	2/2008	Lee et al.	D18/50
D351,189 S *	10/1994	Yamaguchi et al.	D18/55	D561,251 S *	2/2008	Tjin Wong Joe et al.	
D359,506 S *	6/1995	Lee	D18/55	D561,822 S *	2/2008	Tatara et al.	D18/50
D363,735 S *	10/1995	Karafuji et al.	D18/53	D562,379 S *	2/2008	Tatara et al.	D18/50
D364,419 S *	11/1995	Morse et al.	D18/53	D562,380 S *	2/2008	Kato et al.	D18/50
D371,157 S *	6/1996	Chambers	D18/50	D565,650 S *	4/2008	Tani	D18/50
D376,615 S *	12/1996	Dubson	D18/50	D566,755 S *	4/2008	Gant et al.	
D377,369 S *	1/1997	Kogoh et al.	D18/53	D567,848 S *	4/2008	Kawamura et al.	D18/39
D378,218 S *	2/1997	Hong et al.	D18/55	D568,387 S *	5/2008	Watanabe et al.	D18/39
D378,378 S *	3/1997	Nakazawa et al.	D18/54	D573,145 S *	7/2008	Laidlaw et al.	D14/421
D378,926 S *	4/1997	Dubson	D18/50	D573,178 S *	7/2008	Lee et al.	D18/50
D379,363 S *	5/1997	Nelson et al.	D16/247	D573,179 S *	7/2008	Bae et al.	D18/50
D405,821 S *	2/1999	Ishikawa	D18/53	D573,632 S *	7/2008	Iwai	D18/50
D407,741 S *	4/1999	Kusanagi	D18/55	D573,633 S *	7/2008	Laidlaw et al.	D18/55
D416,572 S *	11/1999	Ishida et al.	D18/53	D576,203 S *	9/2008	Laidlaw et al.	
D425,551 S *	5/2000	Shiozaki et al.	D18/53	D577,763 S *	9/2008	Hidaka et al.	D18/39
D428,049 S *	7/2000	Imai	D18/36	D578,568 S *	10/2008	Chiba et al.	D18/50
D431,261 S *	9/2000	Haas et al.	D18/50	D580,483 S *	11/2008	Park et al.	D18/39
D443,635 S *	6/2001	Ogawa et al.	D18/39	D581,976 S *	12/2008	Park et al.	D18/55
D443,889 S *	6/2001	Yamano et al.	D18/50	D584,344 S *	1/2009	Lee et al.	D18/43
D446,544 S *	8/2001	Platner et al.	D18/50	D584,348 S *	1/2009	Boo et al.	D18/55
D450,751 S *	11/2001	Shiozaki	D18/39	D584,349 S *	1/2009	Tani	D18/55
D456,445 S *	4/2002	Kusanagi	D18/55	D586,385 S *	2/2009	Kim et al.	D18/55
D462,086 S *	8/2002	Falk et al.	D18/55	D590,013 S *	4/2009	Miticocchio et al.	D18/50
D463,484 S *	9/2002	Kemmochi	D18/50	D591,302 S *	4/2009	Yagi et al.	D14/421
D465,236 S *	11/2002	Fukasawa et al.	D18/50	D593,149 S *	5/2009	Park et al.	D18/55
D465,801 S *	11/2002	Falk et al.	D18/39	D594,508 S *	6/2009	Joe et al.	
D470,884 S *	2/2003	Gotham et al.	D18/55	D595,347 S *	6/2009	Tjin Wong Joe et al.	
D475,083 S *	5/2003	Kusanagi	D18/50	D596,226 S *	7/2009	Yamaguchi	D18/55
D480,417 S *	10/2003	Nakayama et al.	D18/53	D599,398 S *	9/2009	Laidlaw et al.	D18/53
D482,386 S *	11/2003	Hattori	D18/50	D601,185 S *	9/2009	Kim et al.	D18/50
D482,719 S *	11/2003	Hattori	D18/50	D601,186 S *	9/2009	Kim et al.	D18/55
D483,401 S *	12/2003	LaBarbera	D18/53	D603,894 S *	11/2009	Yamano et al.	D18/55
D483,801 S *	12/2003	Hattori	D18/50	D607,502 S *	1/2010	Lee et al.	D18/50
D486,852 S *	2/2004	Shiozaki	D18/53	D607,506 S *	1/2010	Kim et al.	D18/55
D491,980 S *	6/2004	Miyauchi et al.	D18/50	D607,925 S *	1/2010	Morrison et al.	D18/50
D502,210 S *	2/2005	Katori et al.	D18/39	D607,927 S *	1/2010	Kim et al.	D18/55
D502,212 S *	2/2005	Ishigami	D18/50	D607,928 S *	1/2010	Kim et al.	D18/55
6,923,586 B2 *	8/2005	Yoshihara	400/692	D608,823 S *	1/2010	Tomono	D18/55
D516,081 S *	2/2006	Takimoto	D14/463	D609,741 S *	2/2010	Tani	D18/55
D516,119 S *	2/2006	Kimura et al.	D18/50	D611,091 S *	3/2010	Ishikawa et al.	D18/55
D518,514 S *	4/2006	Hoshiya et al.	D18/55	D617,374 S *	6/2010	Sasaki et al.	D18/50
D521,061 S *	5/2006	Katayama et al.	D18/55	D619,165 S *	7/2010	Sakurai	D18/53
D524,362 S *	7/2006	Kelsay et al.		D621,441 S *	8/2010	Kim	D18/39
D526,351 S *	8/2006	Yamamoto et al.	D18/55	D622,272 S *	8/2010	Machida et al.	D14/421
D527,414 S *	8/2006	Miyauchi et al.	D18/50	D622,307 S *	8/2010	Brown et al.	D18/39
D528,151 S *	9/2006	Hattori	D18/50	D622,761 S *	8/2010	Kim et al.	D18/53
D528,154 S *	9/2006	Hattori		D623,221 S *	9/2010	Yonekawa et al.	D18/55
D530,361 S *	10/2006	Chambers	D18/50	D623,685 S *	9/2010	Tsukuda et al.	D18/53
D530,737 S *	10/2006	Lim et al.	D18/50	D624,956 S *	10/2010	Park et al.	D18/39
D531,663 S *	11/2006	Senda et al.	D18/55	D624,957 S *	10/2010	Park et al.	D18/39
				D626,588 S *	11/2010	Kim et al.	D18/39
				D632,732 S *	2/2011	Park et al.	D18/50
				D633,139 S *	2/2011	Park et al.	D18/55
				D633,556 S *	3/2011	Park et al.	D18/55



(56)

## References Cited

## U.S. PATENT DOCUMENTS

- D634,359 S \* 3/2011 Park et al. .... D18/55  
D639,848 S \* 6/2011 Sato et al. .... D18/50  
D639,850 S \* 6/2011 Iwai et al. .... D18/50  
D641,038 S \* 7/2011 Park et al. .... D18/55  
D641,393 S \* 7/2011 Kim et al. .... D18/14  
D641,395 S \* 7/2011 Park et al. .... D18/55  
D641,396 S \* 7/2011 Park et al. .... D18/55  
D641,397 S \* 7/2011 Kim et al. .... D18/55  
D641,398 S \* 7/2011 Kim et al. .... D18/55  
D641,778 S \* 7/2011 Lee et al. .... D18/55  
D642,212 S \* 7/2011 Terenzio et al. .... D18/55  
D643,464 S \* 8/2011 Sato et al. .... D18/55  
D643,874 S \* 8/2011 Kim et al. .... D18/55  
D643,875 S \* 8/2011 Suzuki et al. .... D18/55  
D645,078 S \* 9/2011 Kim et al. .... D18/50  
D645,502 S \* 9/2011 Amemiya et al. .... D18/55  
D645,897 S \* 9/2011 Chuang et al. .... D18/50  
D647,130 S \* 10/2011 Kim et al. .... D18/50  
D647,131 S \* 10/2011 Park et al. .... D18/55  
D647,132 S \* 10/2011 Kim et al. .... D18/55  
D647,133 S \* 10/2011 Sato et al. .... D18/55  
D647,958 S \* 11/2011 Yoshioka et al. .... D18/50  
D648,376 S \* 11/2011 Asano et al. .... D18/50  
D649,183 S \* 11/2011 Miyauchi et al. .... D18/50  
D650,834 S \* 12/2011 Brown et al. .... D18/39  
D652,445 S \* 1/2012 Burton et al. .... D18/50  
8,089,666 B2 \* 1/2012 Andoh et al. .... 358/498  
D660,350 S \* 5/2012 Falk et al. .... D18/53  
D660,351 S \* 5/2012 Larson et al. .... D18/55  
D661,345 S \* 6/2012 Asano et al. .... D18/50  
D661,346 S \* 6/2012 Suzuki et al. .... D18/55  
D664,190 S \* 7/2012 Matsuda et al. .... D18/39  
D664,192 S \* 7/2012 Emmenegger et al. .... D18/50  
D664,193 S \* 7/2012 Larson et al. .... D18/55  
D665,012 S \* 8/2012 Saito et al. .... D18/39  
D665,445 S \* 8/2012 Emmenegger et al. .... D18/50  
D665,840 S \* 8/2012 Tani .... D18/50  
D667,017 S \* 9/2012 Tani .... D14/463  
D667,486 S \* 9/2012 Inoue et al. .... D18/50  
D667,489 S \* 9/2012 Inoue et al. .... D18/55  
D667,490 S \* 9/2012 Inoue et al. .... D18/55  
D669,526 S \* 10/2012 Sakurai .... D18/50  
D670,326 S \* 11/2012 Yoshida .... D18/55  
D670,328 S \* 11/2012 Suzuki et al. .... D18/55  
D671,593 S \* 11/2012 Kinoshita et al. .... D18/55  
D672,387 S \* 12/2012 Kim et al. .... D18/50  
D672,388 S \* 12/2012 Kim et al. .... D18/50  
D673,213 S \* 12/2012 Kim et al. .... D18/55  
D674,008 S \* 1/2013 Miller et al. .... D18/50  
D674,009 S \* 1/2013 Yoshida .... D18/55  
D674,010 S \* 1/2013 Nanno .... D18/55  
D674,011 S \* 1/2013 Sato .... D18/55  
D676,483 S \* 2/2013 Kim et al. .... D18/50  
D676,903 S \* 2/2013 Kim et al. .... D18/50  
D677,328 S \* 3/2013 Kim et al. .... D18/50  
D680,161 S \* 4/2013 Goh et al. .... D18/50  
D680,162 S \* 4/2013 Goh et al. .... D18/55  
D680,581 S \* 4/2013 Nakata et al. .... D18/50  
D681,726 S \* 5/2013 Yonekawa .... D18/55  
D682,928 S \* 5/2013 Kim et al. .... D18/55  
D685,414 S \* 7/2013 Jeong et al. .... D18/53  
D686,275 S \* 7/2013 Nakazawa .... D18/50  
D687,089 S \* 7/2013 Nagano et al. .... D18/39  
D688,742 S \* 8/2013 Kim et al. .... D18/55  
D691,570 S \* 10/2013 Fleischer et al.  
D692,477 S \* 10/2013 Kim et al. .... D18/53  
D693,873 S \* 11/2013 Fukasawa et al. .... D18/55  
D695,339 S \* 12/2013 Fukasawa et al. .... D18/55  
D696,343 S \* 12/2013 Kim et al. .... D18/55  
D696,717 S \* 12/2013 Kim et al. .... D18/55  
D697,550 S \* 1/2014 Nanno et al. .... D18/50  
D697,965 S \* 1/2014 Fukasawa et al. .... D18/55  
D697,966 S \* 1/2014 Fukasawa et al. .... D18/55  
D697,967 S \* 1/2014 Fukasawa et al. .... D18/55  
D699,724 S \* 2/2014 Isozaki .... D14/421  
D701,563 S \* 3/2014 Kim et al. .... D18/53  
D702,759 S \* 4/2014 Oda .... D18/50  
D702,760 S \* 4/2014 Kim et al. .... D18/55  
8,690,061 B2 \* 4/2014 Hall et al. .... 235/454  
D714,861 S \* 10/2014 Tsuruoka et al. .... D18/50  
D718,313 S \* 11/2014 Goh et al. .... D14/421  
D718,314 S \* 11/2014 Chan et al. .... D14/422  
D720,397 S \* 12/2014 Hirabayashi et al. .... D18/50  
D720,754 S \* 1/2015 Chin et al. .... D14/422  
D720,803 S \* 1/2015 Inada .... D18/50  
D721,131 S \* 1/2015 Inada .... D18/50  
D724,142 S \* 3/2015 Kim et al. .... D18/55  
D726,249 S \* 4/2015 Kim et al. .... D18/53  
D726,250 S \* 4/2015 Kim et al. .... D18/55  
D726,251 S \* 4/2015 Kim et al. .... D18/55  
D727,410 S \* 4/2015 Saito .... D18/36  
D729,310 S \* 5/2015 Nakagawa et al. .... D18/50  
D730,979 S \* 6/2015 Anantha et al. .... D18/50  
D733,216 S \* 6/2015 Kuramochi .... D18/50  
D733,711 S \* 7/2015 Nakagawa et al. .... D14/421  
D733,712 S \* 7/2015 Nakagawa .... D14/421  
D734,338 S \* 7/2015 Nakagawa .... D14/421  
2003/0164957 A1 \* 9/2003 Komaki .... 358/1.6  
2005/0078340 A1 \* 4/2005 Kato .... 358/474  
2010/0078872 A1 \* 4/2010 Asada et al. .... 271/10.12  
2015/0092203 A1 \* 4/2015 Hashimoto .... 358/1.6  
2015/0116737 A1 \* 4/2015 Taira .... 358/1.6

## OTHER PUBLICATIONS

- “Customer reviews for hp HP Officejet 4620 e-All-in-One Printer,” Feb. 5, 2014 (53 pages) [Retrieved via Internet at [http://reviews.shopping.hp.com/8843/CZ152A\\_BVEP\\_B1H/hp-officejet-4620-e-all-in-one-printer-reviews/reviews.htm](http://reviews.shopping.hp.com/8843/CZ152A_BVEP_B1H/hp-officejet-4620-e-all-in-one-printer-reviews/reviews.htm)].  
“HP Officejet Pro 3620 Review,” Apr. 24, 2013 (7 pages) [Retrieved on Feb. 5, 2014 via internet at [tech2.in.com/reviews/mfps/hp-officejet-pro-3620-review/871242](http://tech2.in.com/reviews/mfps/hp-officejet-pro-3620-review/871242)].  
“HP Deskjet Ink Advantage 4625 e-All-in-One Printer,” Feb. 5, 2014 (10 pages) [Retrieved via Internet at [http://m.hp.com/emea\\_africa/en/products/printers/product-detail.do?oid=5261596](http://m.hp.com/emea_africa/en/products/printers/product-detail.do?oid=5261596)].  
“HP Officejet Pro 8600 Plus e-All-in-One Printer—N911g(CM750A),” Feb. 5, 2014 (11 pages) [Retrieved via internet at [http://www8.hp.com/lamerica\\_nsc\\_carib/en/products/printers/product-detail.html?oid=4323650#!tab=features](http://www8.hp.com/lamerica_nsc_carib/en/products/printers/product-detail.html?oid=4323650#!tab=features)].  
“HP Officejet 7500A Wide Format e-All-in-one Printer—E910a(C9309A),” Feb. 5, 2014 (16 pages) [Retrieved via Internet at <http://www8.hp.com/in/en/products/printers/product-detail.html?oid=4083651#!tab=features>].  
“HP Officejet Pro 8500A (910) e-All-in-One Series Printer Product Specifications,” Feb. 7, 2014 (14 pages) [Retrieved via Internet at [http://h10025.www1.hp.com/ewfrf/wc/document?cc=en&dlc=en&docname=c02173269&lc=en&jumpid=reg\\_r1002\\_inen\\_c-001\\_title\\_r0001#N53](http://h10025.www1.hp.com/ewfrf/wc/document?cc=en&dlc=en&docname=c02173269&lc=en&jumpid=reg_r1002_inen_c-001_title_r0001#N53)].  
“HP LaserJet Pro M1136 Multifunction Printer(CE849A),” Feb. 7, 2014 (12 pages) [Retrieved via internet at <http://www8.hp.com/in/en/products/printers/product-detail.html?oid=4075453#!tab=specs>].  
“HP LaserJet Pro CM1415 Color Multifunctional Printer series,” Feb. 5, 2014 (1 page) [Retrieved via internet at [http://h10010.www1.hp.com/wwpc/in/en/sm/WF10a/18972-18972-3328064-3328083-3328083-4089171.html?jumpid=in\\_r2515\\_in/en/smb/psg/psc404redir-ot-xx-xx-/chev/](http://h10010.www1.hp.com/wwpc/in/en/sm/WF10a/18972-18972-3328064-3328083-3328083-4089171.html?jumpid=in_r2515_in/en/smb/psg/psc404redir-ot-xx-xx-/chev/)].

\* cited by examiner

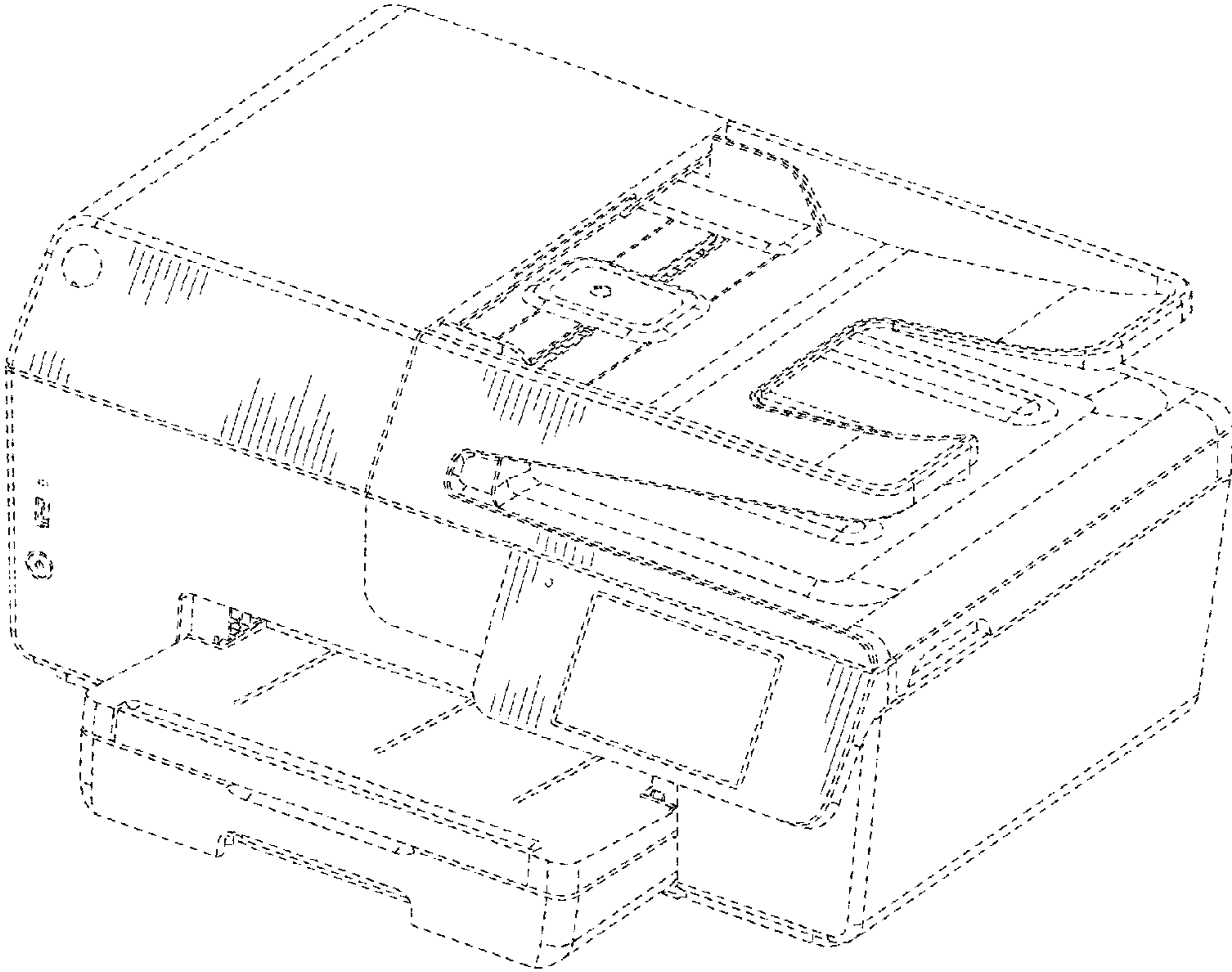


FIG. 1

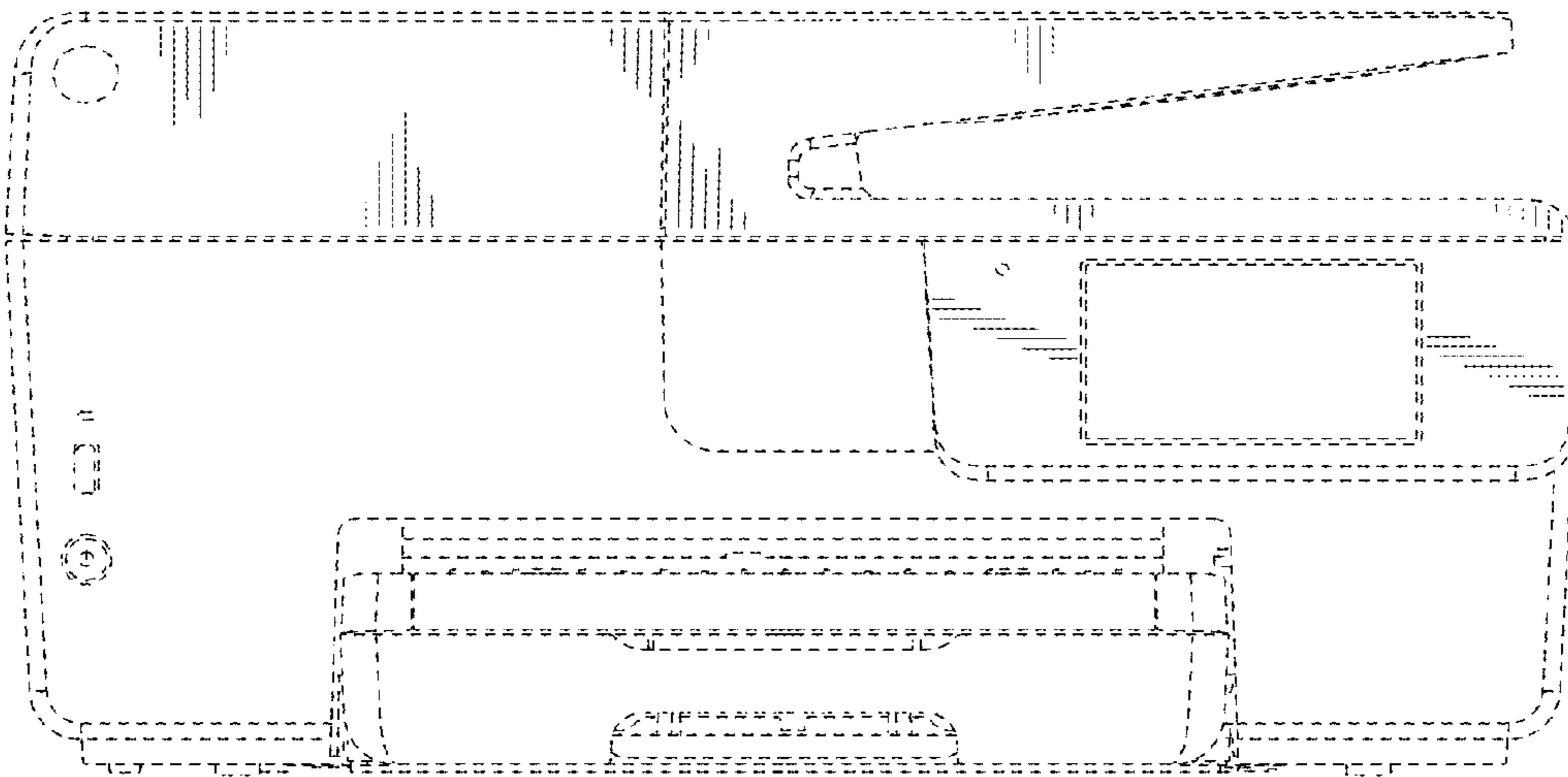


FIG. 2



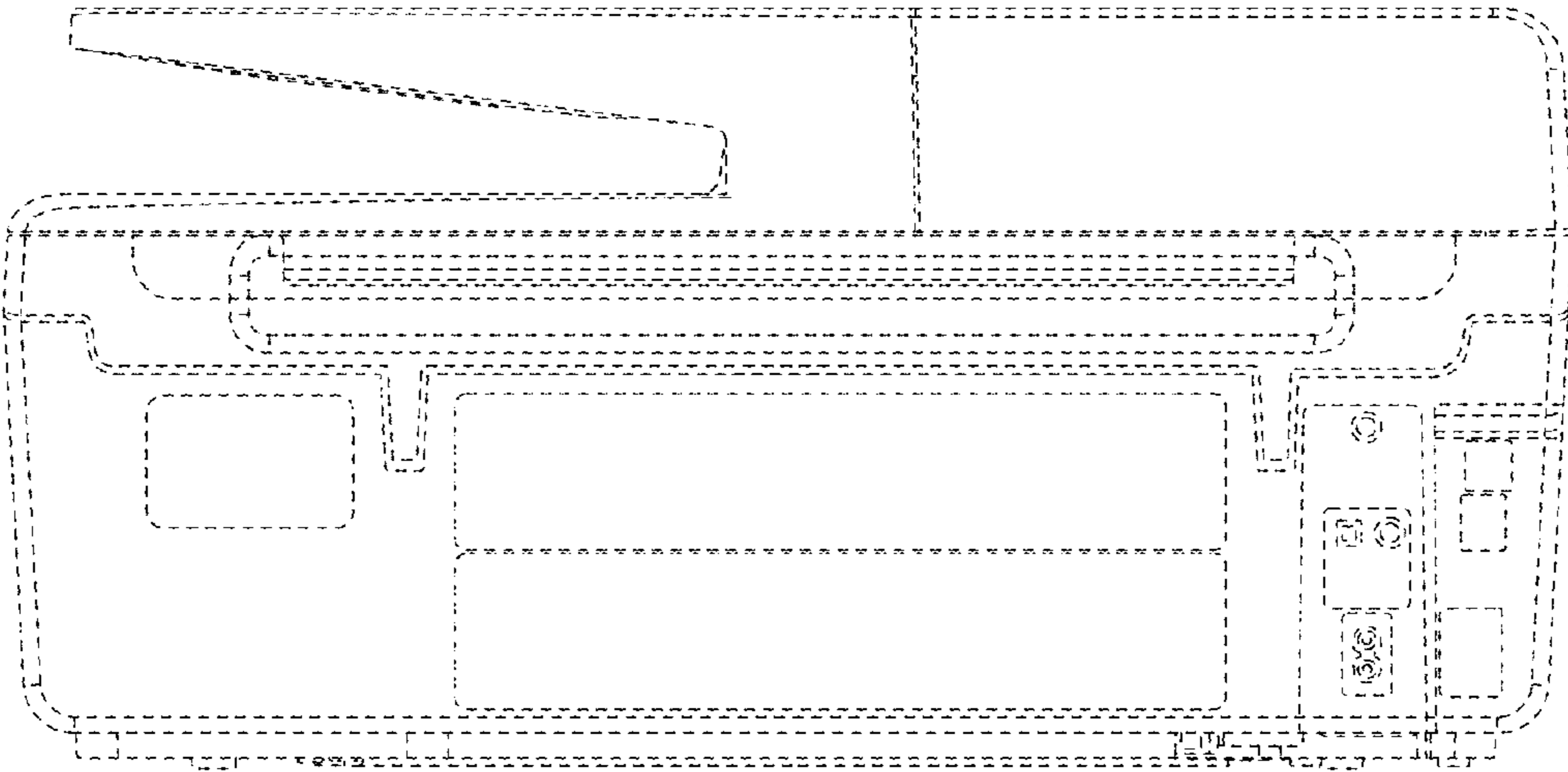


FIG. 3

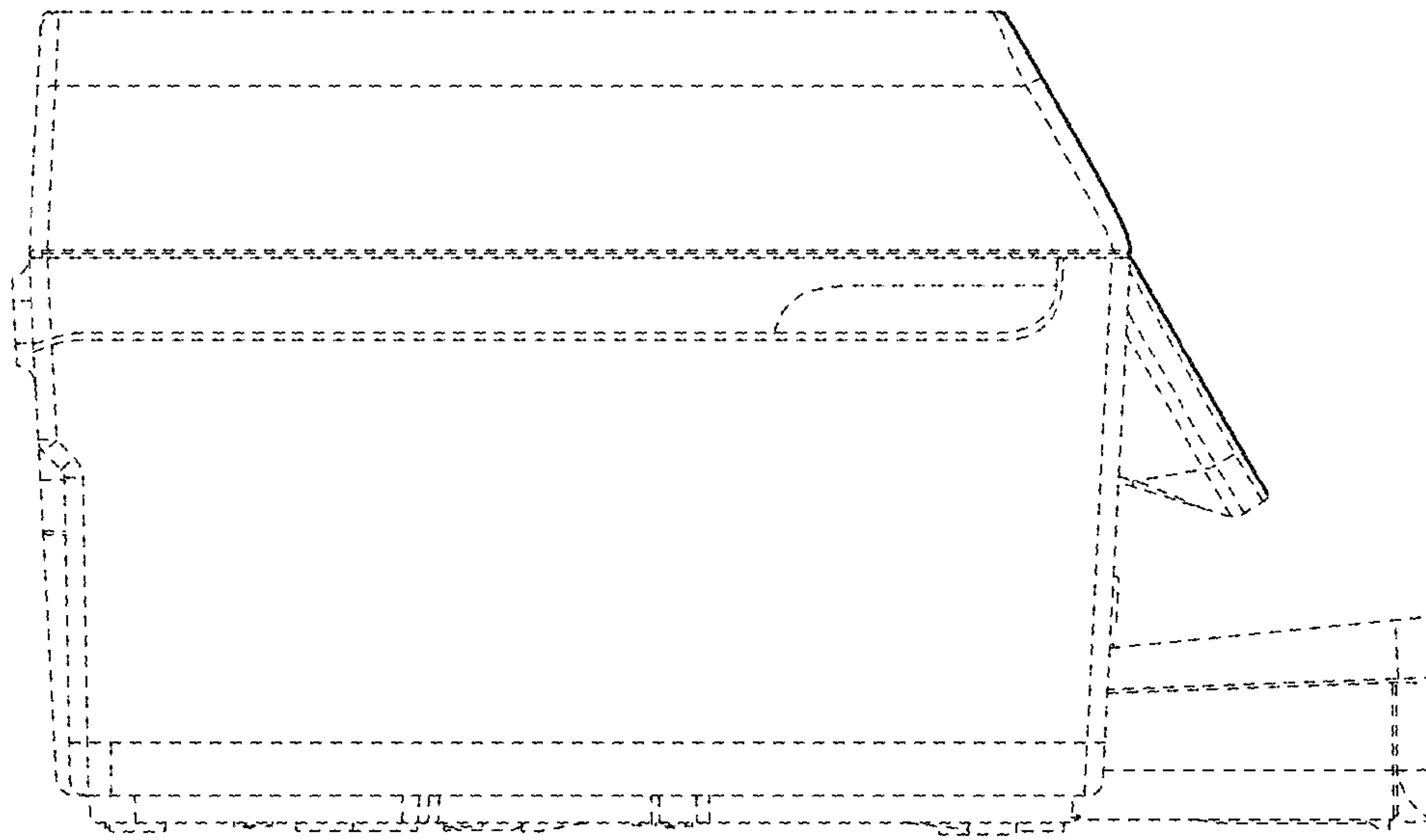


FIG. 4

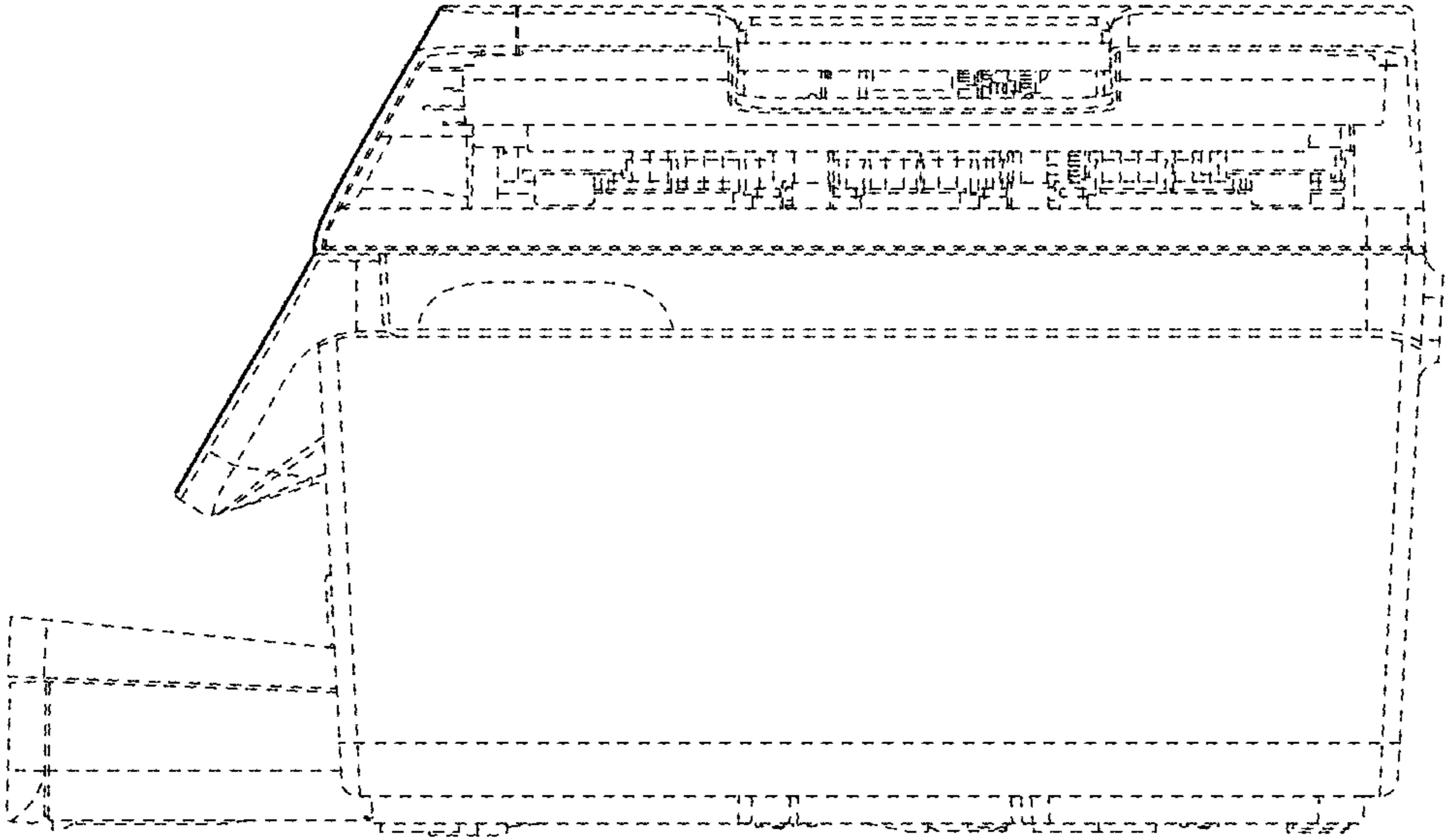


FIG. 5



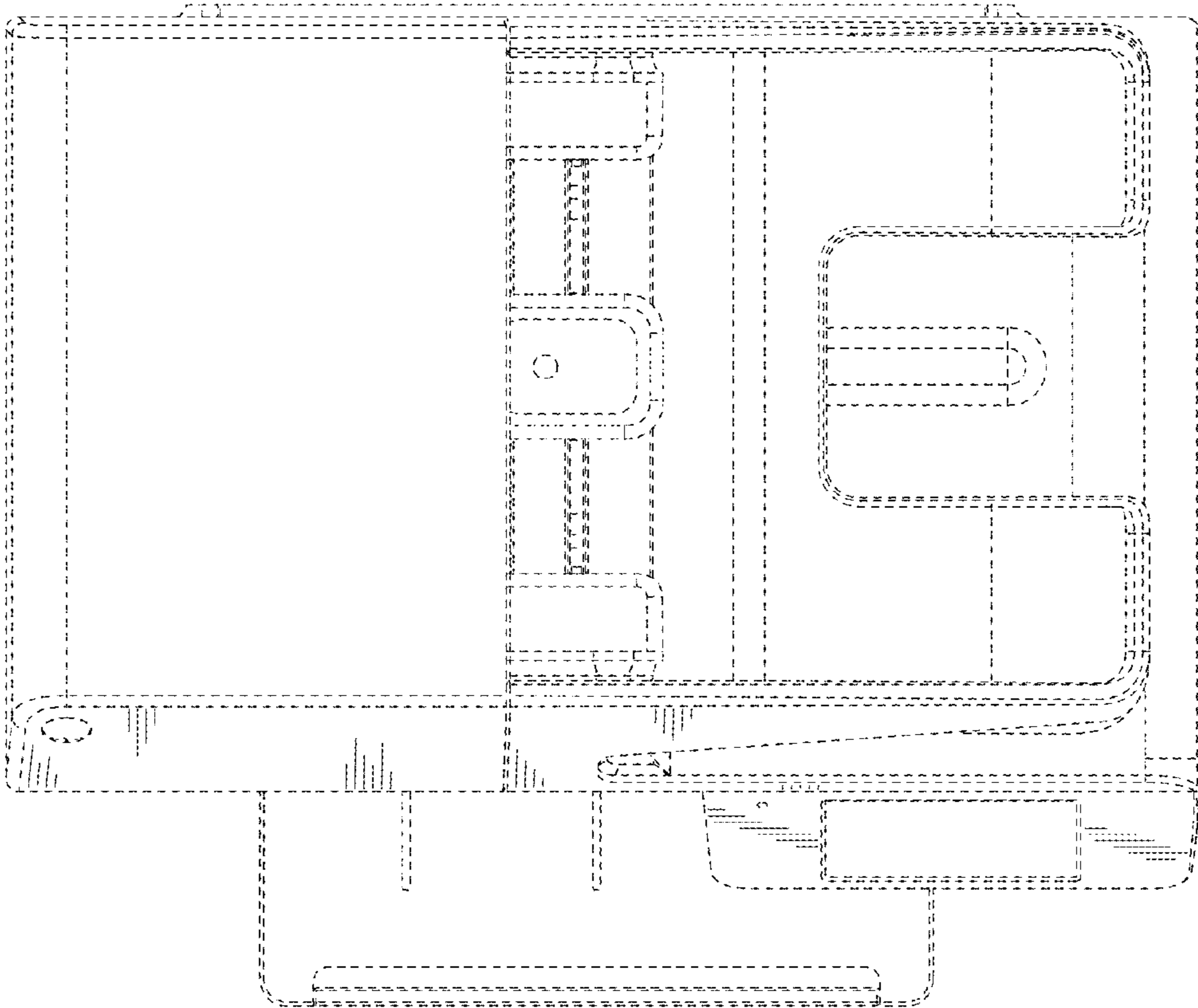


FIG. 6

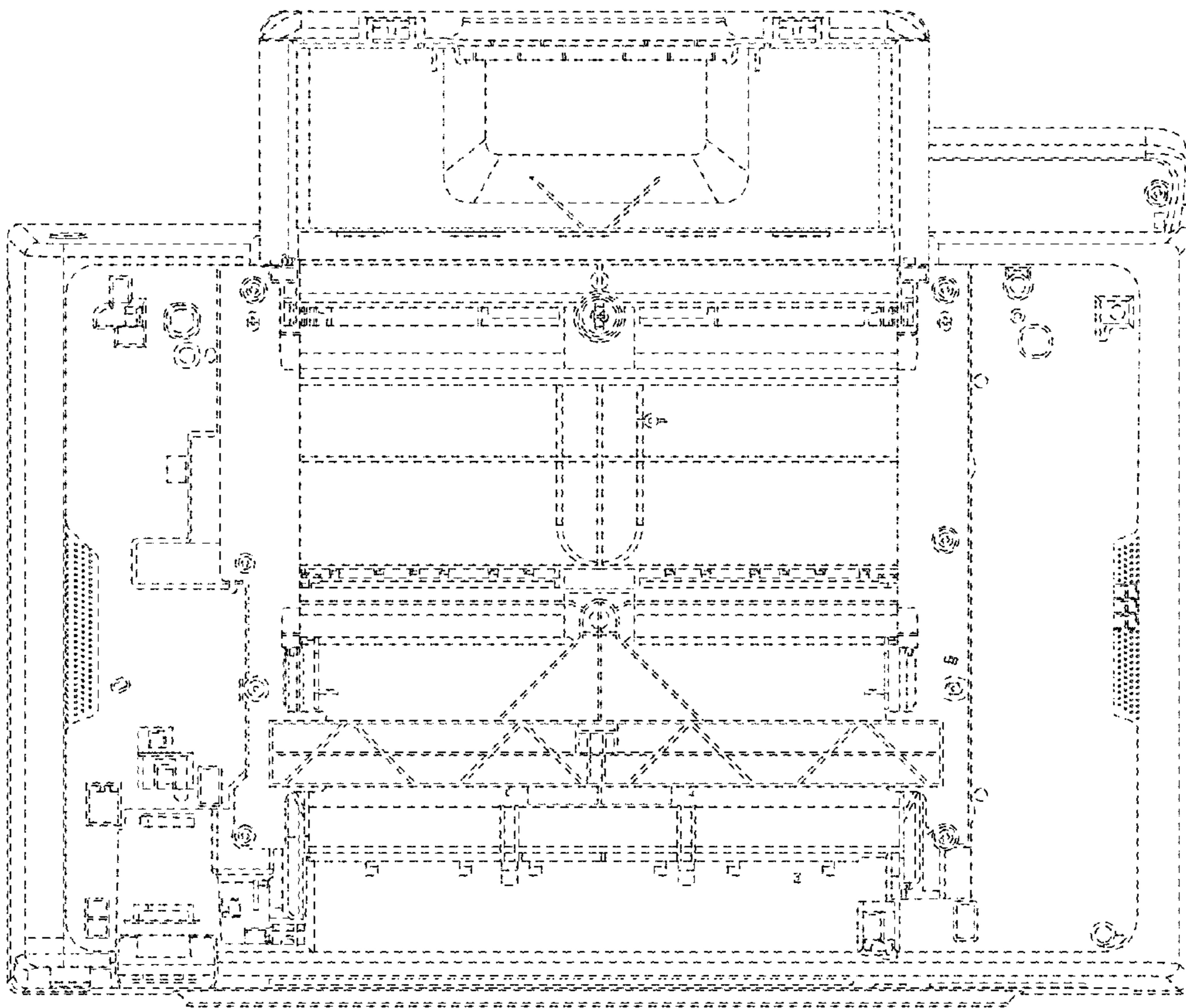


FIG. 7

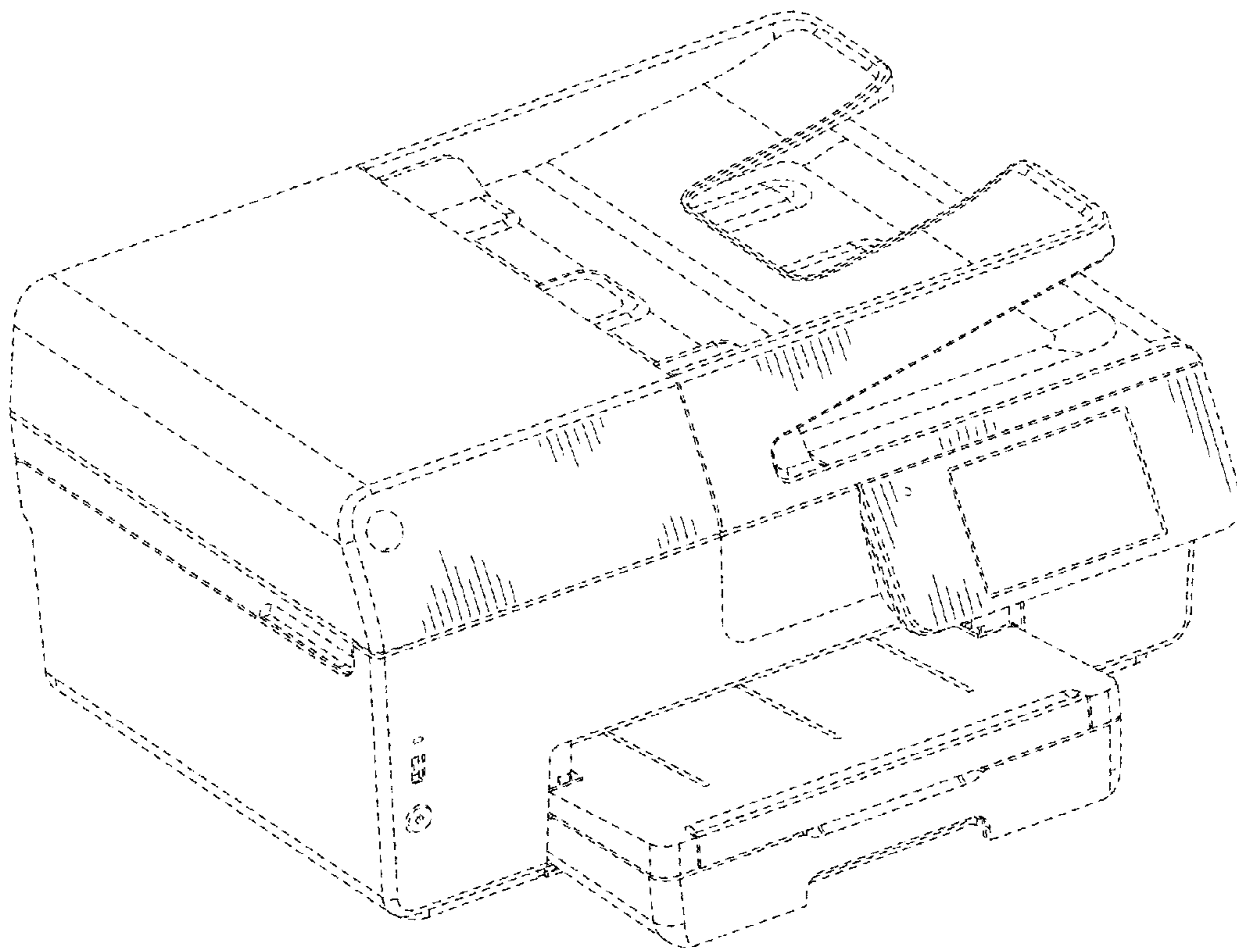


FIG. 8