



US00D745870S

(12) **United States Design Patent**
Jost

(10) **Patent No.:** **US D745,870 S**
(45) **Date of Patent:** **** Dec. 22, 2015**

(54) **COMPUTER MOUSE**

(71) Applicant: **Roccat GmbH**

(72) Inventor: **Andreas Jost**, Hamburg (DE)

(73) Assignee: **ROCCAT GMBH** (DE)

(**) Term: **15 Years**

(21) Appl. No.: **29/536,038**

(22) Filed: **Aug. 12, 2015**

Related U.S. Application Data

(62) Division of application No. 29/485,124, filed on Mar. 16, 2014, now Pat. No. Des. 739,406.

(51) **LOC (10) Cl.** **14-02**

(52) **U.S. Cl.**
USPC **D14/409**

(58) **Field of Classification Search**
USPC D14/402–411, 356, 388, 389, 383–385,
D14/417, 426; 345/156–167; 463/36–38;
358/471, 473; 273/148 B
CPC G06F 3/03543; G06F 2203/0333;
G06F 3/039; G06F 3/038; G06F 2203/0384
See application file for complete search history.

(56) **References Cited**

U.S. PATENT DOCUMENTS

D562,822 S * 2/2008 Canavan D14/409
D596,180 S * 7/2009 Manalo D14/406

D599,353 S *	9/2009	Kujawski	D14/409
D618,685 S *	6/2010	Haase	D14/409
D620,009 S *	7/2010	Lin	D14/409
D638,428 S *	5/2011	Kujawski	D14/409
D665,392 S *	8/2012	Jost	D14/409
D667,409 S *	9/2012	Kujawski	D14/409
D667,410 S *	9/2012	Altaai	D14/409
D669,895 S *	10/2012	Li	D14/409
D680,113 S *	4/2013	Li	D14/409
D739,406 S *	9/2015	Jost	D14/409

* cited by examiner

Primary Examiner — Austin Murphy

(74) *Attorney, Agent, or Firm* — Inventa Capital PLC

(57) **CLAIM**

I claim the ornamental design for a computer mouse, as shown and described.

DESCRIPTION

FIG. 1 is a back view of a computer mouse;
FIG. 2 is a front side view of the computer mouse;
FIG. 3 is a right side view of the computer mouse;
FIG. 4 is a perspective view of the computer mouse taken from the front;
FIG. 5 is a right side view of the computer mouse;
FIG. 6 is a top view of the computer mouse;
FIG. 7 is a back view of the computer mouse; and,
FIG. 8 is a bottom view of the computer mouse.

1 Claim, 5 Drawing Sheets

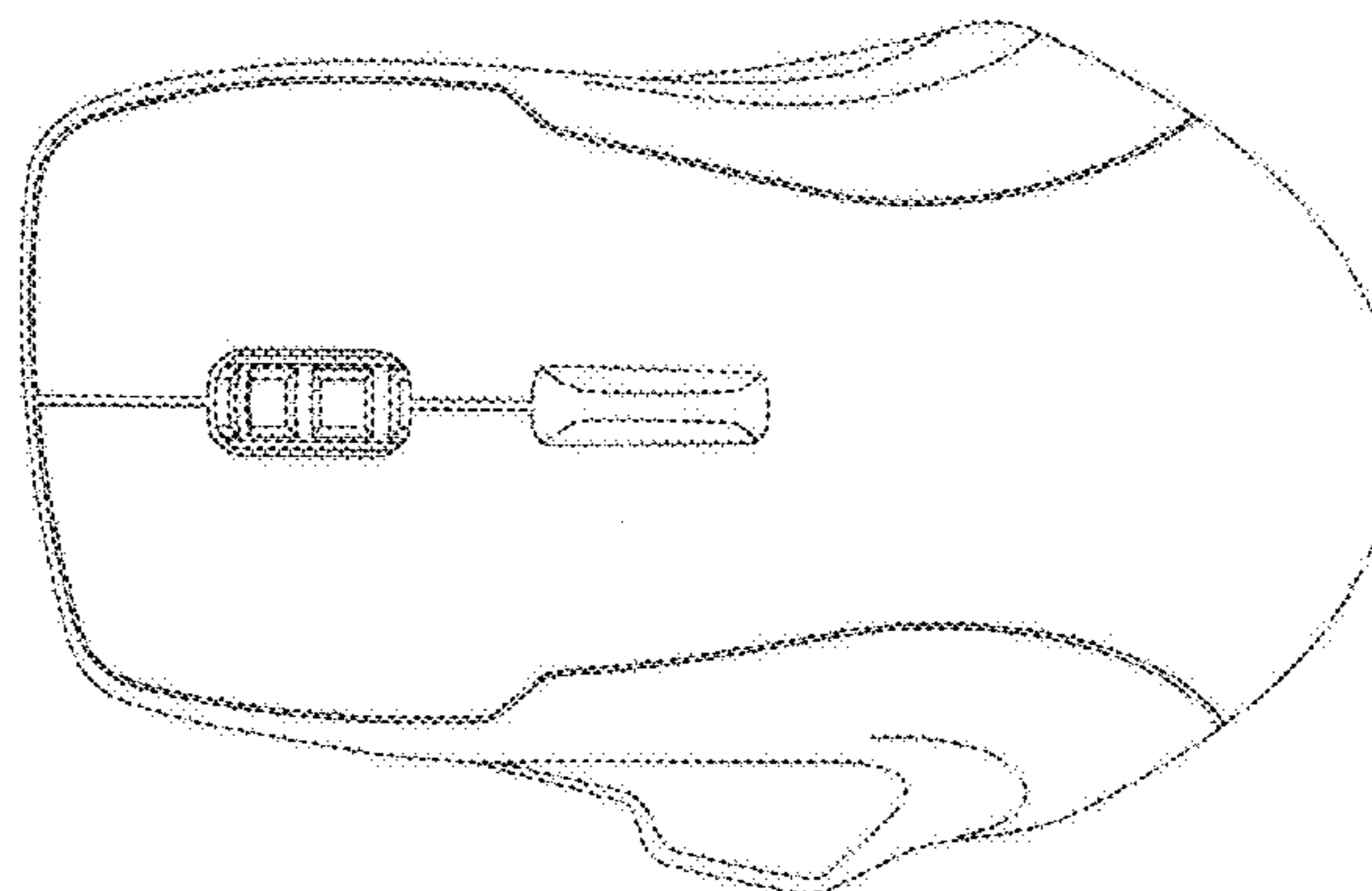
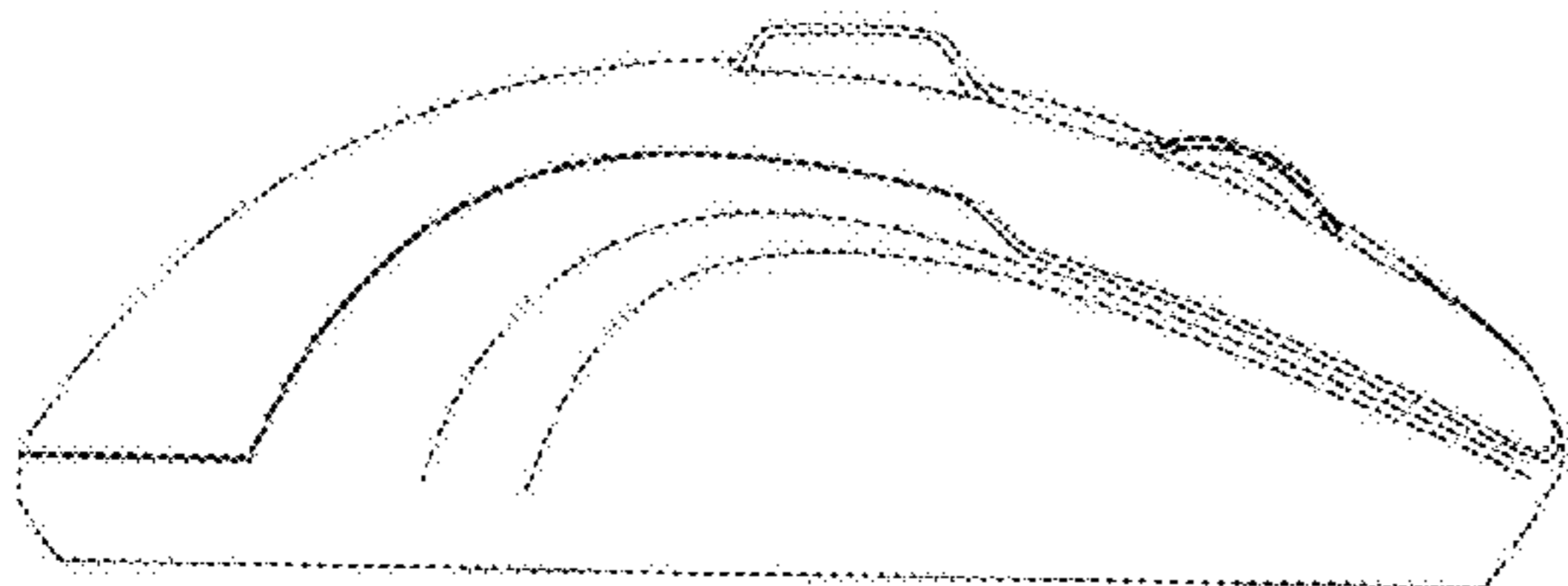


FIGURE 1

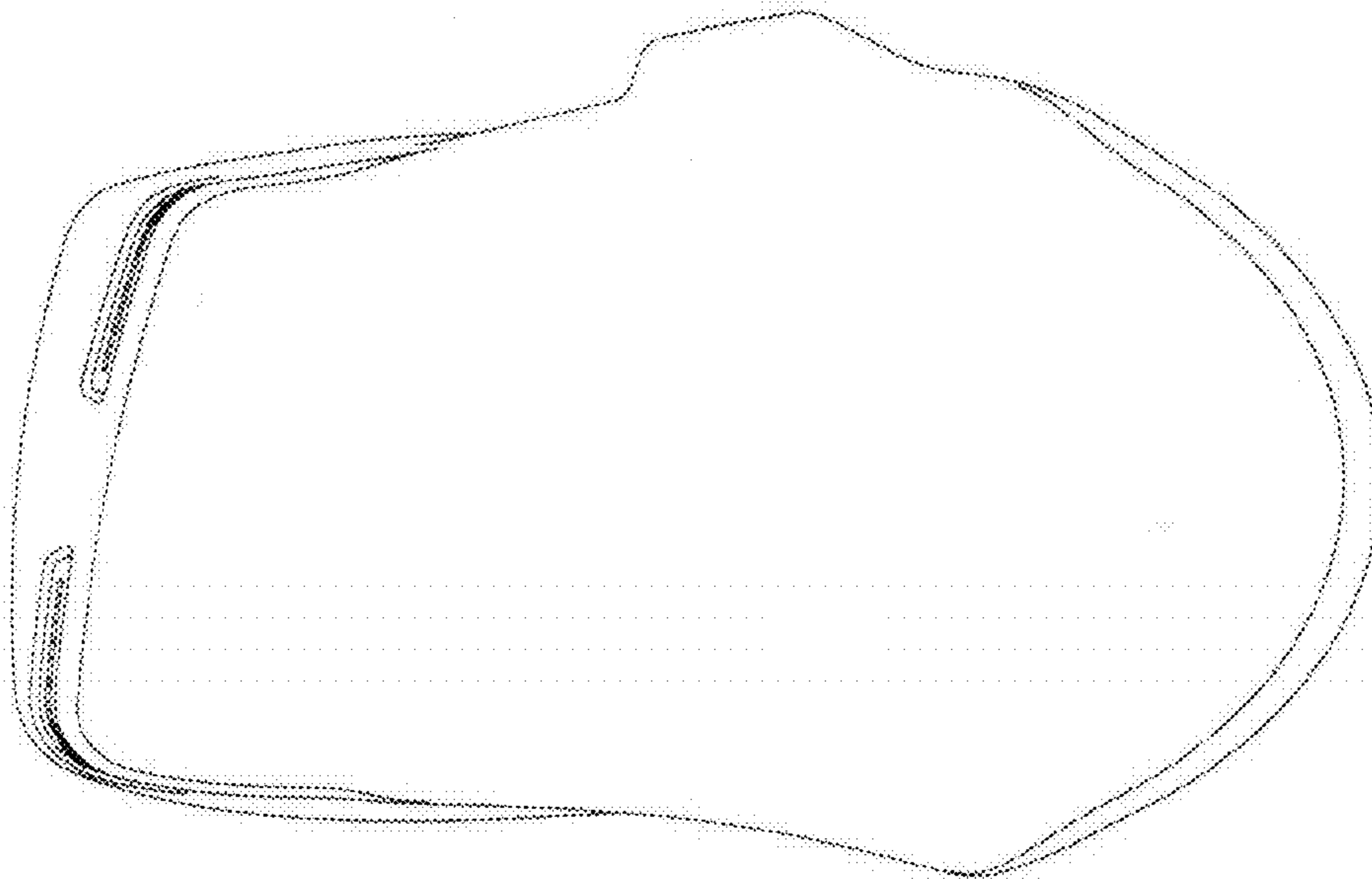
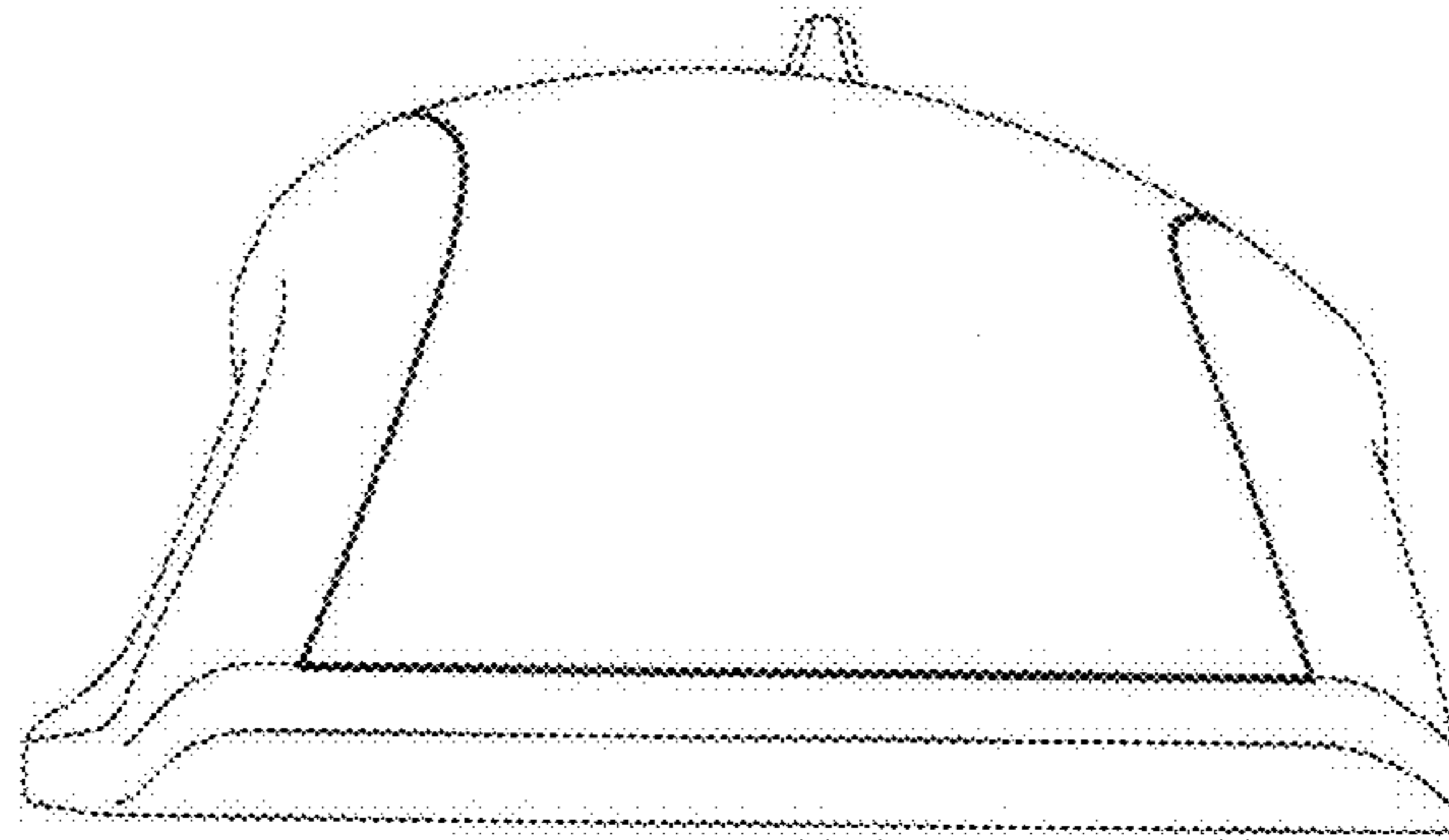


FIGURE 8

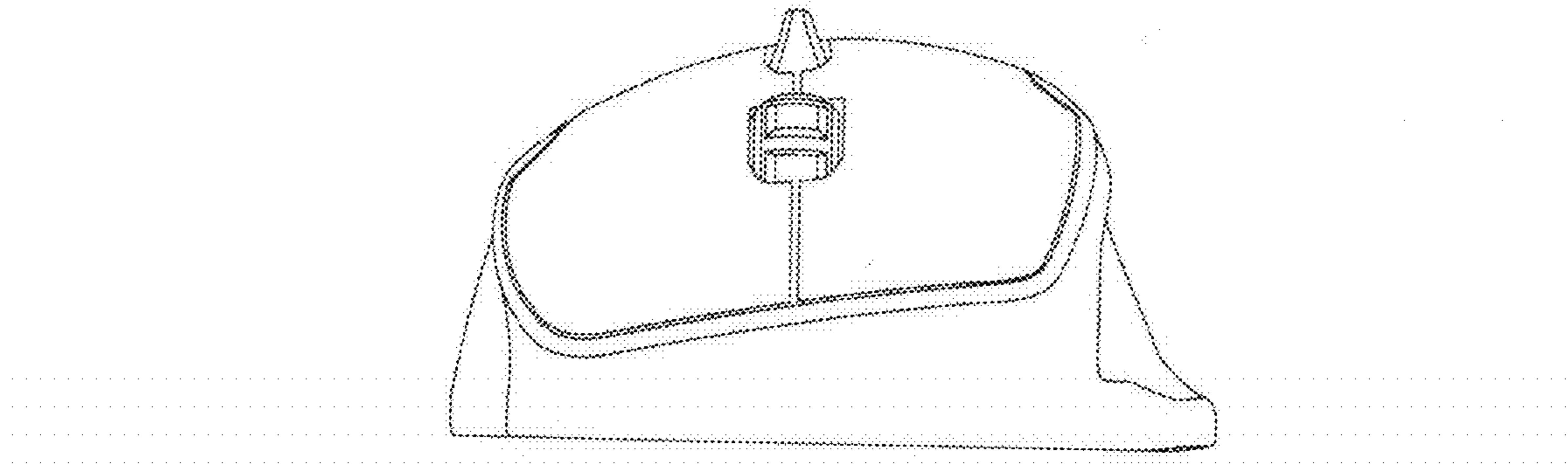


FIGURE 2

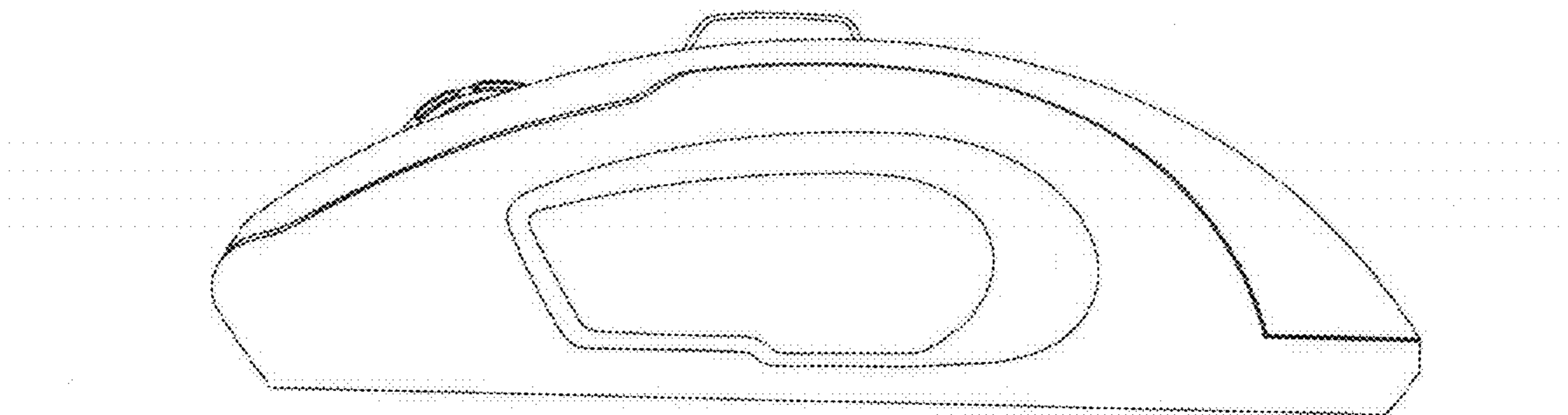


FIGURE 3

FIGURE 4

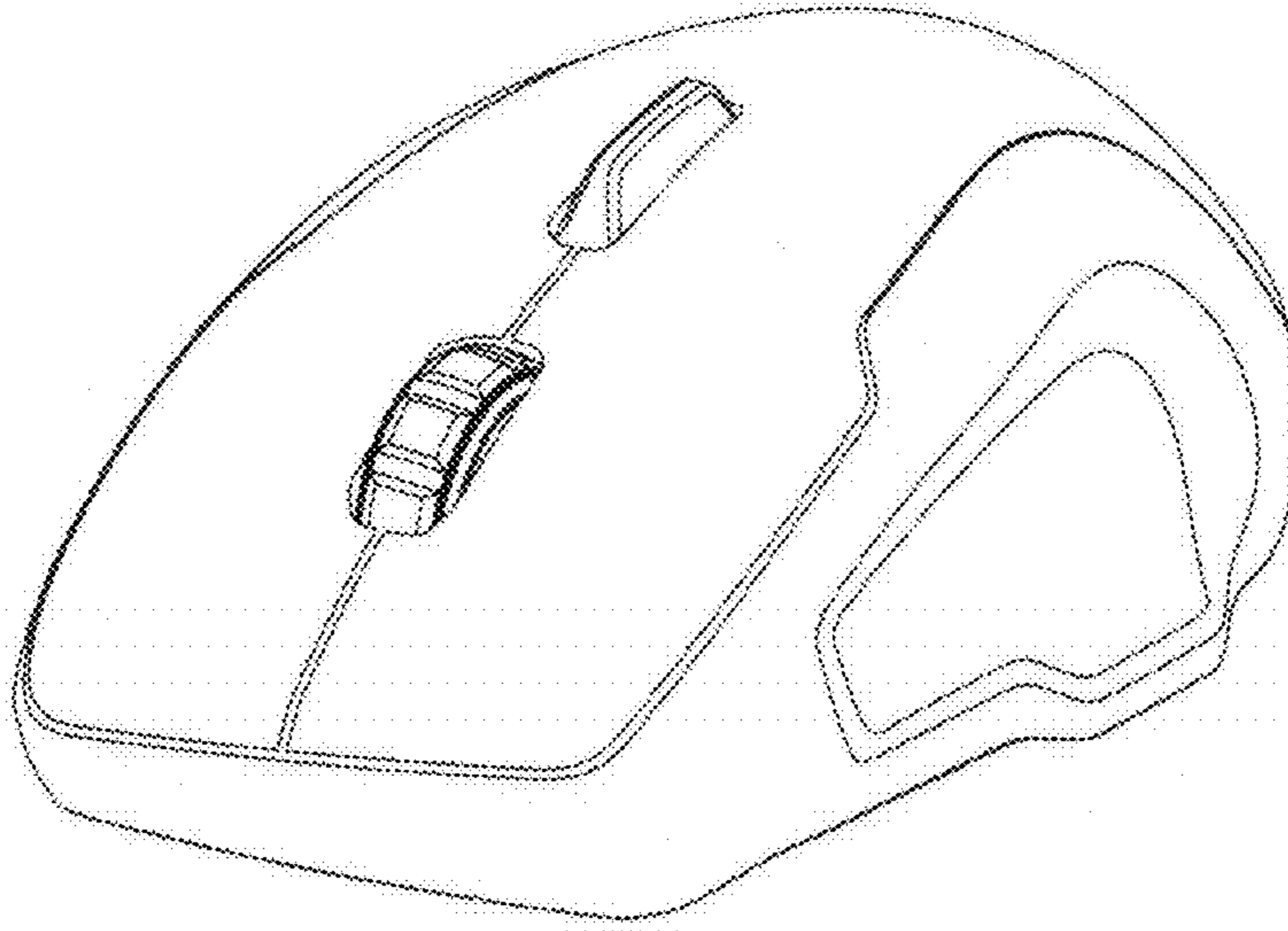


FIGURE 5

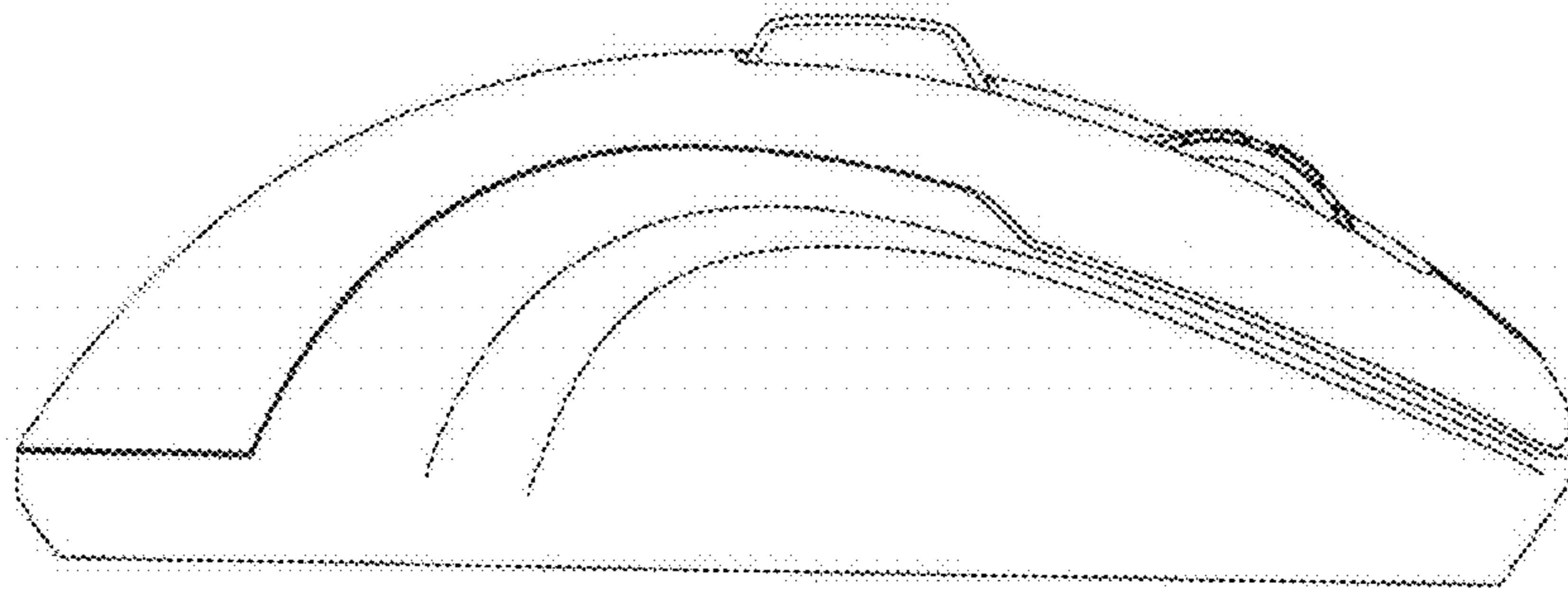
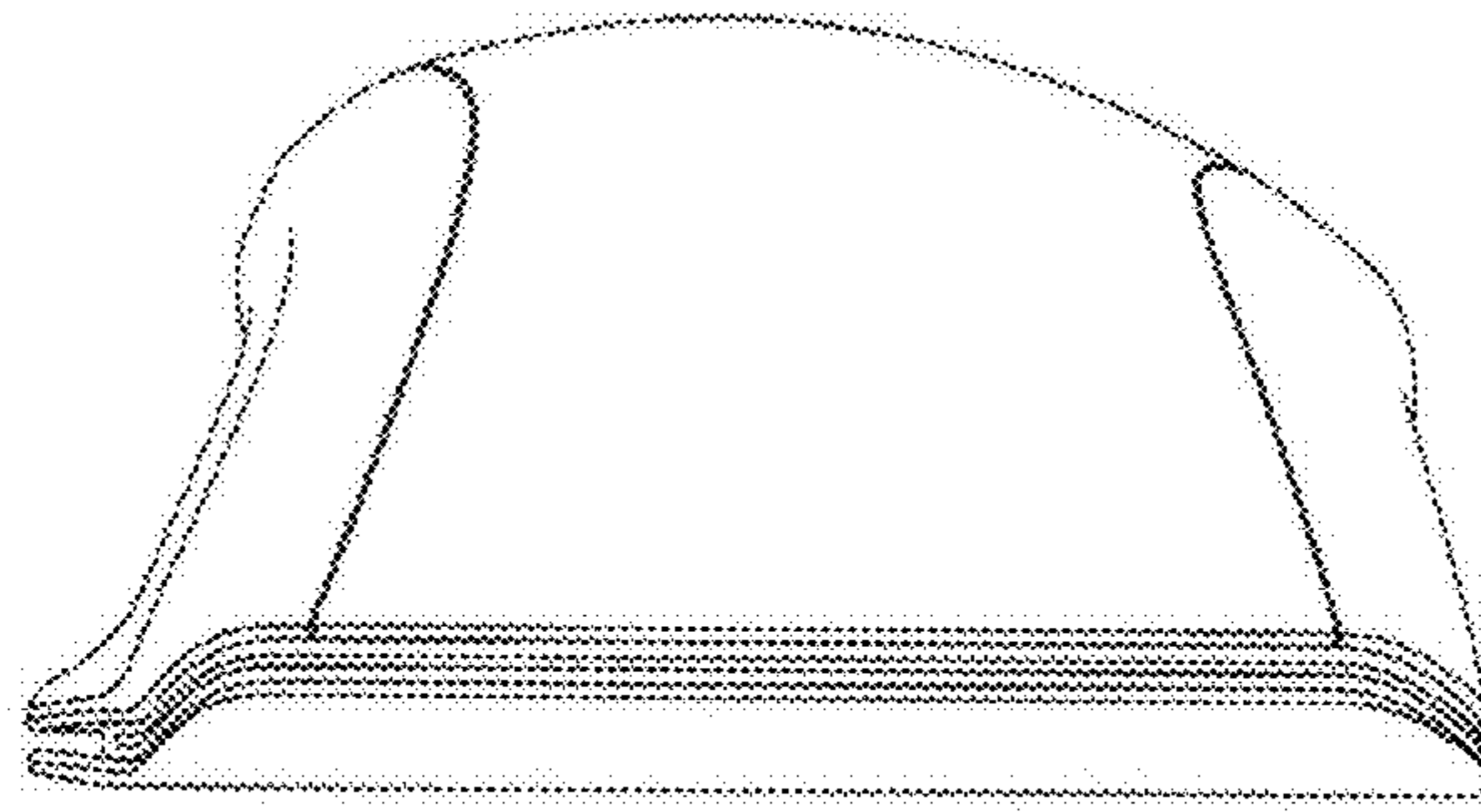


FIGURE 6



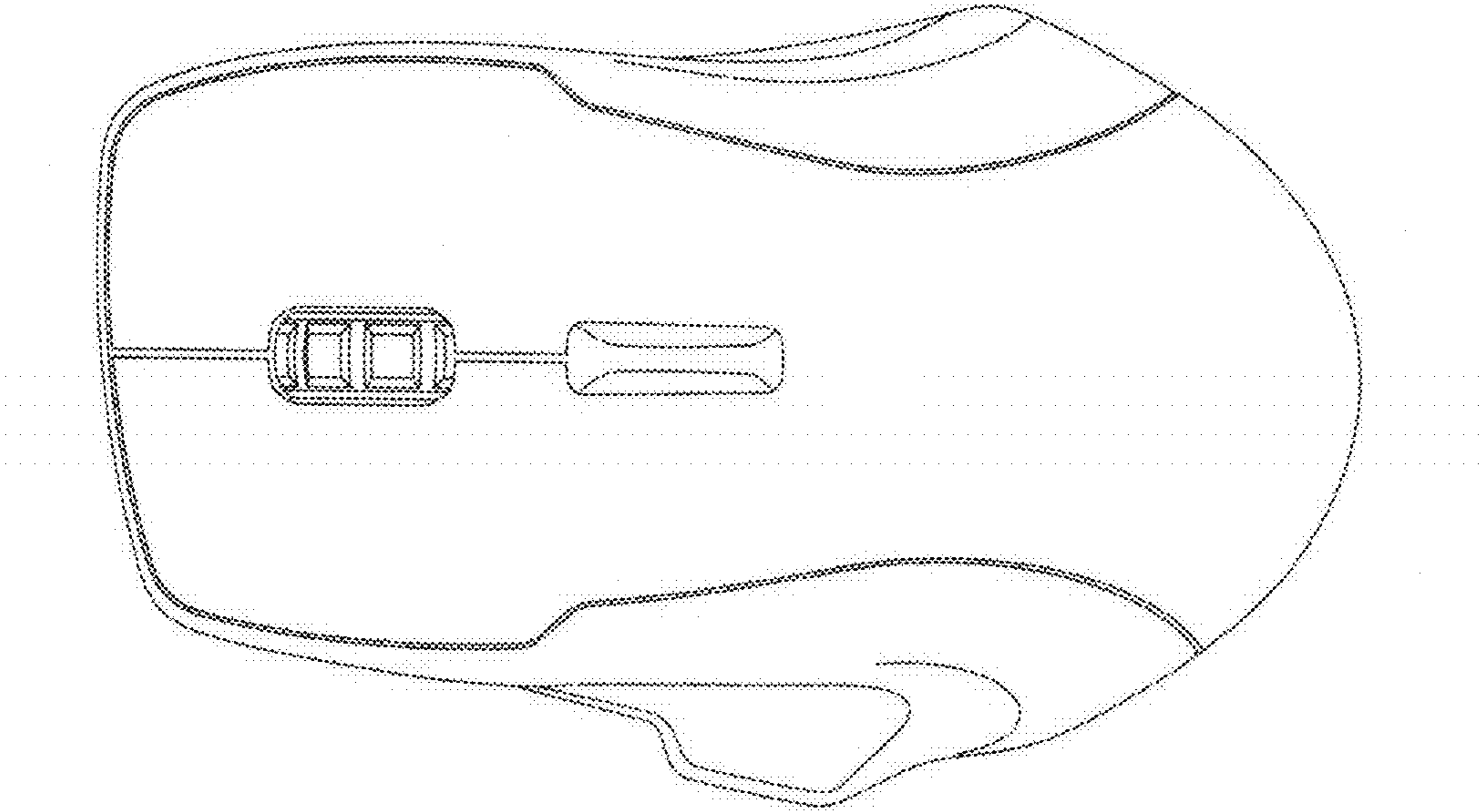


FIGURE 7