



US00D745868S

(12) **United States Design Patent**  
**Choi et al.**

(10) **Patent No.:** **US D745,868 S**

(45) **Date of Patent:** **\*\* Dec. 22, 2015**

(54) **ELECTRONIC DEVICE**

(71) Applicant: **Samsung Electronics Co., Ltd.**,  
Suwon-Si, Gyeonggi-Do (KR)

(72) Inventors: **Jaewoong Choi**, Seoul (KR); **Jeff Jones**,  
San Francisco, CA (US); **Yongseok**  
**Bang**, Yongin-si (KR); **Howard Nuk**,  
San Francisco, CA (US); **Wonseok**  
**Choi**, Seoul (KR); **Alex Millie**, San  
Francisco, CA (US); **Jihyun Ko**, Seoul  
(KR); **Seung-Min Park**, Seoul (KR);  
**Hayoul Jung**, Seoul (KR)

(73) Assignee: **Samsung Electronics Co., Ltd.**,  
Gyeonggi-do (KR)

(\*\*) Term: **14 Years**

(21) Appl. No.: **29/499,917**

(22) Filed: **Aug. 20, 2014**

(30) **Foreign Application Priority Data**

Feb. 22, 2014 (KR) ..... 30-2014-0009041

(51) **LOC (10) Cl.** ..... **14-03**

(52) **U.S. Cl.**  
USPC ..... **D14/344**; D10/32; D10/70

(58) **Field of Classification Search**

USPC ..... D14/140, 137, 138 R, 138 AB, 139, 144,  
D14/155, 167, 191, 192, 203.1, 203.3,  
D14/203.4, 203.5, 203.7, 248, 226, 218,  
D14/240, 344, 440, 341, 346, 448, 450,  
D14/496; D10/30-32, 37-39, 65, 70, 77,  
D10/78, 98, 104.1, 104.2, 125; D11/3-5,  
D11/12, 19, 25; D13/168; D3/215;  
D15/199; 381/364, 151; 379/433.1;  
455/575.1, 575.3, 575.4, 575.6, 556.1,  
455/556.2, 558, 90.3; 368/10, 13, 69, 223,  
368/281, 282, 294, 295, 296; D21/329,  
D21/513; D24/167, 186; 482/8

CPC ..... H04B 1/03; H04B 1/385; G04G 9/00;  
G04G 17/00; G04G 17/04; G04G 17/06;  
G04G 17/083; H04M 1/0227; H04M 1/03;  
H04M 1/04

See application file for complete search history.

(56)

**References Cited**

U.S. PATENT DOCUMENTS

D445,697 S \* 7/2001 Hysek ..... D10/30  
D568,768 S \* 5/2008 Tang ..... D10/30  
D576,501 S \* 9/2008 Tang ..... D10/32  
7,575,368 B2 \* 8/2009 Guillaume ..... 368/282  
D606,423 S \* 12/2009 Mille ..... D10/38  
D628,498 S \* 12/2010 Arellano ..... D10/38  
D703,069 S \* 4/2014 Adams et al. .... D10/31  
D705,673 S \* 5/2014 Arellano ..... D10/38  
D715,668 S \* 10/2014 Roush et al. .... D10/98  
D725,068 S \* 3/2015 Cho et al. .... D14/138 R  
D726,052 S \* 4/2015 Henning ..... D10/98  
D726,140 S \* 4/2015 Park et al. .... D14/138 R  
D728,624 S \* 5/2015 Akana et al. .... D14/496

(Continued)

*Primary Examiner* — Susan Bennett Hattan

*Assistant Examiner* — Marie Fast Horse

(74) *Attorney, Agent, or Firm* — Harness, Dickey & Pierce

(57)

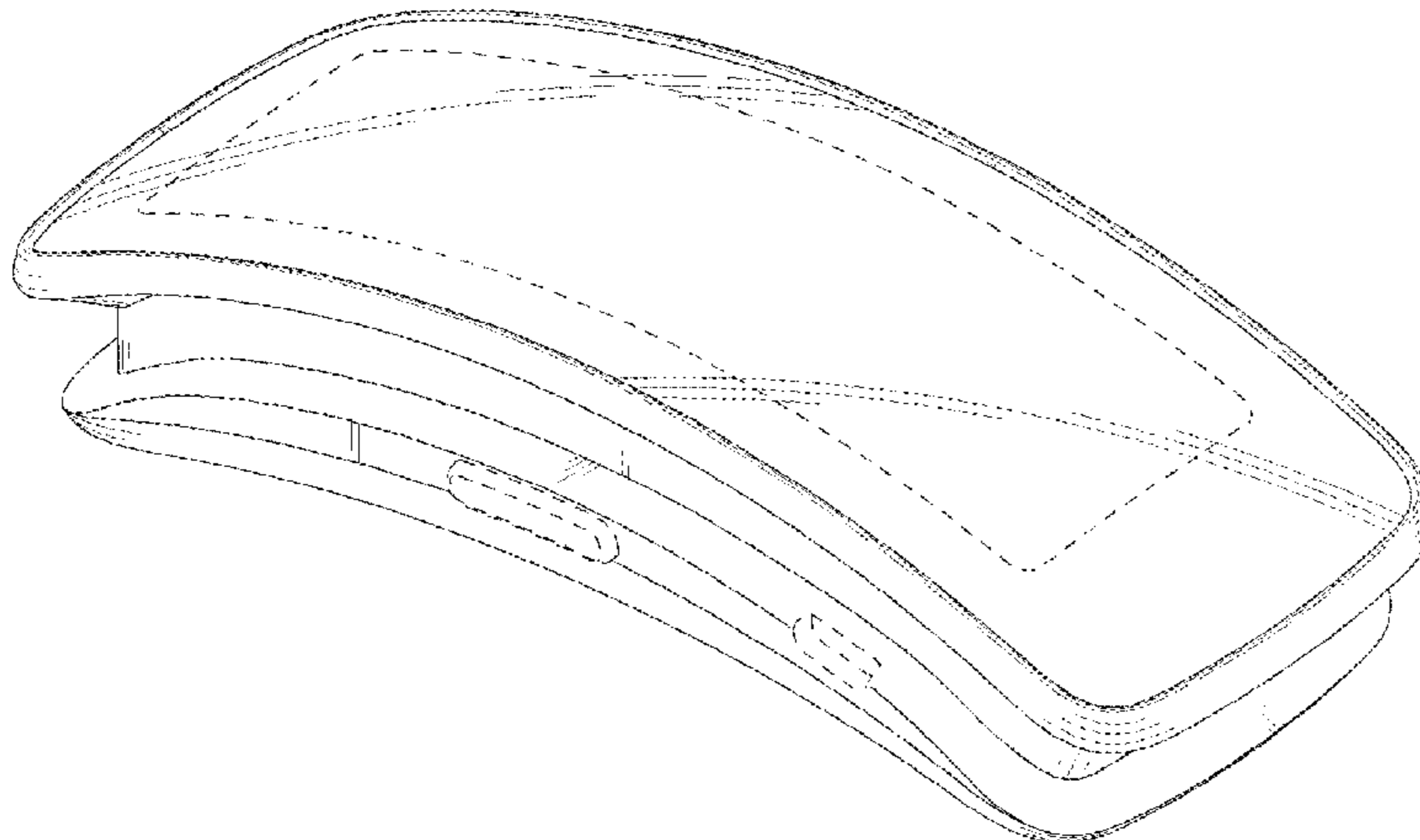
**CLAIM**

The ornamental design for electronic device, as shown and described.

**DESCRIPTION**

FIG. 1 is the front perspective view of electronic device showing our new design;  
FIG. 2 is the front view thereof;  
FIG. 3 is the rear view thereof;  
FIG. 4 is the left-side view thereof;  
FIG. 5 is the right-side view thereof;  
FIG. 6 is the top-side plan view thereof; and,  
FIG. 7 is the bottom-side plan view thereof.  
The broken lines in the figures show portions of the electronic device which form no part of the claimed design.

**1 Claim, 5 Drawing Sheets**



(56)

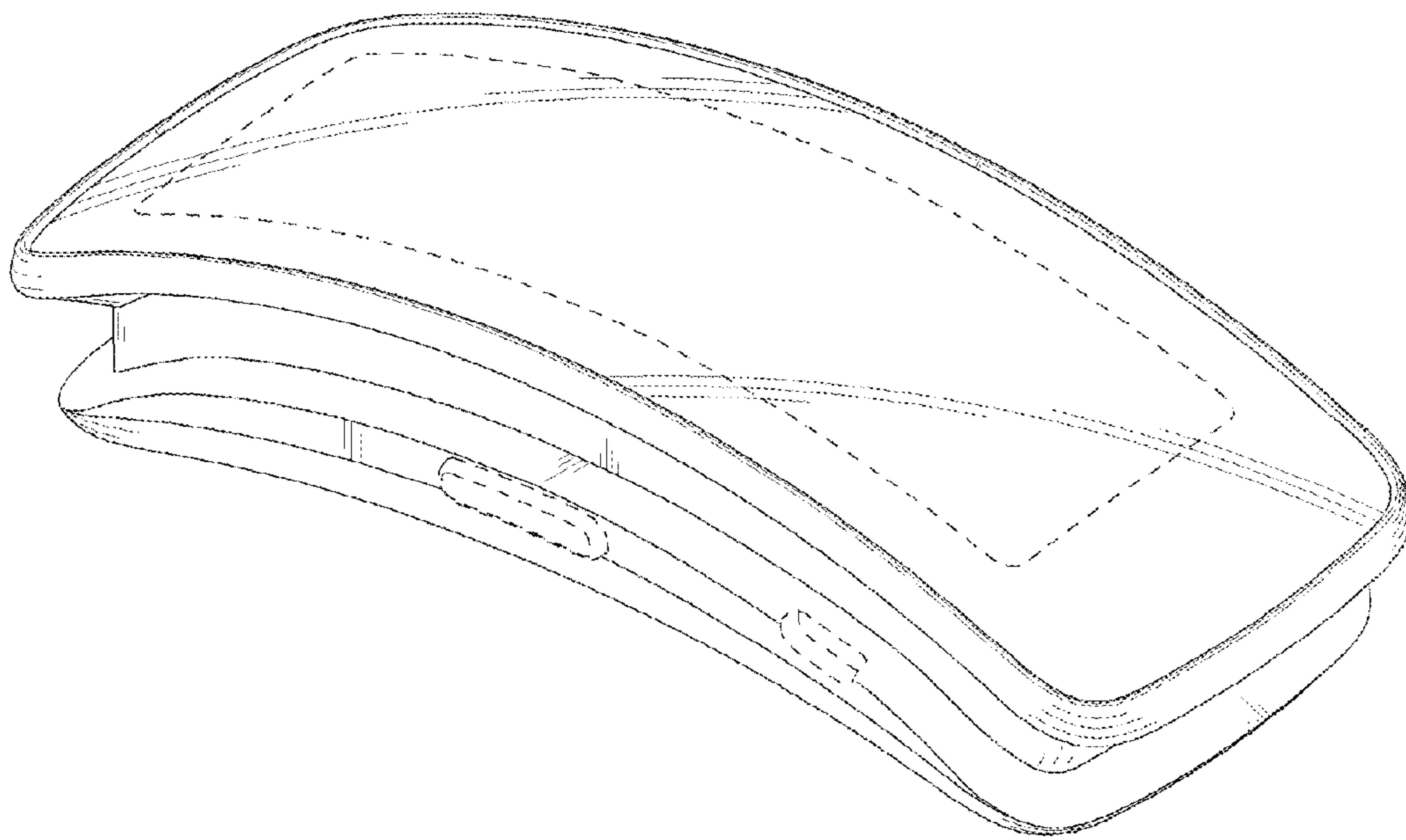
**References Cited**

U.S. PATENT DOCUMENTS

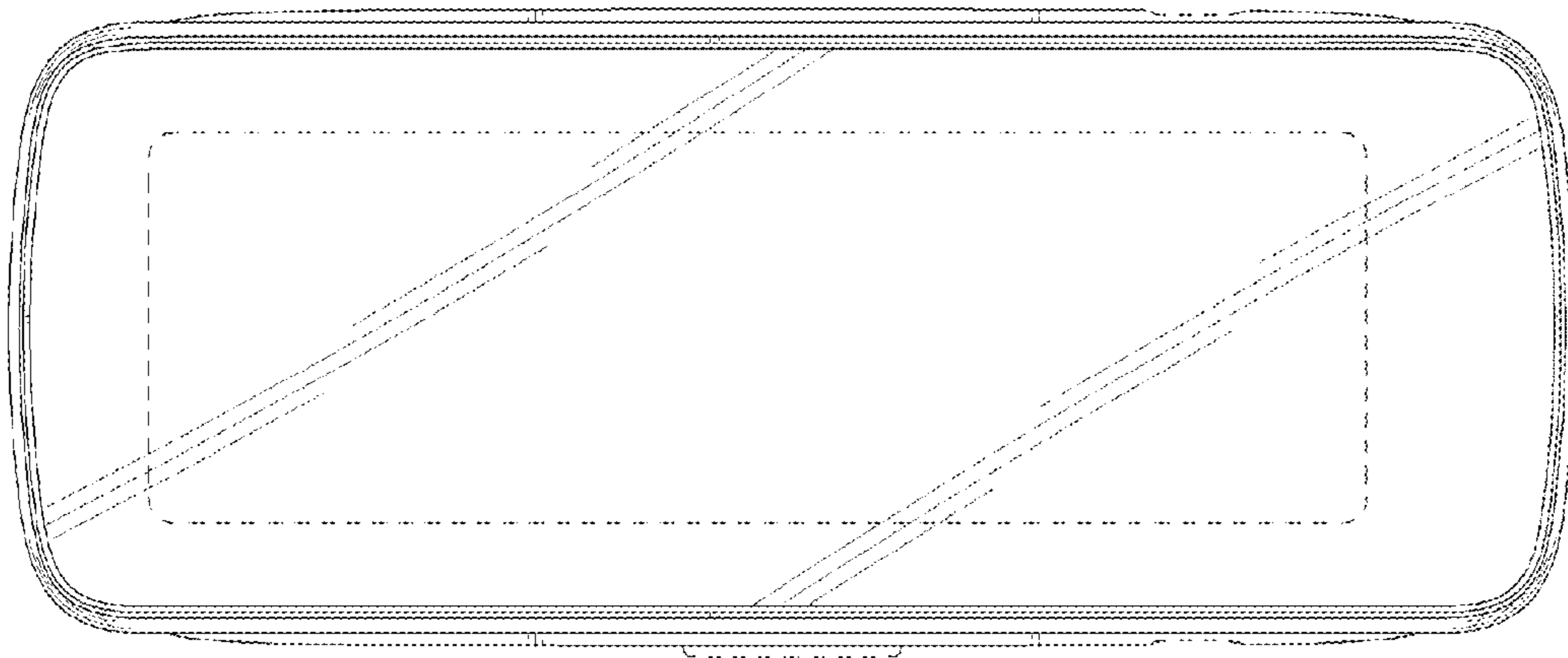
D729,646 S *	5/2015	Phillips et al. ....	D10/70	2005/0237704 A1 *	10/2005	Ceresoli .....	361/683
D729,653 S *	5/2015	Nuovo et al. ....	D10/70	2014/0121539 A1 *	5/2014	Chatterjee et al. ....	600/479
D729,681 S *	5/2015	Lee .....	D11/3	2014/0218852 A1 *	8/2014	Alcazar .....	361/679.03
D730,347 S *	5/2015	Jung et al. ....	D14/344	2014/0241135 A1 *	8/2014	Racine et al. ....	368/309
D731,898 S *	6/2015	Squires .....	D10/30	2015/0022957 A1 *	1/2015	Hiroki et al. ....	361/679.01
				2015/0085623 A1 *	3/2015	Modaragamage .....	368/10
				2015/0098309 A1 *	4/2015	Adams et al. ....	368/10
				2015/0105221 A1 *	4/2015	Roush et al. ....	482/8

\* cited by examiner

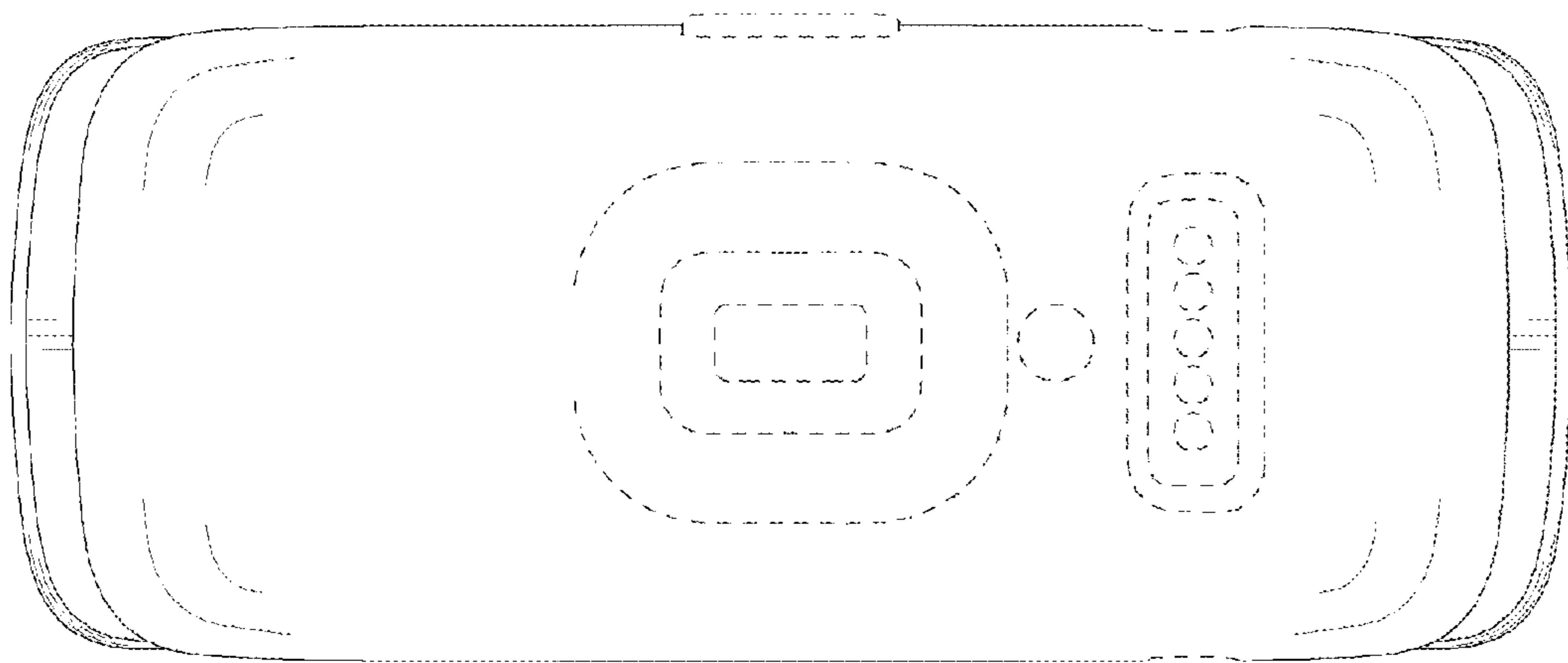
**Fig. 1**



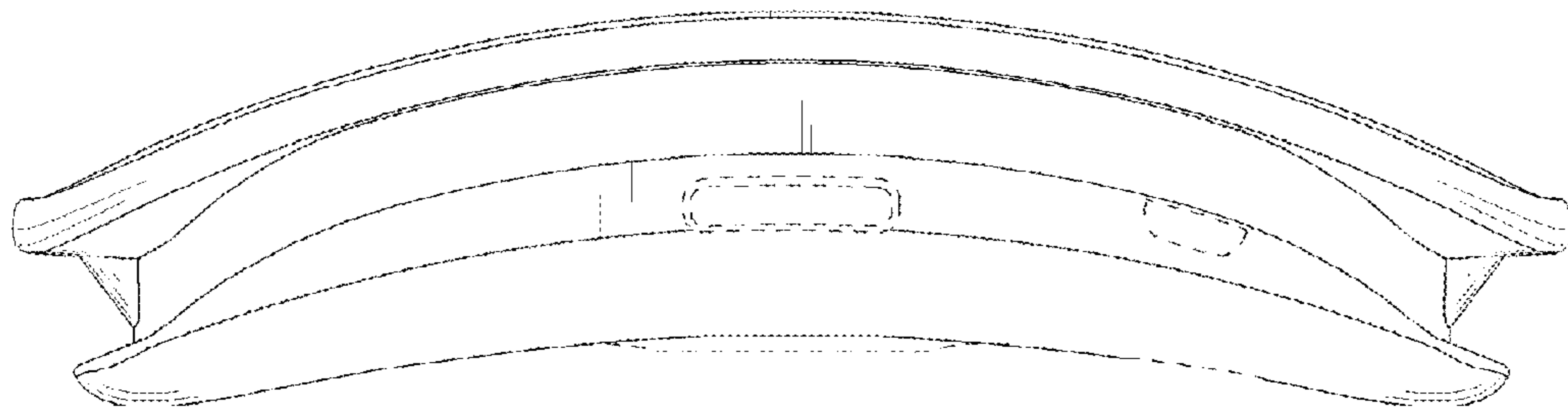
**Fig. 2**



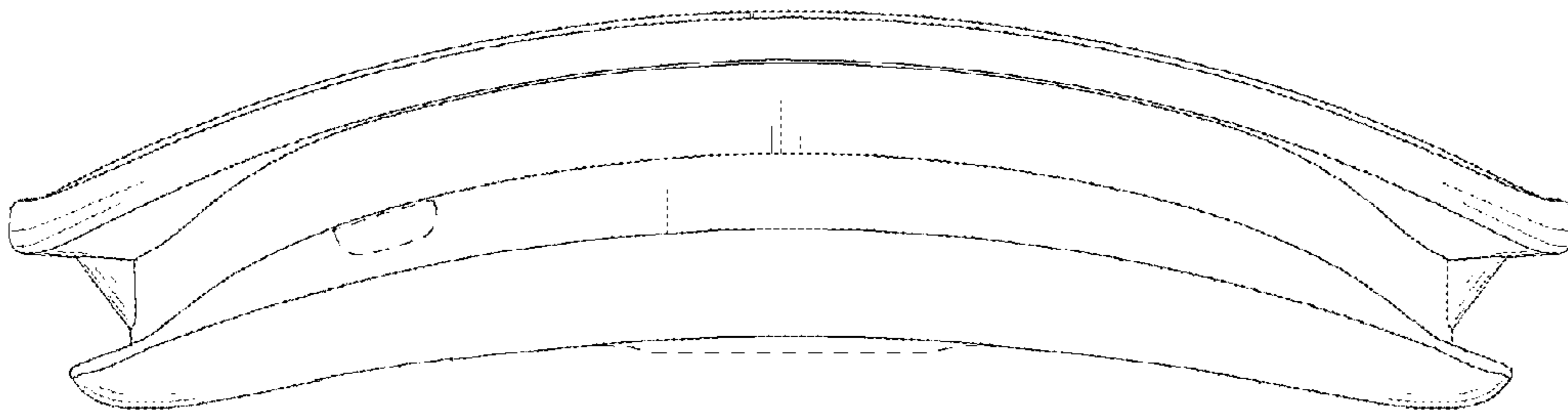
**Fig. 3**



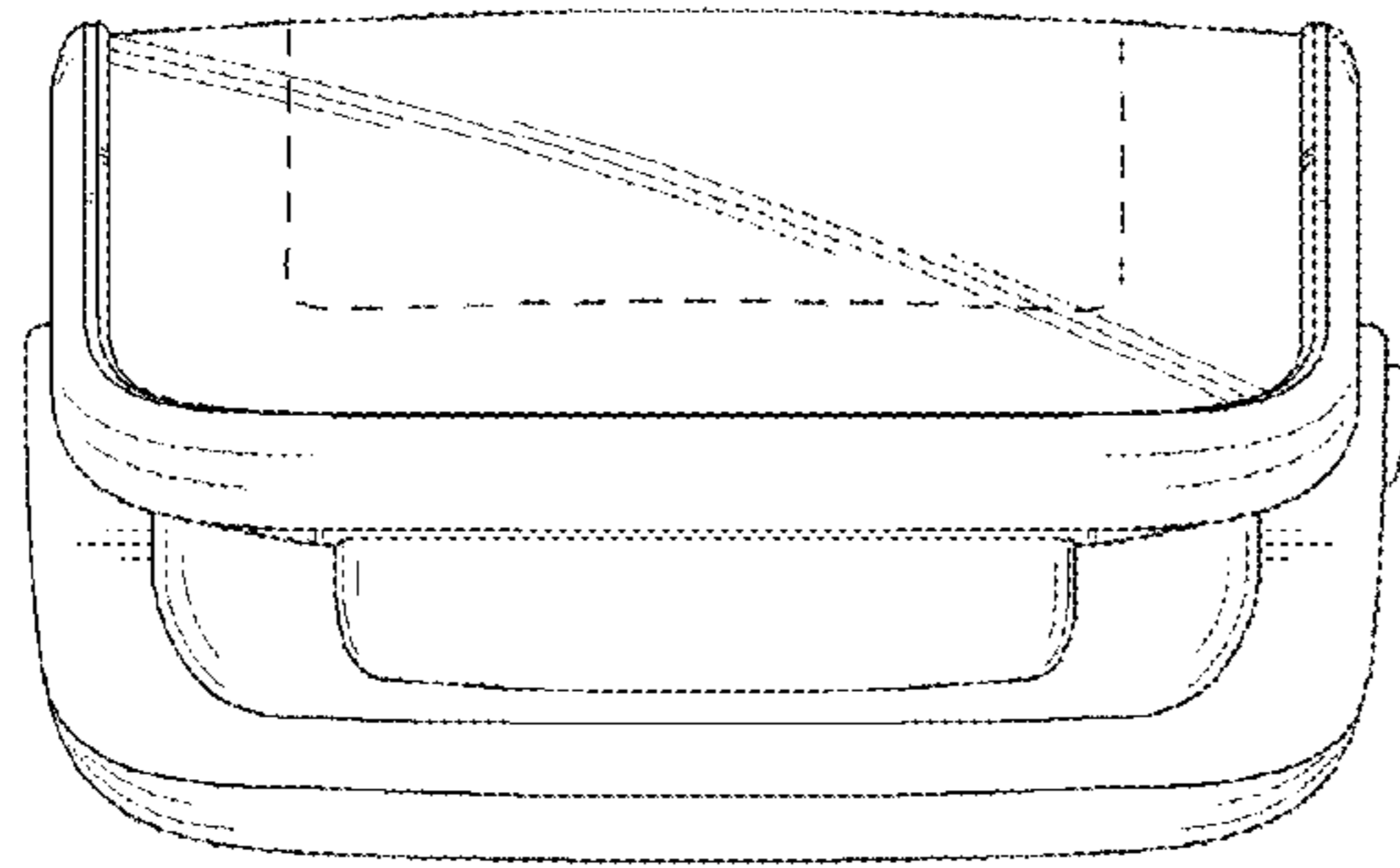
**Fig. 4**



**Fig. 5**



**Fig. 6**



**Fig. 7**

