



US00D745867S

(12) **United States Design Patent**
Hochman et al.

(10) **Patent No.:** **US D745,867 S**
(45) **Date of Patent:** **** Dec. 22, 2015**

- (54) **RACK MOUNT SERVER**
- (71) Applicant: **Revolution Display, LLC**, Glendale, CA (US)
- (72) Inventors: **Jeremy Hochman**, Los Angeles, CA (US); **Kyle Sturm**, Freeland, PA (US); **Ritchie Argue**, Los Angeles, CA (US)
- (73) Assignee: **Revolution Display, LLC**, Glendale, CA (US)

D349,503	S	*	8/1994	Roy	D13/184
5,398,161	A	*	3/1995	Roy	H05K 7/20545 361/679.01
D404,396	S	*	1/1999	Mackie	D13/110
D410,653	S		6/1999	Roy et al.		
6,088,224	A	*	7/2000	Gallagher	G06F 1/184 165/104.33
D447,483	S		9/2001	Wu		
6,373,695	B1	*	4/2002	Cheng	G06F 1/184 312/223.1
D467,227	S		12/2002	Lee		
7,864,523	B2	*	1/2011	Iwakiri	H05K 7/20727 361/679.46

(**) Term: **15 Years**

(21) Appl. No.: **29/541,225**

(22) Filed: **Oct. 1, 2015**

(51) **LOC (10) Cl.** **14-02**

(52) **U.S. Cl.**
USPC **D14/313**

(58) **Field of Classification Search**
USPC D14/240, 300, 301, 308, 313, 314,
D14/348-356, 364-368, 441-446, 188;
D13/123, 158, 162, 184, 199;
312/223.1-223.3, 351.11;
360/99.01-99.12; 369/34.01-36.01;
361/679.31-679.33, 679.37, 679.39,
361/679.46, 679.53, 679.4, 679.41, 727
CPC G06F 1/20; G06F 1/181; G06F 1/187;
G06F 1/183; G06F 1/184; H05K 7/16;
H05K 7/1424; H05K 7/1409; H05K 7/20;
H05K 7/20545; H05K 7/20727; H05H 7/20;
G11B 33/126; G11B 33/128
See application file for complete search history.

(56) **References Cited**

U.S. PATENT DOCUMENTS

D211,948	S	*	8/1968	Worrall	126/18
4,012,089	A	*	3/1977	Ward	H05K 7/1421 312/236
D263,395	S	*	3/1982	Karas	D13/162
4,690,286	A	*	9/1987	Horne	H05K 7/1424 211/26
D338,671	S	*	8/1993	Ito	D14/157

(Continued)

OTHER PUBLICATIONS

http://www.soundonsound.com/sos/aug07/articles/pcmusician_0807.htm (Last viewed Oct. 1, 2015).

(Continued)

Primary Examiner — Freda S Nunn

(74) *Attorney, Agent, or Firm* — Downs Rachlin Martin PLLC

(57) **CLAIM**

The ornamental design for a rack mount processor, as shown and described.

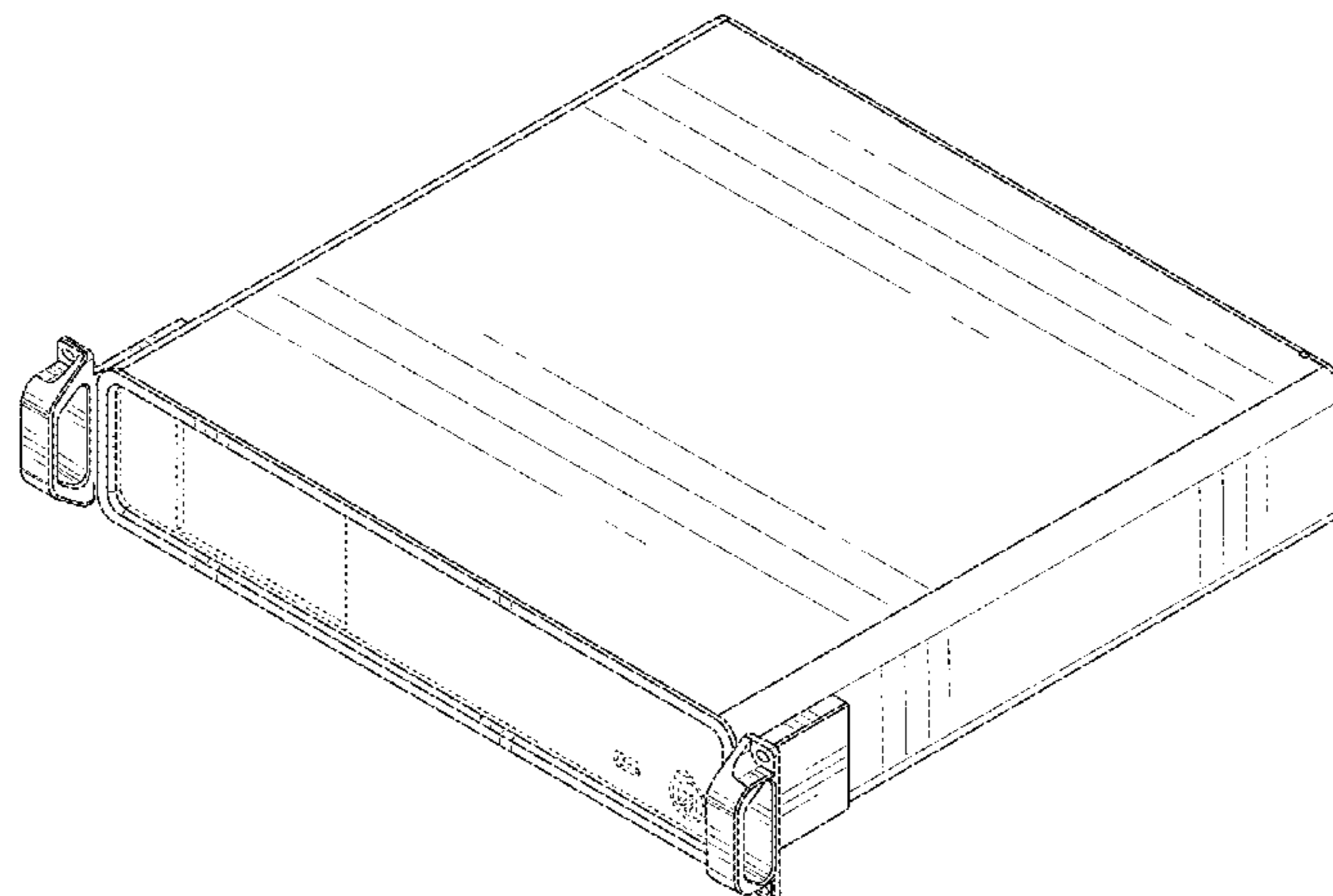
DESCRIPTION

FIG. 1 is a front perspective view of a rack mount processor showing our new design;
FIG. 2 is a rear perspective view thereof;
FIG. 3 is a front view thereof;
FIG. 4 is a rear view thereof;
FIG. 5 is a side view thereof;
FIG. 6 is a second side view thereof;
FIG. 7 is a top view thereof; and
FIG. 8 is a bottom view thereof.

The broken lines in the figures illustrate unclaimed portions of the rack mount processor and form no part of the claimed design, the shade lines show contour and not surface ornamentation.

The shade lines in the Figures show contour and not surface ornamentation.

1 Claim, 6 Drawing Sheets



(56)

References Cited

U.S. PATENT DOCUMENTS

D675,160 S * 1/2013 Tanaka D13/110
D680,970 S * 4/2013 Wong D13/158

OTHER PUBLICATIONS

<http://www.quantaqct.com/Product/Servers/Rackmount-Servers/GPGPU-Xeon-Phi/STRATOS-S210-X2A2J-p19c77c70c83c184>
(Last viewed Oct. 1, 2015).
http://evanwan.diytrade.com/sdp/436022/4/pd-2435900/3182948-1455527/4U_Rack_Mount_LCD_Industrial_Workstation_AWT-1280.html (Last viewed Oct. 1, 2015).

http://www.bombayharbor.com/Product/51188/2u_Rack_Mount_Server_Case.html (Last viewed Oct. 1, 2015).
<http://gadgets.boingboing.net/2007/09/06/alienware-rackmount.html> (Last viewed Oct. 1, 2015).
http://www.diytrade.com/china/pd/3217571/R31611_3U_Rack_mount_Server_Case_Chassis.html (Last viewed Oct. 1, 2015).
<http://www.norcotek.com/product/rpc-4224/> (Last viewed Oct. 1, 2015).
<http://www.qct.io/Product/Server/Rackmount-Server/STRATOS-S210-X2A2J-p19c77c70c83> (Last viewed Oct. 1, 2015).

* cited by examiner

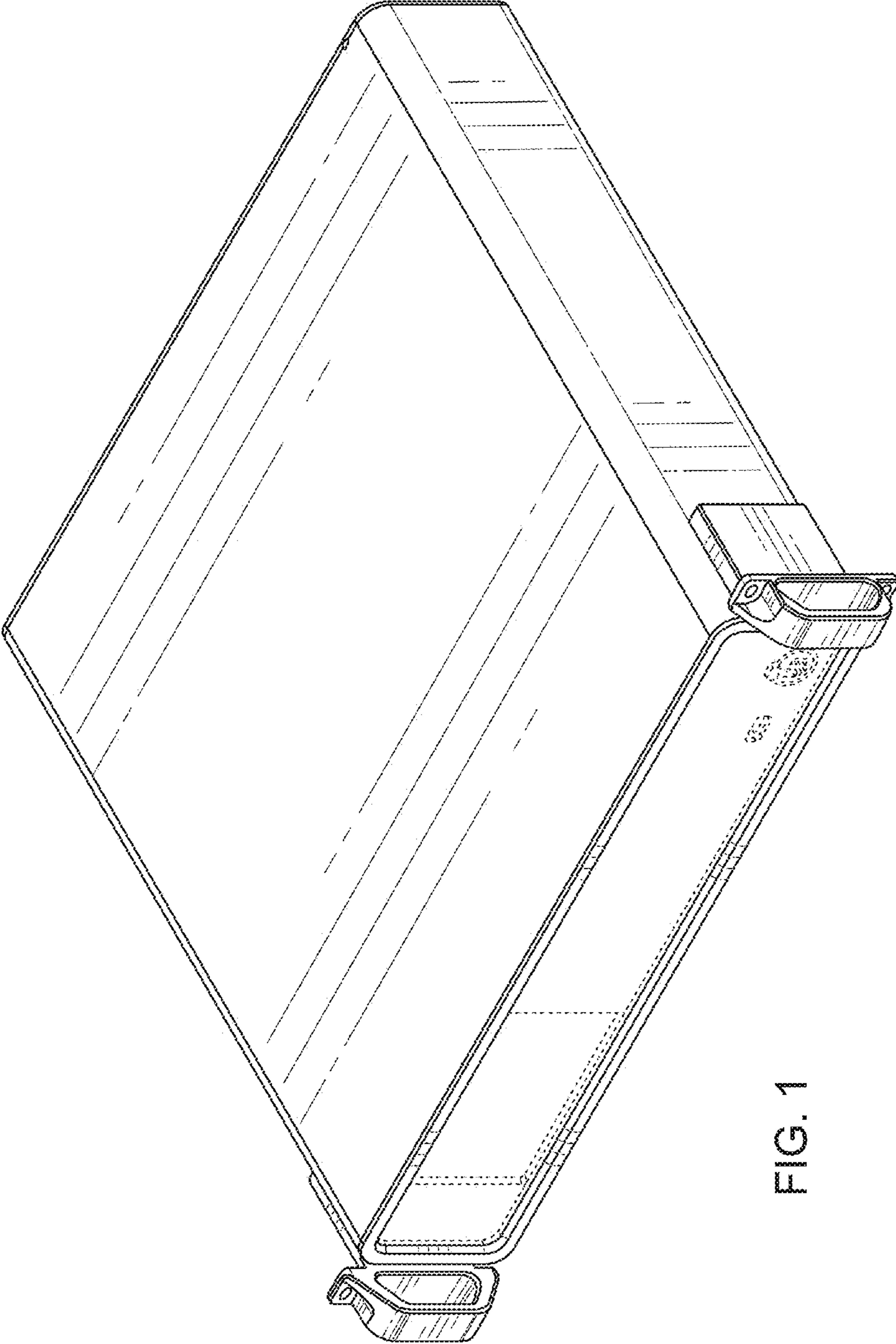


FIG. 1

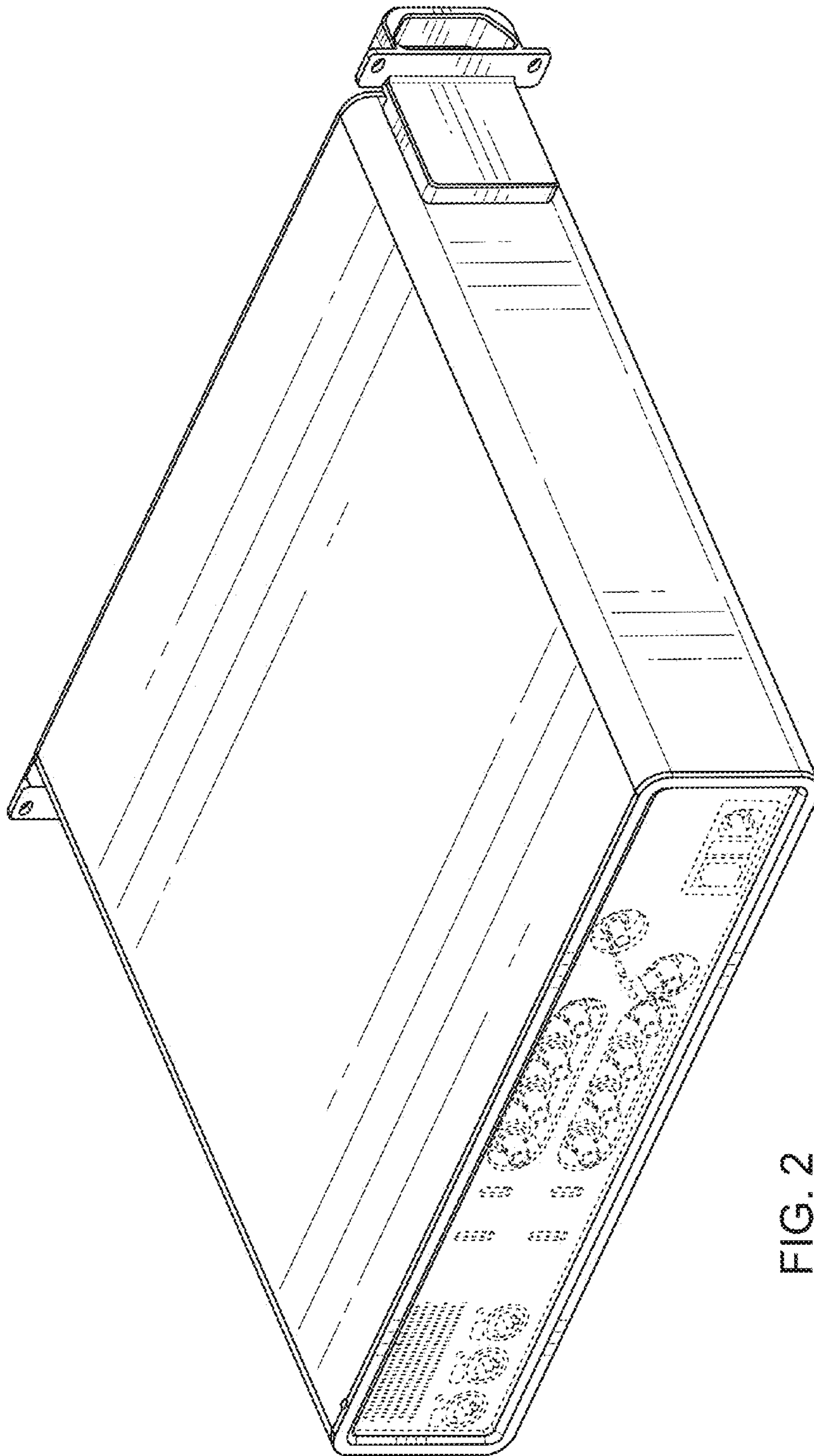


FIG. 2

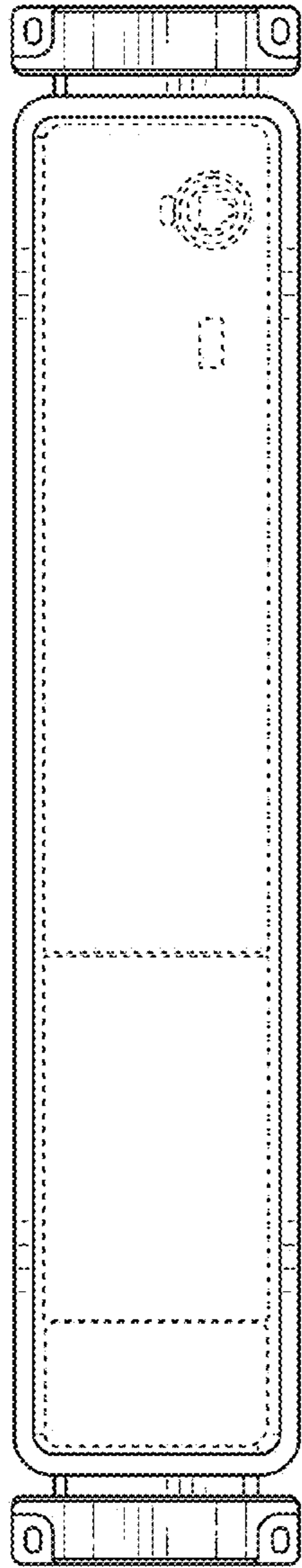


FIG. 3

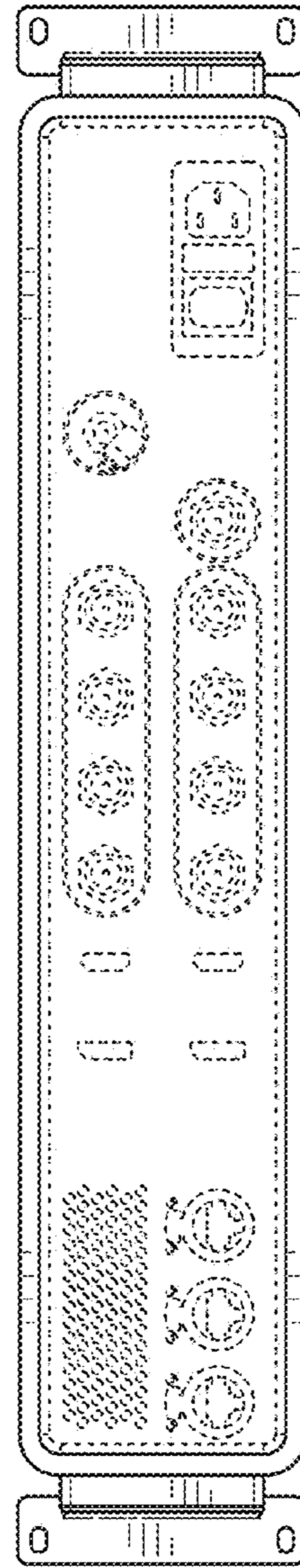


FIG. 4

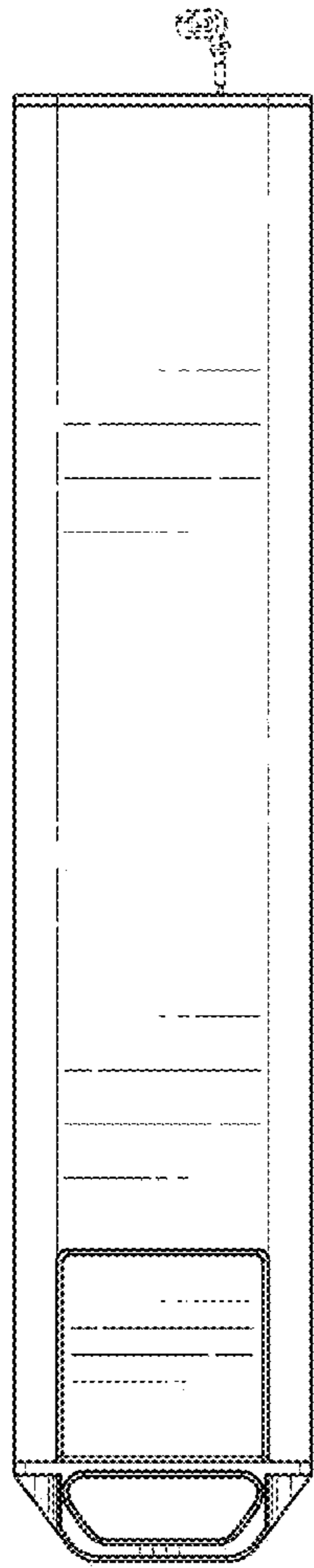


FIG. 5

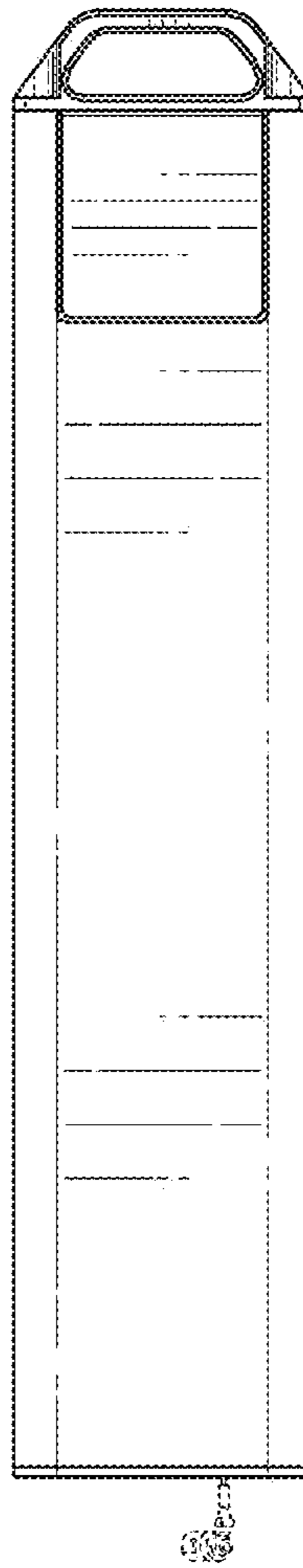


FIG. 6

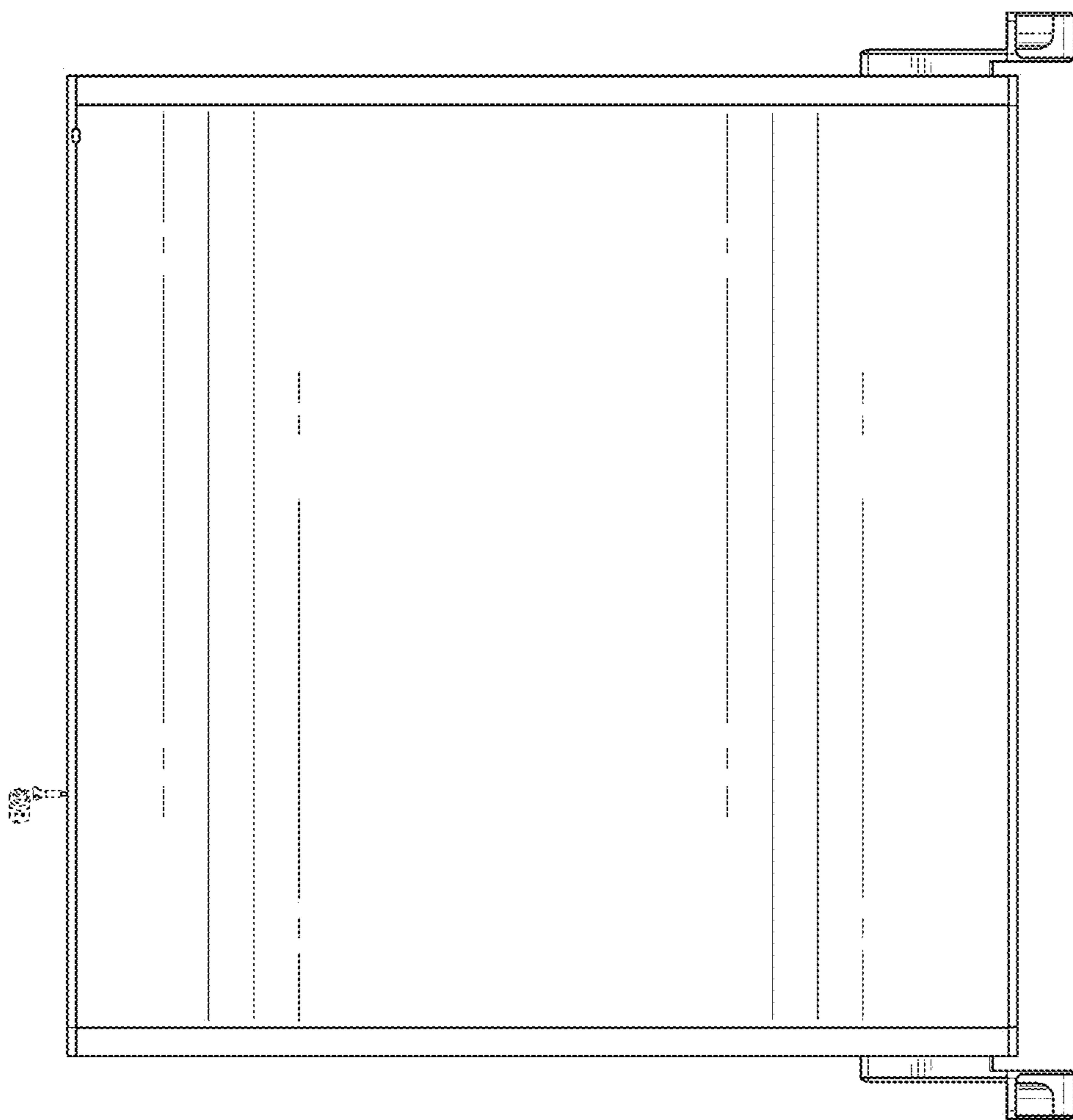


FIG. 7

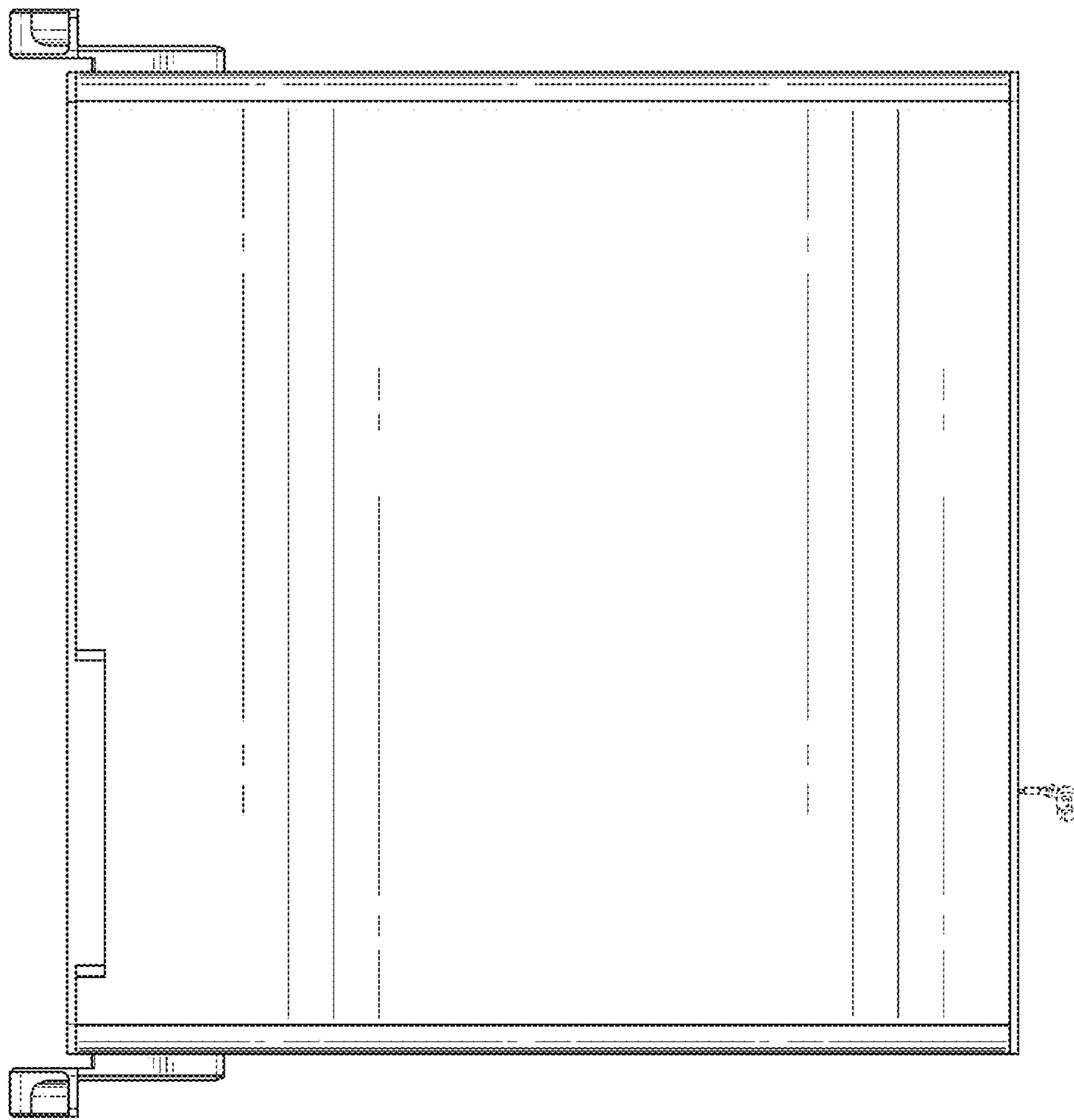


FIG. 8

UNITED STATES PATENT AND TRADEMARK OFFICE
CERTIFICATE OF CORRECTION

PATENT NO. : D745,867 S
APPLICATION NO. : 29/541225
DATED : December 22, 2015
INVENTOR(S) : Hochman et al.

Page 1 of 1

It is certified that error appears in the above-identified patent and that said Letters Patent is hereby corrected as shown below:

On The Title Page, Item (54) In the Title "Server" should read -- Processor --

In The Description, Delete the last sentence "The shade lines in the Figures show contour and not surface ornamentation."

Signed and Sealed this
Eighth Day of March, 2016



Michelle K. Lee
Director of the United States Patent and Trademark Office