



US00D745864S

(12) **United States Design Patent**
Jung et al.

(10) **Patent No.:** **US D745,864 S**

(45) **Date of Patent:** **** Dec. 22, 2015**

(54) **STAND FOR TELEVISION**

(56) **References Cited**

(71) Applicant: **Samsung Electronics Co., Ltd.**,
Suwon-si, Gyeonggi-do (KR)
(72) Inventors: **So Young Jung**, Incheon (KR); **Jae Hyung Kim**, Gwangju-si (KR); **Kyoung Hoon Kim**, Seongnam-si (KR)
(73) Assignee: **Samsung Electronics Co., Ltd.**,
Suwon-si (KR)

U.S. PATENT DOCUMENTS

D548,229	S	*	8/2007	Tanigawa et al.	D14/239
D626,924	S	*	11/2010	Miyaji	D14/126
D639,760	S	*	6/2011	Tierney et al.	D14/126
D671,084	S	*	11/2012	Kim et al.	D14/126
D689,033	S	*	9/2013	Hwangbo et al.	D14/126
D699,230	S	*	2/2014	Chen et al.	D14/239
D709,467	S	*	7/2014	Jiang et al.	D14/126
D709,470	S	*	7/2014	Ryu et al.	D14/126

* cited by examiner

Primary Examiner — Randall Gholson

(74) *Attorney, Agent, or Firm* — Ladas & Parry LLP

(**) Term: **14 Years**

(21) Appl. No.: **29/518,486**

(22) Filed: **Feb. 24, 2015**

(57) **CLAIM**

We claim the ornamental design for stand for television, as shown and described.

(30) **Foreign Application Priority Data**

Aug. 26, 2014 (KR) 30-2014-0041622

(51) **LOC (10) Cl.** **14-03**

(52) **U.S. Cl.**
USPC **D14/239**

(58) **Field of Classification Search**
USPC D14/125–134, 239, 371, 136, 374–377,
D14/440, 450, 448, 336, 342, 159; 312/7.2;
348/836, 838, 180, 184, 325, 739;
248/917–924, 465; 345/104, 133, 156,
345/168, 87, 173; D21/329, 515, 577, 622,
D21/333, 433, 448, 452, 450, 331, 505;
D10/15, 26; 446/484, 175, 356;
D6/477, 479, 300; D24/185; D34/14
CPC ... G06F 1/1601; G06F 1/1643; H05K 5/0004;
H05K 5/0017; H05K 5/02; H05K 5/0217
See application file for complete search history.

DESCRIPTION

FIG. 1 is the front perspective view of stand for television showing our new design;
FIG. 2 is the front view thereof;
FIG. 3 is the rear view thereof;
FIG. 4 is the left-side view thereof;
FIG. 5 is the right-side view thereof;
FIG. 6 is the top plan view thereof;
FIG. 7 is the bottom plan view thereof;
FIG. 8 is the rear perspective view thereof; and,
FIG. 9 is the front perspective view thereof shown in an example environment.
The broken lines in the drawing show unclaimed environment only and form no part of the claimed design.

1 Claim, 7 Drawing Sheets

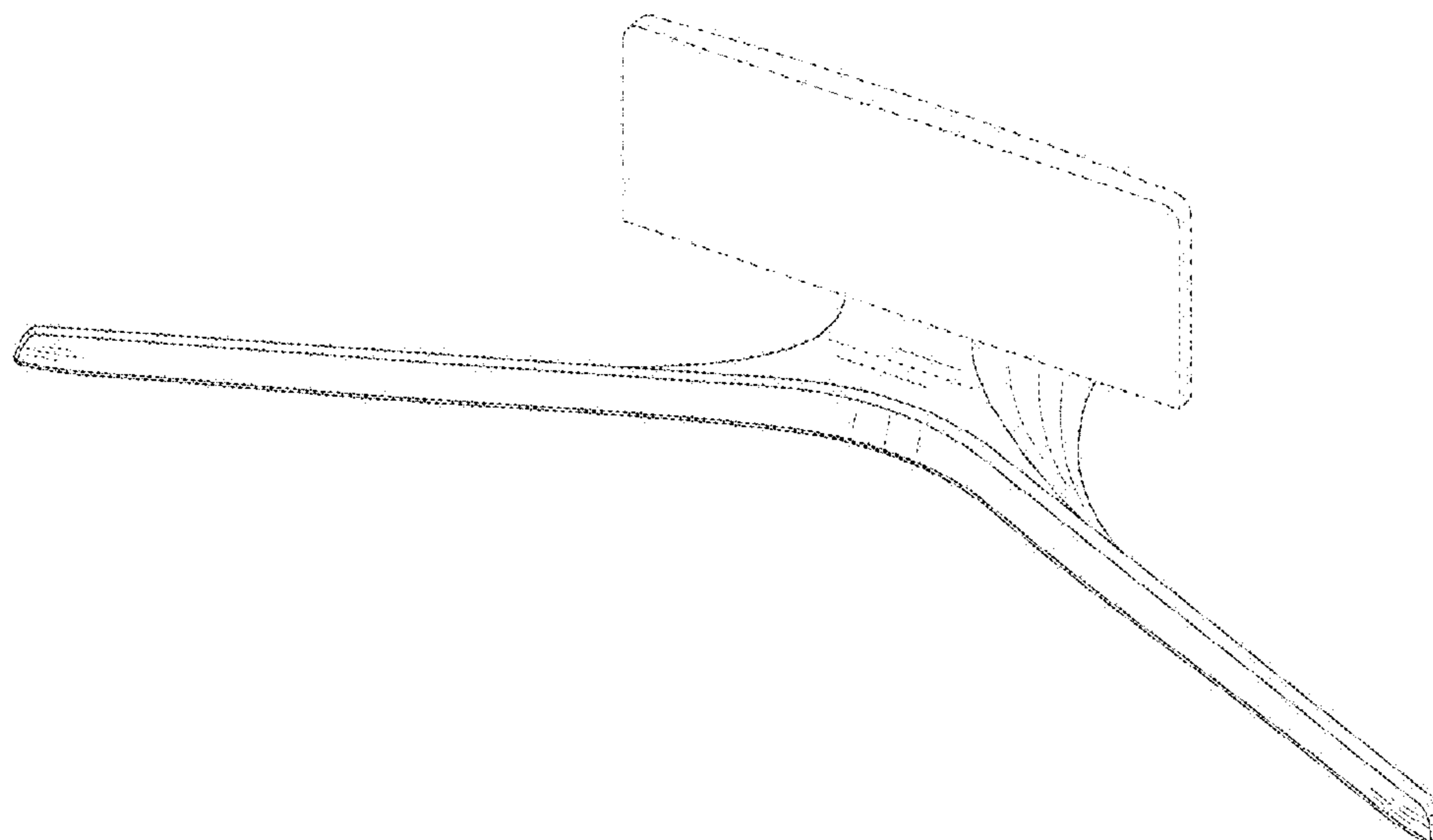


Fig. 1

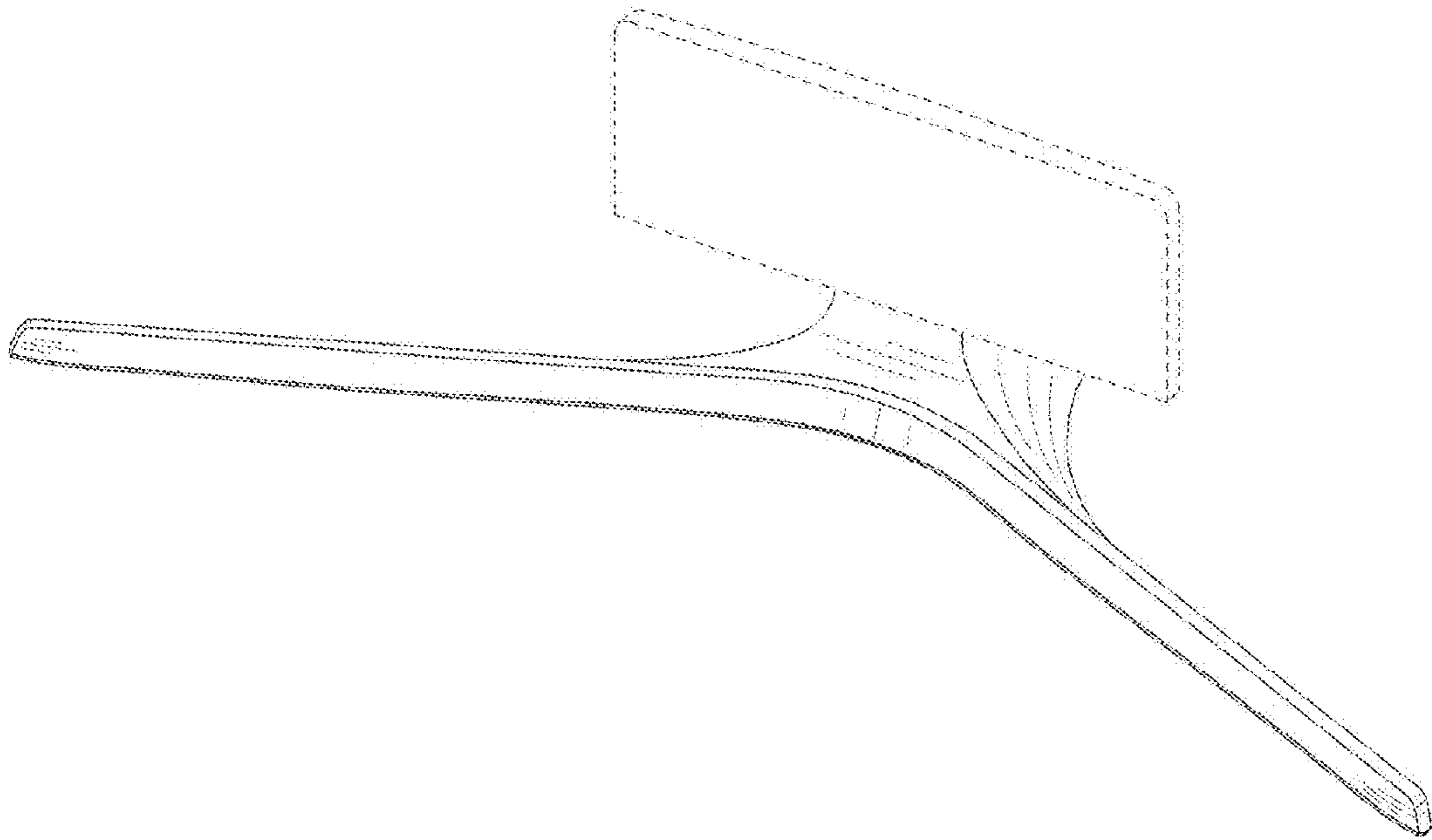


Fig. 2

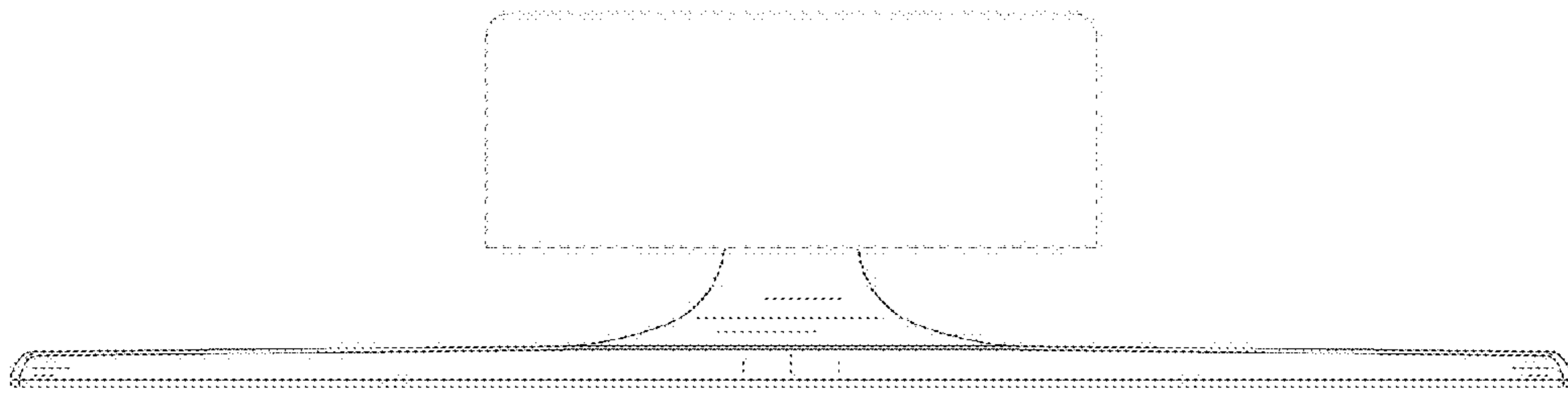


Fig. 3

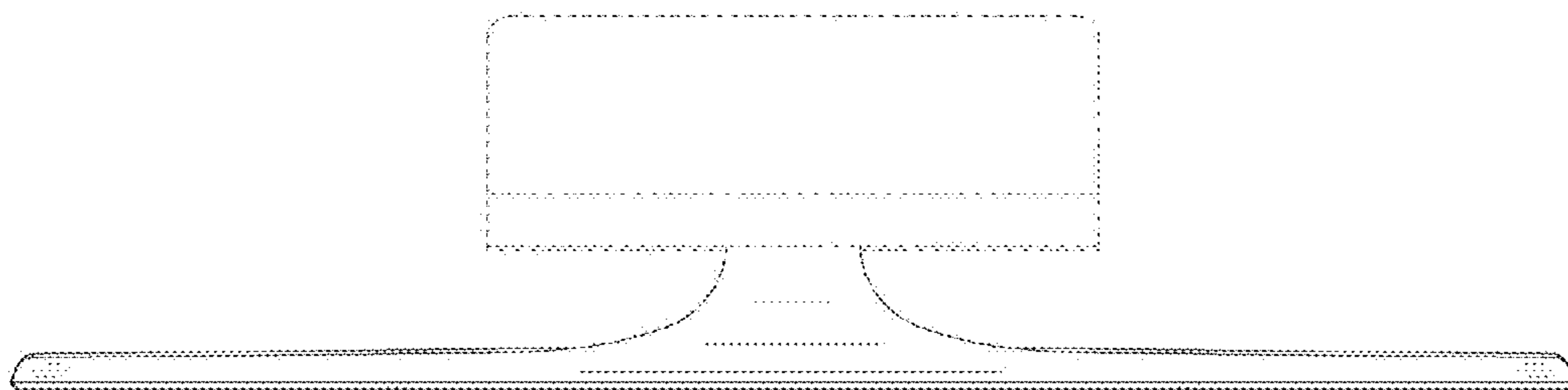


Fig. 4

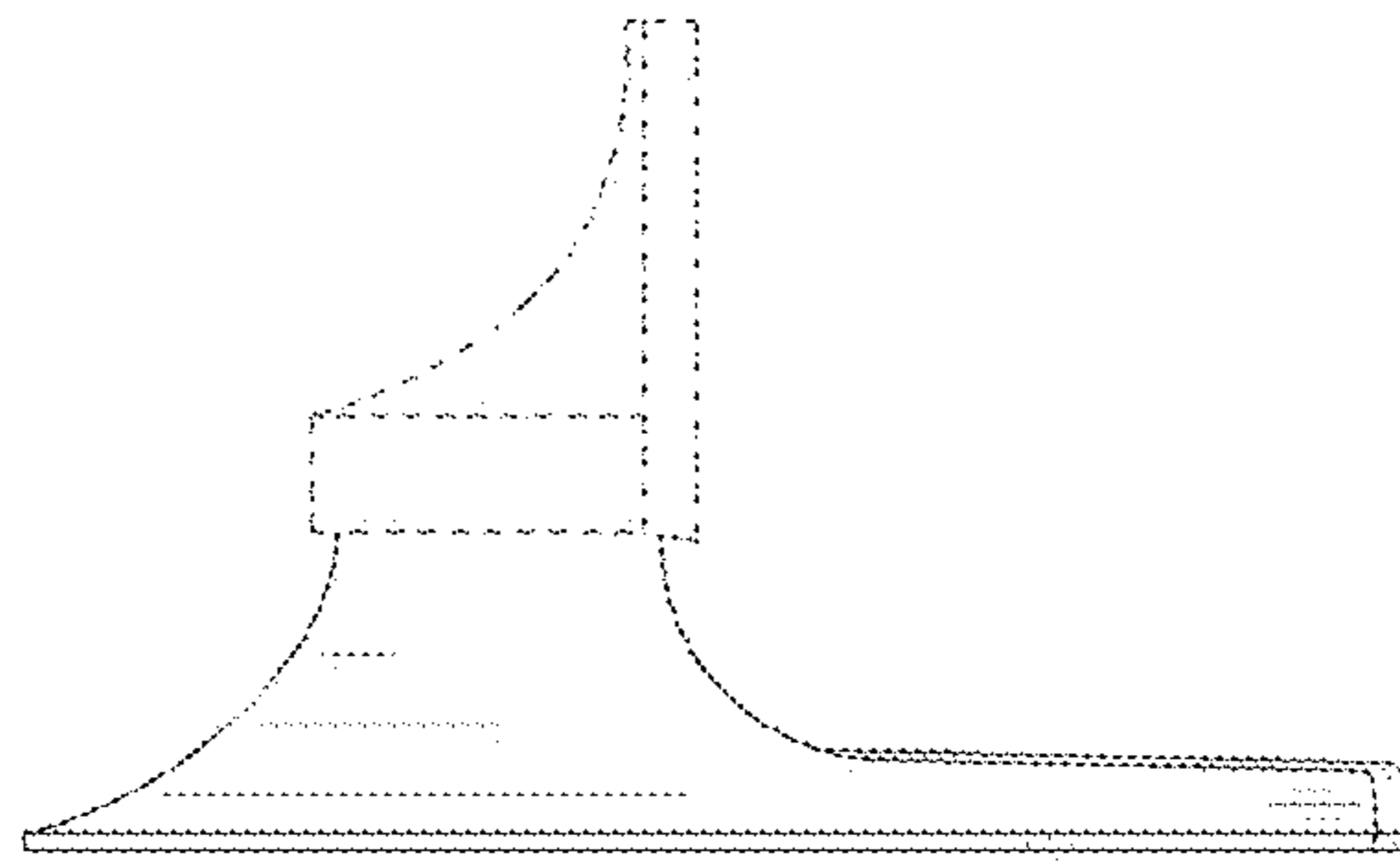


Fig. 5

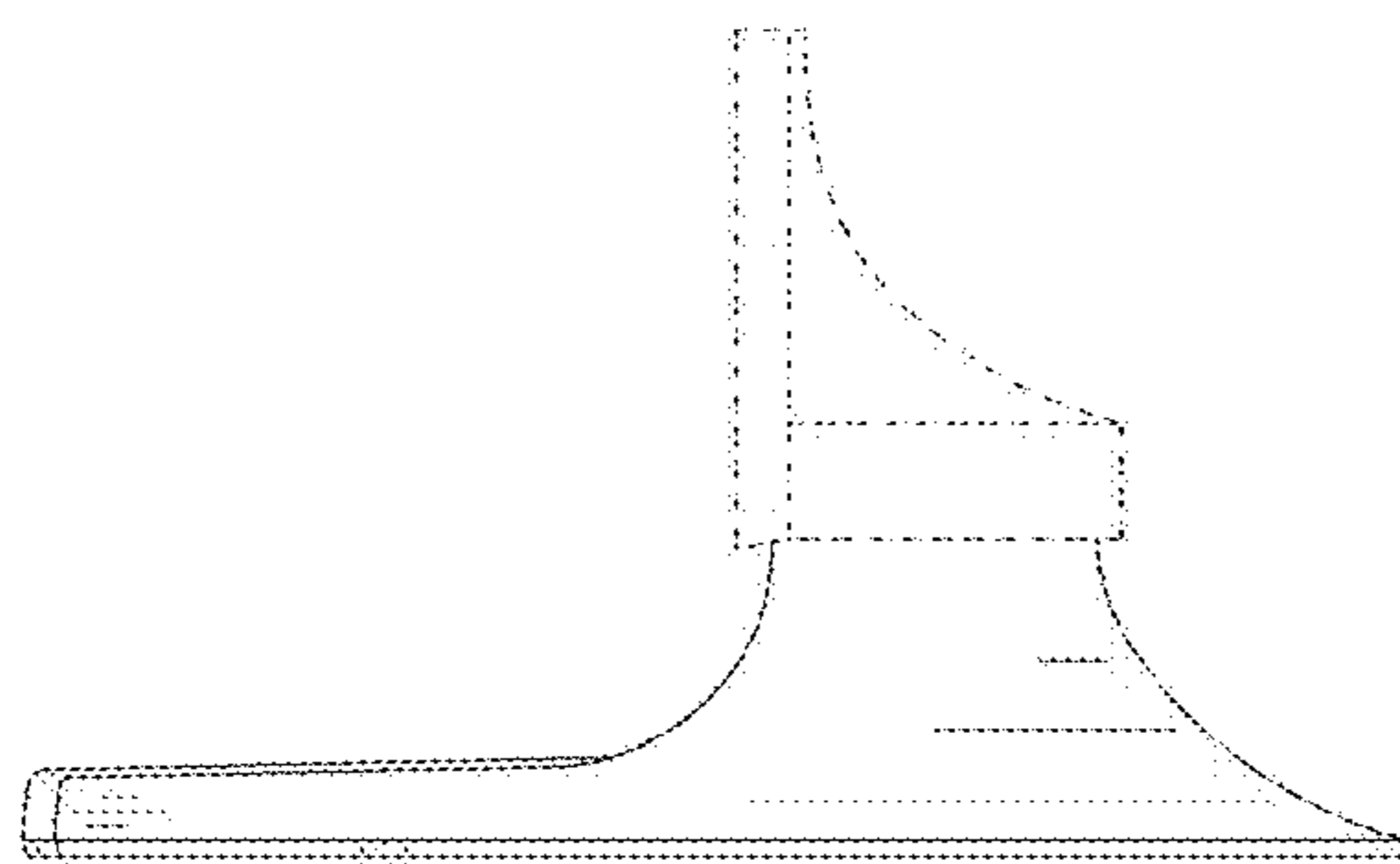


Fig. 6

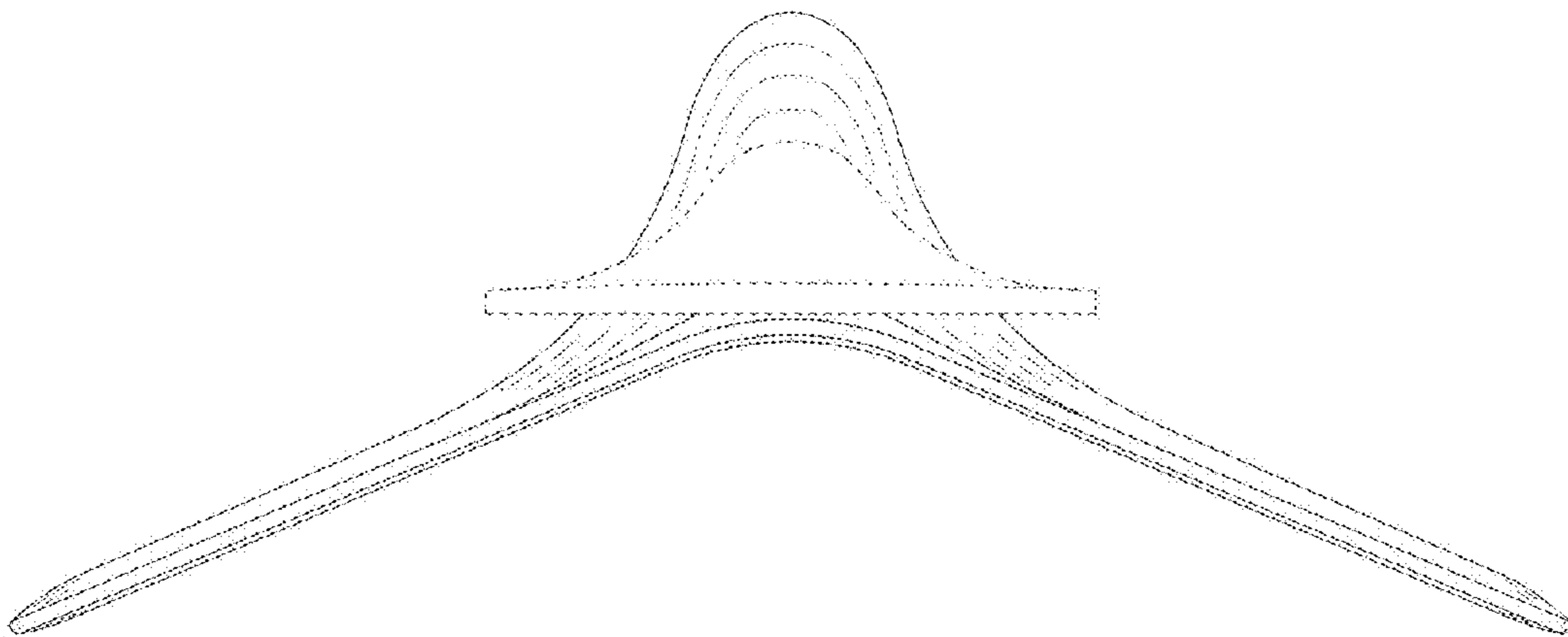


Fig. 7

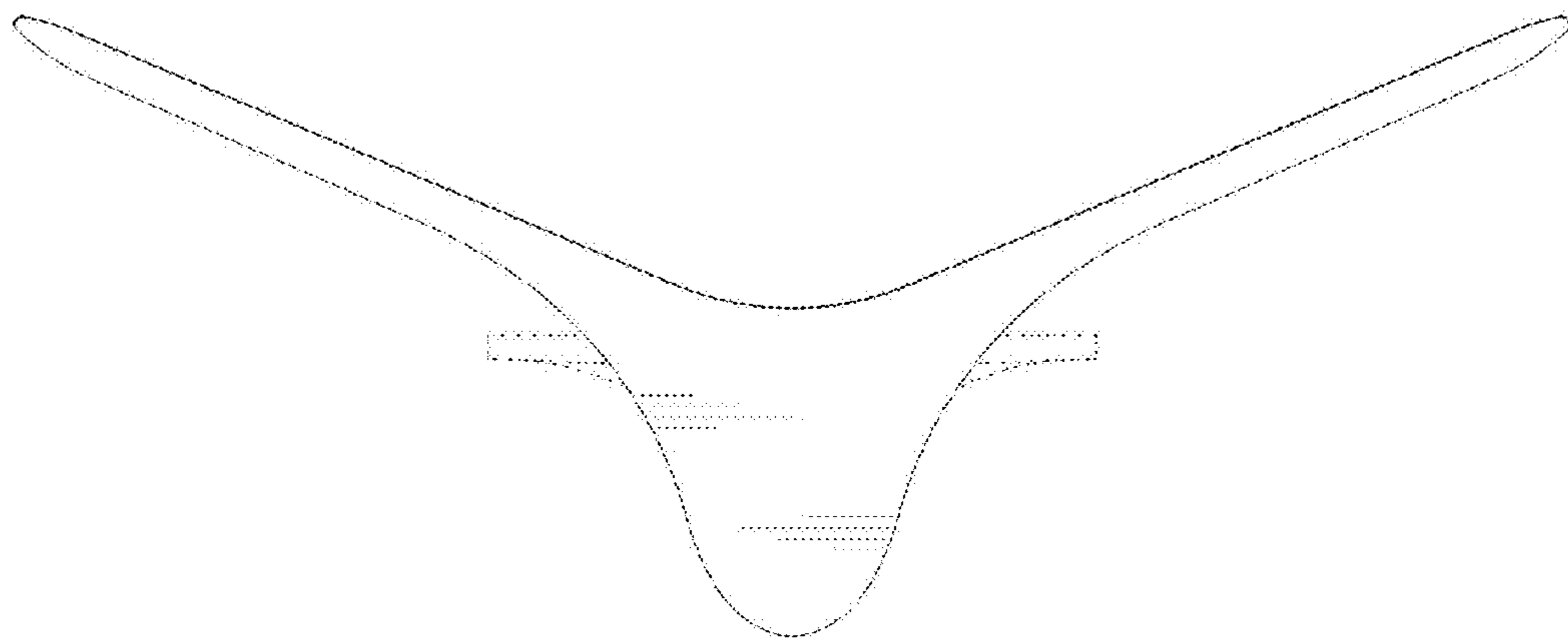


Fig. 8

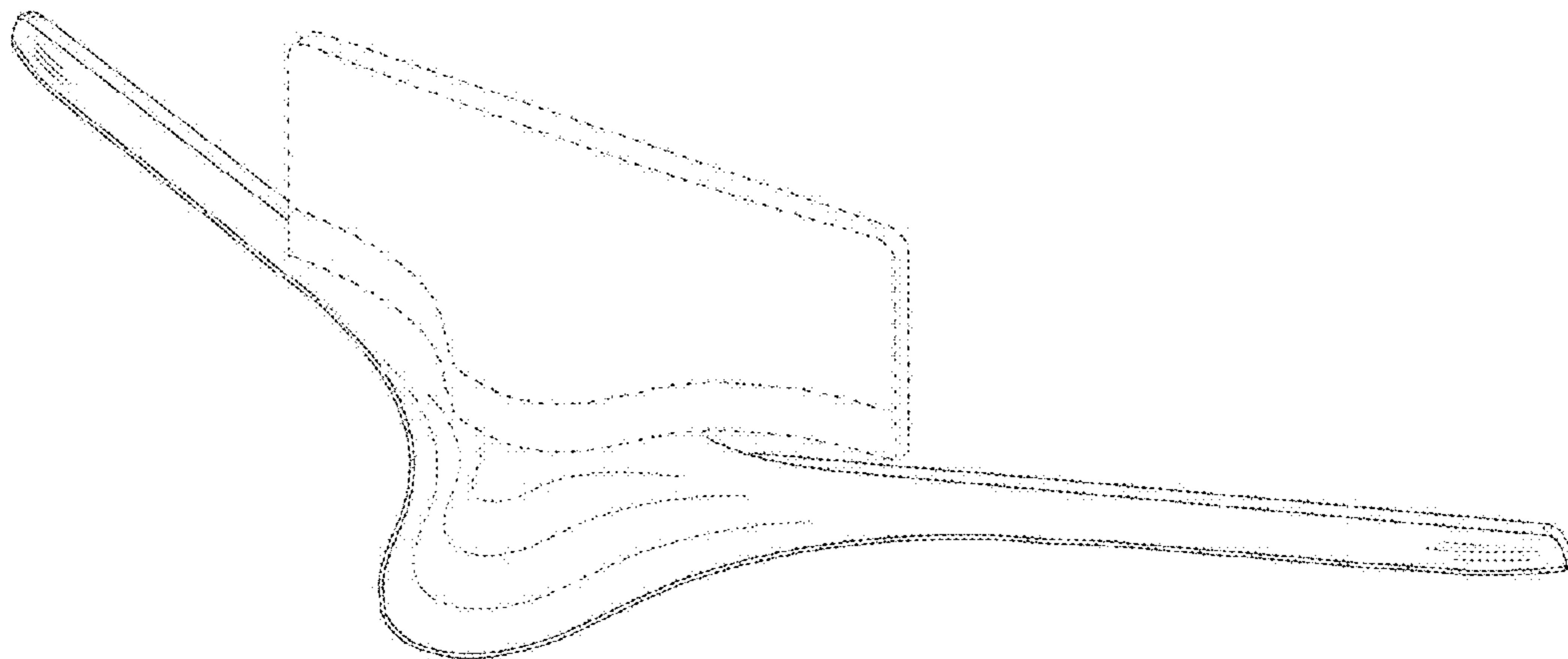


Fig. 9

