



US00D745863S

(12) **United States Design Patent**  
**Hardi**

(10) **Patent No.:** **US D745,863 S**

(45) **Date of Patent:** **\*\* Dec. 22, 2015**

(54) **INTERACTIVE SPORT EARBUD**

(71) Applicant: **Muzik LLC**, Miami Beach, FL (US)

(72) Inventor: **Jason Hardi**, Miami Beach, FL (US)

(73) Assignee: **Muzik LLC**, Miami Beach, FL (US)

(\*\*) Term: **14 Years**

(21) Appl. No.: **29/511,984**

(22) Filed: **Dec. 16, 2014**

(51) **LOC (10) Cl.** ..... **14-01**

(52) **U.S. Cl.**

USPC ..... **D14/223**

(58) **Field of Classification Search**

USPC ..... D14/223, 188, 192; 181/129, 130, 135;  
379/430, 431; 381/380, 381, 374;  
128/920

CPC ..... H04R 25/00

See application file for complete search history.

(56) **References Cited**

**U.S. PATENT DOCUMENTS**

D176,810 S *	1/1956	Norris	.....	D14/192
D177,346 S *	4/1956	Norris	.....	D14/192
3,426,747 A *	2/1969	Herman et al.	.....	600/503
3,572,316 A *	3/1971	Vogelman et al.	.....	600/484
D262,455 S *	12/1981	Bulmash et al.	.....	D14/192
4,419,770 A *	12/1983	Yagi et al.	.....	455/301
D282,020 S *	1/1986	Gwon	.....	D2/866
D284,080 S *	6/1986	Swezey et al.	.....	D14/192
4,682,363 A *	7/1987	Goldfarb et al.	.....	381/74
4,702,345 A *	10/1987	Janssen et al.	.....	181/129

4,727,599 A *	2/1988	Rappaport et al.	.....	455/351
D310,907 S *	10/1990	Mark	.....	D14/192
D344,523 S *	2/1994	Kanno	.....	D14/218
D384,790 S *	10/1997	Juergens	.....	D2/866
5,677,964 A *	10/1997	Sun	.....	381/385
5,680,465 A *	10/1997	Boyden	.....	381/309
D397,838 S *	9/1998	Waggoner et al.	.....	D2/629
5,881,161 A *	3/1999	Liu	.....	381/381
6,241,684 B1 *	6/2001	Amano et al.	.....	600/531
D472,890 S *	4/2003	Suzuki	.....	D14/223
7,013,018 B2 *	3/2006	Bogskov-Jensen	.....	381/381
8,498,679 B2 *	7/2013	Yu	.....	455/575.2
8,767,997 B2 *	7/2014	Fujiwara et al.	.....	381/381
8,854,060 B2 *	10/2014	Diebold et al.	.....	324/679

\* cited by examiner

*Primary Examiner* — Paula Greene

(74) *Attorney, Agent, or Firm* — Perkins Coie LLP

(57) **CLAIM**

The ornamental design for an interactive sport earbud, as shown and described.

**DESCRIPTION**

FIG. 1 is a perspective view of an embodiment of an interactive sport earbud showing our design.

FIG. 2 is a front view thereof.

FIG. 3 is a back view thereof.

FIG. 4 is a right side view thereof.

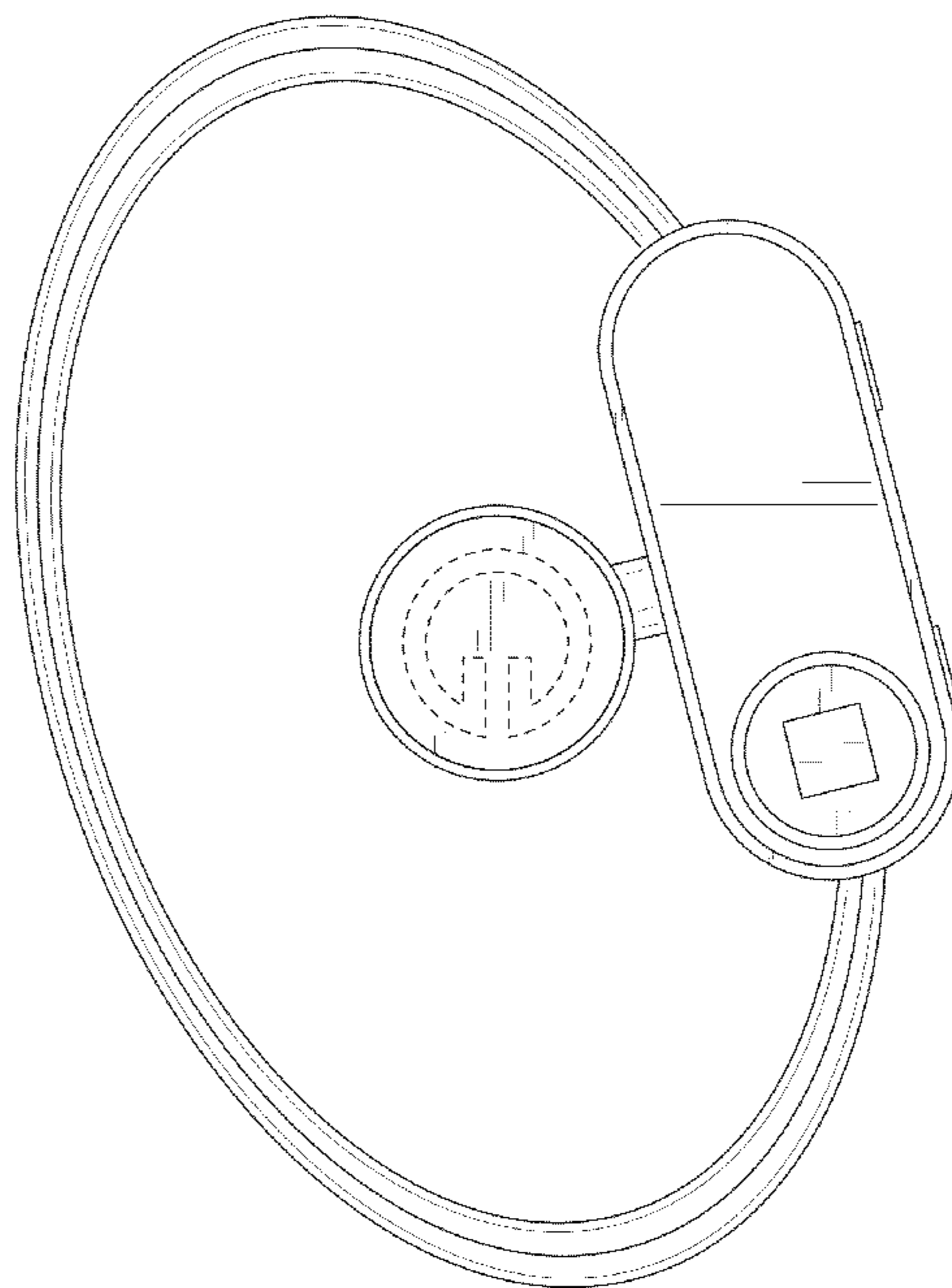
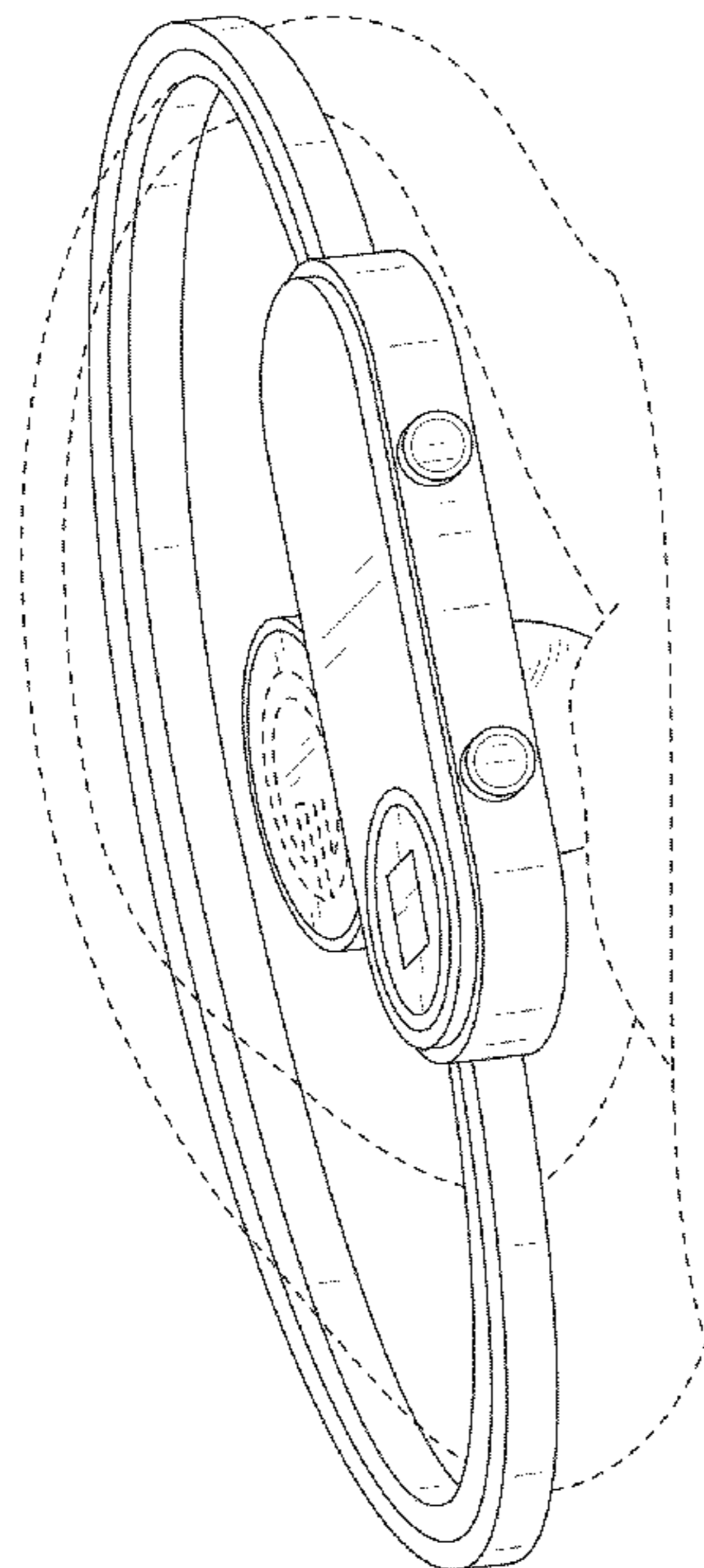
FIG. 5 is a left side view thereof.

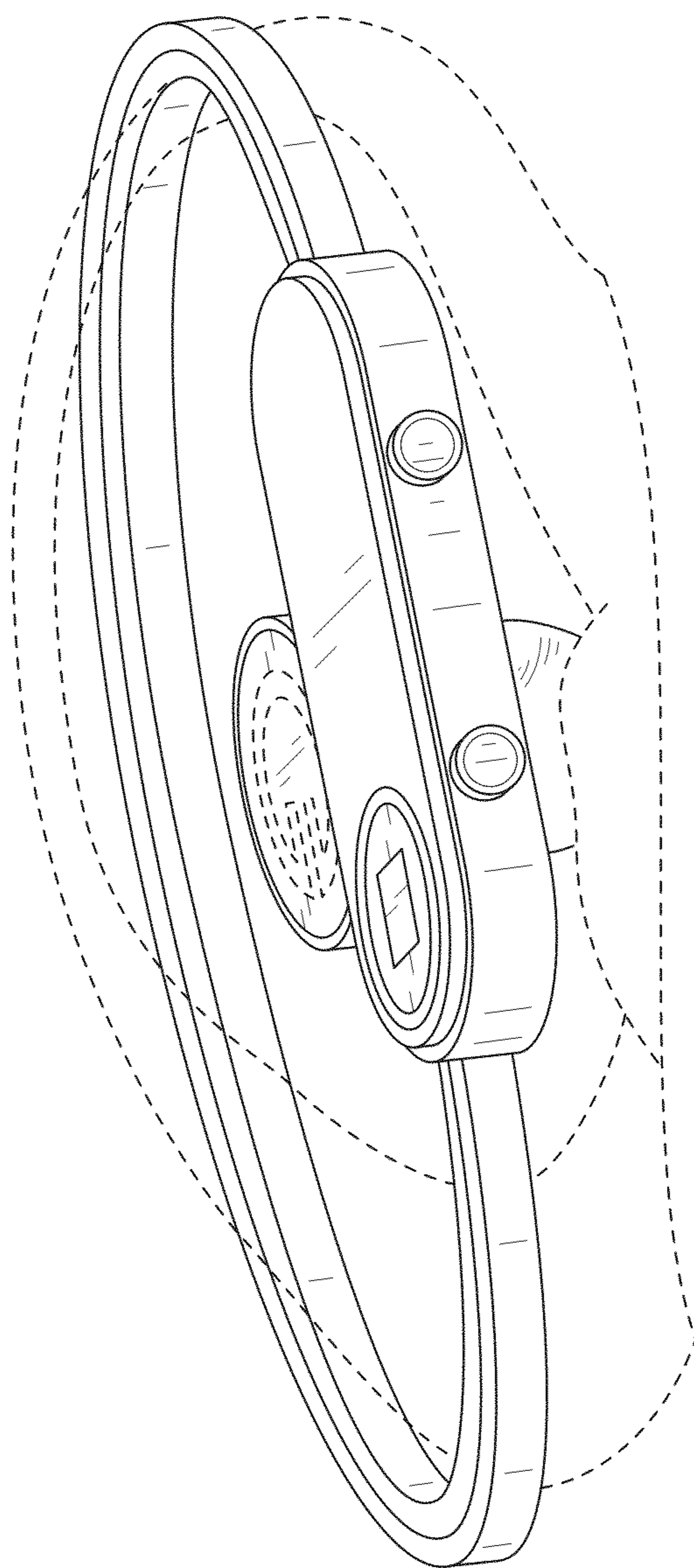
FIG. 6 is a top view thereof; and,

FIG. 7 is a bottom view thereof.

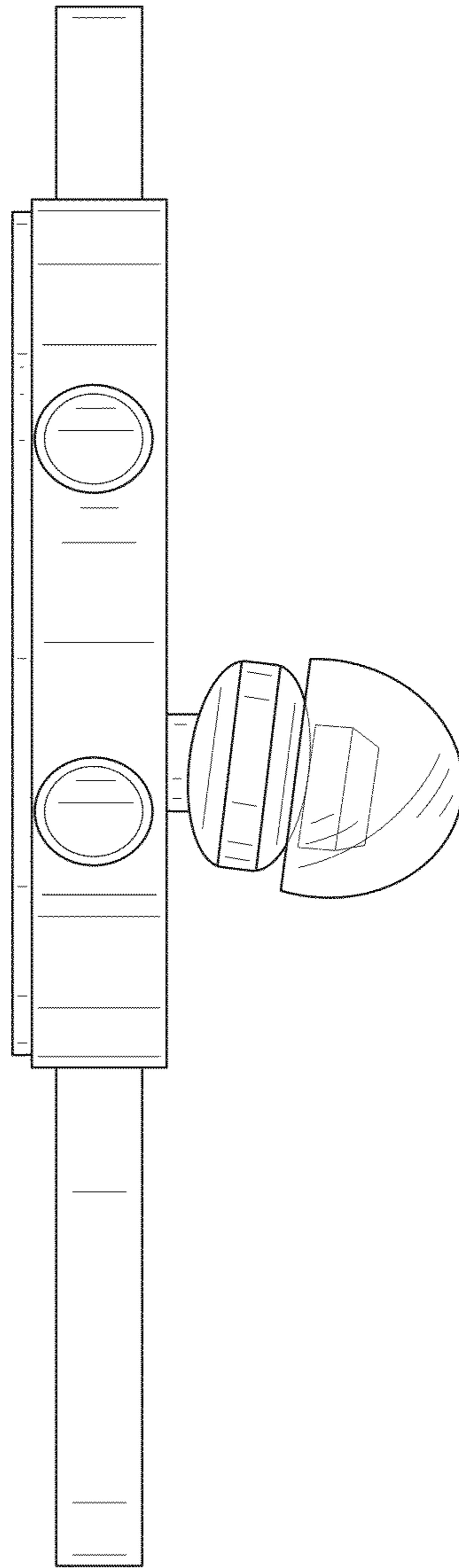
Elements identified in broken lines in the accompanying drawings form no part of the claimed invention.

**1 Claim, 7 Drawing Sheets**

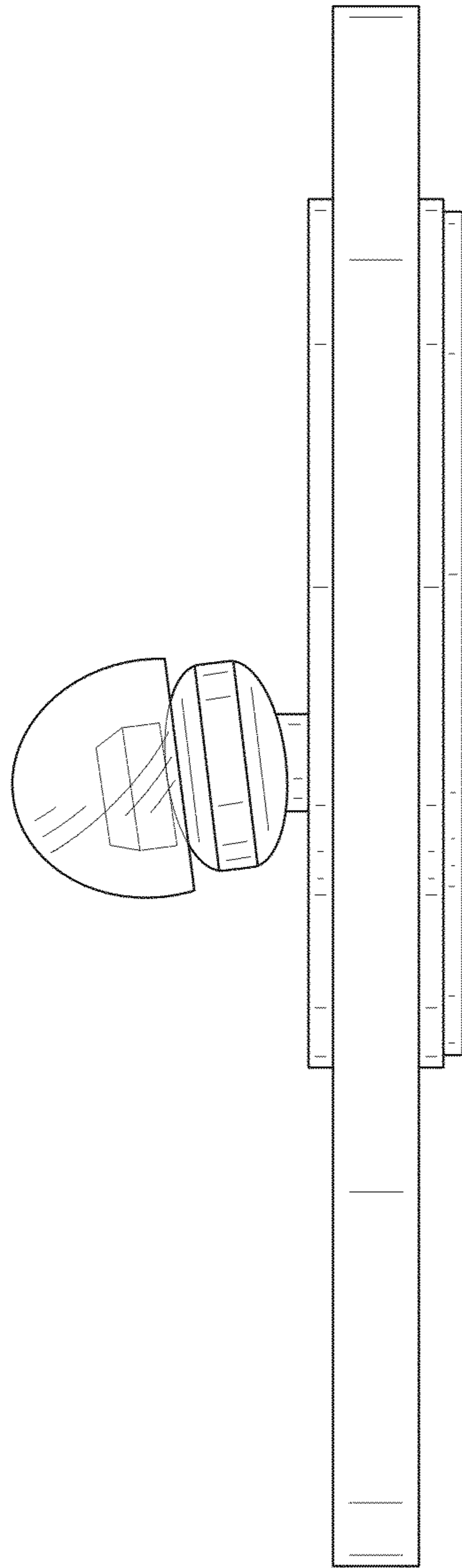




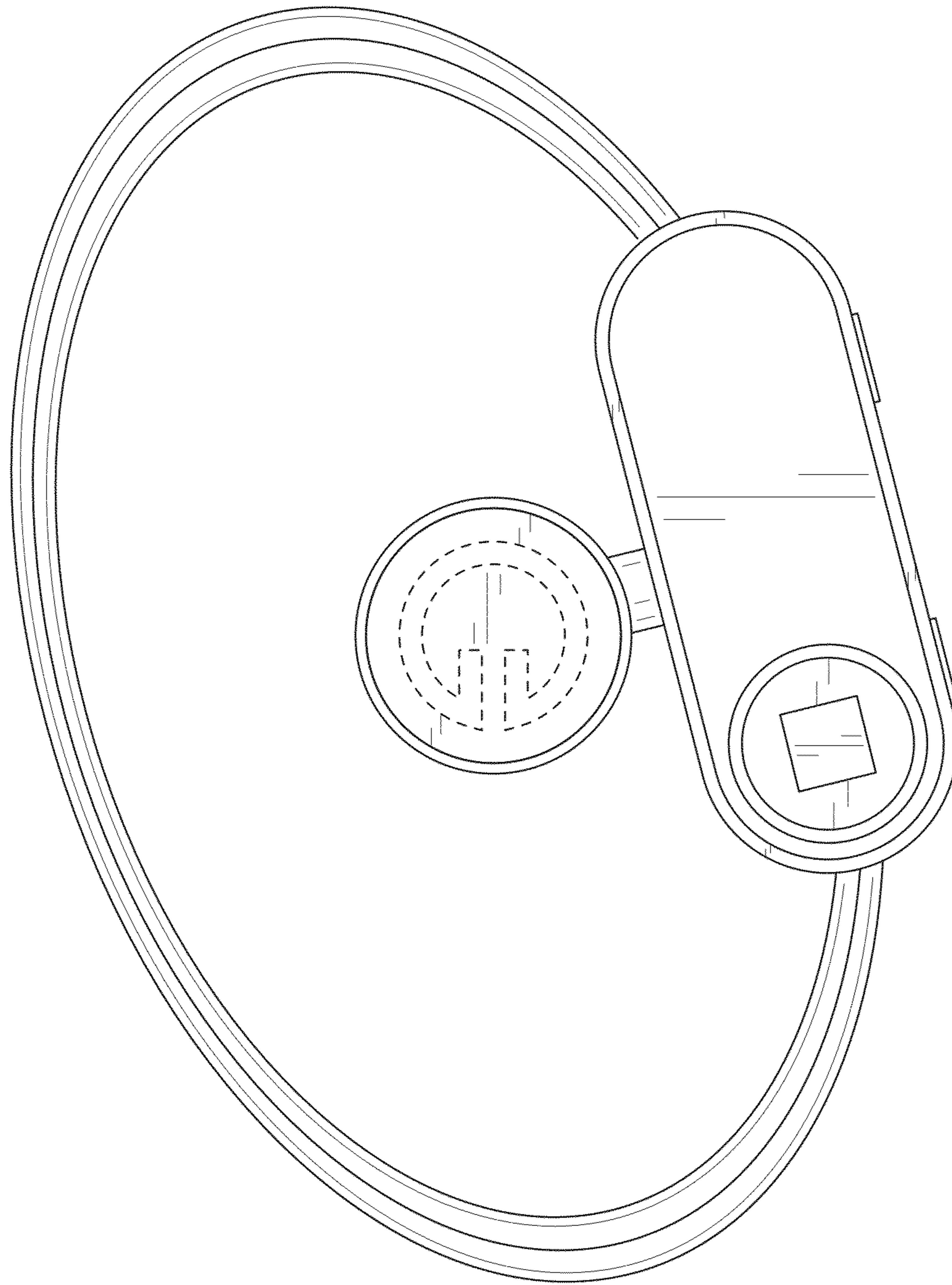
*Fig. 1*



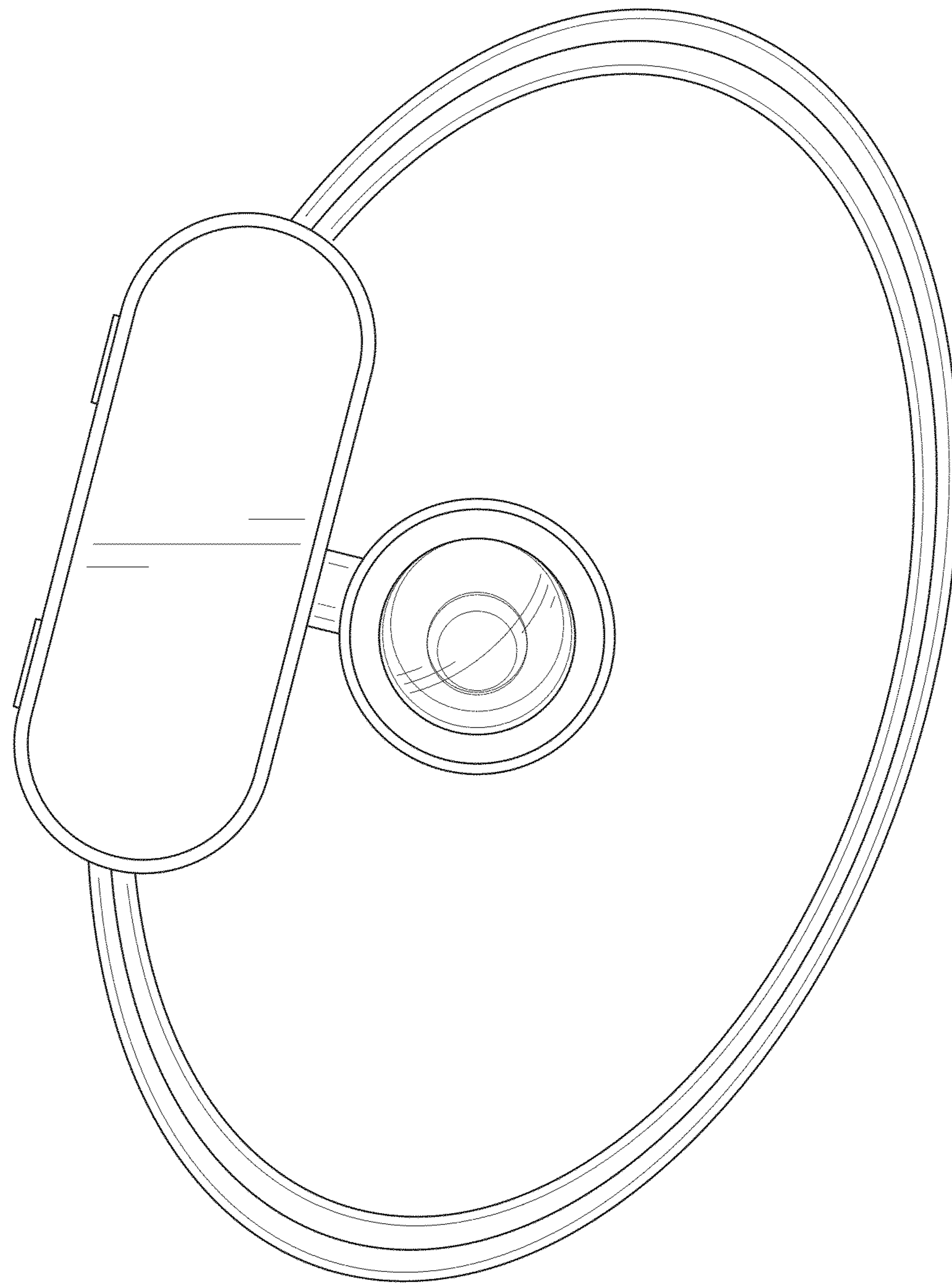
*Fig. 2*



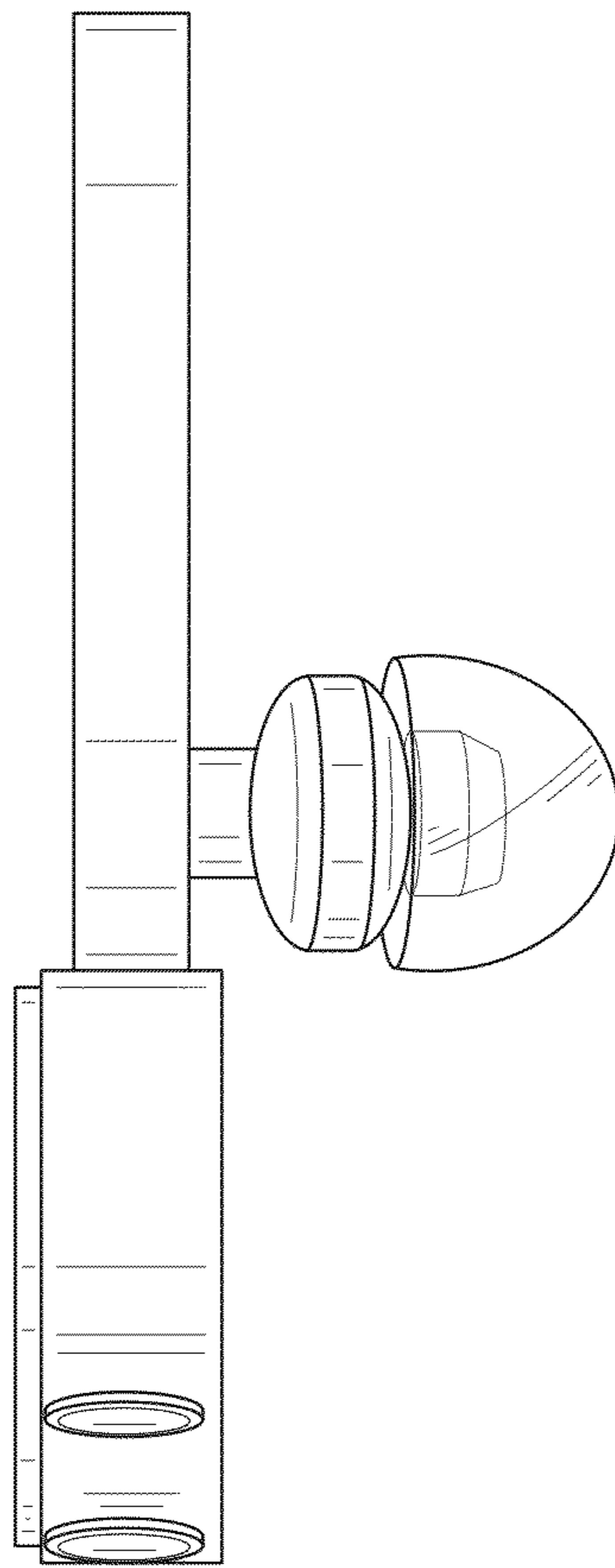
*Fig. 3*



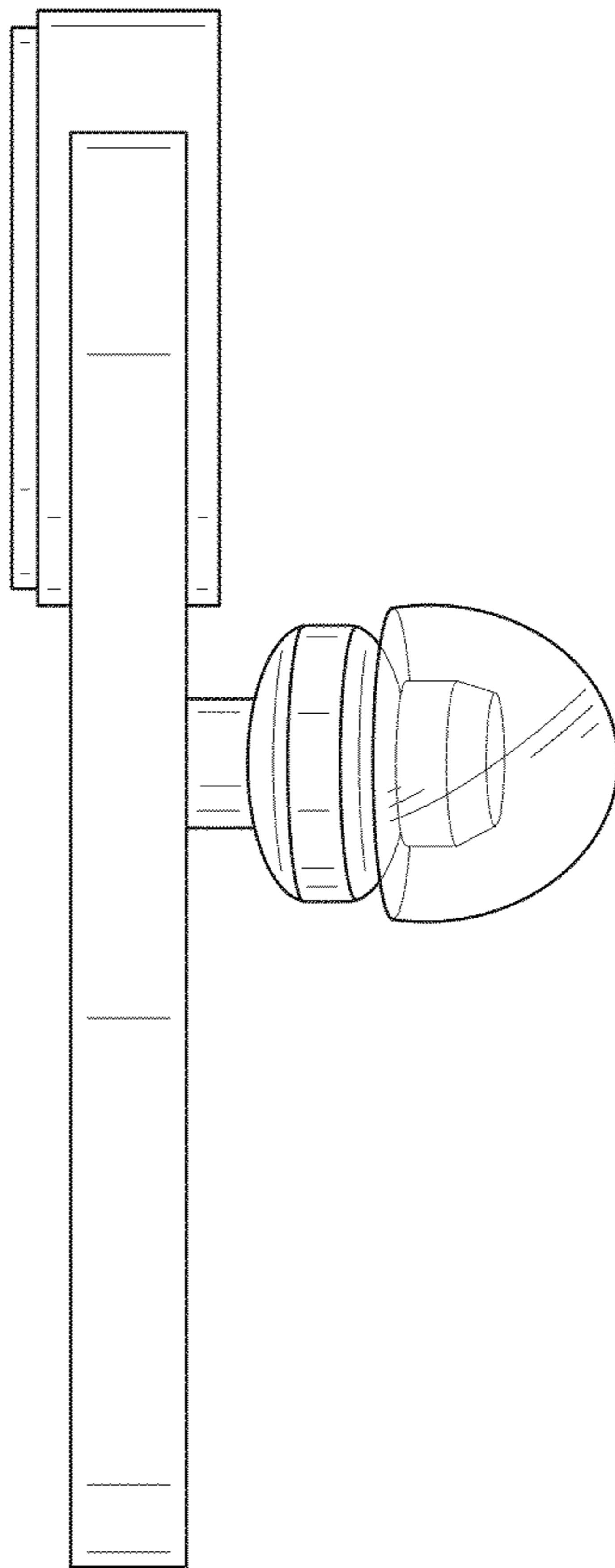
*Fig. 4*



*Fig. 5*



*Fig. 6*



*Fig. 7*