



US00D745862S

(12) **United States Design Patent**
Otani et al.

(10) **Patent No.:** **US D745,862 S**
(45) **Date of Patent:** **** Dec. 22, 2015**

(54) **COMBINED HEADPHONE AND AUDIO
PLAYER**

CPC H04R 1/10; H04R 1/105; H04R 25/00;
H04R 25/02
See application file for complete search history.

(71) Applicant: **Sony Corporation**, Tokyo (JP)

(56) **References Cited**

(72) Inventors: **Yusuke Otani**, Kanagawa (JP); **So
Morimoto**, Saitama (JP); **Taku
Yaegashi**, Tokyo (JP)

U.S. PATENT DOCUMENTS

(73) Assignee: **Sony Corporation**, Tokyo (JP)

(**) Term: **14 Years**

(21) Appl. No.: **29/496,002**

(22) Filed: **Jul. 8, 2014**

| | | | |
|----------------|---------|------------------|---------|
| 4,571,746 A | 2/1986 | Gorike | |
| 5,279,294 A | 1/1994 | Anderson et al. | |
| 5,579,669 A | 12/1996 | Kind et al. | |
| 5,643,012 A | 7/1997 | Mai et al. | |
| 6,082,485 A * | 7/2000 | Smith | 181/135 |
| D430,134 S | 8/2000 | Obata et al. | |
| 6,138,790 A * | 10/2000 | Leight | 181/130 |
| 6,396,931 B1 | 5/2002 | Malilay | |
| D484,485 S | 12/2003 | Matsuoka | |
| 6,654,966 B2 | 12/2003 | Rolla | |
| 6,688,421 B2 * | 2/2004 | Dyer et al. | 181/130 |
| 6,728,388 B1 | 4/2004 | Nageno et al. | |
| D505,411 S | 5/2005 | Sakai | |
| 6,922,476 B2 | 7/2005 | Nassimi | |
| D512,992 S | 12/2005 | Murakami | |
| 7,079,664 B2 | 7/2006 | Nassimi | |

Related U.S. Application Data

(63) Continuation-in-part of application No. 29/421,750,
filed on Sep. 14, 2012, now Pat. No. Des. 709,051,
which is a continuation-in-part of application No.
29/371,743, filed on Aug. 18, 2011, now Pat. No. Des.
667,817.

(Continued)

Primary Examiner — Prabhakar Deshmukh

(30) **Foreign Application Priority Data**

Feb. 18, 2011 (CN) 2011 3 0025880

(74) *Attorney, Agent, or Firm* — Michael Best & Friedrich
LLP

(51) **LOC (10) Cl.** **14-01**

(57) **CLAIM**

The ornamental design for a combined headphone and audio
player, as shown.

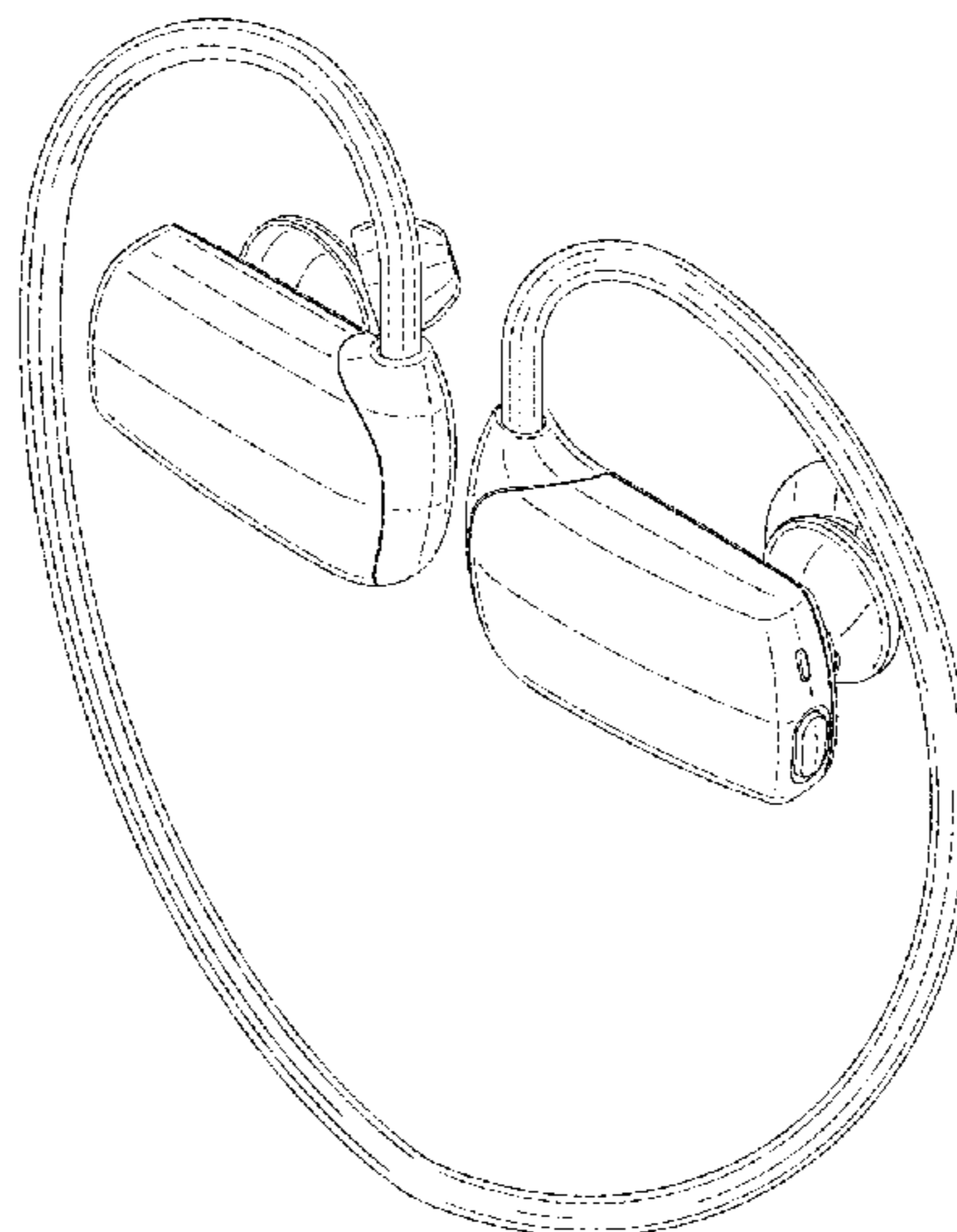
(52) **U.S. Cl.**
USPC **D14/223**

DESCRIPTION

(58) **Field of Classification Search**
USPC D14/192, 194, 204, 205, 156, 223, 248,
D14/249, 137, 138, 142, 138 AD, 147, 148,
D14/188, 496, 160, 168, 217, 265; D8/349,
D8/14, 21, 29.1, 61, 63; D24/106, 110;
381/312, 315, 72, 74, 73.1, 23.1, 328,
381/329, 150, 151, 370, 376; 181/122, 129,
181/130, 135, 137; 455/1, 440, 344-351,
455/90.3, 575.1, 565; 200/5 B, 5 EB,
200/547-550

FIG. 1 is a perspective view of a combined headphone and
audio player showing our new design;
FIG. 2 is a front elevational view thereof;
FIG. 3 is a rear elevational view thereof;
FIG. 4 is a left side elevational view thereof;
FIG. 5 is a right side elevational view thereof;
FIG. 6 is a top plan view thereof; and,
FIG. 7 is a bottom plan view thereof.

1 Claim, 5 Drawing Sheets



(56)

References Cited

U.S. PATENT DOCUMENTS

7,110,535 B2 9/2006 Bodley et al.
D538,268 S 3/2007 Gibson et al.
D550,202 S * 9/2007 Meier et al. D14/206
D559,879 S 1/2008 Sumita
D559,880 S 1/2008 Sumita
D566,104 S 4/2008 Suzuki
D570,824 S 6/2008 Schultz et al.
D574,029 S 7/2008 Yamagishi
D587,678 S * 3/2009 Yuyama D14/205
D587,680 S * 3/2009 Komiyama D14/205
D592,190 S 5/2009 Birger

D601,548 S 10/2009 Morisawa
D603,378 S 11/2009 Paradise
D604,272 S 11/2009 Kitayama
D604,722 S 11/2009 Mistry
D619,539 S 7/2010 Komiyama
7,811,101 B2 10/2010 Tang et al.
D635,547 S 4/2011 Komiyama
D636,381 S 4/2011 Liner
D640,242 S 6/2011 Fahrendorff et al.
8,080,757 B2 12/2011 Zuo
8,252,445 B2 8/2012 Chu
D673,519 S 1/2013 Tan
8,445,796 B2 5/2013 Yang et al.

* cited by examiner

FIG.1

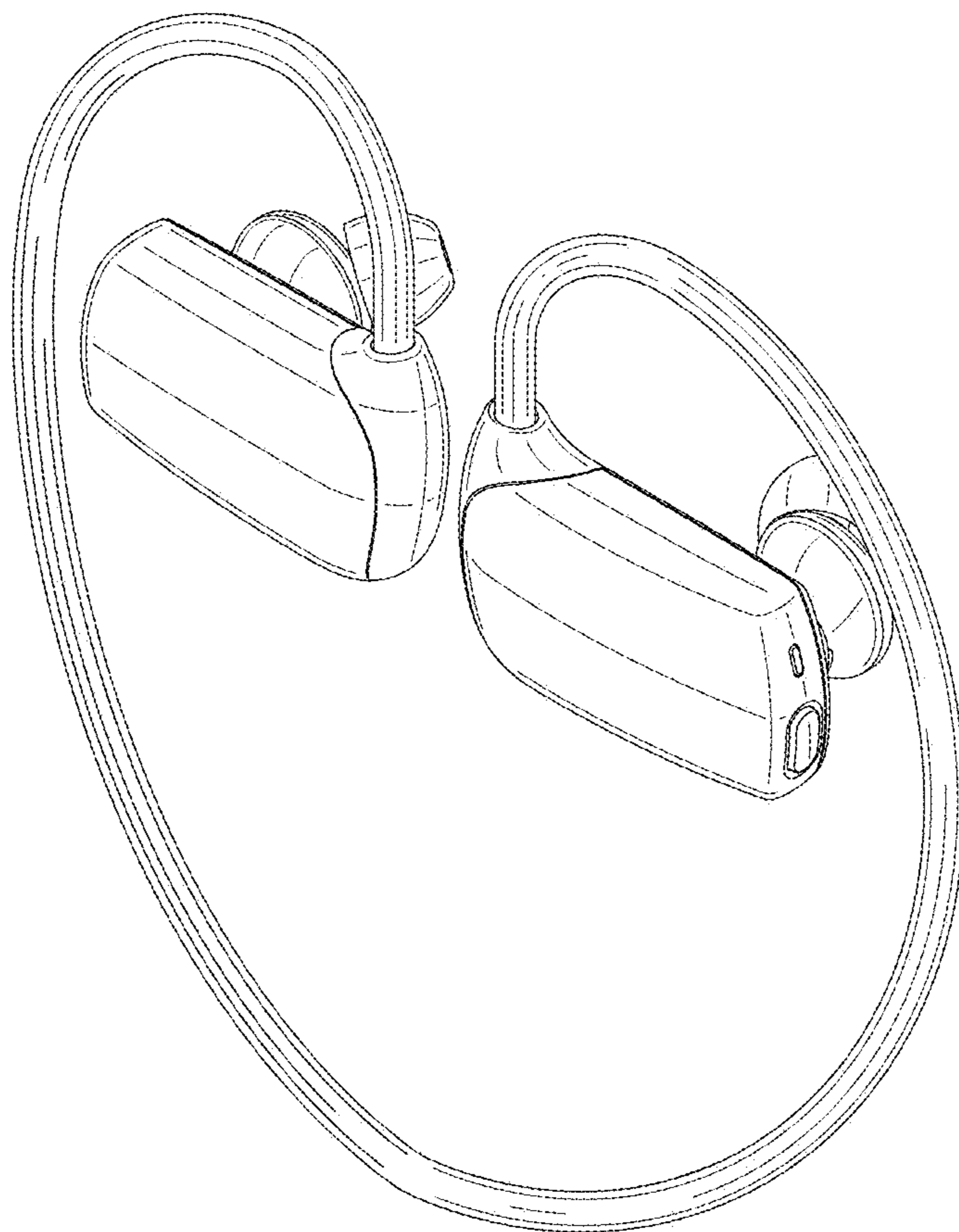


FIG.2

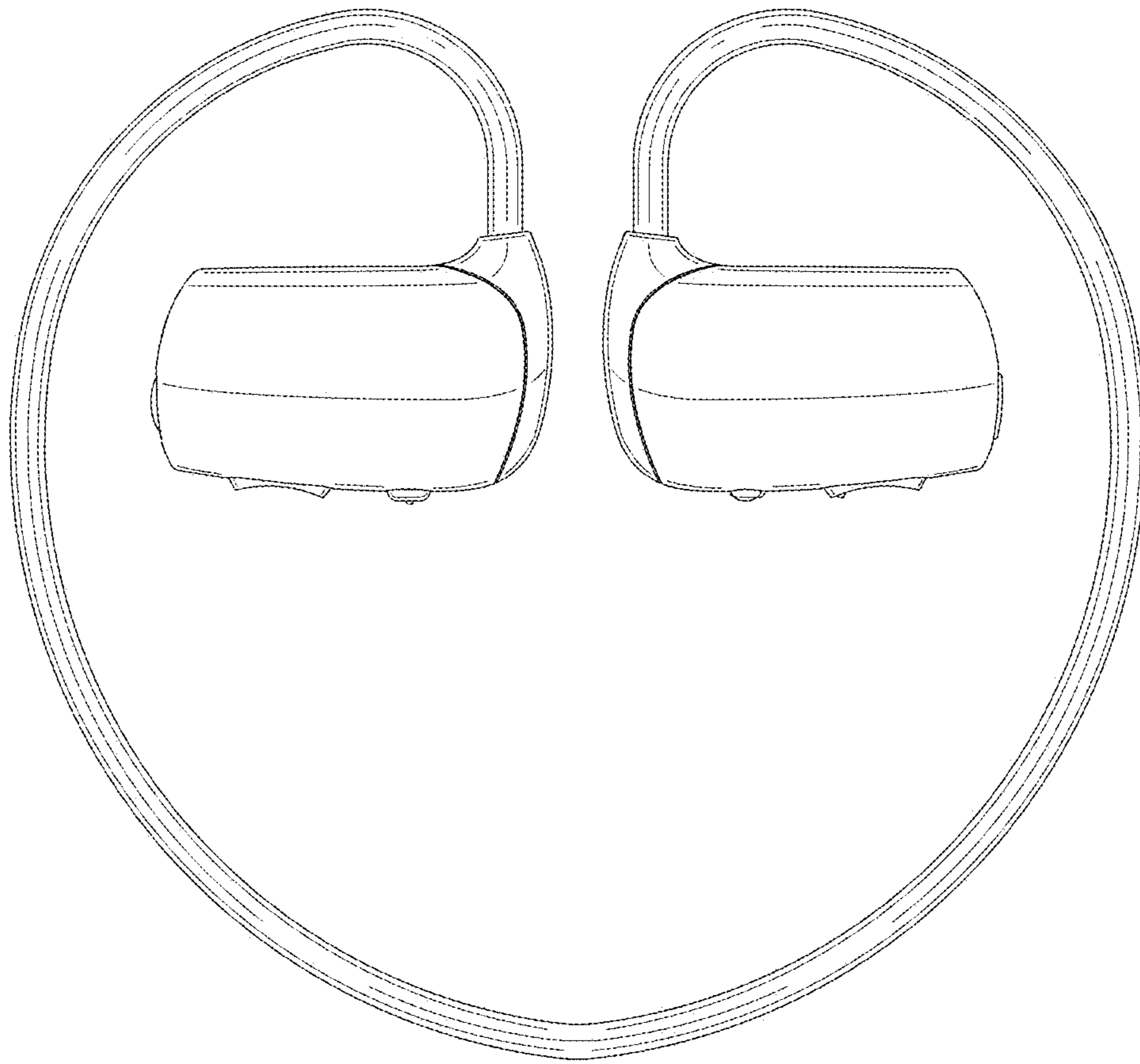


FIG.3

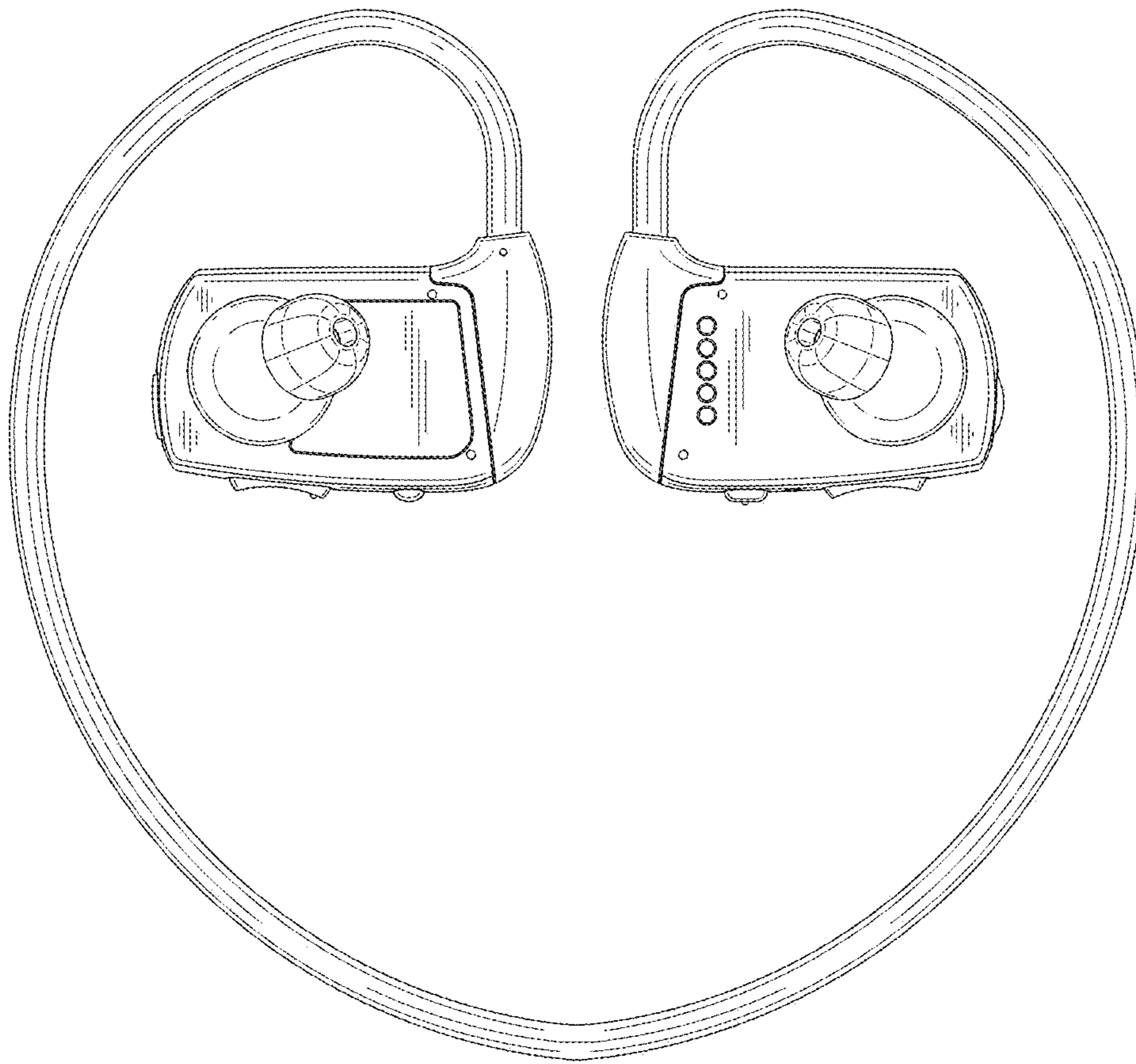


FIG.4

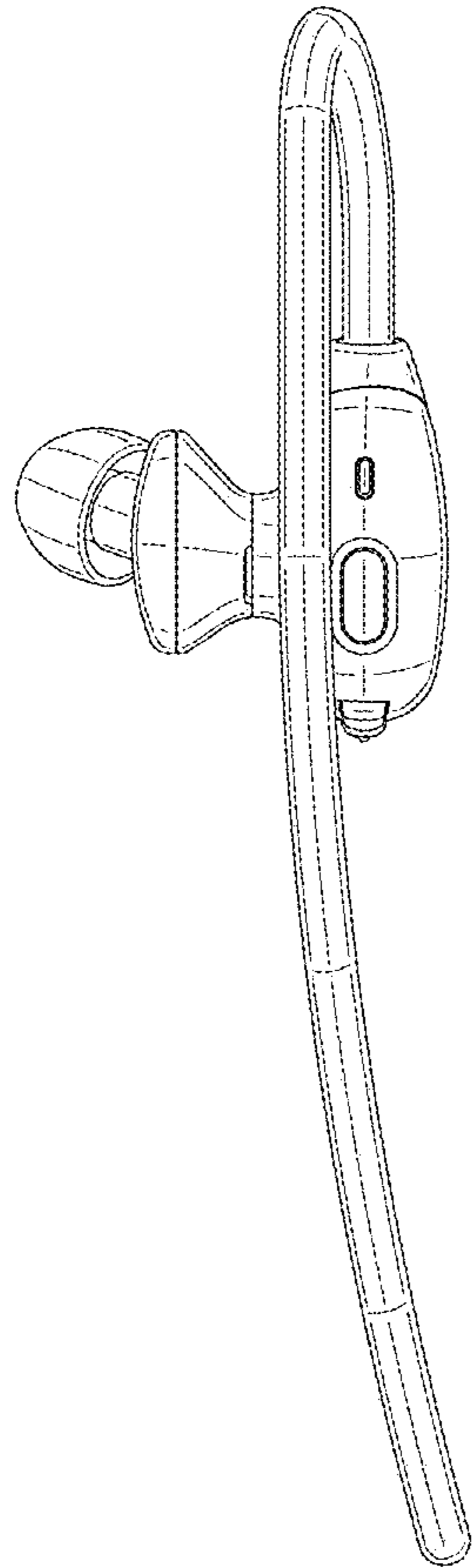


FIG.5

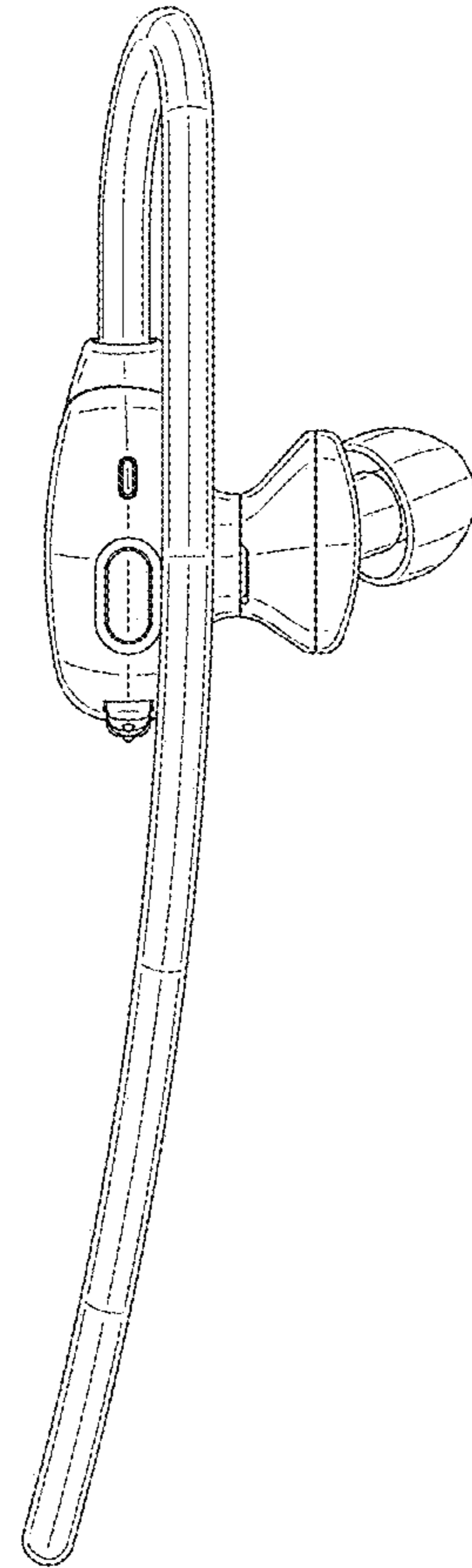


FIG.6

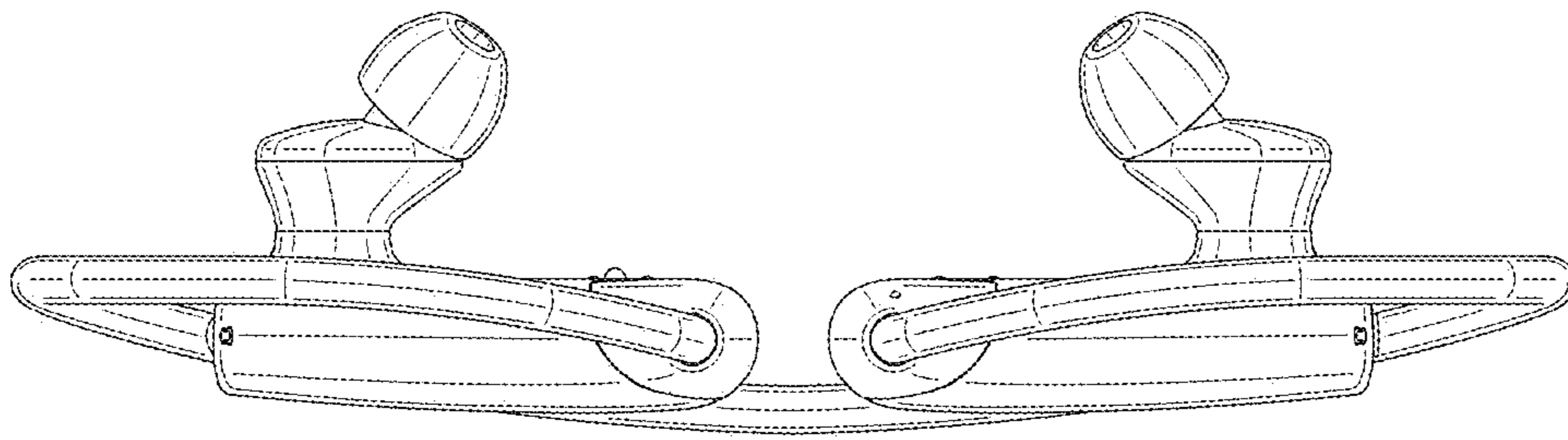


FIG.7

