



US00D745861S

(12) **United States Design Patent**
Kim

(10) **Patent No.:** **US D745,861 S**

(45) **Date of Patent:** **** Dec. 22, 2015**

(54) **SPEAKER**

(71) Applicant: **G&B PICKUP**, Incheon-si (KR)

(72) Inventor: **Nam-Yoon Kim**, Incheon-si (KR)

(73) Assignee: **G&B PICKUP** (KR)

(**) Term: **14 Years**

(21) Appl. No.: **29/509,172**

(22) Filed: **Nov. 14, 2014**

(51) **LOC (10) Cl.** **14-03**

(52) **U.S. Cl.**
USPC **D14/216**

(58) **Field of Classification Search**

USPC D14/167, 168, 170–172, 188, 194–196,
D14/204, 207, 209.1, 210–216, 219, 221,
D14/222, 224, 496, 217; 181/143, 144, 147,
181/148, 150, 153, 157, 198, 199;
381/300–303, 306, 332, 333, 336, 345,
381/361–364, 386–388; 369/6–12
CPC B60R 11/0217; G06F 1/1688; H04M 1/03;
H04M 1/035; H04R 1/02; H04R 1/06; H04R
1/021; H04R 1/025; H04R 1/026; H04R
1/028; H04R 1/105; H04R 1/323; H04R
1/403; H04R 1/2803; H04R 1/2834; H04R
5/02; H04R 7/20; H04R 9/06; H04R 9/025;
H04R 2201/021; H04R 2400/00; H04R
2400/07; H04R 2499/11; H04R 2499/13;
H04R 2499/15; H04S 3/00; H04S 7/30

See application file for complete search history.

(56) **References Cited**

U.S. PATENT DOCUMENTS

D554,105	S	*	10/2007	Langberg	D14/214
D584,287	S	*	1/2009	Pauschitz	D14/214
D592,186	S	*	5/2009	Cho	D14/214
D620,921	S	*	8/2010	Skurdal	D14/209.1
D636,758	S	*	4/2011	Tzeng	D14/214
D636,759	S	*	4/2011	Chen	D14/214
D685,348	S	*	7/2013	Szymanski	D14/214
D686,182	S	*	7/2013	Ashiwa	D14/149
D713,381	S	*	9/2014	Riggs	D14/214
D718,741	S	*	12/2014	Lui	D14/216
D723,002	S	*	2/2015	Lee	D14/214
D725,631	S	*	3/2015	McNamara	D14/214
D726,144	S	*	4/2015	Kang	D14/204
D729,762	S	*	5/2015	Hu	D14/194

* cited by examiner

Primary Examiner — Keli L Hill

(74) *Attorney, Agent, or Firm* — Cantor Colburn LLP

(57) **CLAIM**

The ornamental design for a speaker, as shown and described.

DESCRIPTION

FIG. 1 is a front side perspective view of a speaker showing my new design;

FIG. 2 is a rear side perspective view thereof.

FIG. 3 is a front elevational view thereof;

FIG. 4 is a rear elevational view thereof;

FIG. 5 is a left side elevational view thereof;

FIG. 6 is a right side elevational view thereof;

FIG. 7 is a top plan view thereof; and,

FIG. 8 is a bottom plan view thereof.

1 Claim, 6 Drawing Sheets

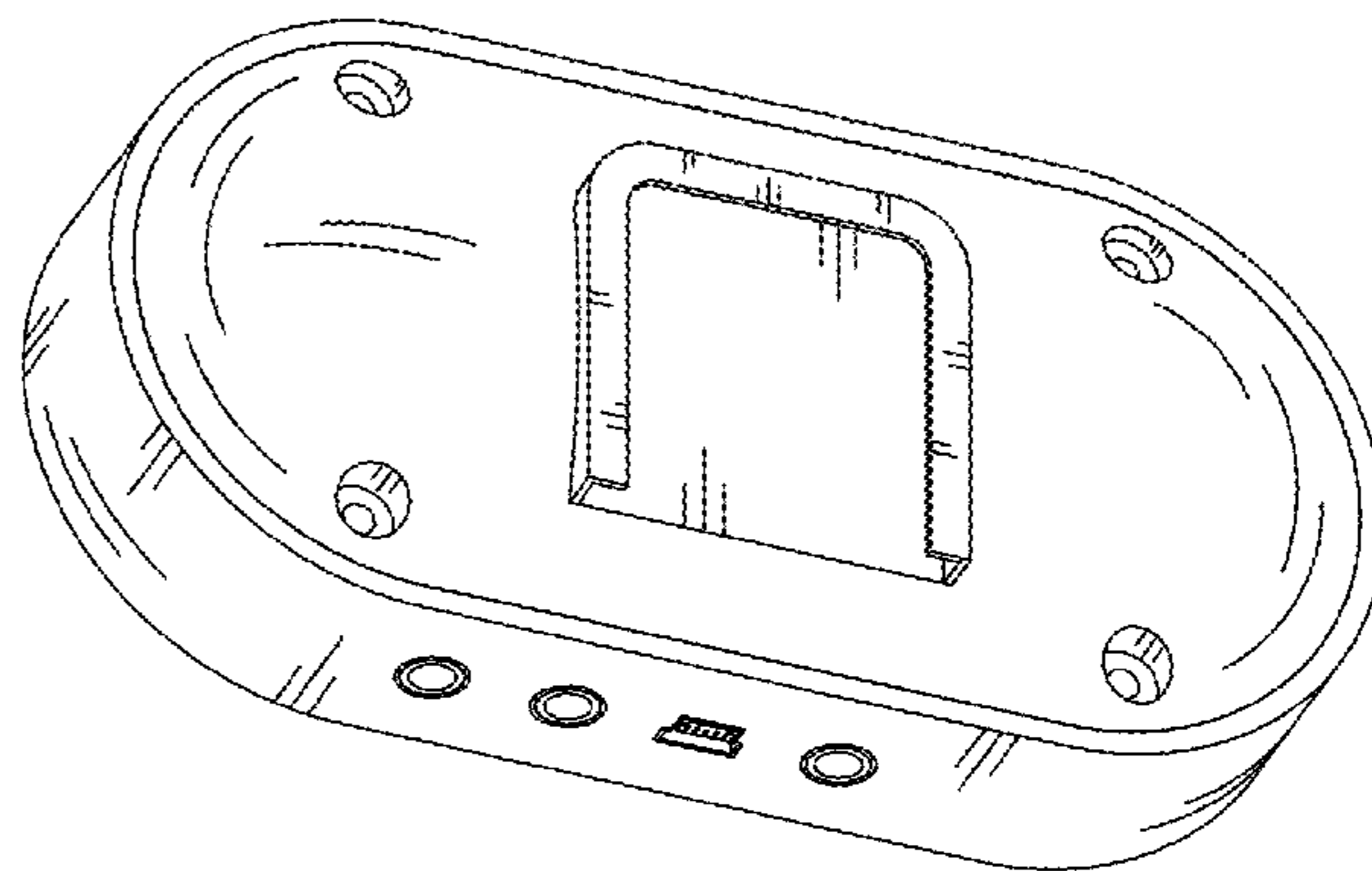
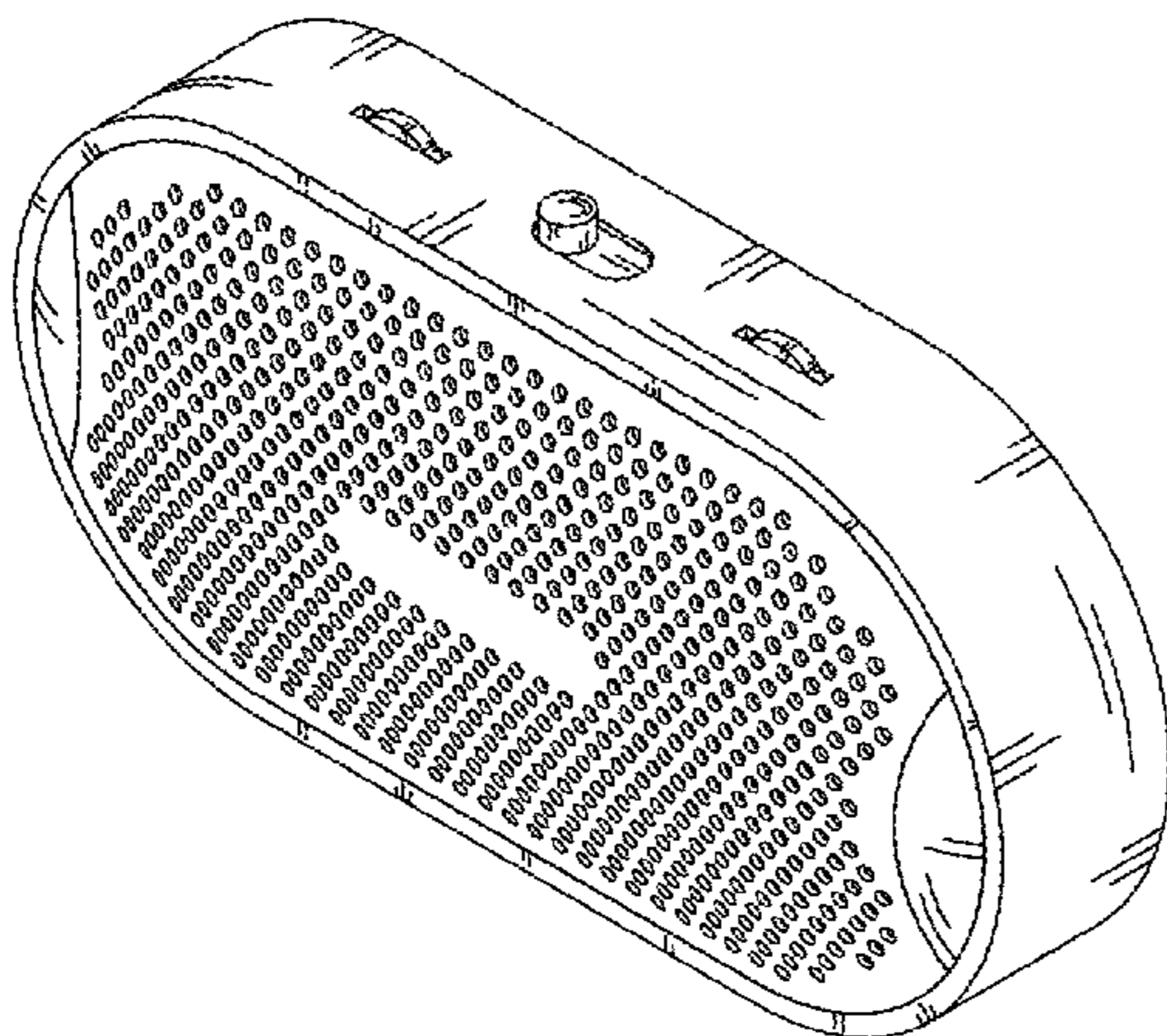


FIG. 1

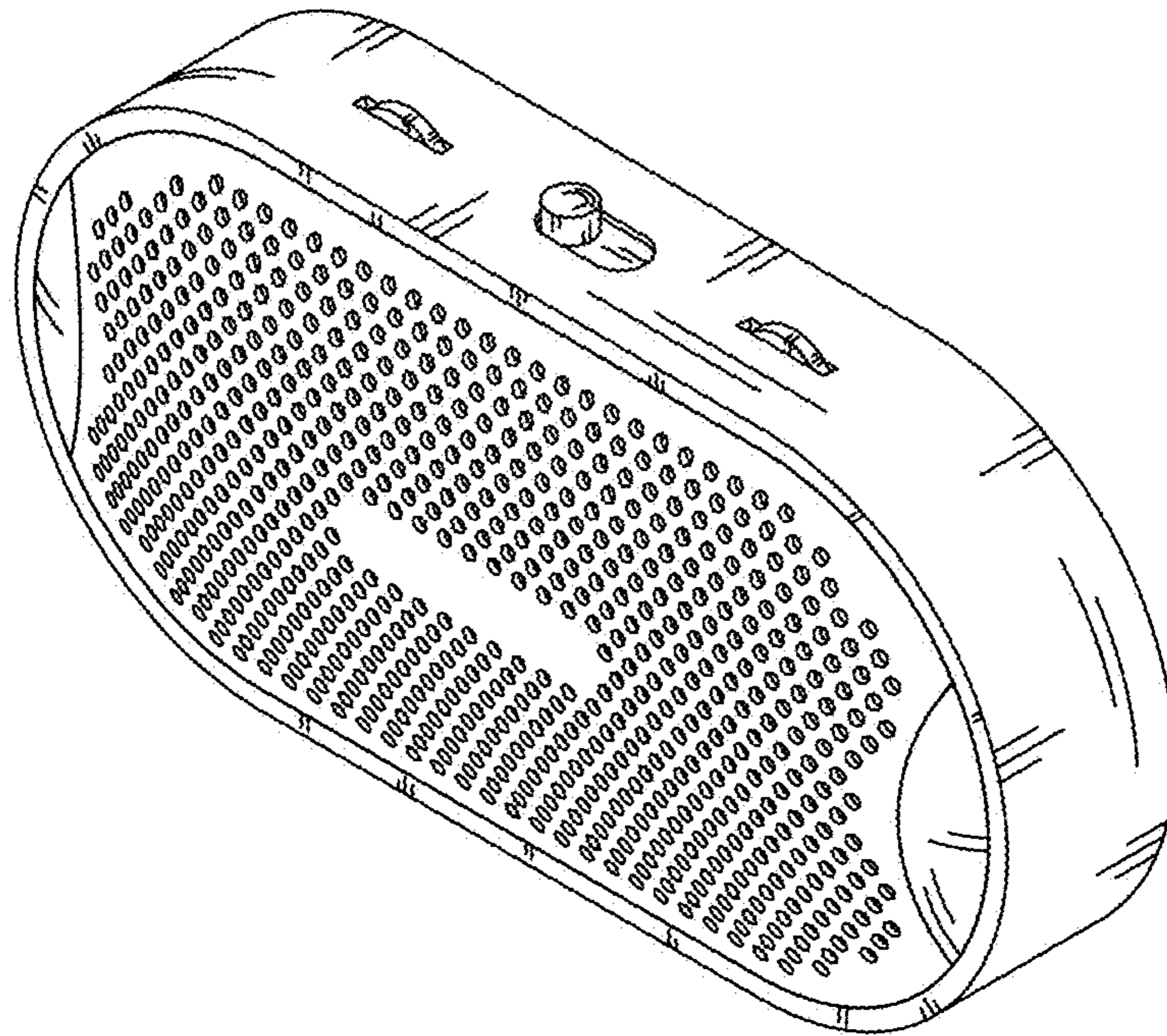


FIG. 2

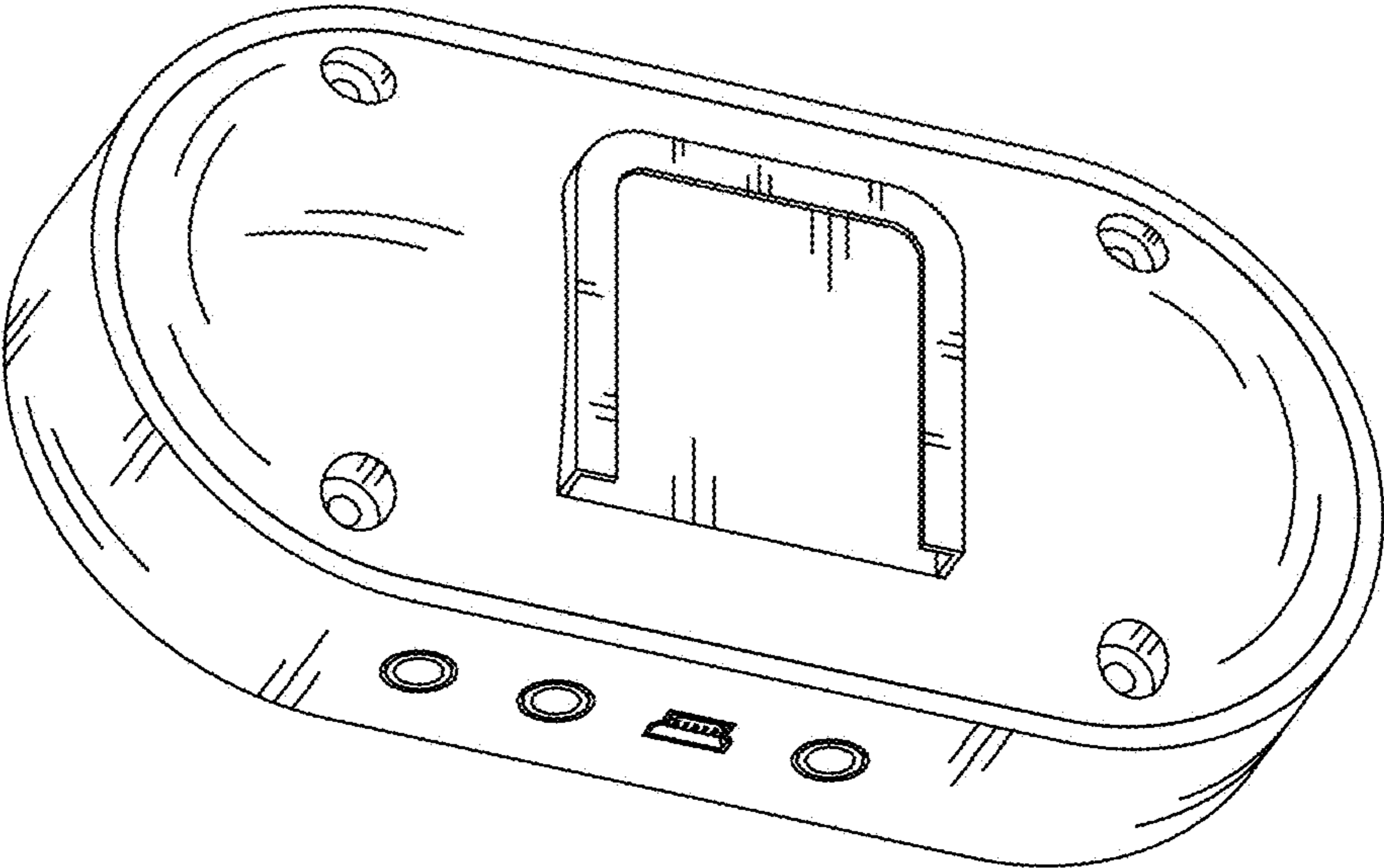


FIG. 3

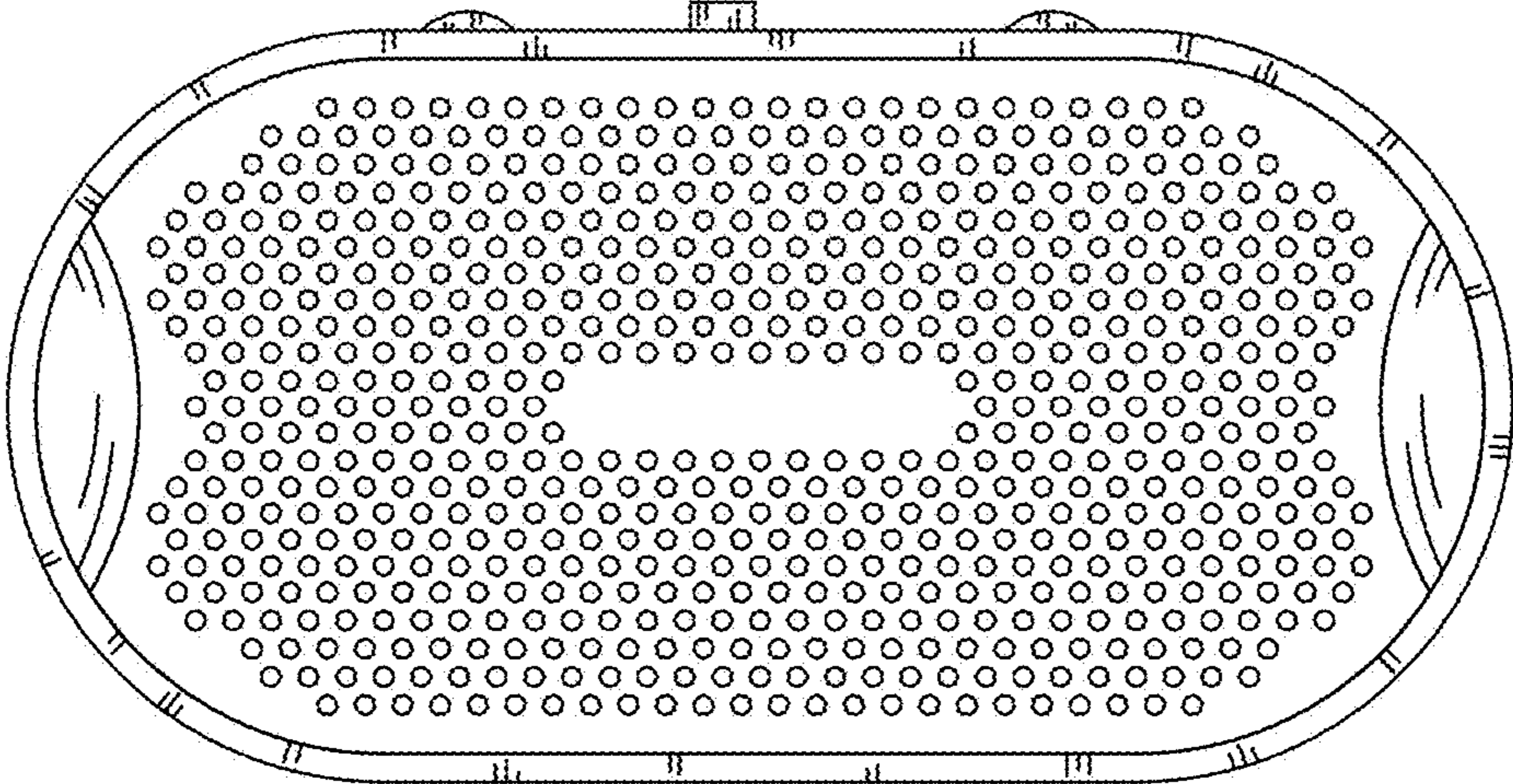


FIG. 4

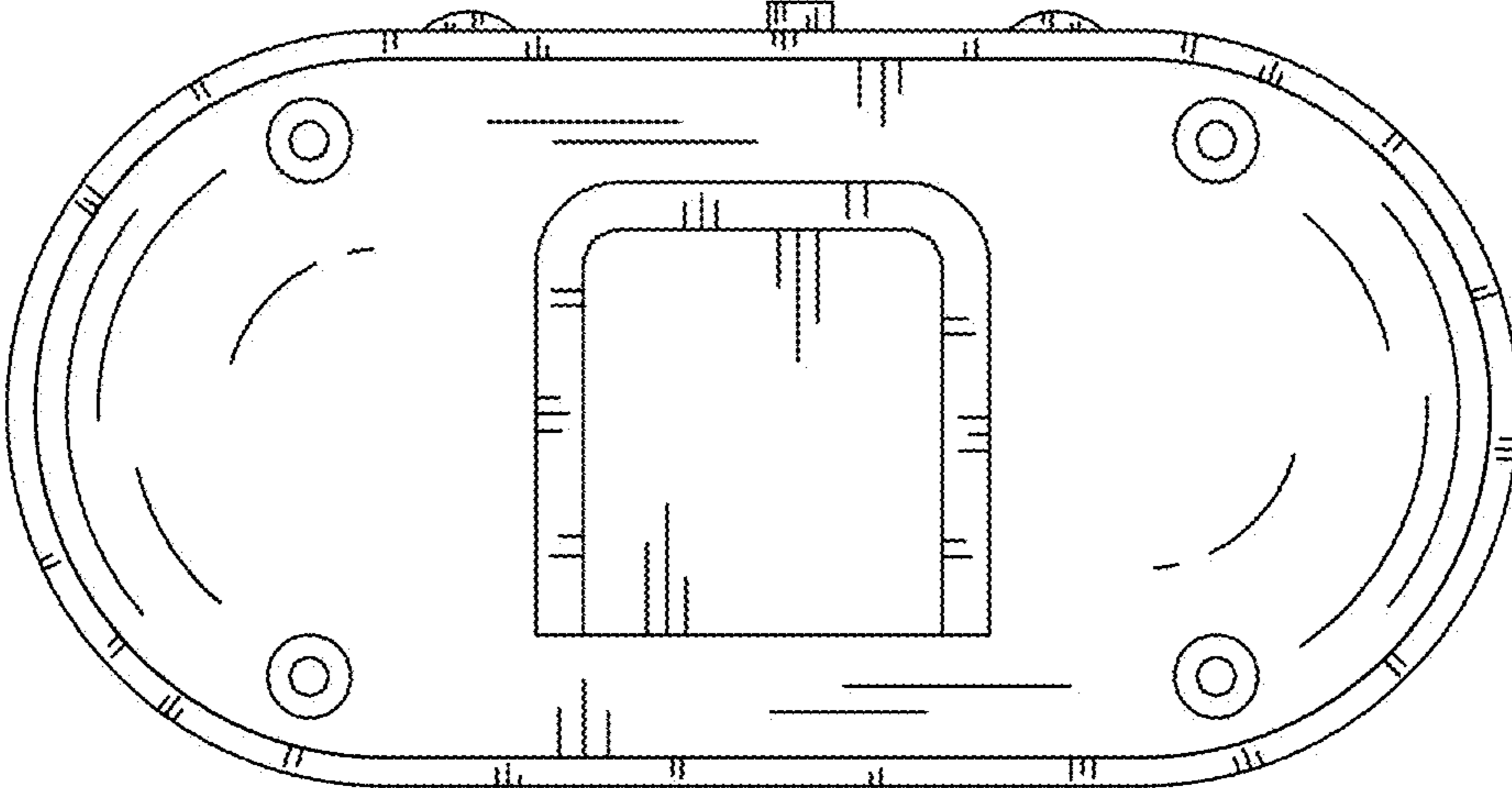


FIG. 5

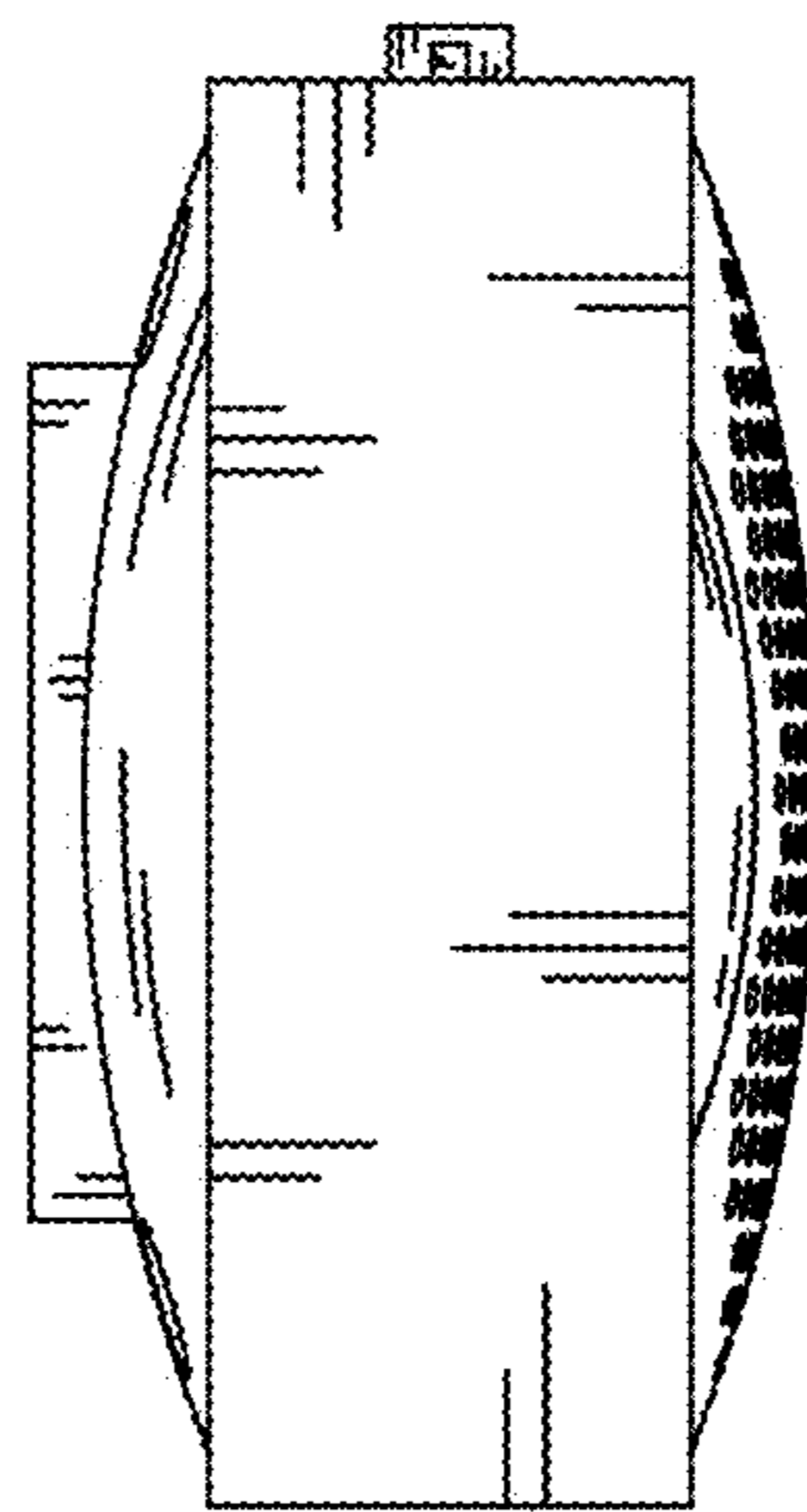


FIG. 6

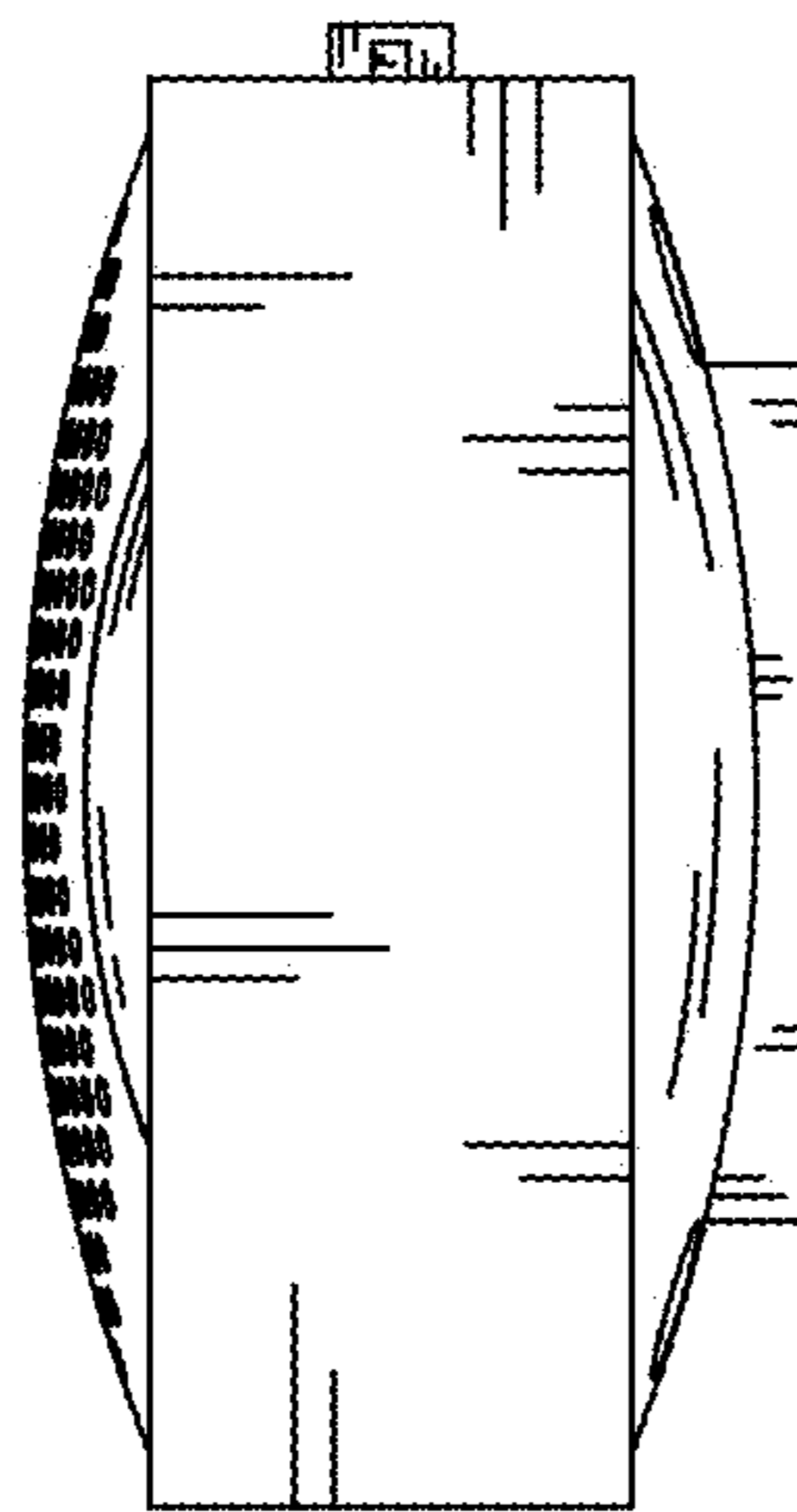


FIG. 7

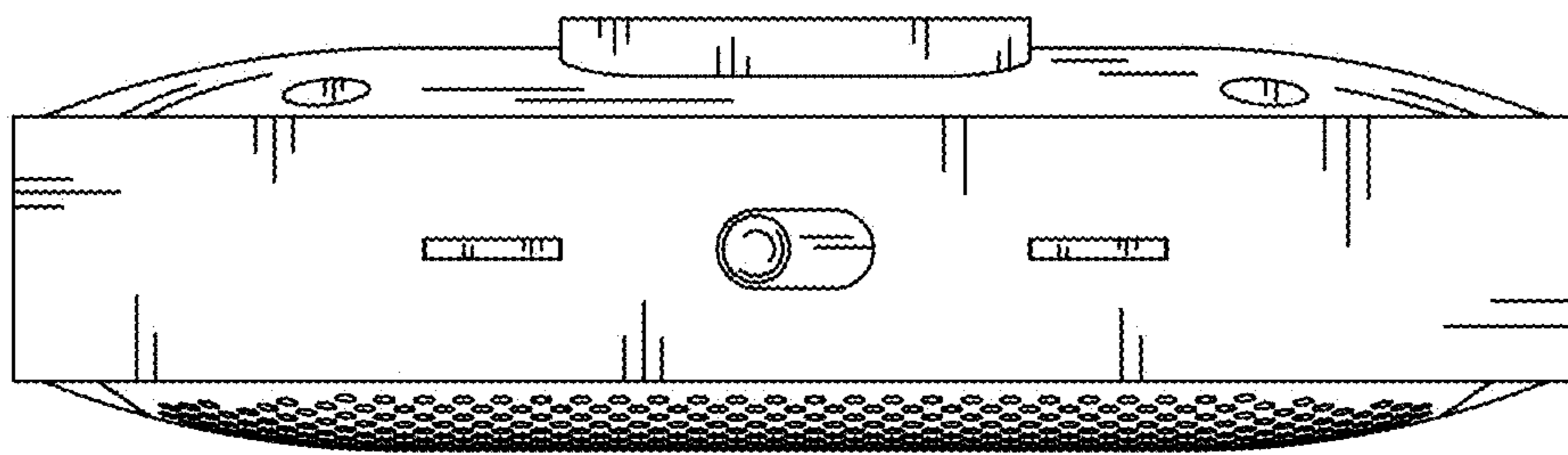


FIG. 8

