



US00D745860S

(12) **United States Design Patent**  
**Logan**

(10) **Patent No.:** **US D745,860 S**

(45) **Date of Patent:** **\*\* Dec. 22, 2015**

(54) **GAMING HEADSET**

(71) Applicant: **Voyetra Turtle Beach, Inc.**, Valhalla, NY (US)

(72) Inventor: **Andrew Logan**, Calabasas, CA (US)

(73) Assignee: **Voyetra Turtle Beach, Inc.**, Valhalla, NY (US)

(\*\*) Term: **15 Years**

(21) Appl. No.: **29/529,087**

(22) Filed: **Jun. 3, 2015**

(51) **LOC (10) Cl.** ..... **14-01**

(52) **U.S. Cl.**  
USPC ..... **D14/206**

(58) **Field of Classification Search**  
USPC ..... D14/206, 205, 223, 372, 225, 226;  
D29/112; 2/209; 181/129, 130, 135;  
379/430, 431; 381/380, 381, 370, 371,  
381/372, 374, 375; 345/7, 8  
CPC ..... H04R 1/1066; H04R 5/033  
See application file for complete search history.

(56) **References Cited**

**U.S. PATENT DOCUMENTS**

D159,223 S	4/1950	Olson	
D194,408 S	1/1963	Wentworth-Jessop	
D197,012 S	12/1963	Dreyfuss	
D248,231 S	6/1978	Goldman et al.	
D280,323 S	8/1985	Scheid et al.	
D287,849 S	1/1987	O'Malley et al.	
D299,643 S	1/1989	Kubota	
D302,429 S *	7/1989	Leer	D14/137
5,018,599 A *	5/1991	Dohi et al.	181/129
D319,241 S	8/1991	Daido et al.	
D321,350 S	11/1991	Phelan	
D328,074 S	7/1992	Yamazaki et al.	
D333,137 S *	2/1993	Burke	D14/206
D345,162 S	3/1994	Yamatogi	

D345,163 S	3/1994	Yamatogi	
D351,172 S *	10/1994	Nakamura et al.	D14/205
D352,039 S	11/1994	Yurkonis et al.	

(Continued)

**FOREIGN PATENT DOCUMENTS**

EM	000180328-0002	5/2004
EM	000274634-0001	1/2005

(Continued)

**OTHER PUBLICATIONS**

Surround Sound PC Gaming Headset PC 363D, <http://en-us.sennheiser.com/gaming-headset-pc-363d> (accessed Jun. 5, 2015).

(Continued)

*Primary Examiner* — Paula Greene

(74) *Attorney, Agent, or Firm* — McAndrews Held & Malloy, Ltd.

(57) **CLAIM**

The ornamental design for a gaming headset, as shown and described.

**DESCRIPTION**

FIG. 1 is a front perspective view of a gaming headset showing my new design;

FIG. 2 is a front view thereof;

FIG. 3 is a rear view thereof;

FIG. 4 is a right-side elevation view thereof;

FIG. 5 is a left-side elevation view thereof;

FIG. 6 is a top plan view thereof;

FIG. 7 is a bottom plan view thereof; and,

FIG. 8 is a rear perspective view thereof.

The dashed broken lines are for environmental purposes only and form no part of the claimed design.

The wavy black line at the end of the cable represents an unclaimed boundary line and forms no part of the claimed design.

**1 Claim, 8 Drawing Sheets**



(56)

References Cited

U.S. PATENT DOCUMENTS

D369,604	S	5/1996	Morimiya	
D377,174	S *	1/1997	Runquist	D14/206
D385,272	S	10/1997	Jensen et al.	
5,793,878	A *	8/1998	Chang	381/370
D405,449	S	2/1999	Nakamura et al.	
D409,150	S	5/1999	Davis et al.	
D423,012	S	4/2000	Yasutomi	
6,081,604	A *	6/2000	Hikichi et al.	381/371
D429,253	S	8/2000	Robertson et al.	
D430,140	S	8/2000	Roman	
D431,550	S *	10/2000	Yoneda	D14/205
D435,249	S	12/2000	Yasutomi	
D436,095	S	1/2001	Schmidt et al.	
D443,603	S	6/2001	Taylor et al.	
D458,246	S	6/2002	Davies et al.	
D468,722	S	1/2003	Schmidt et al.	
D468,723	S	1/2003	Pham et al.	
D476,645	S	7/2003	Padala et al.	
D484,485	S *	12/2003	Matsuoka	D14/205
6,678,897	B2 *	1/2004	Lindgren	2/209
D538,261	S *	3/2007	Taylor et al.	D14/205
D589,492	S *	3/2009	Mistry	D14/205
D613,266	S *	4/2010	Barry et al.	D14/205
D635,958	S *	4/2011	Ando et al.	D14/205
D641,727	S *	7/2011	Krauss et al.	D14/206
D645,023	S *	9/2011	Brandis	D14/206
D661,685	S *	6/2012	Lee et al.	D14/205
D684,141	S *	6/2013	Takamoto	D14/205
8,559,665	B2 *	10/2013	Schmidt et al.	381/374
RE44,672	E	12/2013	Yang et al.	
8,643,568	B2 *	2/2014	West et al.	345/8
RE45,056	E	8/2014	Yang et al.	
D724,560	S *	3/2015	Galler	D14/205
D726,146	S *	4/2015	Binder et al.	D14/205
D729,196	S *	5/2015	Liu	D14/205
D732,001	S *	6/2015	Licht et al.	D14/205
D732,503	S *	6/2015	Brunner et al.	D14/205
2001/0017925	A1 *	8/2001	Ceravolo	381/370

FOREIGN PATENT DOCUMENTS

EM	000291745-0001	2/2005
EM	000991799-0001	8/2008
EM	001142582-0001	6/2009
EM	001309157-0001	1/2012
EM	001309157-0002	1/2012
EM	002011197-0001	3/2012
EM	002011197-0002	3/2012
EM	002124107-0001	10/2012
EM	001373476-0001	5/2013
EM	001373476-0002	5/2013
EM	001373476-0003	5/2013
WO	DM/055161	9/2000
WO	DM/081648	4/2013

OTHER PUBLICATIONS

Headphones with microphone vector icon, <http://www.shutterstock.com/pic-154701656/stock-vector-headphones-with-microphone-vector-icon.html> (accessed Jun. 5, 2015).

Original SADES SA-708 pc gamer headset dj studio headphone with microphone game earphones voice headset with mic, <http://www.aliexpress.com/item/Original-SADES-SA-708-PC-Gamer-Headset-DJ-Studio-Headphone-With-Microphone-Game-Earphones-Voice-Headset/1979402346.html?s=p> (accessed Jun. 5, 2015).

Cosonic CT-800 Gaming On-Ear Headphone with Mic for Computer, [http://www.alibaba.com/product-detail/Cosonic-CT-800-Gaming-On-Ear\\_1984968377.html](http://www.alibaba.com/product-detail/Cosonic-CT-800-Gaming-On-Ear_1984968377.html) (accessed Jun. 5, 2015).

Lupuss G1 desktop earphones headset bass voice headset microphone CF, [http://www.aliexpress.com/store/product/Lupuss-g1-desktop-earphones-headset-bass-voice-headset-microphone-cf/1686403\\_32278789265.html](http://www.aliexpress.com/store/product/Lupuss-g1-desktop-earphones-headset-bass-voice-headset-microphone-cf/1686403_32278789265.html) (accessed Jun. 5, 2015).

Headphones with microphone, <http://depositphotos.com/5237432/stock-photo-headphones-with-microphone.html> (accessed Jun. 5, 2015).

Vector—Realistic illustration of headset, [http://www.123rf.com/photo\\_7588899\\_realistic-illustration-of-headset.html](http://www.123rf.com/photo_7588899_realistic-illustration-of-headset.html) (accessed Jun. 5, 2015).

Beyerdynamic DT 109 Headset 400 ohms, with 200 ohms mic, grey, [http://www.canford.co.uk/Products/54-109\\_BEYERDYNAMIC-DT-109-Headset-400-ohms-with-200-ohms-mic-grey](http://www.canford.co.uk/Products/54-109_BEYERDYNAMIC-DT-109-Headset-400-ohms-with-200-ohms-mic-grey) (accessed Jun. 5, 2015).

Somic® G909 7.1CH Sound Effect Stereo Gaming Wired Headset with Microphone Vibration Bass Speakers and Soft Earpads, <http://www.gumprade.com/computer-accessories/gaming-headsets/g909-7-1ch-stereo-gaming-wired-headset-microphone-with-vibration-increasing-bass-speakers-and-soft-earpads.html> (accessed Jun. 5, 2015).

Yellow headset with microphone isolated on white background, [http://www.123rf.com/photo\\_12023794\\_yellow-headset-with-microphone-isolated-on-white-background.html?term=headset](http://www.123rf.com/photo_12023794_yellow-headset-with-microphone-isolated-on-white-background.html?term=headset) (accessed Jun. 5, 2015).

SurroFree Shipping Deep Bass Sound Light Stereo Game Headset Gaming Headphones Computer Earphones With Microphone for PC Gamer, [http://www.aliexpress.com/store/product/Surround-Sound-Game-Headset-Gaming-Headphones-With-Microphone-for-PC-Gamer-Game-Earphones-Voice-Headset/1302088\\_2008019493.html](http://www.aliexpress.com/store/product/Surround-Sound-Game-Headset-Gaming-Headphones-With-Microphone-for-PC-Gamer-Game-Earphones-Voice-Headset/1302088_2008019493.html) (accessed Jun. 5, 2015).

Kanen KM-780 Head-band Type 3.5mm-plug Wired Stereo Computer PC Headphone Headset with Microphone, <http://www.buysku.com/wholesale/kanen-km-780-head-band-type-3-5mm-plug-wired-stereo-computer-pc-headphone-headset-with-microphone-black.html> (accessed Jun. 5, 2015).

Tritton Kama Stereo Headset for Xbox One and Mobile Devices, <http://www.amazon.com/TRITTON-Kama-Stereo-Headset-Mobile-Devices/dp/B00KWADZY6> (accessed Jun. 5, 2015).

Idomax HF-290 USB Stereo Gaming Headset with Microphone, <http://www.shopmania.com/headphones/p-idomax-hf-290-usb-stereo-gaming-headset-w-microphone-black-231237613> (accessed Jun. 5, 2015).

Razer Chimaera 5.1 Wireless Gaming Headset Review, <http://www.ign.com/articles/2011/08/09/razer-chimaera-5-1-wireless-gaming-headset-review> (accessed Jun. 5, 2015).

Kinbas Stereo Headset Headband PC Notebook Gaming Headset With Microphone Black, <http://www.ebay.com.au/itm/KINBAS-Stereo-Headset-Headband-PC-Notebook-Gaming-Headset-With-Microphone-Black-/390675126827> (accessed Jun. 5, 2015).

Intex Streak Headset—IT-HS501, <https://www.mystore.lk/intex-streak-headset-it-hs501> (accessed Jun. 5, 2015).

Headset Classic Round Sticker, [http://www.zazzle.ca/headset\\_classic\\_round\\_sticker-217639861761597142](http://www.zazzle.ca/headset_classic_round_sticker-217639861761597142) (accessed Jun. 5, 2015).

Gaming Headset Buyer's Guide: Tritton Ghost Recon Future Soldier 7.1, <http://www.ripen.com/2012/05/28/gaming-headset-buyers-guide-tritton-ghost-recon-future-soldier-7-1/> (accessed Jun. 5, 2015).

Sennheiser MB Pro 2 Premium Double-Sided Bluetooth Headset, <http://www.voiplink.com/headsets/bluetooth-headsets/sennheiser-mb-pro-2-premium-double-sided-bluetooth-headset-506044-new.html> (accessed Jun. 5, 2015).

Sennheiser E906 Instrumental Microphone, <http://www.acclaim-music.com/Sennheiser-E906-Instrumental-Microphone.html> (accessed Jun. 5, 2015).

Black Microphone, <http://recordinghacks.com/2012/07120/lewitt-lct640-review/> (accessed Jun. 5, 2015).

\* cited by examiner

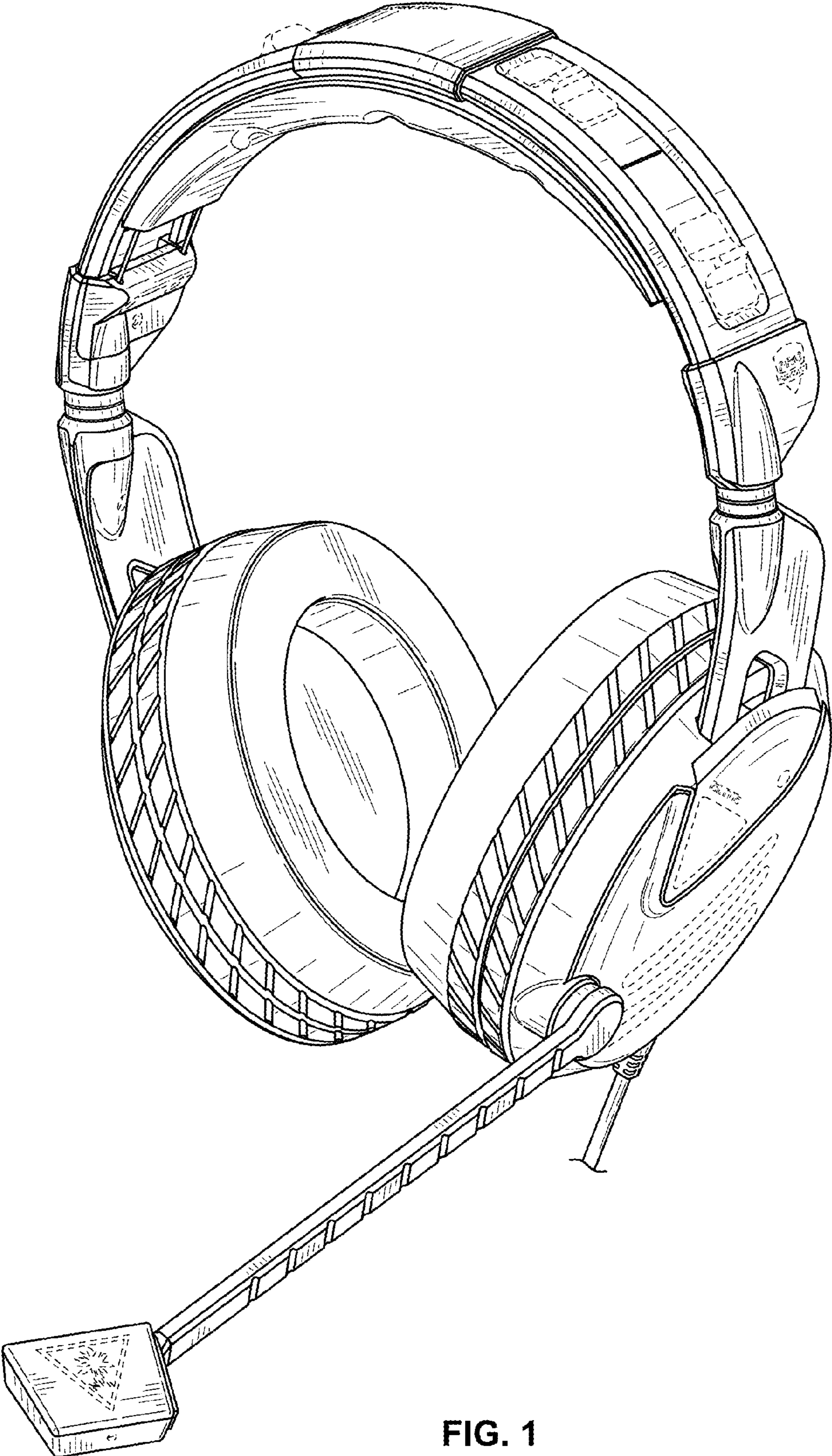


FIG. 1

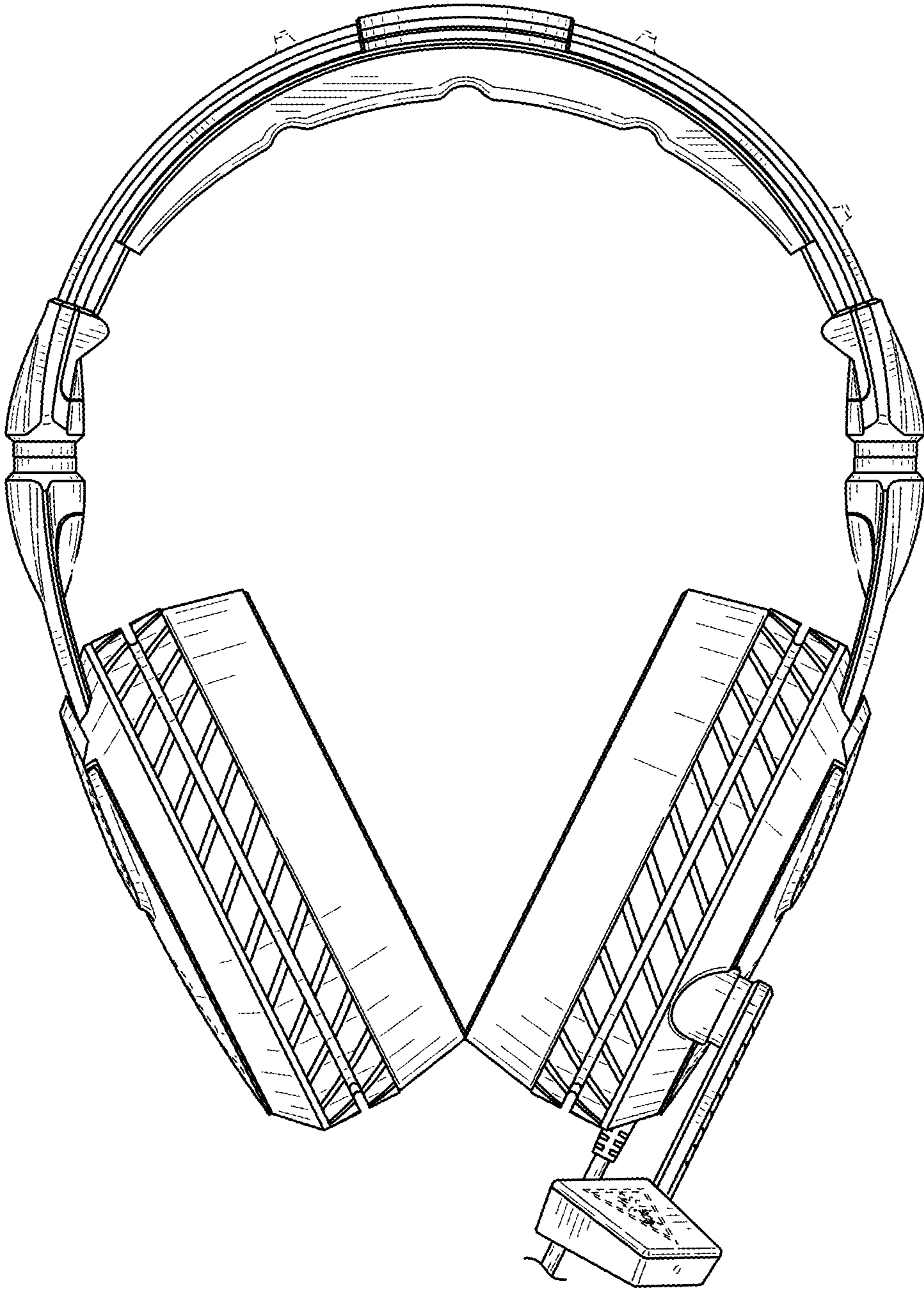


FIG. 2

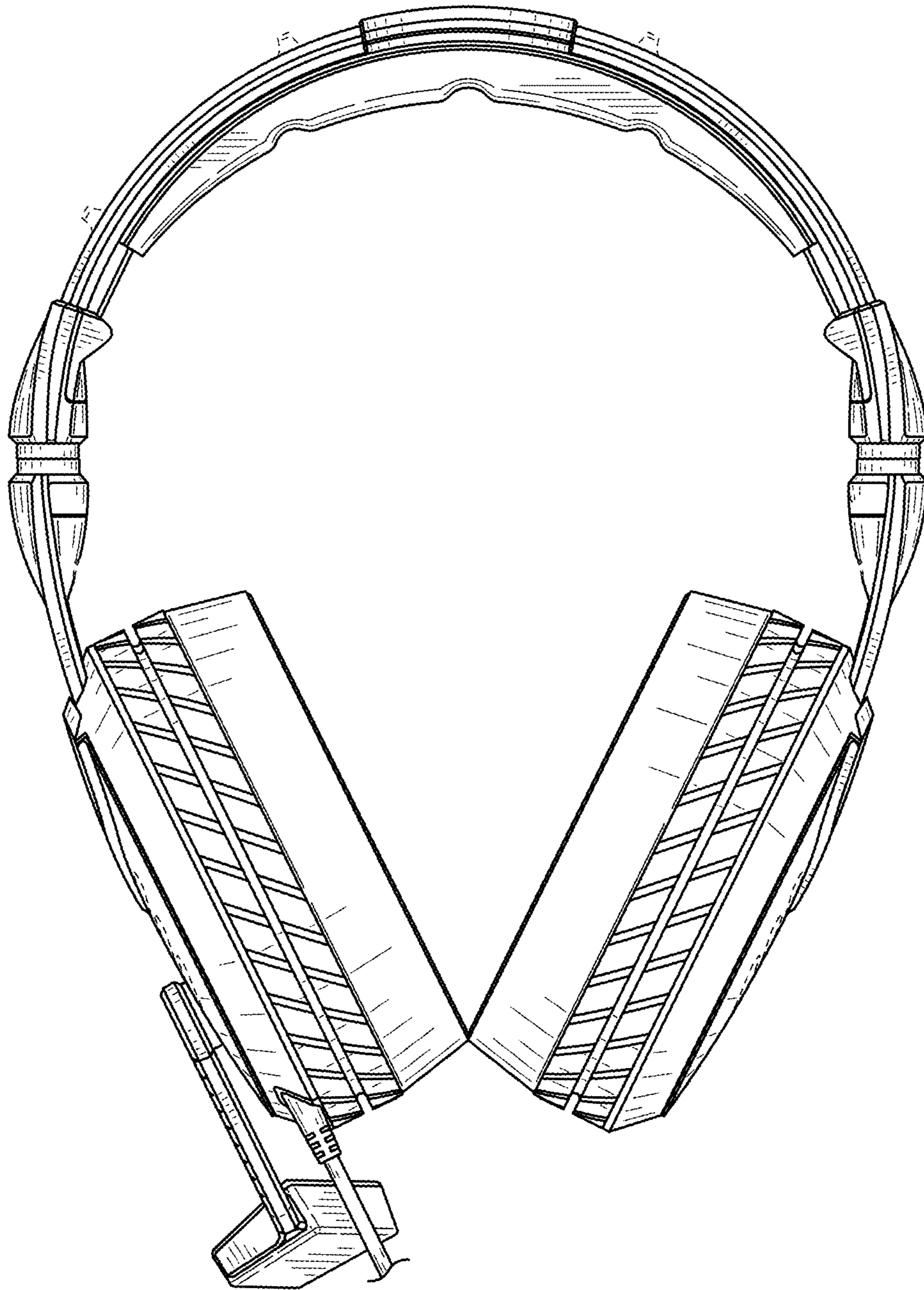


FIG. 3

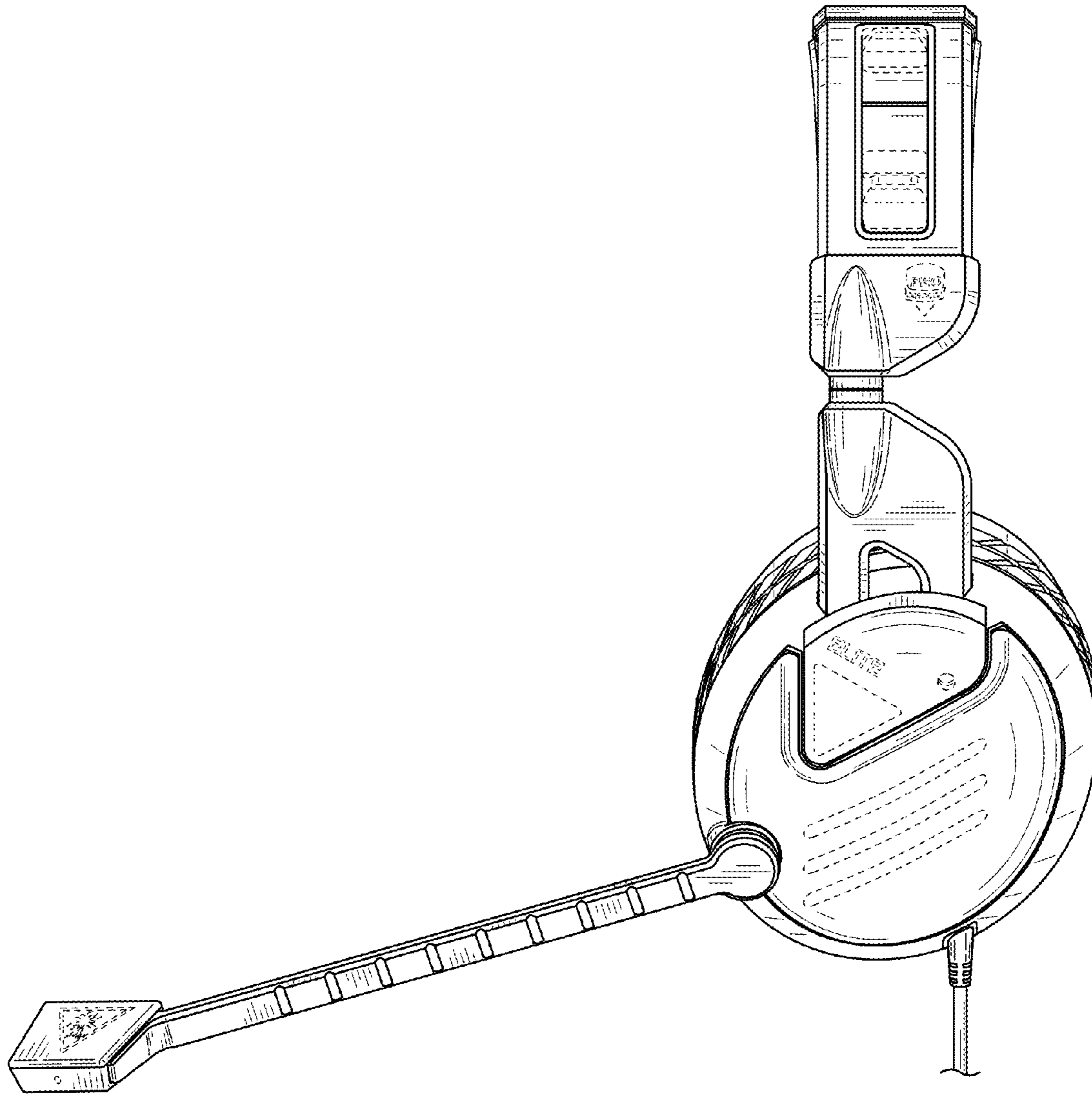


FIG. 4

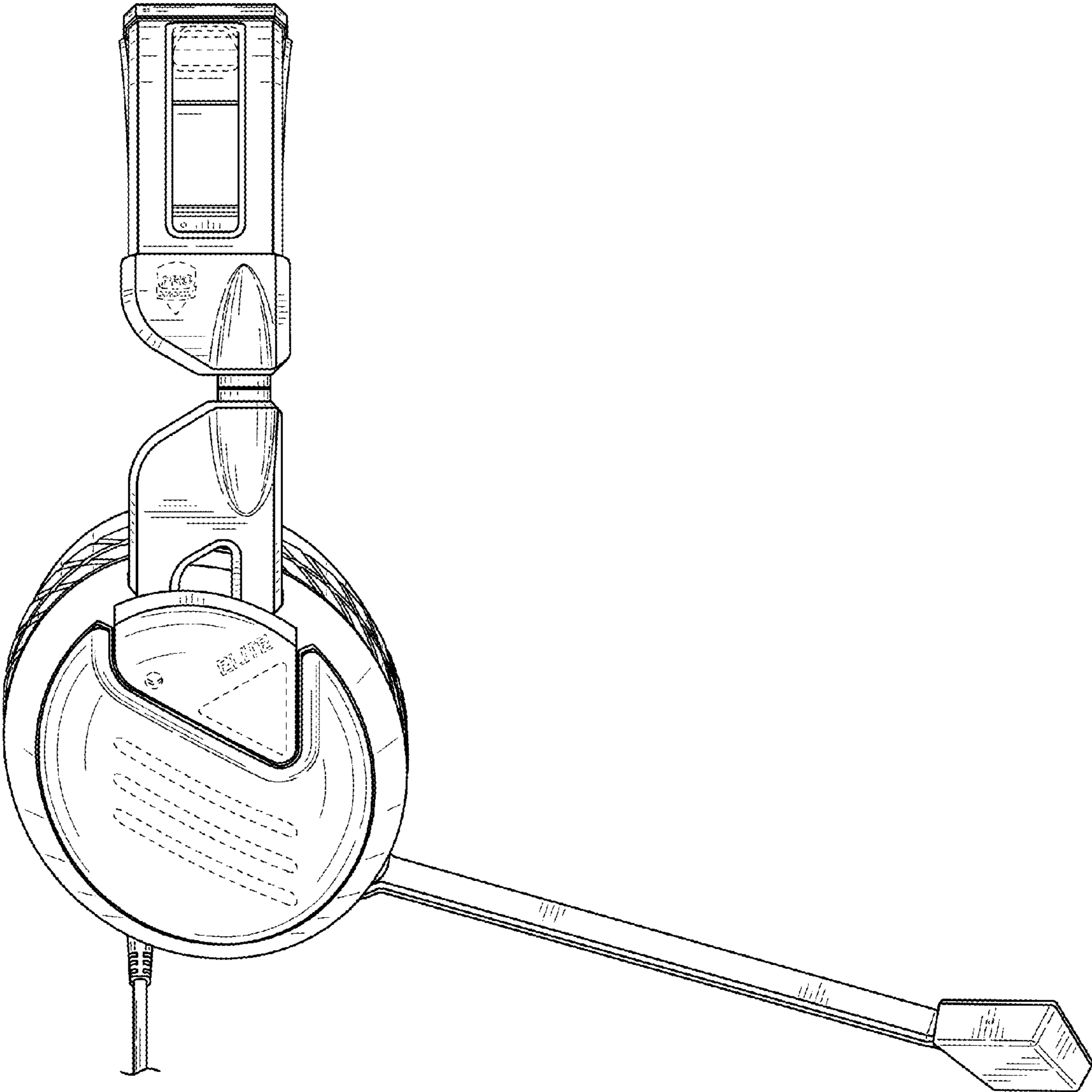


FIG. 5

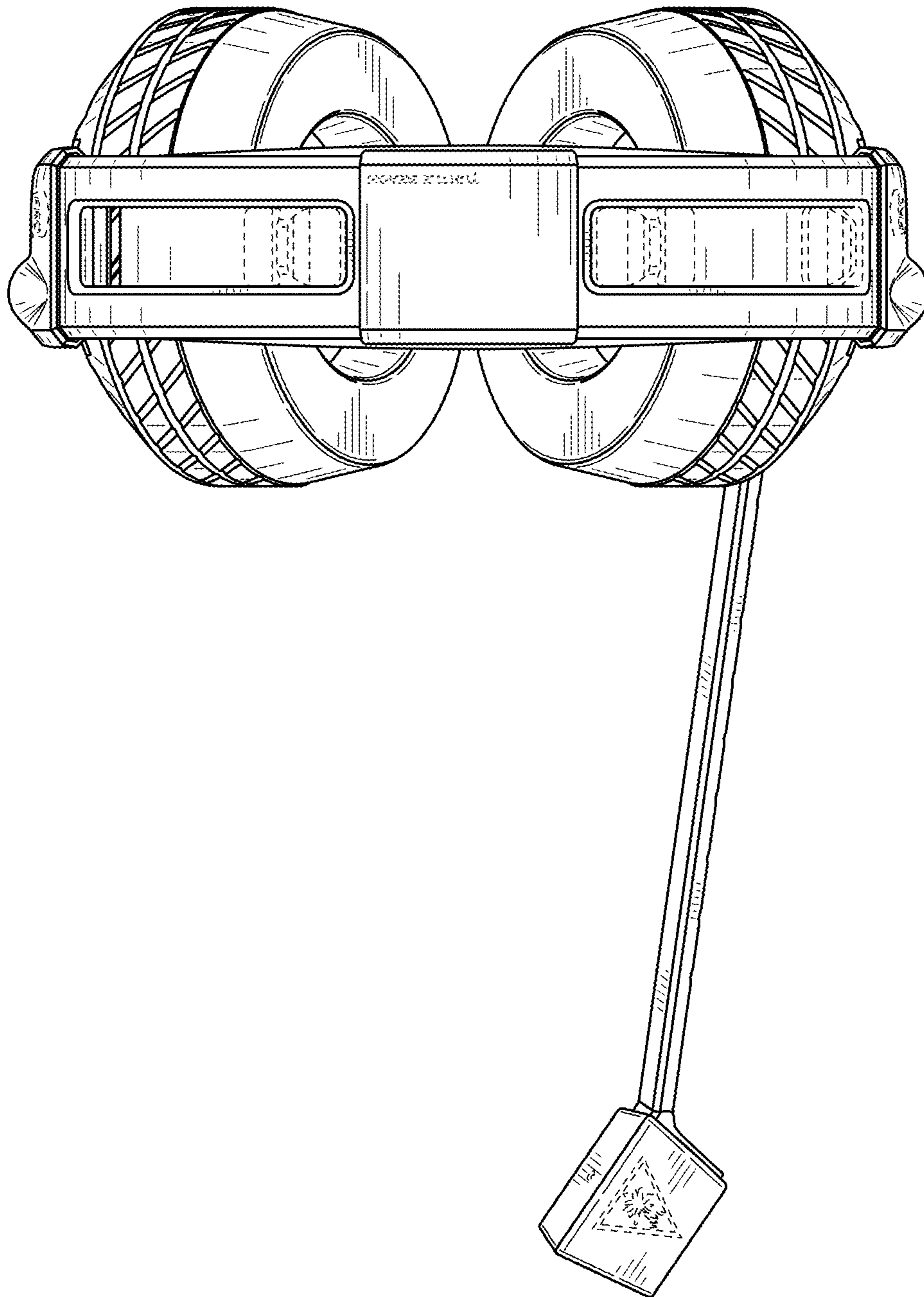


FIG. 6



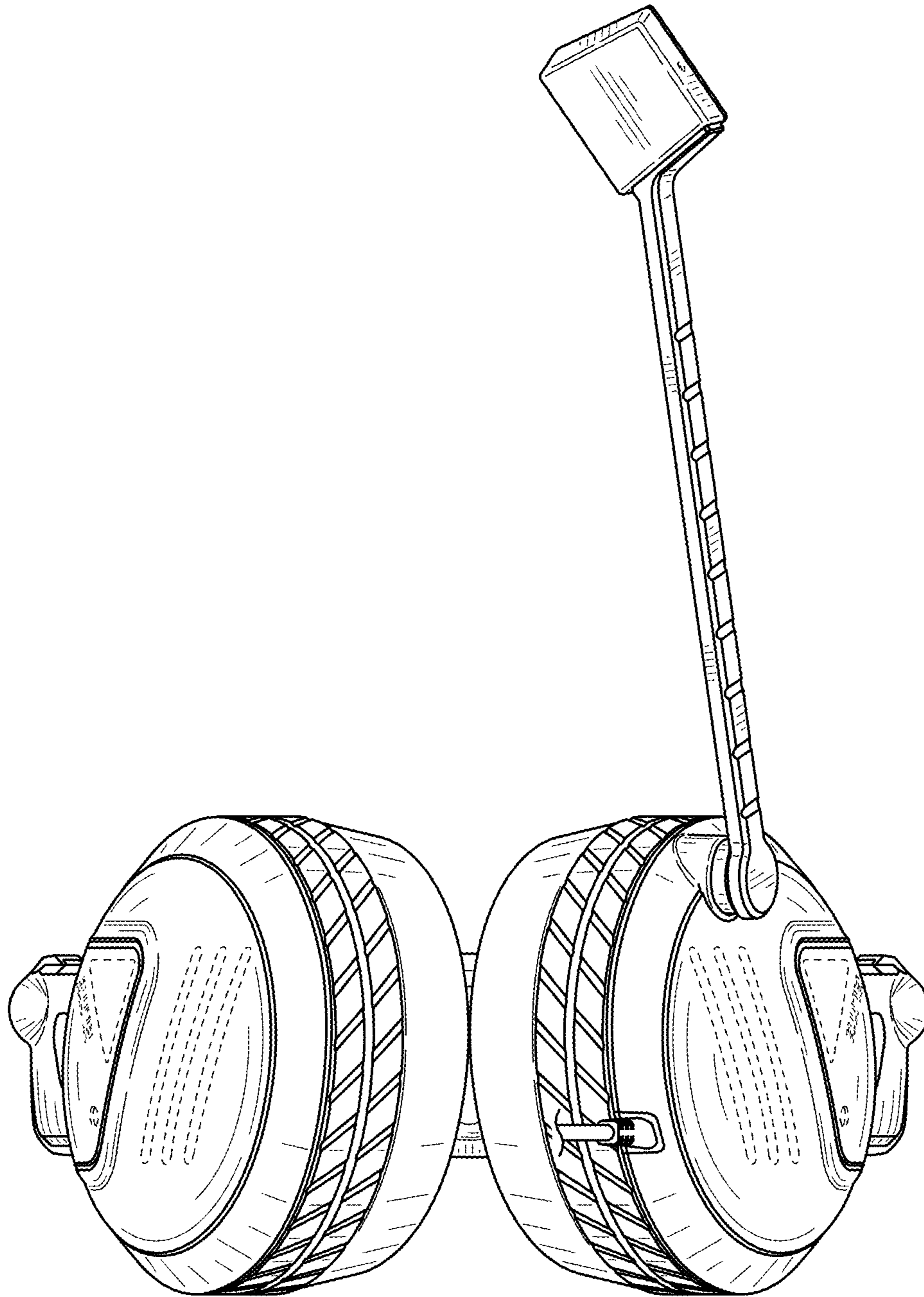


FIG. 7

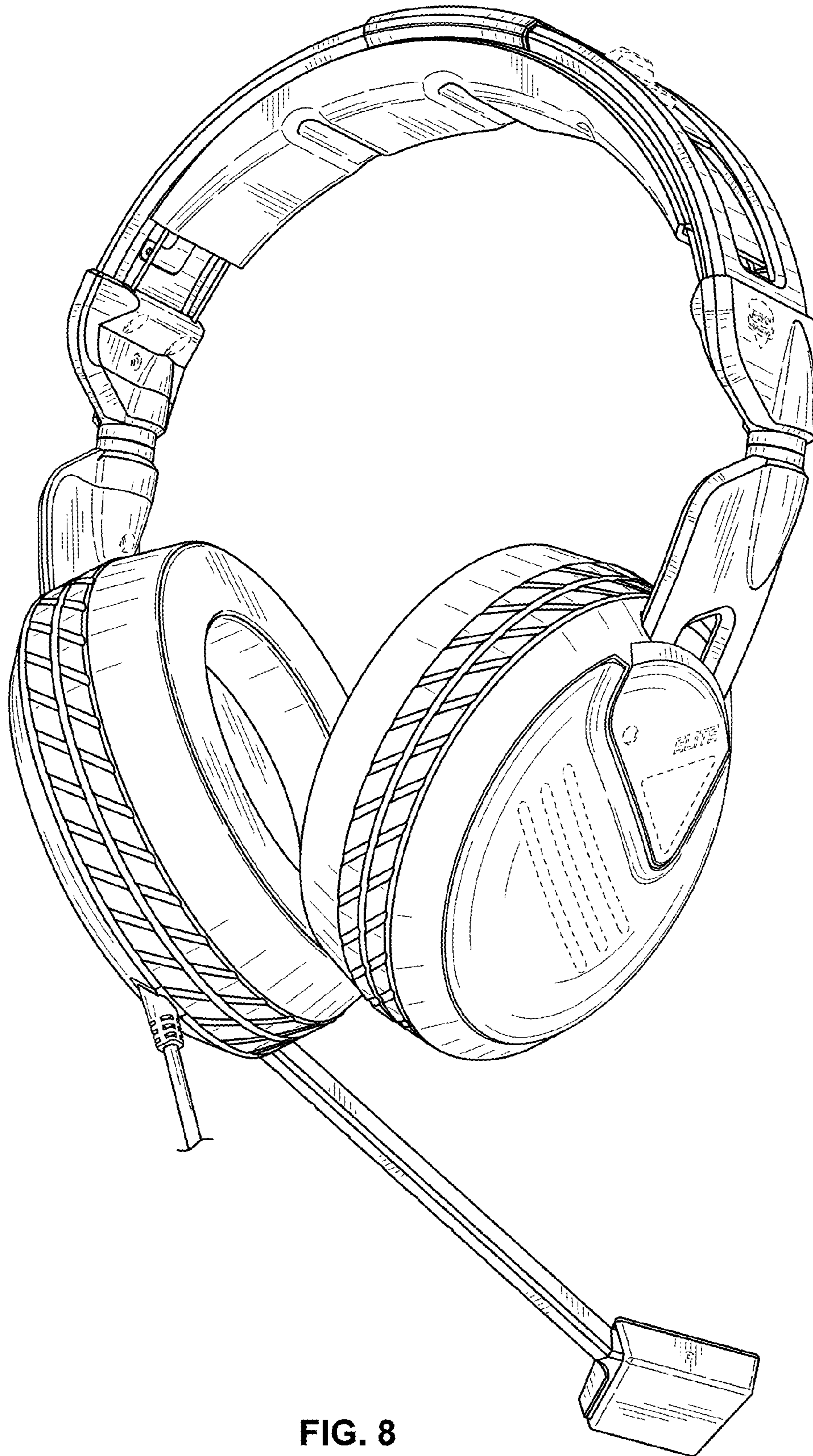


FIG. 8