



US00D745856S

(12) **United States Design Patent**
Lopez

(10) **Patent No.:** **US D745,856 S**

(45) **Date of Patent:** **** Dec. 22, 2015**

(54) **AUDIO GEAR**

(71) Applicant: **Carlos A. Lopez**, Miami, FL (US)

(72) Inventor: **Carlos A. Lopez**, Miami, FL (US)

(**) Term: **14 Years**

(21) Appl. No.: **29/500,597**

(22) Filed: **Aug. 26, 2014**

Related U.S. Application Data

(63) Continuation-in-part of application No. 29/466,965, filed on Sep. 13, 2013, now abandoned.

(51) **LOC (10) Cl.** **14-01**

(52) **U.S. Cl.**
USPC **D14/168; D14/215**

(58) **Field of Classification Search**
USPC D14/168–171, 188–198, 204–216;
455/90.1–90.3, 344–355; 312/7.1;
D7/605
CPC H04B 1/06; H04B 1/08; H04B 1/086
See application file for complete search history.

(56) **References Cited**

U.S. PATENT DOCUMENTS

5,979,175 A * 11/1999 Ellison 455/351
D475,361 S * 6/2003 Yoneda et al. D14/168

6,662,945 B1 * 12/2003 Chang 455/344
D491,167 S * 6/2004 Yokoyama D14/215
D499,612 S * 12/2004 Smith, Sr. D7/605
D542,263 S * 5/2007 Caspi et al. D14/168
D548,223 S * 8/2007 Hall D14/216
D587,245 S * 2/2009 Morra D14/215
D587,686 S * 3/2009 Lee D14/214
D590,373 S * 4/2009 Brickstad D14/215
D692,412 S 10/2013 Silvera

* cited by examiner

Primary Examiner — Sandra Morris

(74) *Attorney, Agent, or Firm* — Richard C Litman

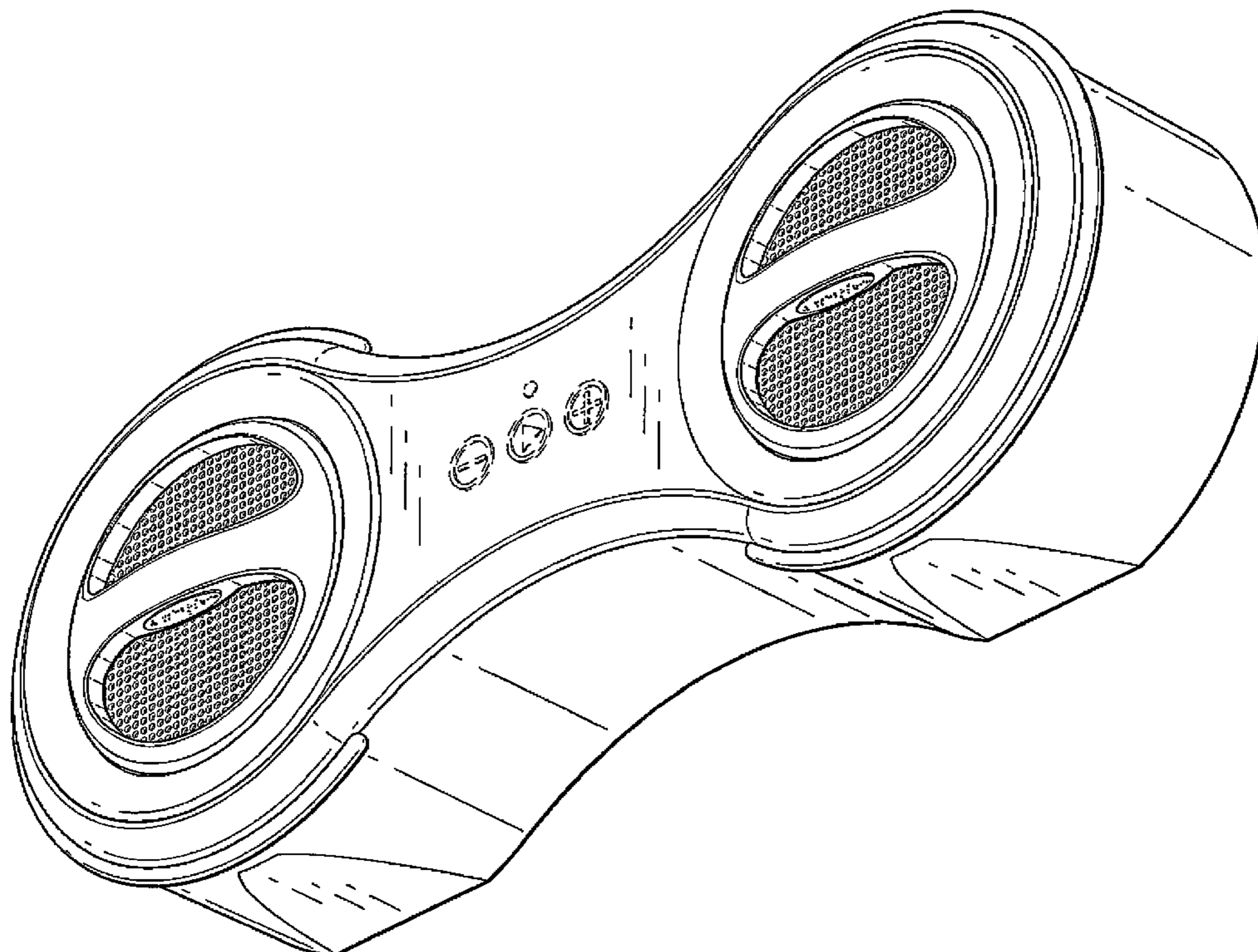
(57) **CLAIM**

The ornamental design for audio gear, as shown and described.

DESCRIPTION

FIG. 1 is a perspective view of audio gear showing my new design;
FIG. 2 is a front elevational view thereof;
FIG. 3 is a rear elevational view thereof;
FIG. 4 is a right side elevational view with the left side being a mirror image thereof;
FIG. 5 is a top view thereof;
FIG. 6 is a bottom view thereof; and,
FIG. 7 is an environmental perspective view thereof.
The broken line showing is for illustrative purposes only, and forms no part of the claimed design.

1 Claim, 7 Drawing Sheets



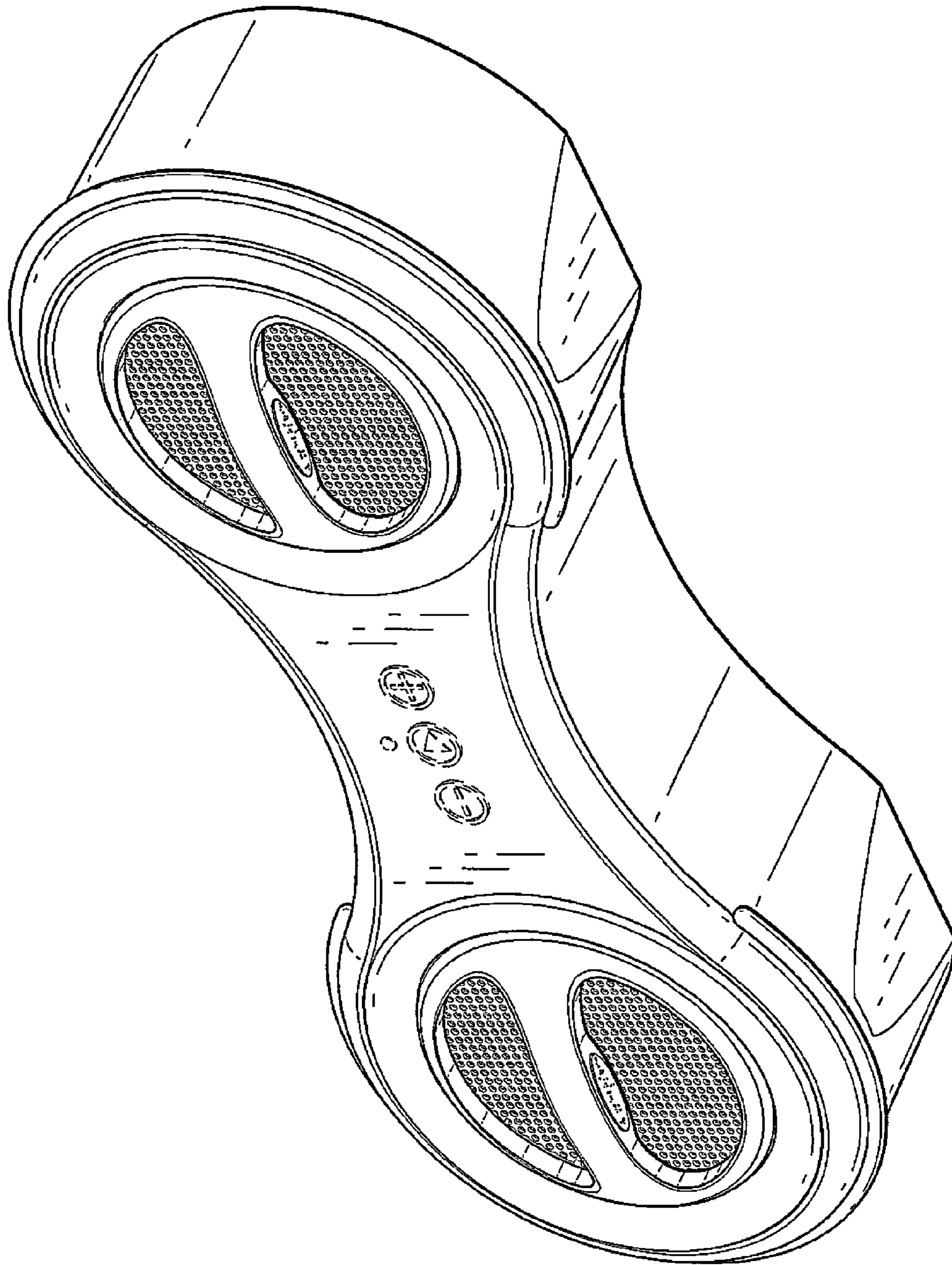


Fig. 1

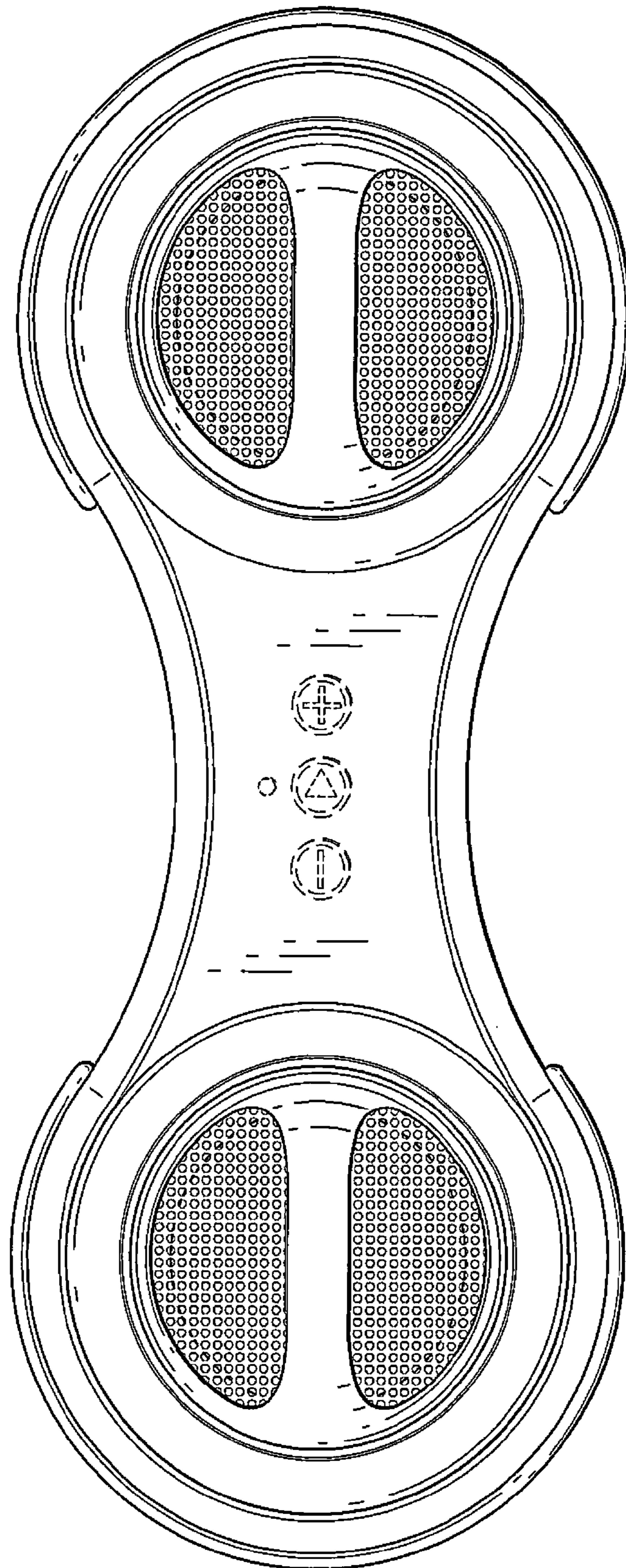


Fig. 2

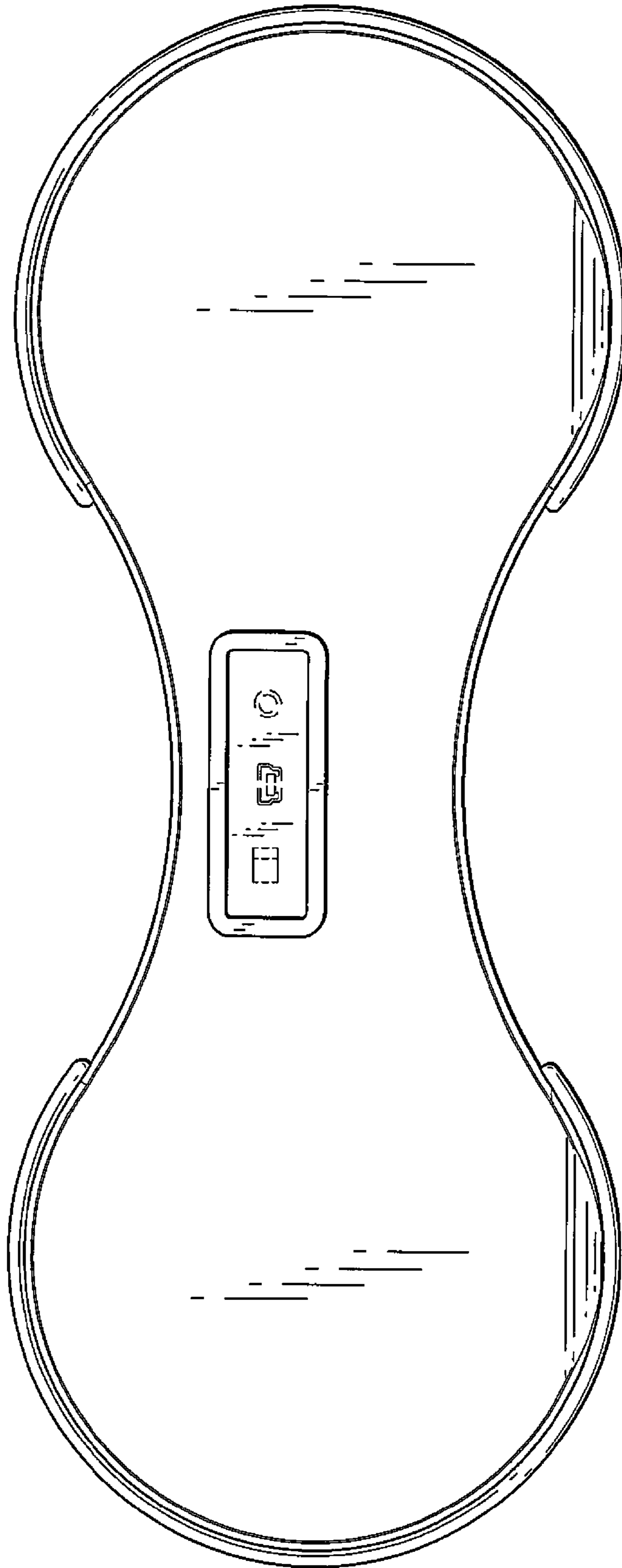


Fig. 3

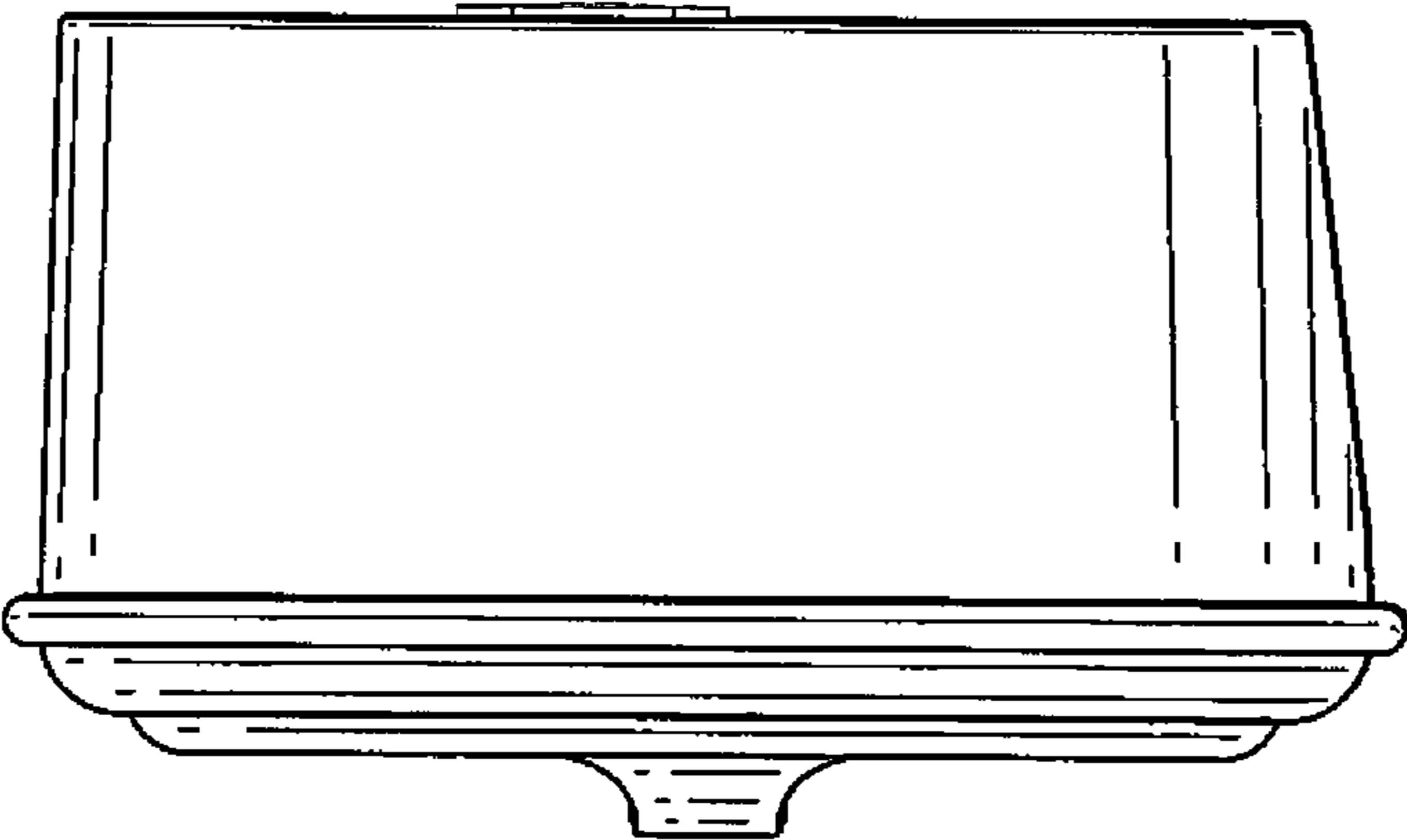


Fig. 4

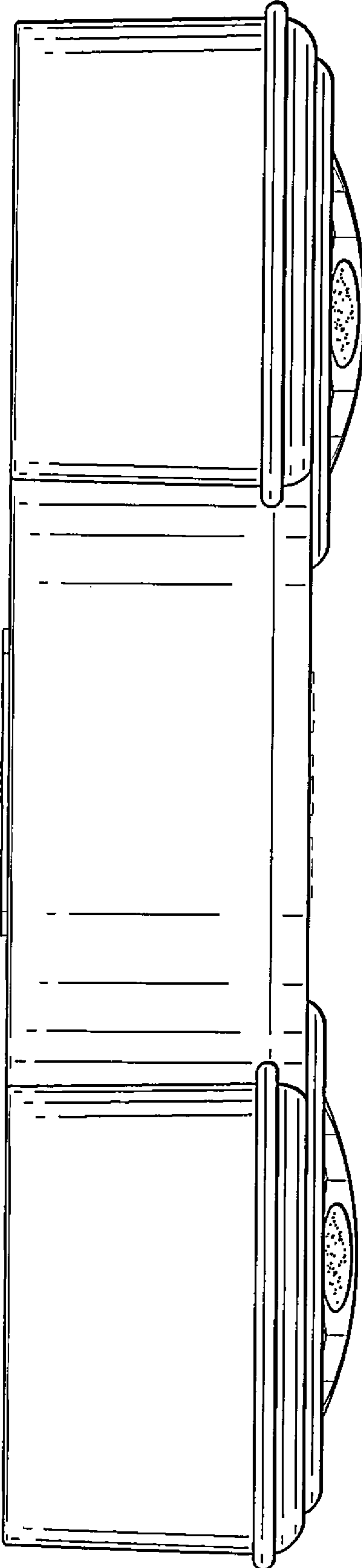


Fig. 5

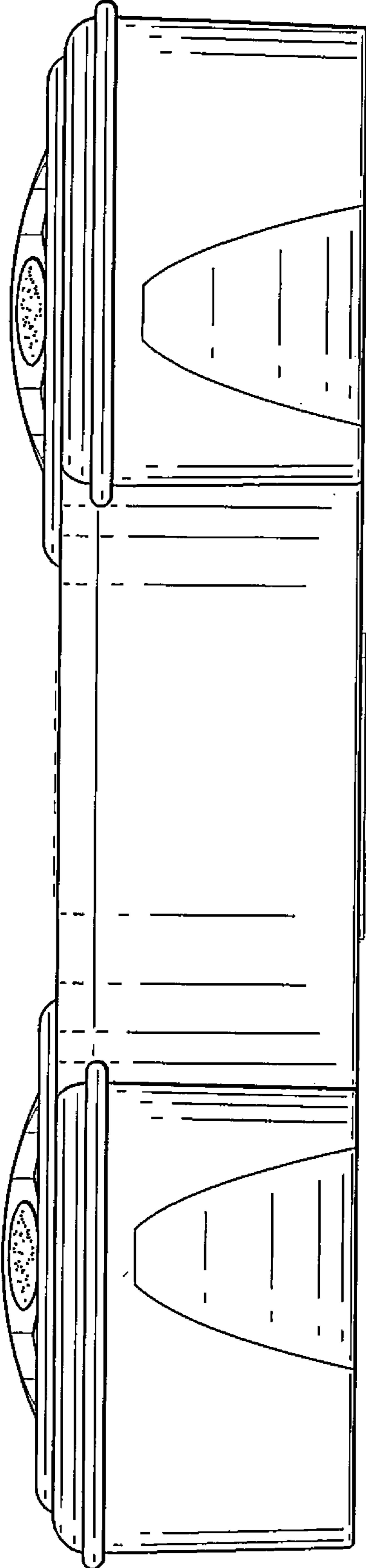


Fig. 6

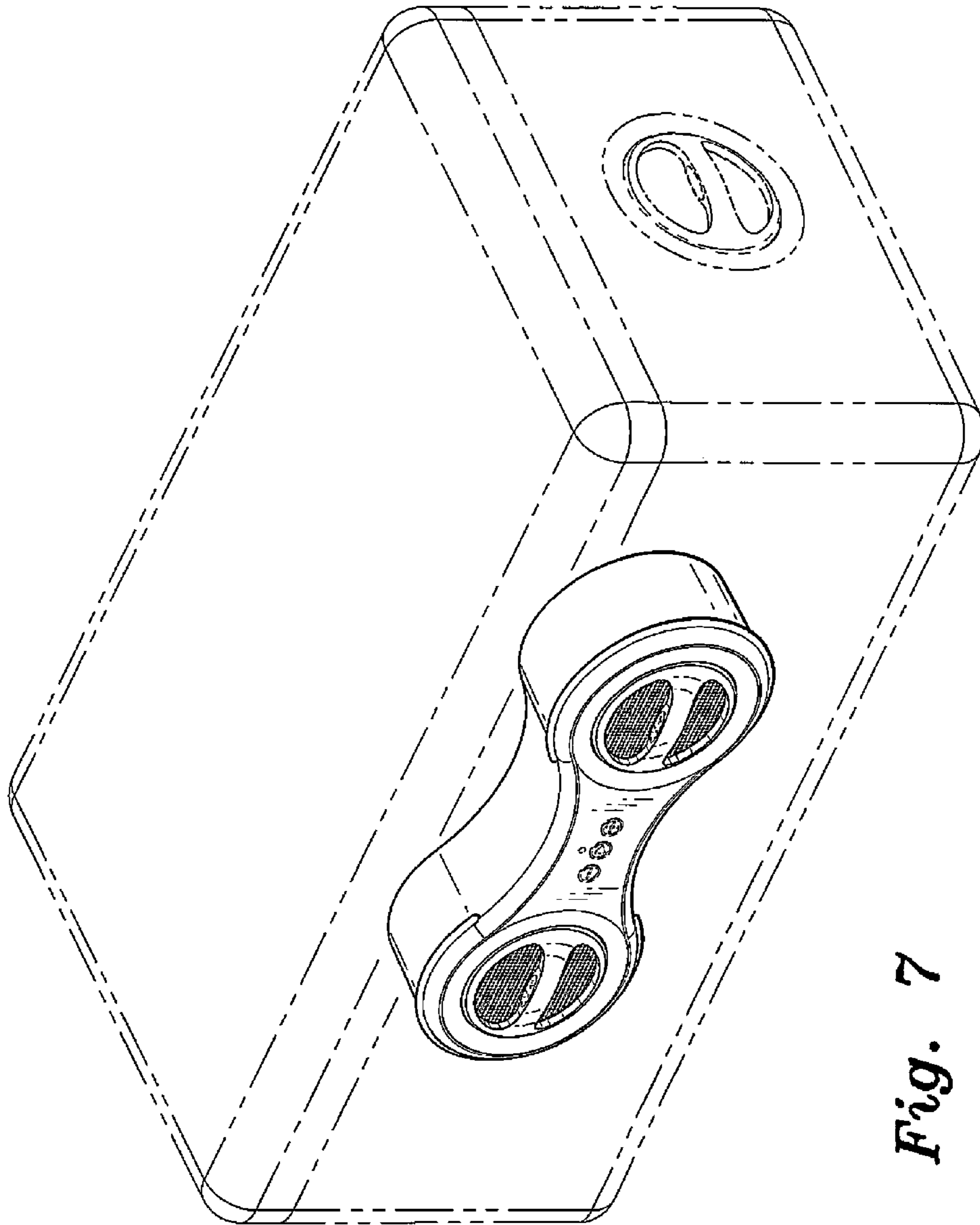


Fig. 7