



US00D745855S

(12) **United States Design Patent**  
**Chu**

(10) **Patent No.:** **US D745,855 S**

(45) **Date of Patent:** **\*\* Dec. 22, 2015**

(54) **HANDSET**

(71) Applicant: **Suzhou Snail Digital Technology Co., Ltd.**, Suzhou (CN)

(72) Inventor: **Haoran Chu**, Suzhou (CN)

(73) Assignee: **Suzhou Snail Digital Technology Co., Ltd.**, Jiangsu (CN)

(\*\*) Term: **14 Years**

(21) Appl. No.: **29/485,717**

(22) Filed: **Mar. 21, 2014**

(30) **Foreign Application Priority Data**

Jan. 20, 2014 (CN) ..... 2014 3 0014590

(51) **LOC (10) Cl.** ..... **14-03**

(52) **U.S. Cl.**  
USPC ..... **D14/138 G**

(58) **Field of Classification Search**

USPC ..... D14/138 G, 138 AC, 138 AD, 138 R,  
D14/203.1, 203.3, 203.5, 203.7, 218, 248,  
D14/257, 250, 341, 441, 443, 496;  
D21/517, 329, 331; D13/168; D10/65,  
D10/78; 455/556.1, 556.2, 575.1, 575.3,  
455/575.4, 566; 379/433.01, 433.04;  
361/679.3, 679.56

CPC ..... H04M 1/02; H04M 1/0202; H04M  
1/0202-1/035; H04M 1/0235; H04M 1/0237;  
H04M 1/0239; H04M 2250/22

See application file for complete search history.

(56) **References Cited**

**U.S. PATENT DOCUMENTS**

D583,791 S \* 12/2008 Minamide et al. .... D14/138 AB

D654,902 S \* 2/2012 Chung ..... D14/138 AD  
D664,518 S \* 7/2012 Ryu ..... D14/138 G  
D676,008 S \* 2/2013 Park et al. .... D14/138 G  
D676,459 S \* 2/2013 Hofer et al. .... D14/496  
D688,222 S \* 8/2013 Fujimura et al. .... D14/138 G  
D692,407 S \* 10/2013 Kim ..... D14/138 AD

(Continued)

**OTHER PUBLICATIONS**

LG Lucid 4g Phone, announced Mar. 2012, [online], [site visited Jan. 12, 2015]. Available from Internet, <URL: [http://www.gsmarena.com/lg\\_lucid\\_4g\\_vs840-4653.php](http://www.gsmarena.com/lg_lucid_4g_vs840-4653.php)>.\*

(Continued)

*Primary Examiner* — Rosemary K Tarcza

*Assistant Examiner* — Sanjeev Paul

(74) *Attorney, Agent, or Firm* — Joe Zheng

(57) **CLAIM**

I claim the ornamental design for a handset, as shown and described.

**DESCRIPTION**

FIG. 1 is a front perspective view of a handset showing my new design;

FIG. 2 is a rear perspective view thereof;

FIG. 3 is a front view thereof;

FIG. 4 is a rear view thereof;

FIG. 5 is a left view thereof;

FIG. 6 is a right view thereof;

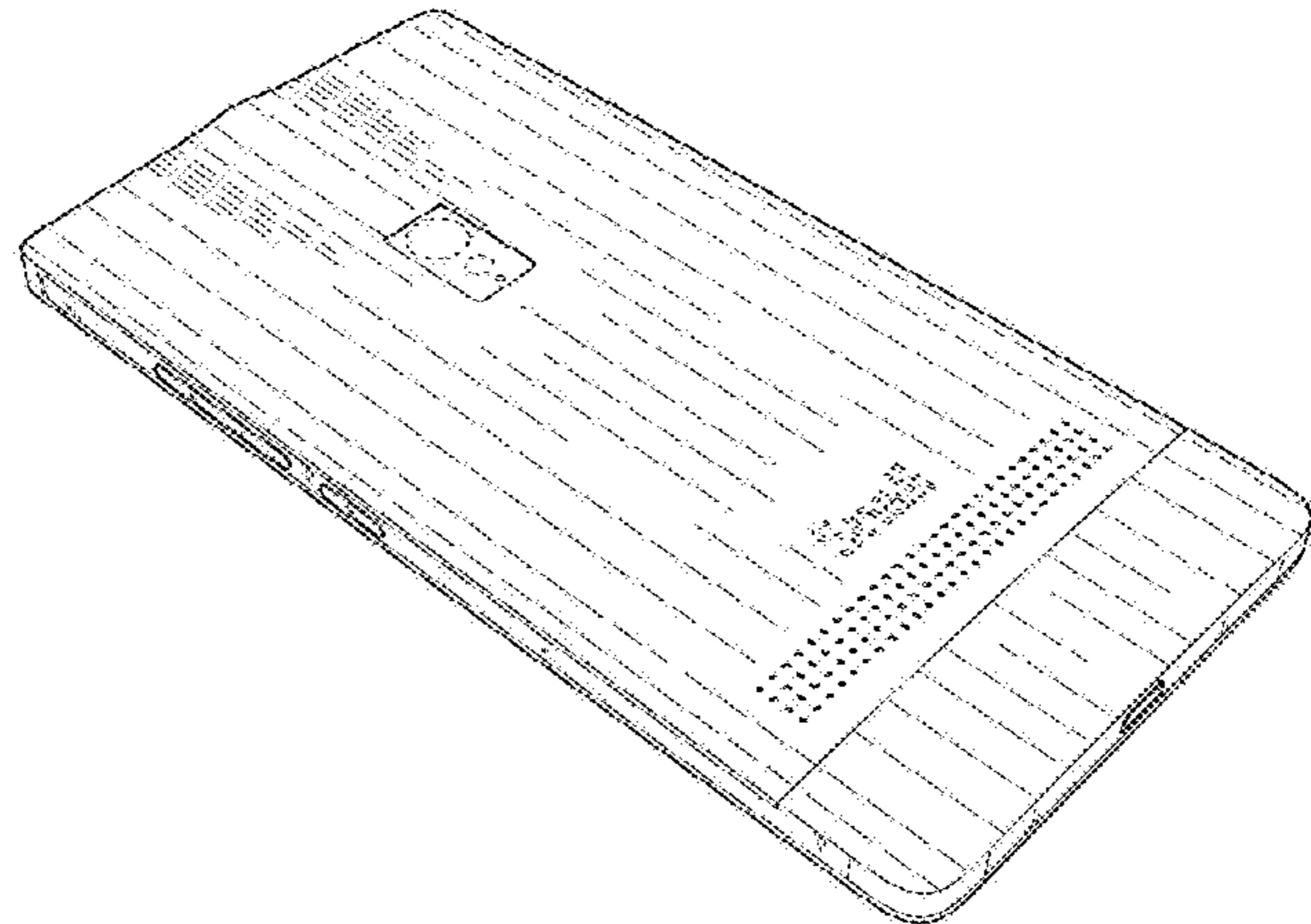
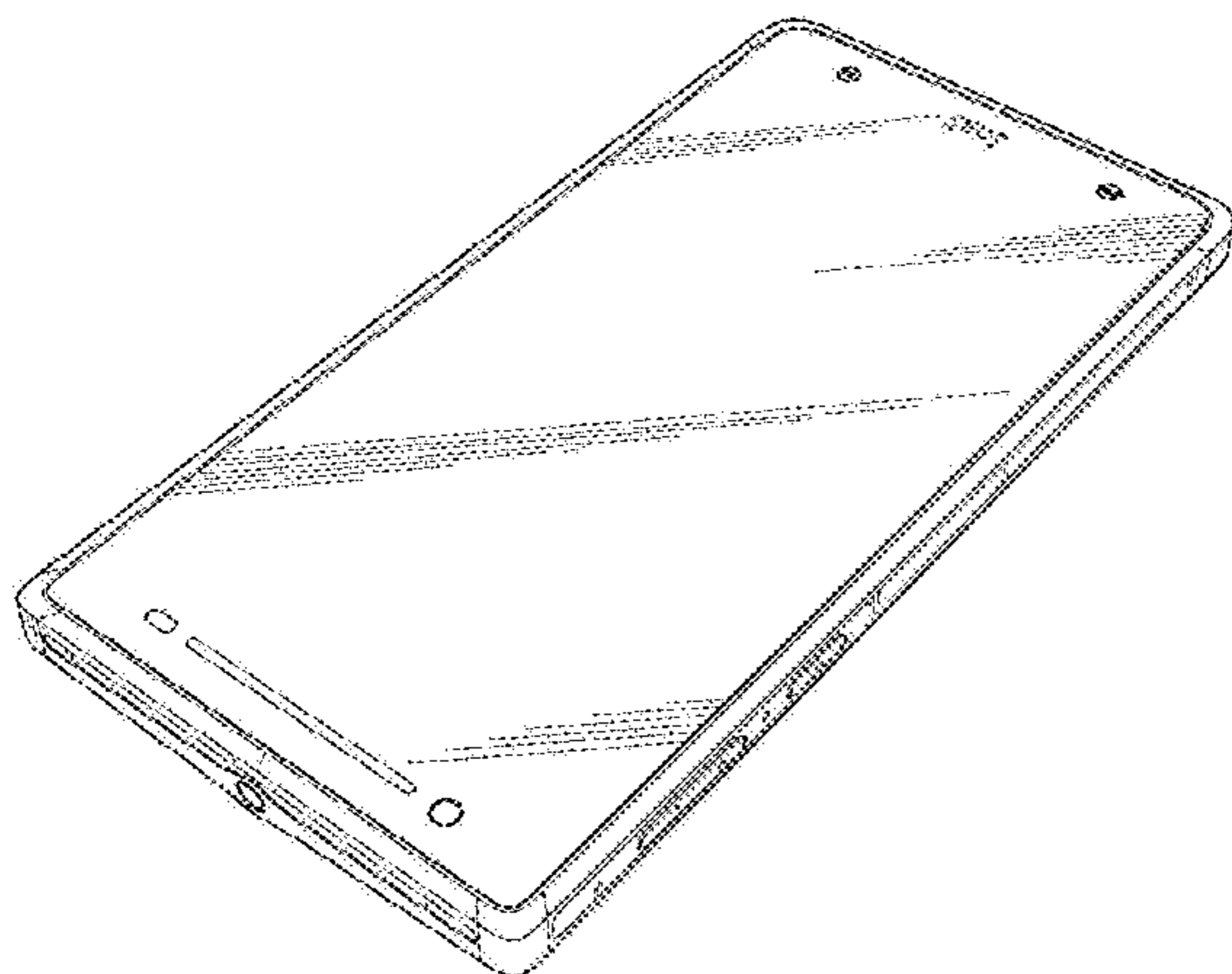
FIG. 7 is a top view thereof; and,

FIG. 8 is a bottom view thereof.

The broken line showing on the handset is included for the purpose of illustrating only and forms no part of the claimed design.

“Snail” shown in the drawing disclosure is a registered trademark of Suzhou Snail Electronic Co. Ltd., Suzhou, Jiangsu, China

**1 Claim, 8 Drawing Sheets**



(56)

References Cited

U.S. PATENT DOCUMENTS

D693,785 S \* 11/2013 Sutherland et al. .... D14/138 G  
 D695,256 S \* 12/2013 Kim ..... D14/138 G  
 D699,700 S \* 2/2014 Yoo et al. .... D14/138 G  
 D700,161 S \* 2/2014 Yoshihara ..... D14/138 G  
 D703,632 S \* 4/2014 Lim et al. .... D14/138 G  
 D704,159 S \* 5/2014 Daniel ..... D14/138 G  
 D705,775 S \* 5/2014 Canizares et al. .... D14/341  
 D712,384 S \* 9/2014 Hibi ..... D14/248  
 D712,861 S \* 9/2014 Fujimura et al. .... D14/138 G  
 D713,368 S \* 9/2014 Kim et al. .... D14/138 G  
 D713,373 S \* 9/2014 Hibi ..... D14/138 G  
 D713,810 S \* 9/2014 Boucquey et al. .... D14/138 G  
 D716,248 S \* 10/2014 Hill et al. .... D14/138 G  
 D717,263 S \* 11/2014 Wozniak ..... D14/138 G  
 D718,266 S \* 11/2014 Zhang et al. .... D14/138 G  
 D718,268 S \* 11/2014 Wu et al. .... D14/138 G  
 D719,121 S \* 12/2014 Kim et al. .... D14/138 G  
 D720,712 S \* 1/2015 Park et al. .... D14/138 G  
 2011/0151936 A1 \* 6/2011 Jang et al. .... 455/566

OTHER PUBLICATIONS

Nokia 5330 xpress music Phone, announced Mar. 2009, [online], [site visited Jan. 12, 2015]. Available from Internet, <URL: [http://www.gsmarena.com/nokia\\_5330\\_xpressmusic-2744.php](http://www.gsmarena.com/nokia_5330_xpressmusic-2744.php)>.\*  
 Philips F718 Phone, announced Nov. 2010, [online], [site visited Jan. 12, 2015]. Available from Internet, <URL: [http://www.gsmarena.com/philips\\_f718-3663.php](http://www.gsmarena.com/philips_f718-3663.php)>.\*  
 Samsung I8530 Galaxy Beam F718 Phone, announced Feb. 2012, [online], [site visited Jan. 26, 2015]. Available from Internet, <[http://www.gsmarena.com/samsung\\_i8530\\_galaxy\\_beam-4566.php](http://www.gsmarena.com/samsung_i8530_galaxy_beam-4566.php)>.\*  
 Sony Xperia Z Ultra Phone, announced Jun. 2013, [online], [site visited Jan. 6, 2015]. Available from Internet, <URL: [http://www.gsmarena.com/sony\\_xperia\\_z\\_ultra-5540.php](http://www.gsmarena.com/sony_xperia_z_ultra-5540.php)>.\*  
 Lenovo Vibe Z2 Pro Phone, announced Aug. 2014, [online], [site visited Jan. 6, 2015]. Available from Internet, <URL: [http://www.gsmarena.com/lenovo\\_vibe\\_z2\\_pro-6396.php](http://www.gsmarena.com/lenovo_vibe_z2_pro-6396.php)>.\*  
 Samsung Galaxy Beam2 Phone, announced Feb. 2014, [online], [site visited Jan. 26, 2015]. Available from Internet, <URL: [http://www.gsmarena.com/samsung\\_galaxy\\_beam2-6328.php](http://www.gsmarena.com/samsung_galaxy_beam2-6328.php)>.\*

\* cited by examiner

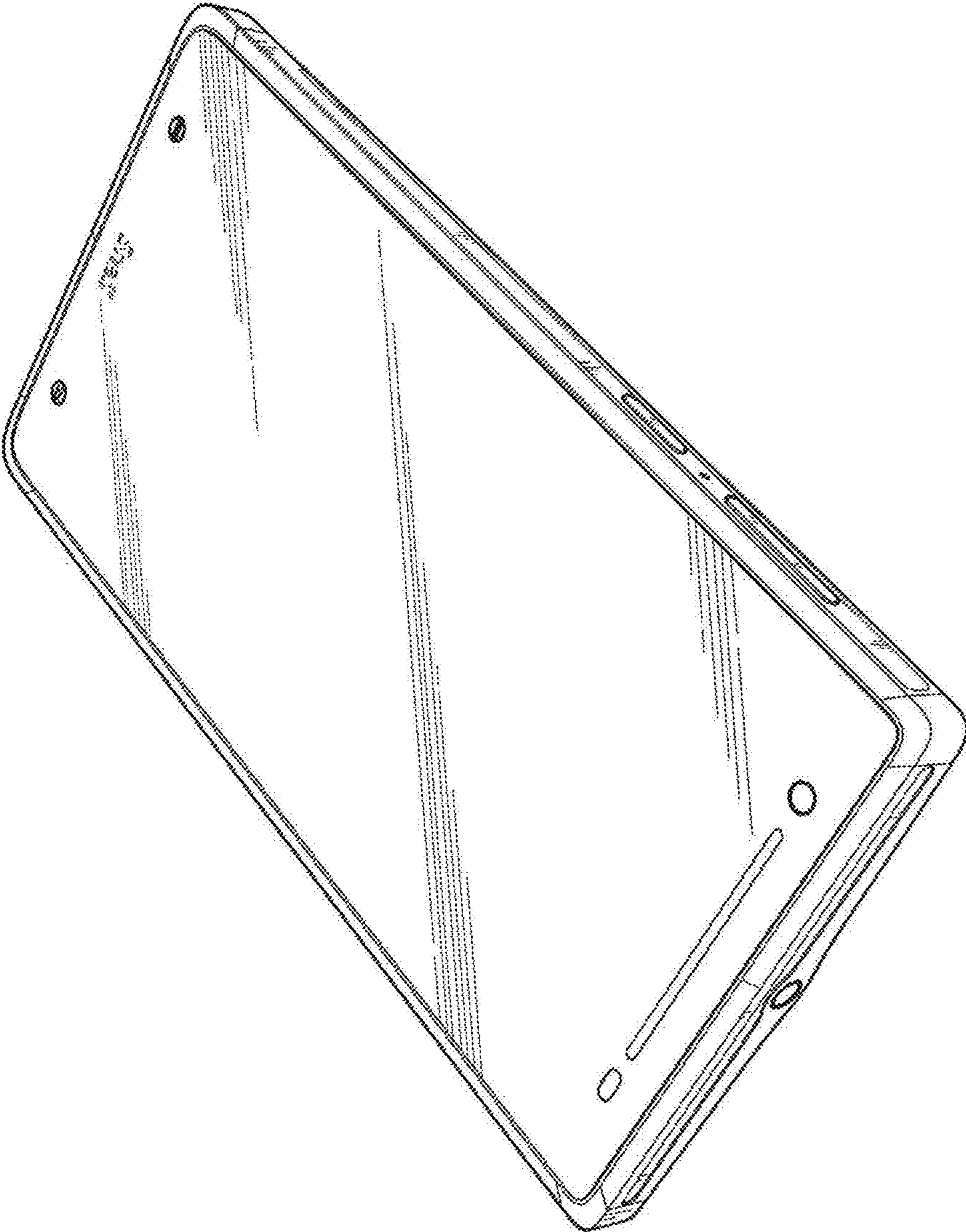


FIG. 1

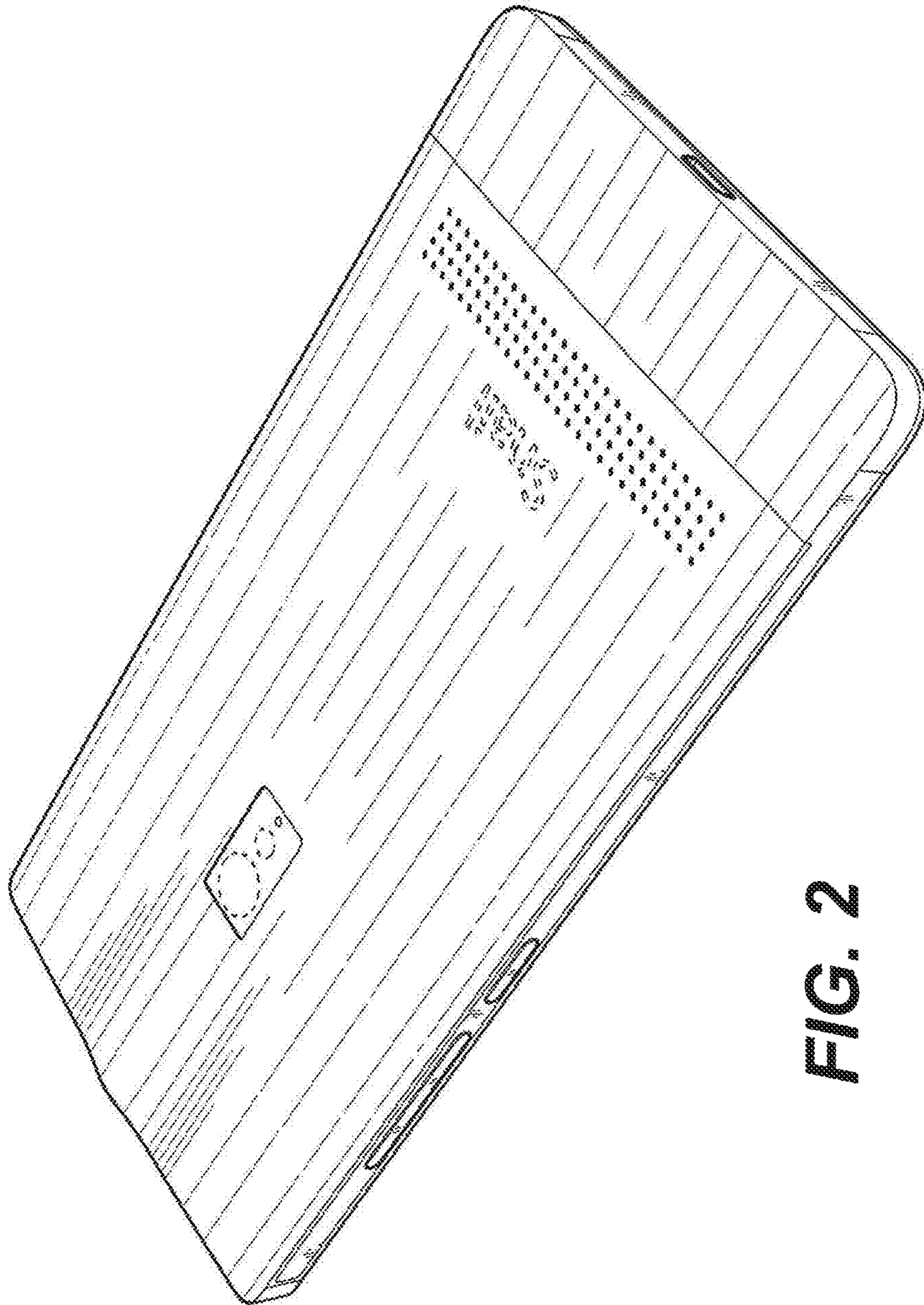


FIG. 2

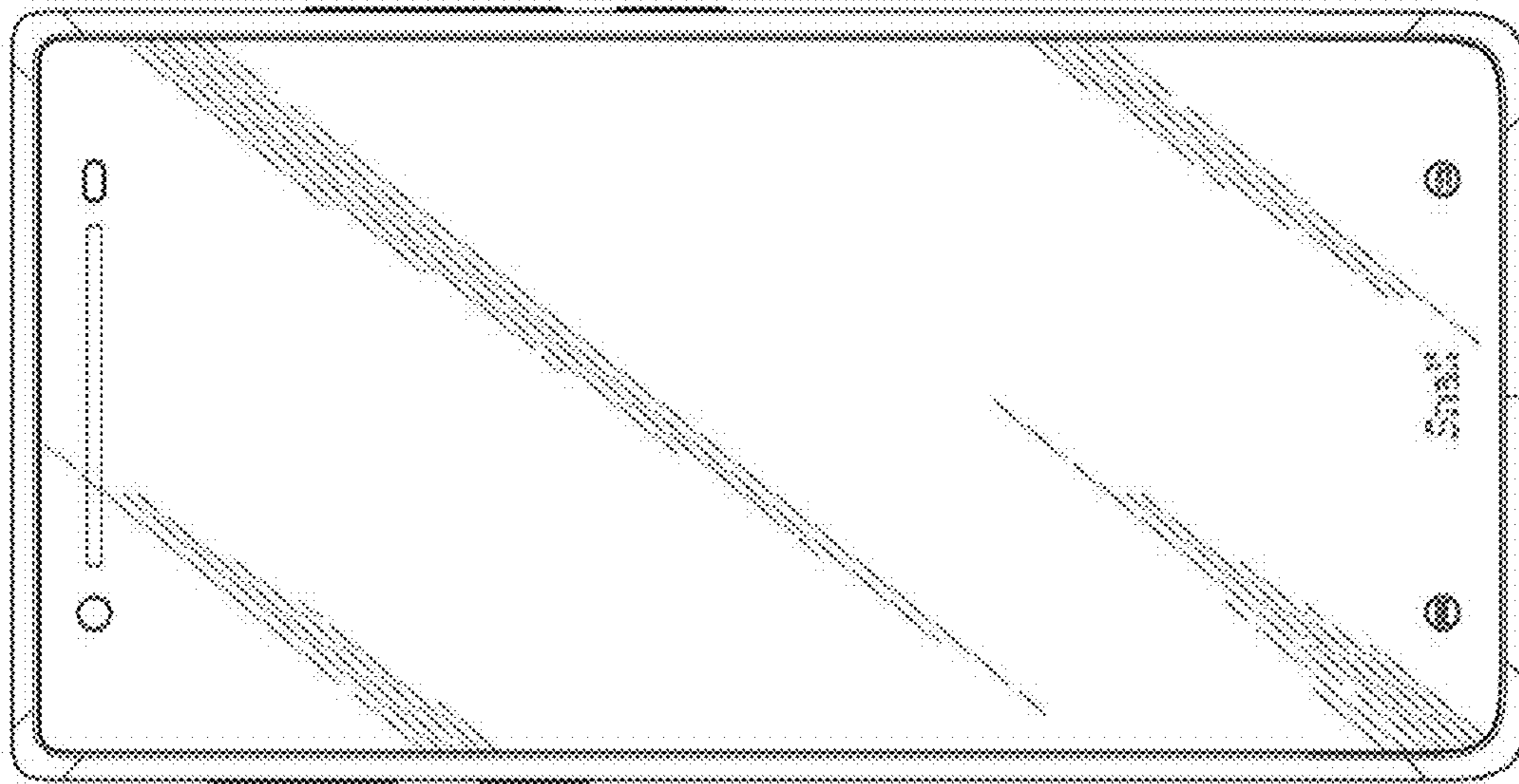


FIG. 3

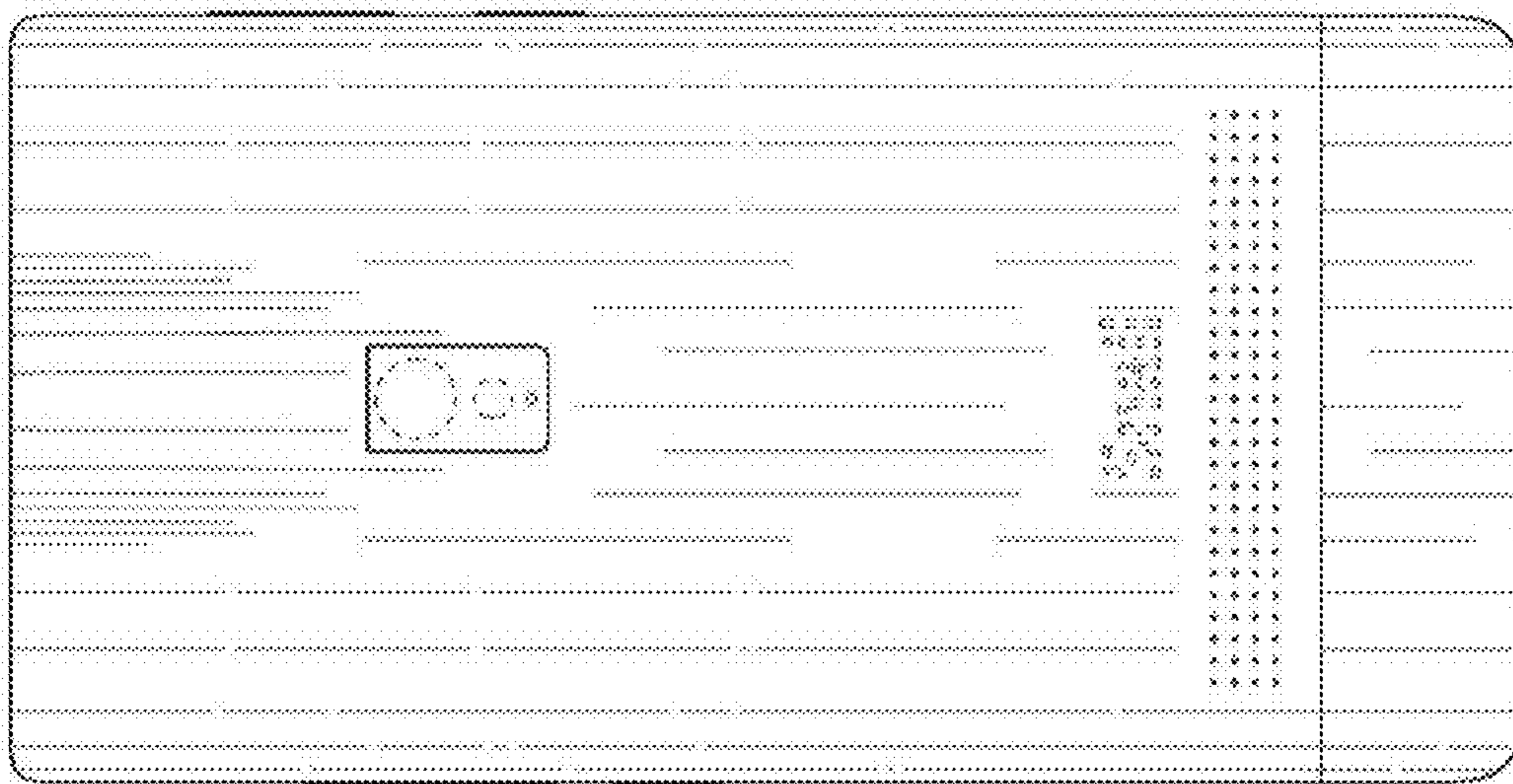


FIG. 4



FIG. 5

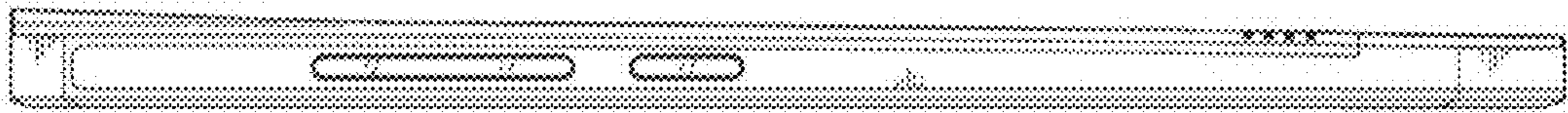
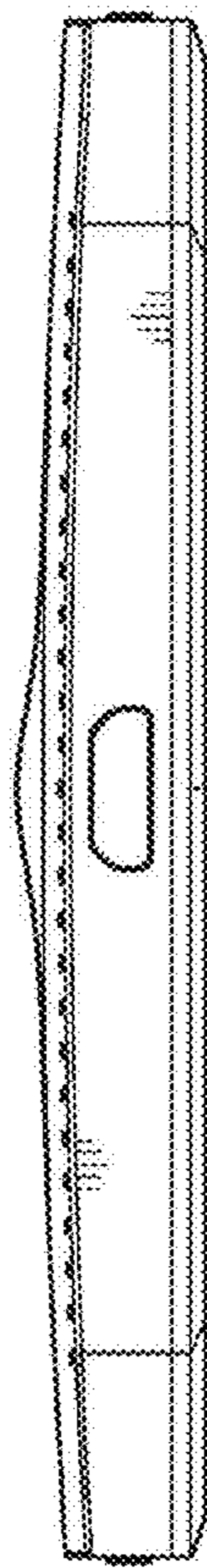


FIG. 6





**FIG. 7**



**FIG. 8**