



US00D745854S

(12) **United States Design Patent**  
**Snyder et al.**

(10) **Patent No.:** **US D745,854 S**

(45) **Date of Patent:** **\*\* Dec. 22, 2015**

(54) **TELEVISION RECEIVER**

(71) Applicant: **Samsung Electronics Co., Ltd.**,  
Suwon-si (KR)

(72) Inventors: **Dan Snyder**, San Francisco, CA (US);  
**Liam Adelman**, San Francisco, CA  
(US); **Noah Murphy-Reinhertz**, San  
Francisco, CA (US); **Yves Behar**, San  
Francisco, CA (US); **Dong Hee Won**,  
Seoul (KR)

(73) Assignee: **Samsung Electronics Co., Ltd.**,  
Suwon-si (KR)

(\*\*) Term: **14 Years**

(21) Appl. No.: **29/467,917**

(22) Filed: **Sep. 25, 2013**

(30) **Foreign Application Priority Data**

Mar. 25, 2013 (KR) ..... 30-2013-0015154

(51) **LOC (10) Cl.** ..... **14-03**

(52) **U.S. Cl.**  
USPC ..... **D14/126**

(58) **Field of Classification Search**  
USPC ..... D14/371-382, 125-134, 239, 448-452,  
D14/136, 341, 479, 389, 397, 308, 412, 157,  
D14/155, 511; 361/679.02; 348/836, 838,  
348/180, 184, 325, 739; 248/917-924, 465;  
345/104; D6/300, 301, 302, 308,  
D6/310-314

CPC ..... G01F 1/1601  
See application file for complete search history.

(56) **References Cited**

**U.S. PATENT DOCUMENTS**

7,681,848 B2 \* 3/2010 Choi ..... 248/917  
D668,237 S \* 10/2012 Chino et al. .... D14/126

D701,855 S \* 4/2014 Kumano et al. .... D14/239  
D708,157 S \* 7/2014 Park ..... D14/126  
D708,596 S \* 7/2014 Park ..... D14/126  
D716,244 S \* 10/2014 Kim et al. .... D14/126  
D716,245 S \* 10/2014 Kim ..... D14/126  
D719,119 S \* 12/2014 Park et al. .... D14/126  
D722,989 S \* 2/2015 Park et al. .... D14/126  
2006/0268496 A1 \* 11/2006 Wang et al. .... 248/917  
2007/0108359 A1 \* 5/2007 Lee et al. .... 248/922

**FOREIGN PATENT DOCUMENTS**

EP 2555082 A2 \* 2/2013

\* cited by examiner

*Primary Examiner* — Susan Bennett Hattan

*Assistant Examiner* — Brett Miller

(74) *Attorney, Agent, or Firm* — NSIP Law

(57) **CLAIM**

The ornamental design for a television receiver, as shown and described.

**DESCRIPTION**

FIG. 1 is a front perspective view of a television receiver showing our new design;

FIG. 2 is a front view thereof;

FIG. 3 is a rear view thereof;

FIG. 4 is a left-side view thereof;

FIG. 5 is a right-side view thereof;

FIG. 6 is a top view thereof;

FIG. 7 is a bottom view thereof;

FIG. 8 is a rear perspective view thereof; and,

FIG. 9 is an enlarged view of the encircled portion in FIG. 2.

The broken lines are for environmental purposes only and form no part of the claimed design.

The dot-dash broken lines encircling portions of the claimed design that are illustrated in enlargements form no part of the claimed design.

**1 Claim, 9 Drawing Sheets**

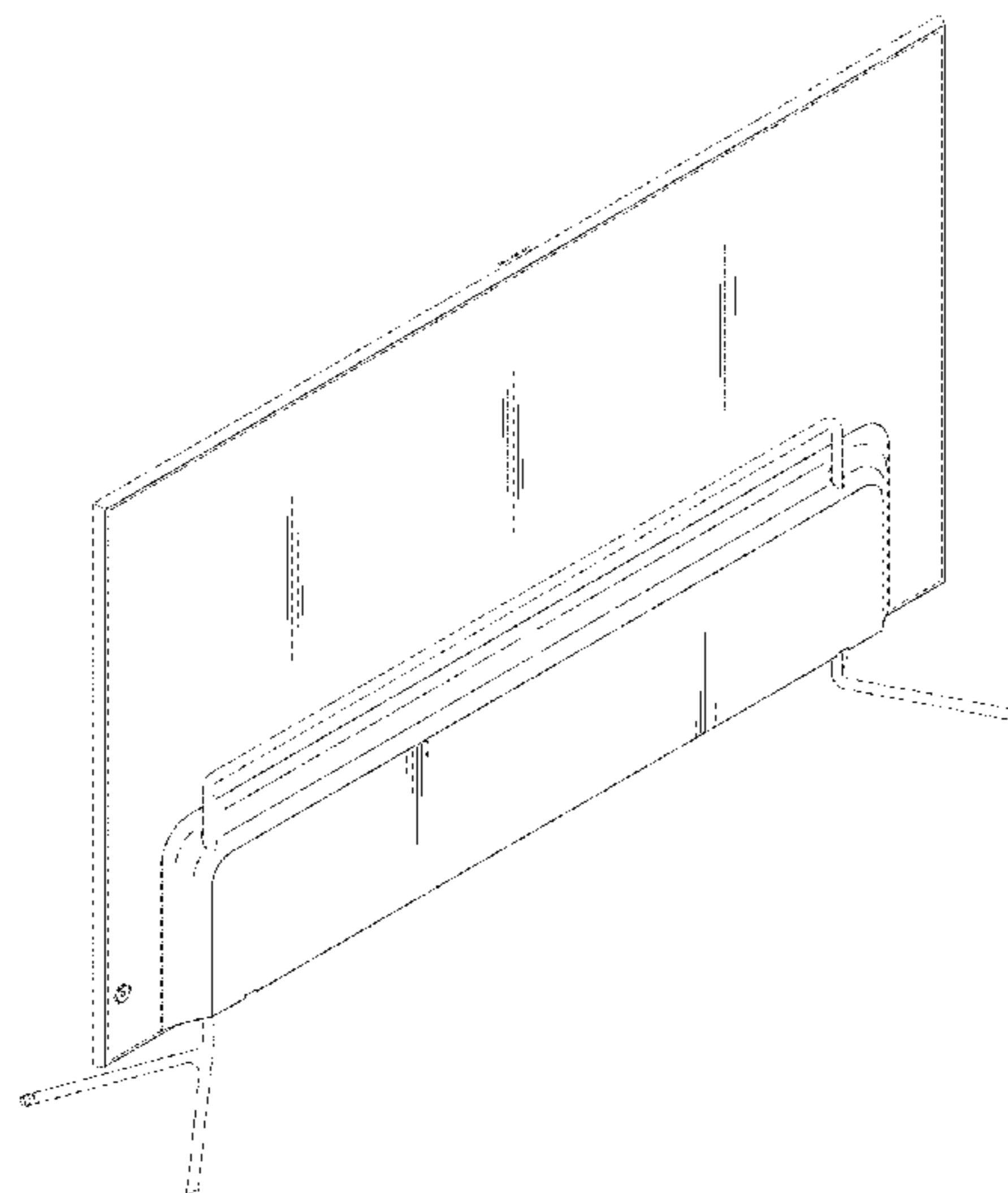


FIG.1

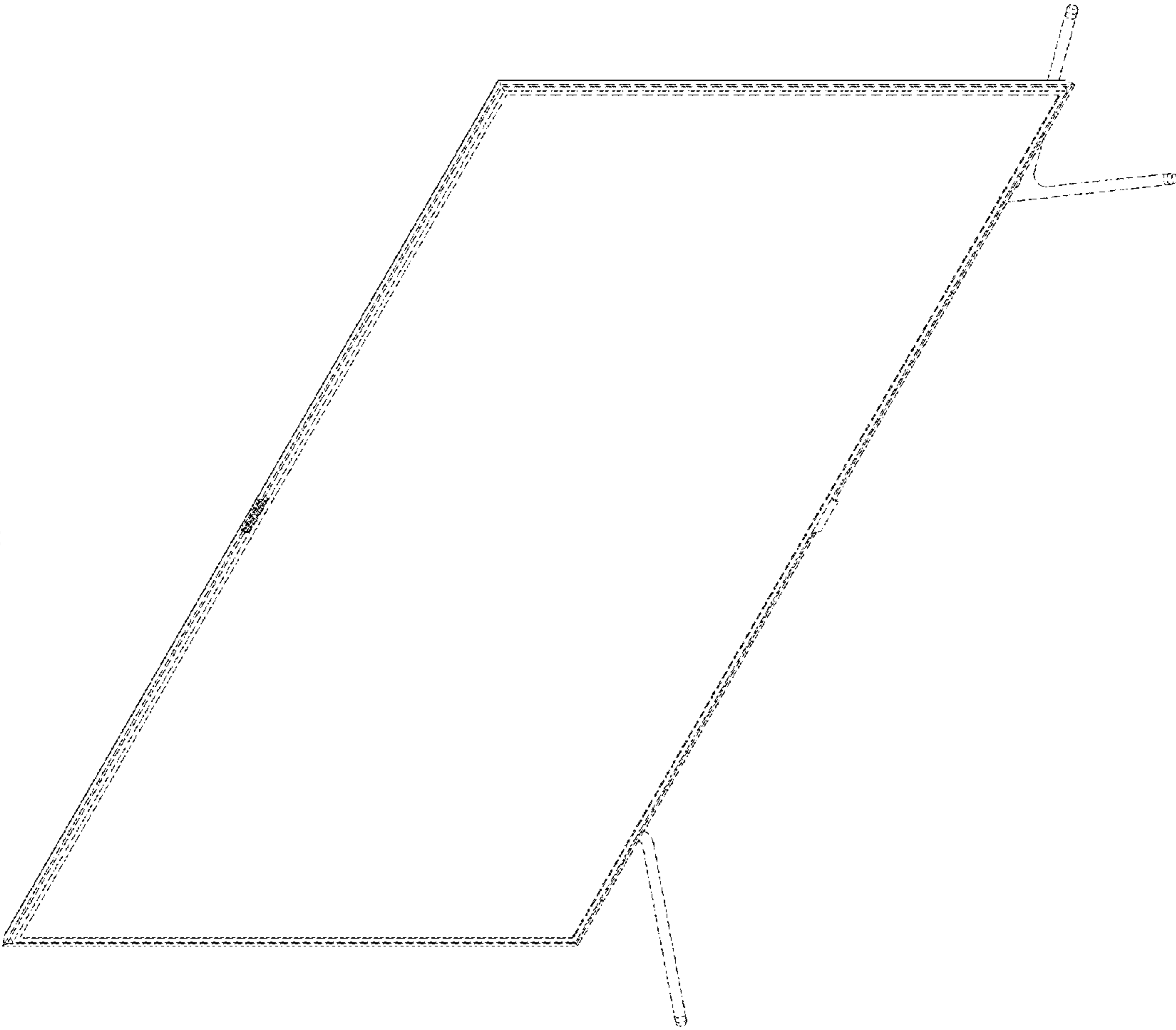


FIG.2

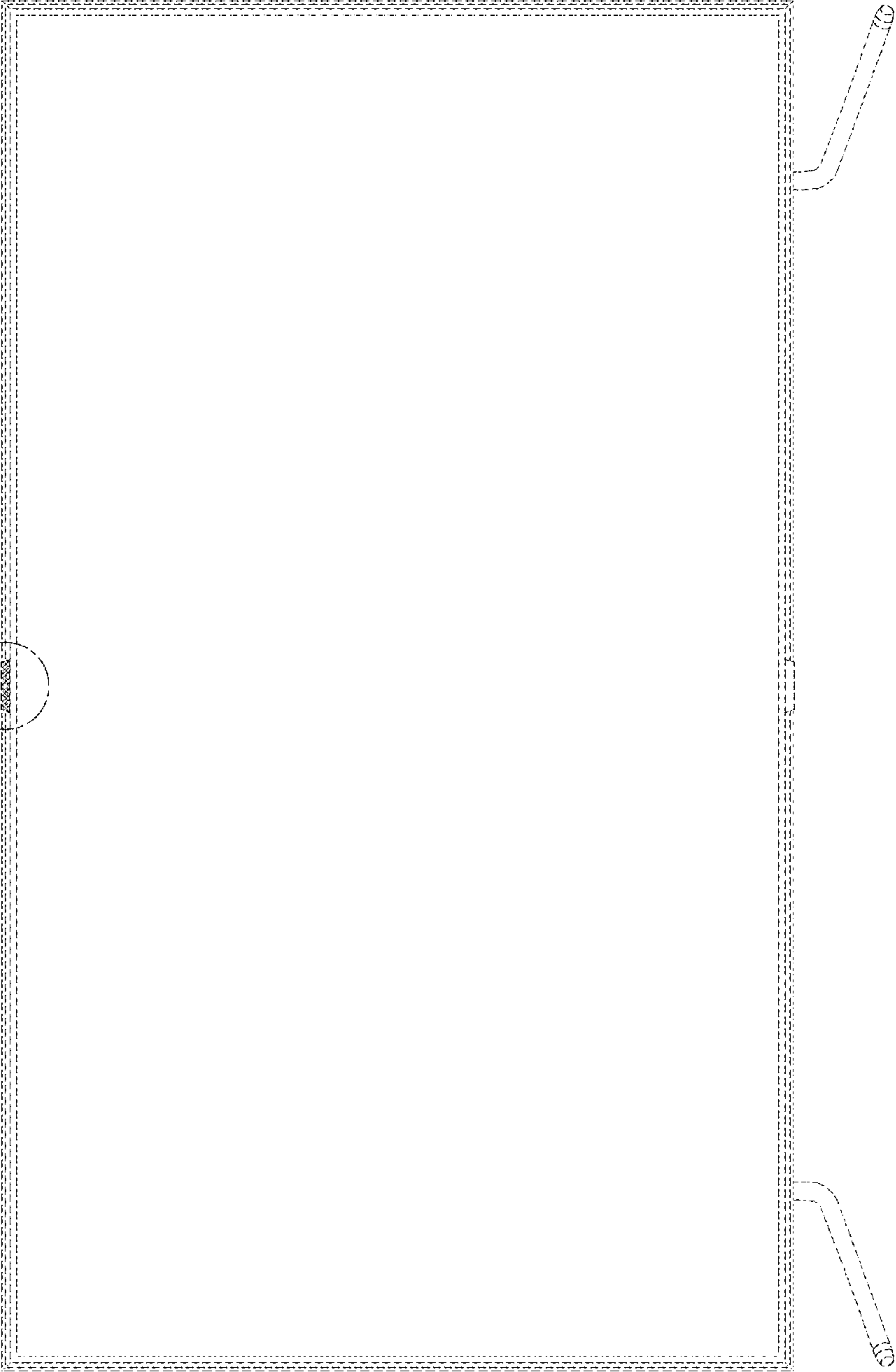
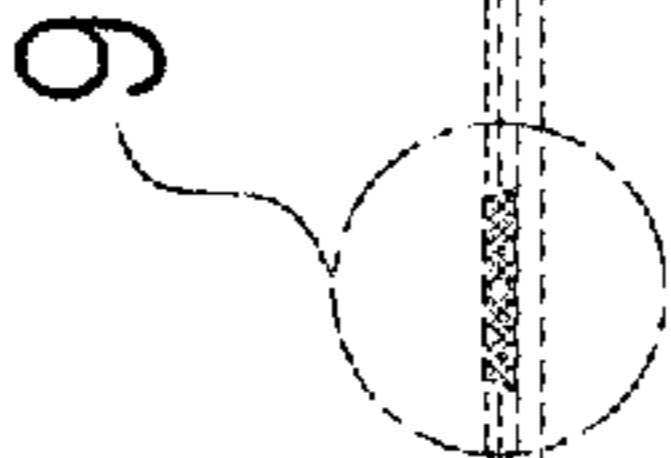


FIG. 3

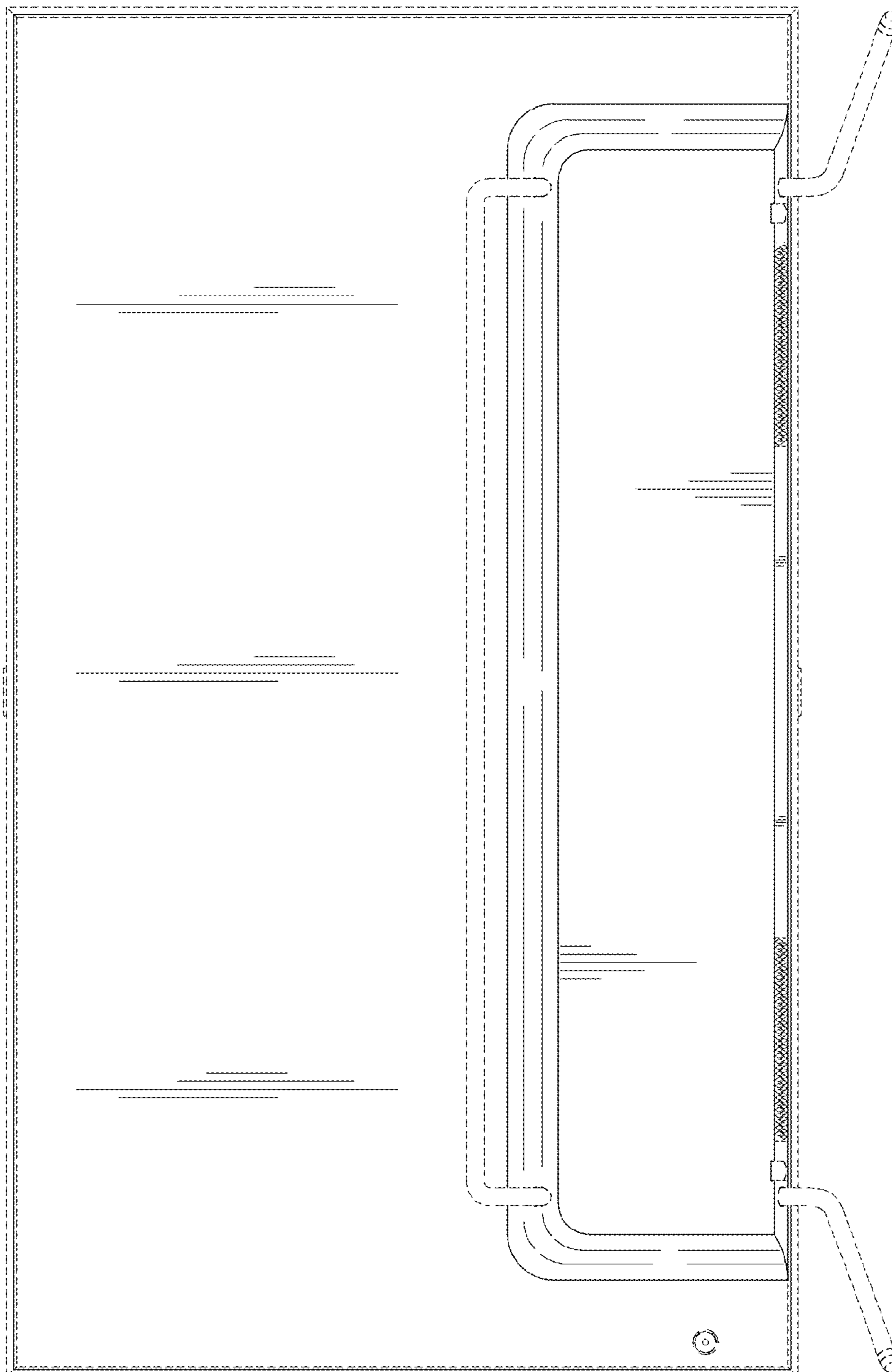


FIG.4

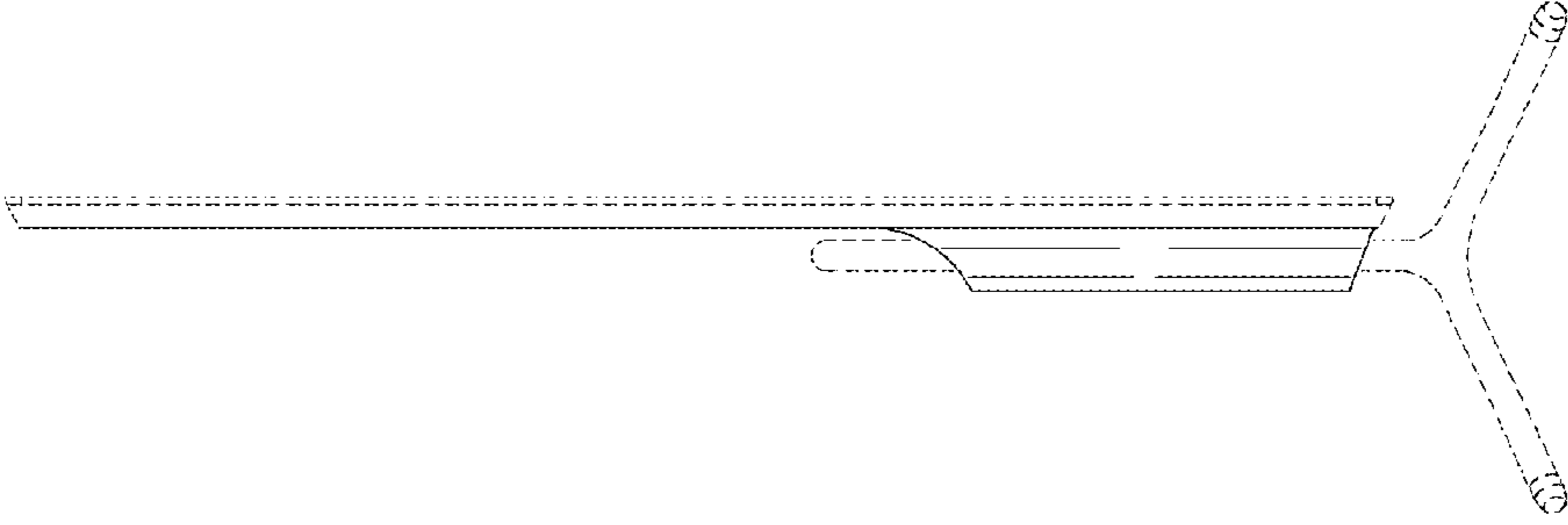


FIG. 5

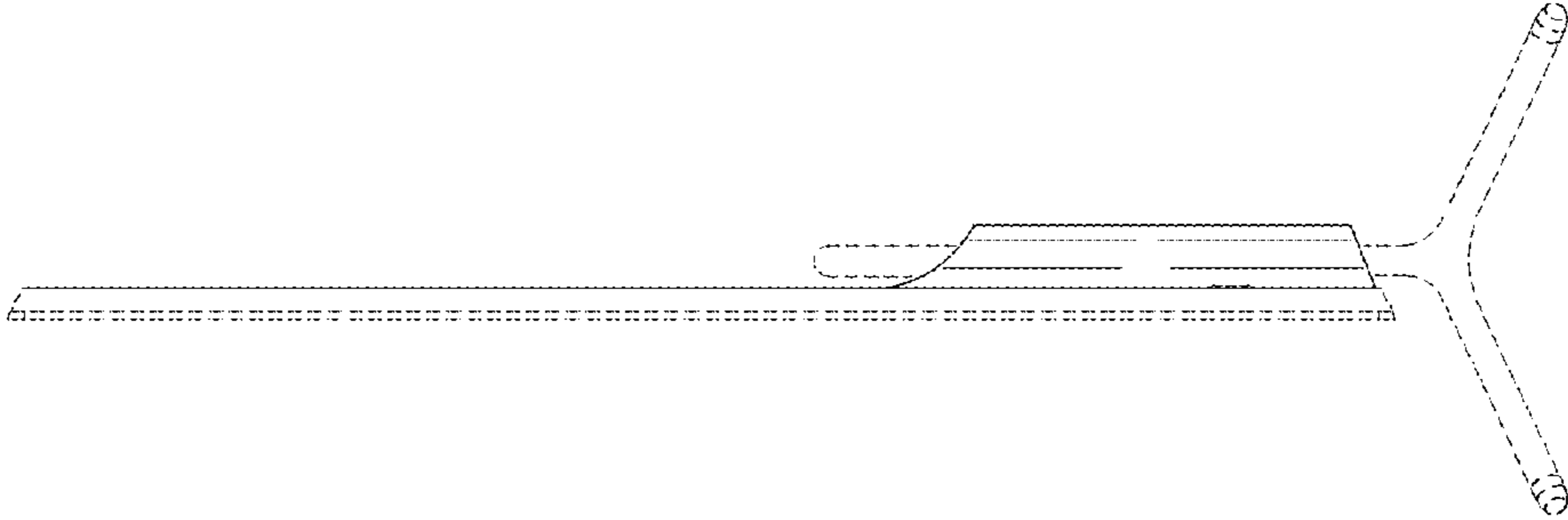


FIG.6

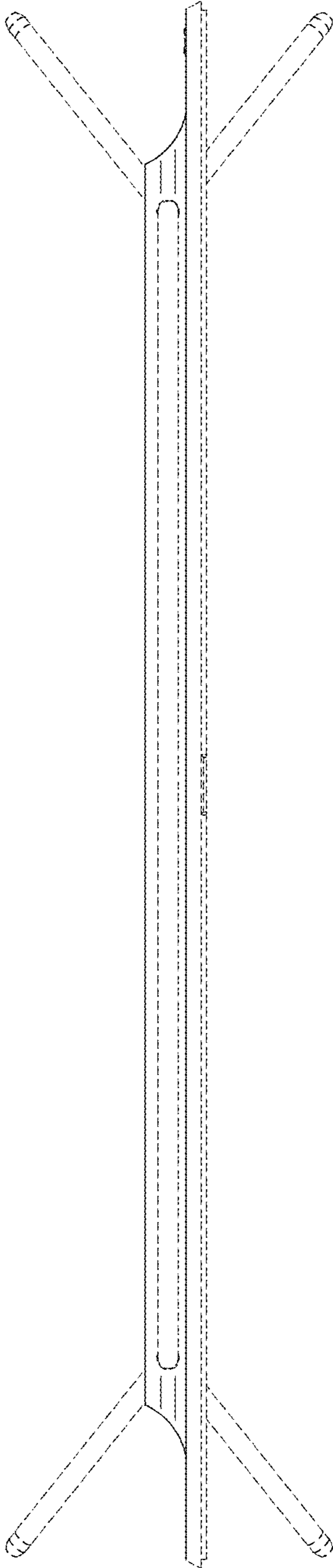


FIG. 7

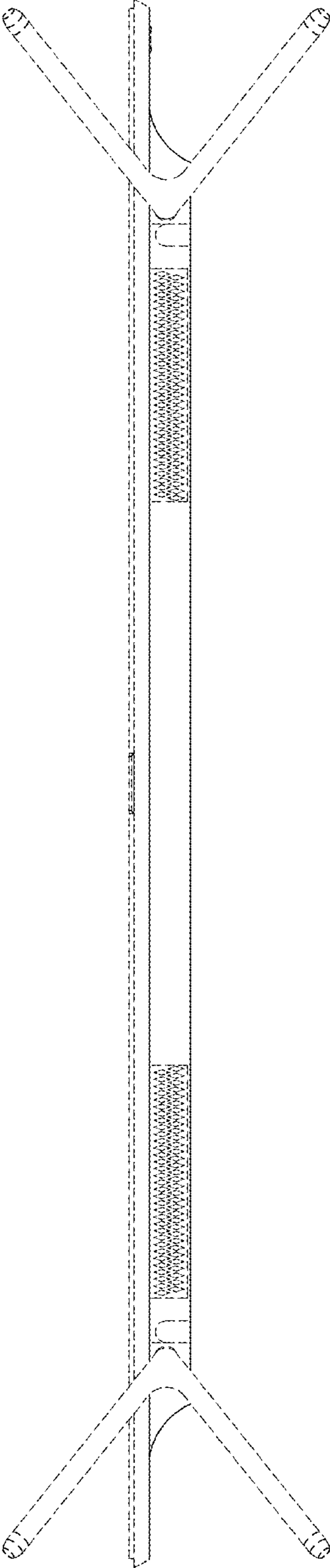




FIG. 8

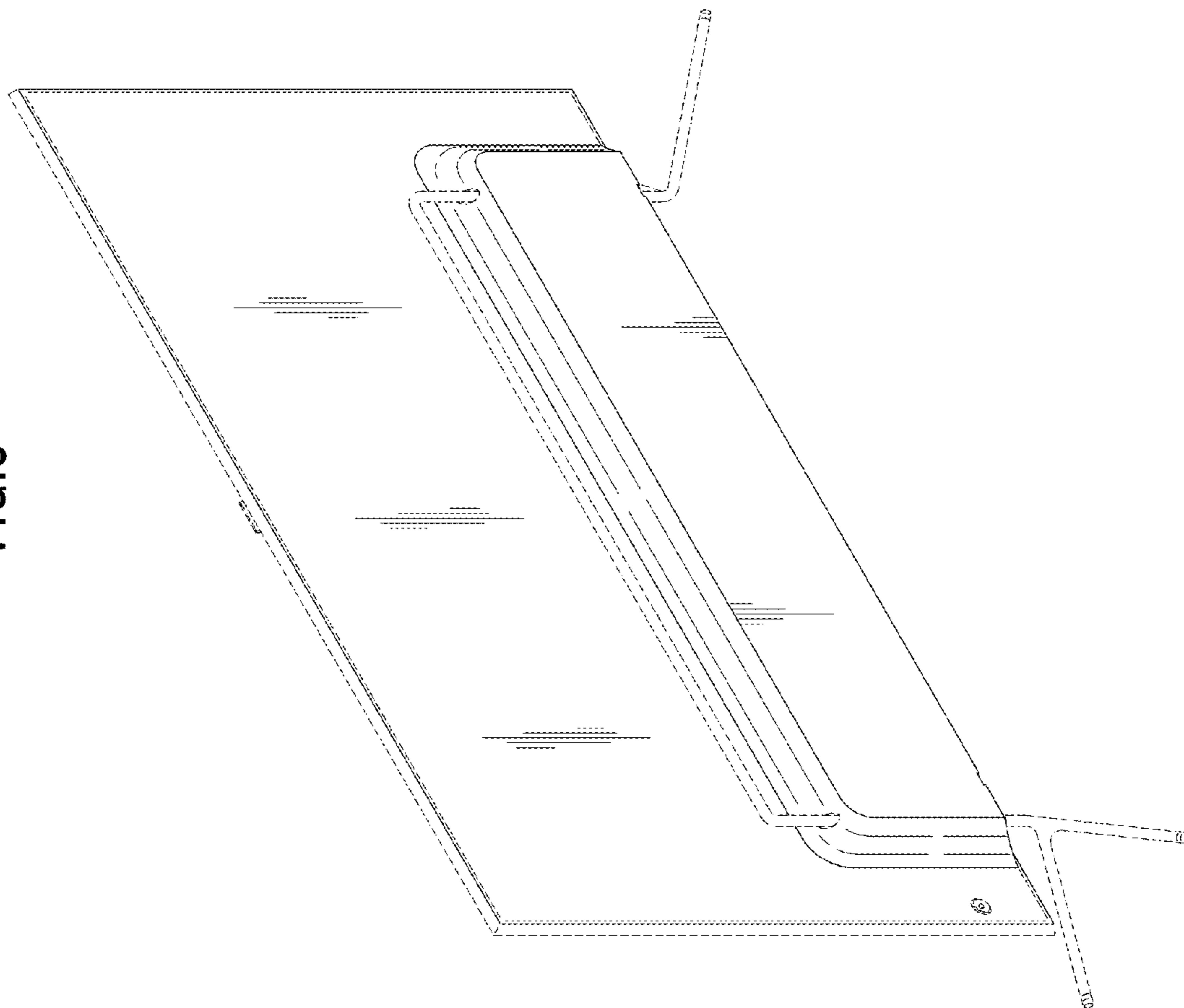


FIG. 9

