



US00D745849S

(12) **United States Design Patent**
Hannah

(10) **Patent No.:** **US D745,849 S**

(45) **Date of Patent:** **** Dec. 22, 2015**

(54) **COAX CONNECTOR ASSEMBLY**

(71) Applicant: **PDS Electronics, Inc.**, Tallmadge, OH (US)

(72) Inventor: **Steven K. Hannah**, Hudson, OH (US)

(73) Assignee: **PDS Electronics, Inc.**, Tallmadge, OH (US)

(**) Term: **14 Years**

(21) Appl. No.: **29/472,011**

(22) Filed: **Nov. 7, 2013**

(51) **LOC (10) Cl.** **13-03**

(52) **U.S. Cl.**
USPC **D13/151**

(58) **Field of Classification Search**
USPC D13/133, 150, 151, 153, 154, 156, 184,
D13/199; 439/578, 579, 580, 581, 582, 583,
439/584, 585, 694, 695, 944
CPC H01R 4/38; H01R 24/58
See application file for complete search history.

(56) **References Cited**

U.S. PATENT DOCUMENTS

3,290,640	A *	12/1966	Forney, Jr.	439/198
6,530,808	B1 *	3/2003	Hosler et al.	439/585
D508,465	S *	8/2005	Montena	D13/154
D508,895	S *	8/2005	Montena	D13/154
D572,200	S *	7/2008	Chawgo	D13/154
D578,077	S *	10/2008	Amidon	D13/154
D578,488	S *	10/2008	Amidon	D13/154
D584,228	S *	1/2009	Strickland, Jr.	D13/133
D601,095	S *	9/2009	Rodrigues	D13/151
2008/0064259	A1 *	3/2008	Amidon	439/578
2010/0130061	A1 *	5/2010	Snyder et al.	439/584

* cited by examiner

Primary Examiner — Derrick Holland

Assistant Examiner — Jennifer O King

(74) *Attorney, Agent, or Firm* — Ulmer & Berne LLP

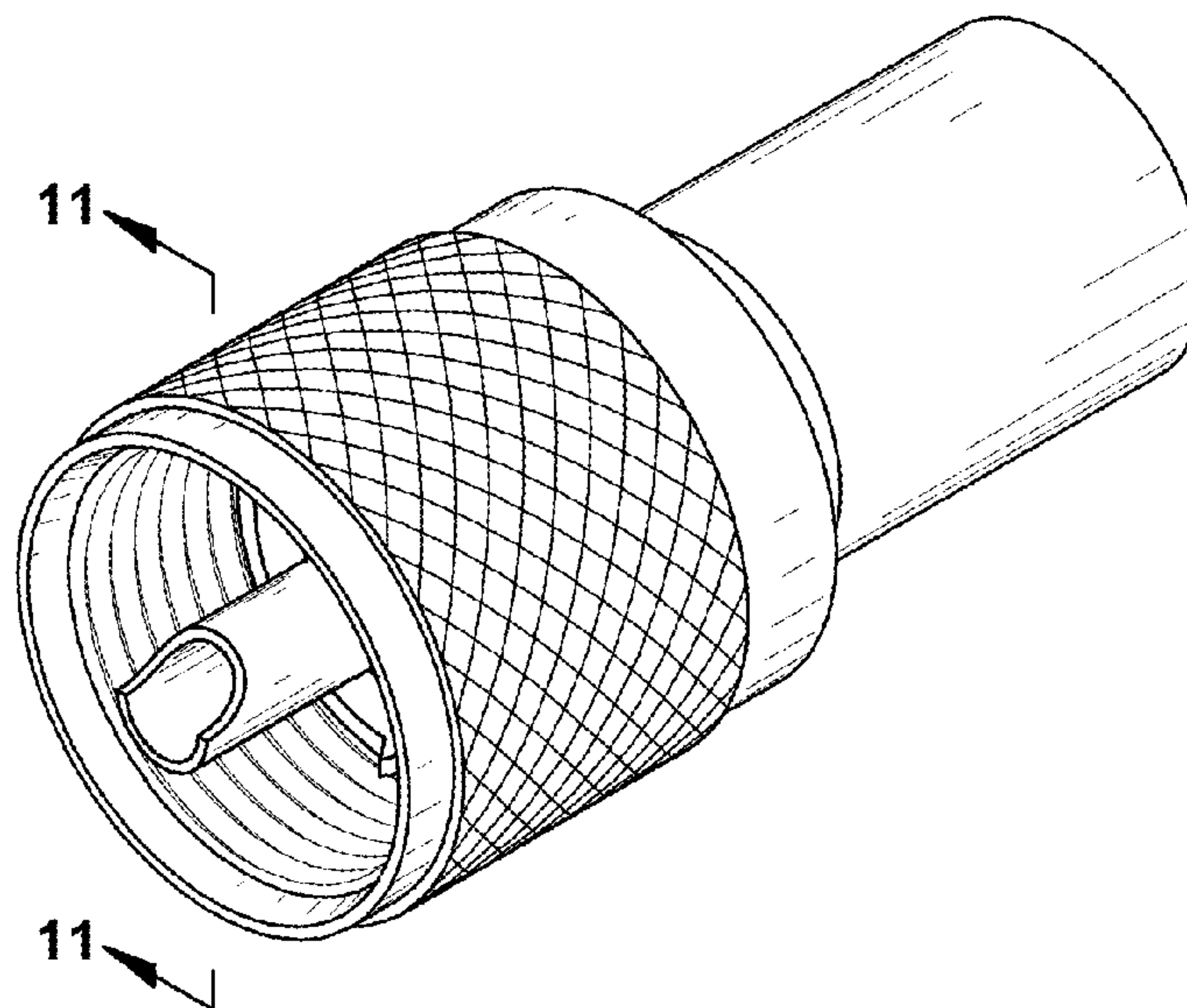
(57) **CLAIM**

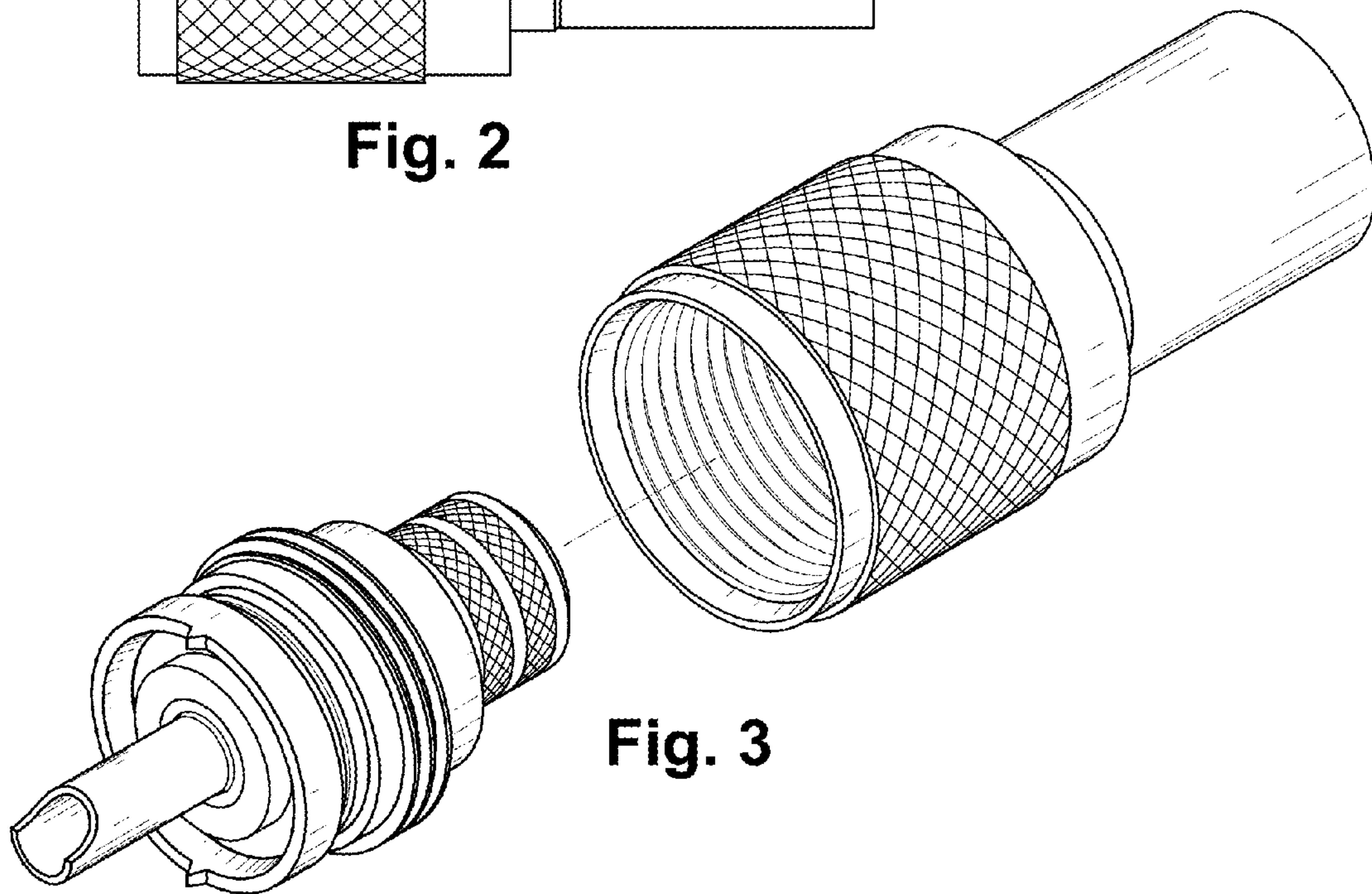
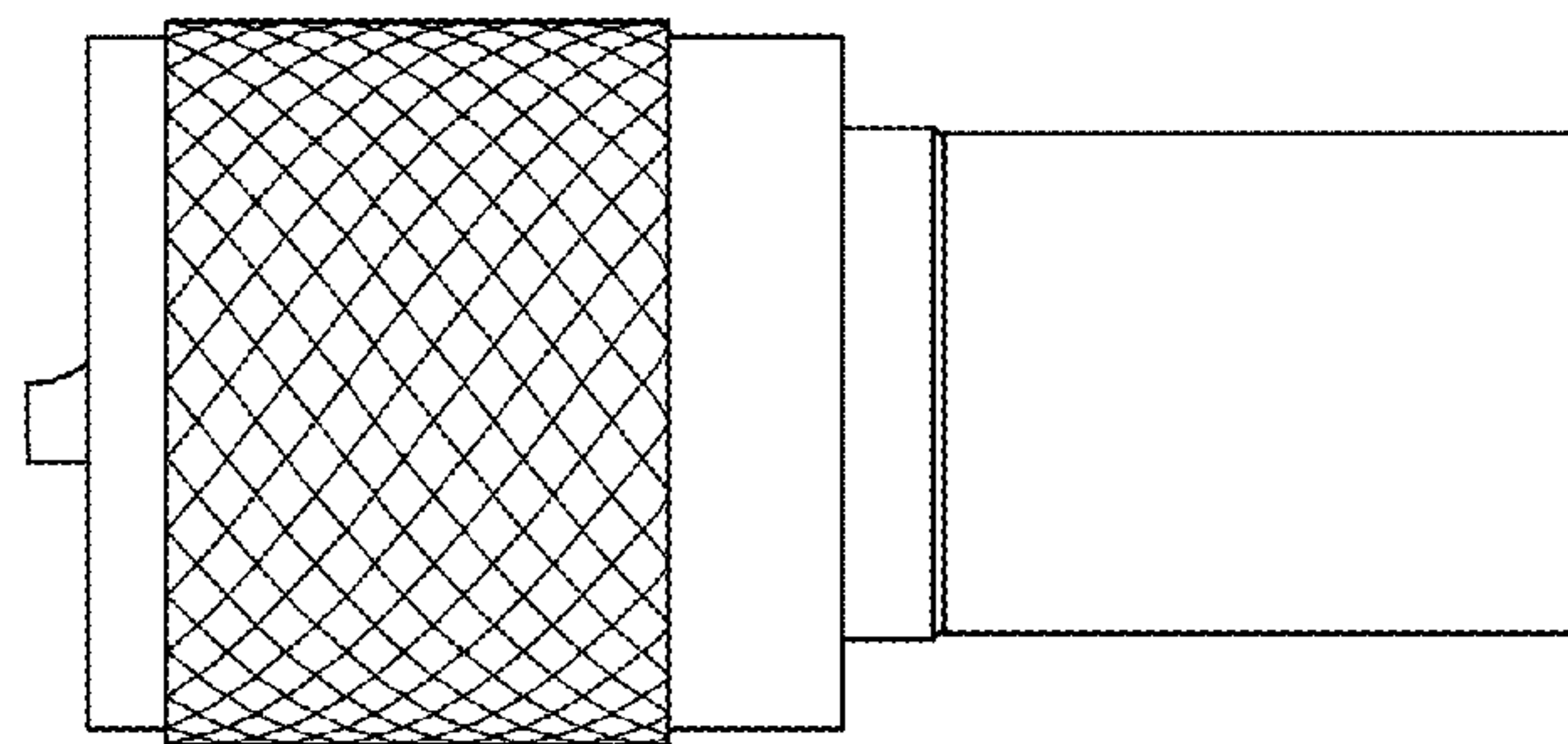
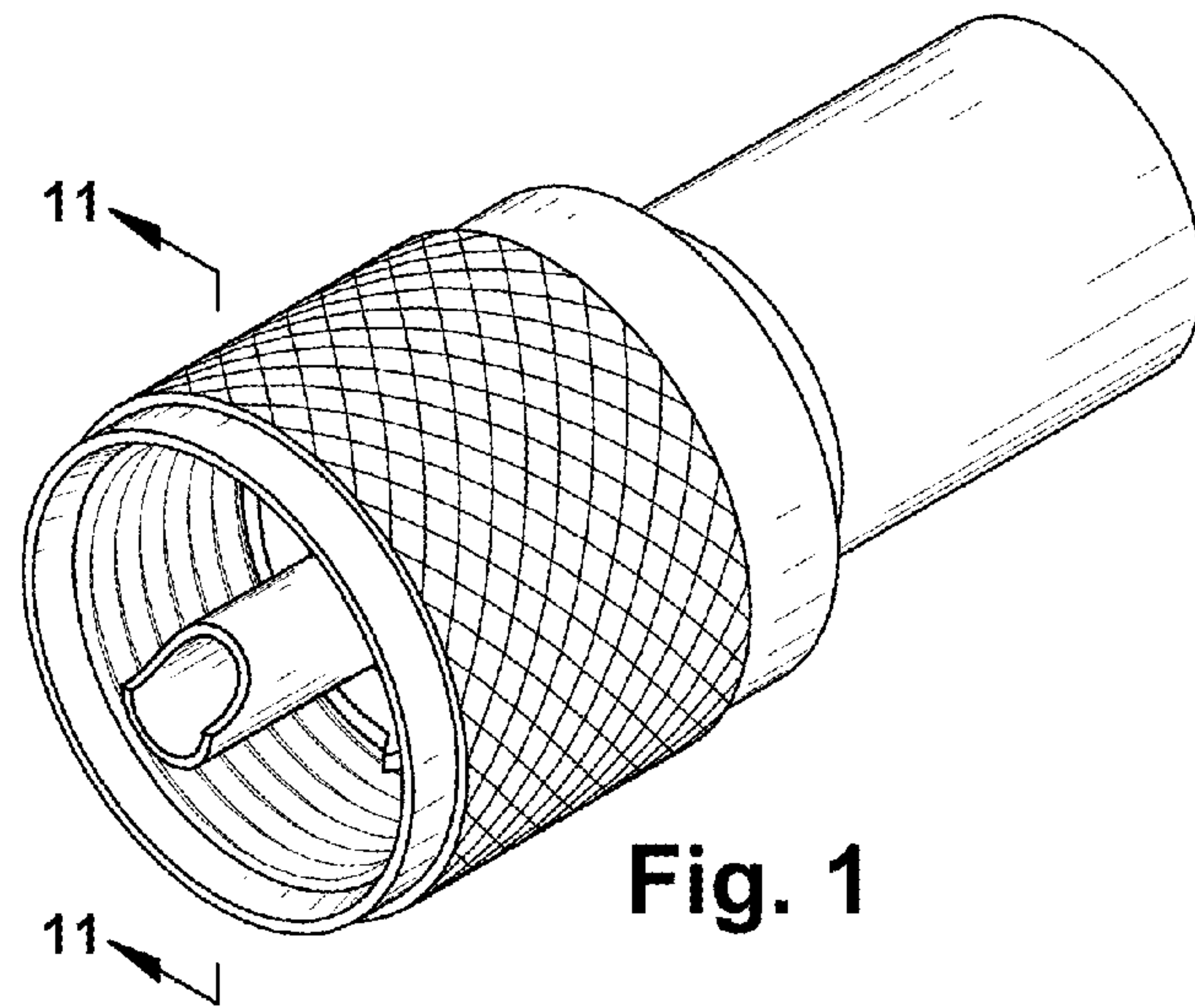
The ornamental design for a coax connector assembly, as shown and described.

DESCRIPTION

FIG. 1 is a perspective view of a coax connector assembly;
 FIG. 2 is a side view thereof;
 FIG. 3 is an exploded perspective view thereof;
 FIG. 4 is another exploded perspective view thereof;
 FIG. 5 is a first side view thereof, with the shell portion shown removed for ease of illustration;
 FIG. 6 is a second side view thereof, with the shell portion shown removed for ease of illustration.
 FIG. 7 is a top view thereof, with the shell portion shown removed for ease of illustration;
 FIG. 8 is a bottom view thereof, with the shell portion shown removed for ease of illustration;
 FIG. 9 is a front view thereof, with the shell portion shown removed for ease of illustration;
 FIG. 10 is a rear view thereof, with the shell portion shown removed for ease of illustration;
 FIG. 11 is a sectional view thereof, taken along line 11-11 of FIG. 1; and,
 FIG. 12 is another sectional view thereof, taken along line 12-12 of FIG. 10, with the shell portion shown removed for ease of illustration.
 The broken lines shown represent unclaimed subject matter and form no part of the claimed design.

1 Claim, 4 Drawing Sheets





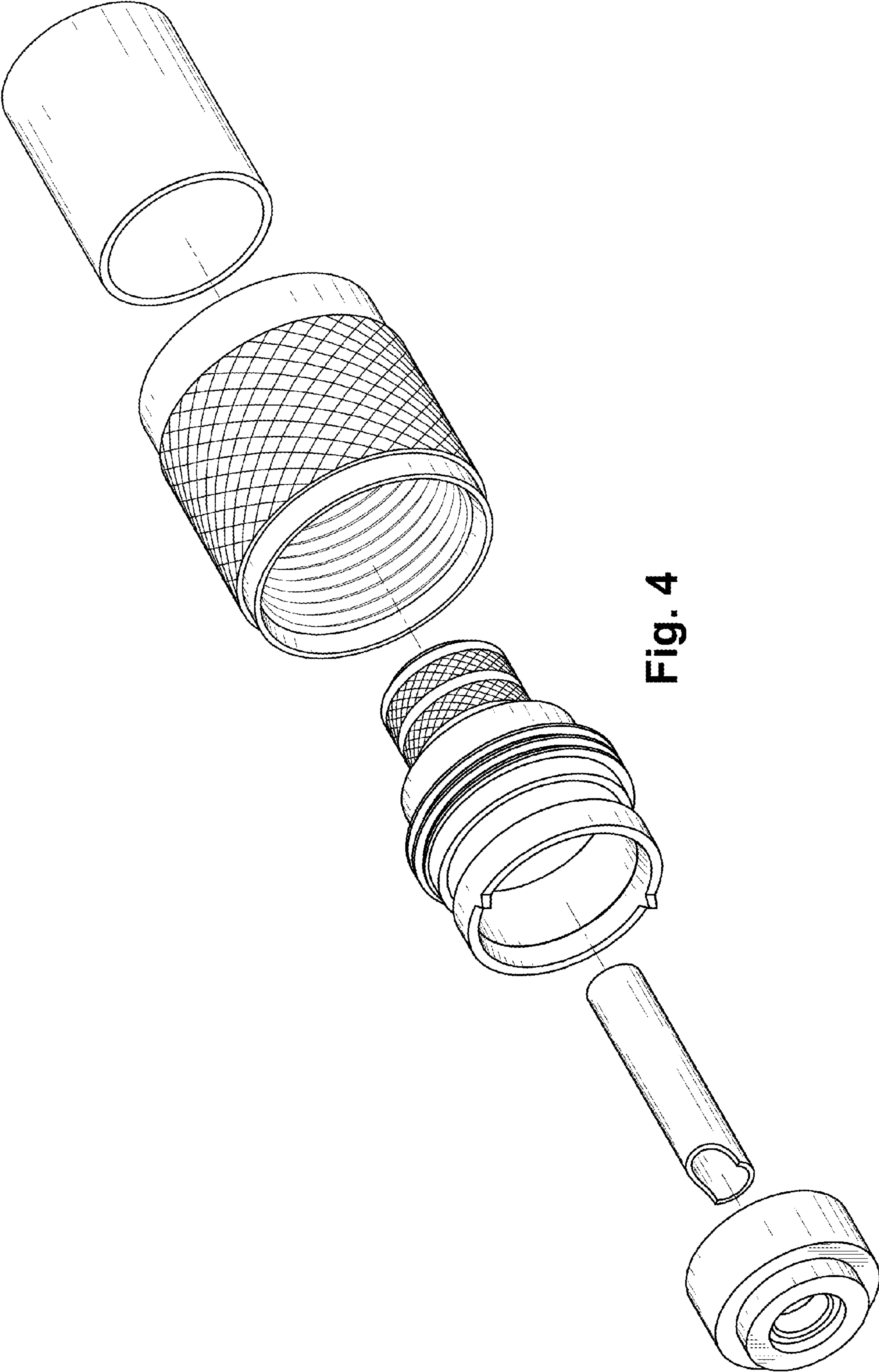


Fig. 4

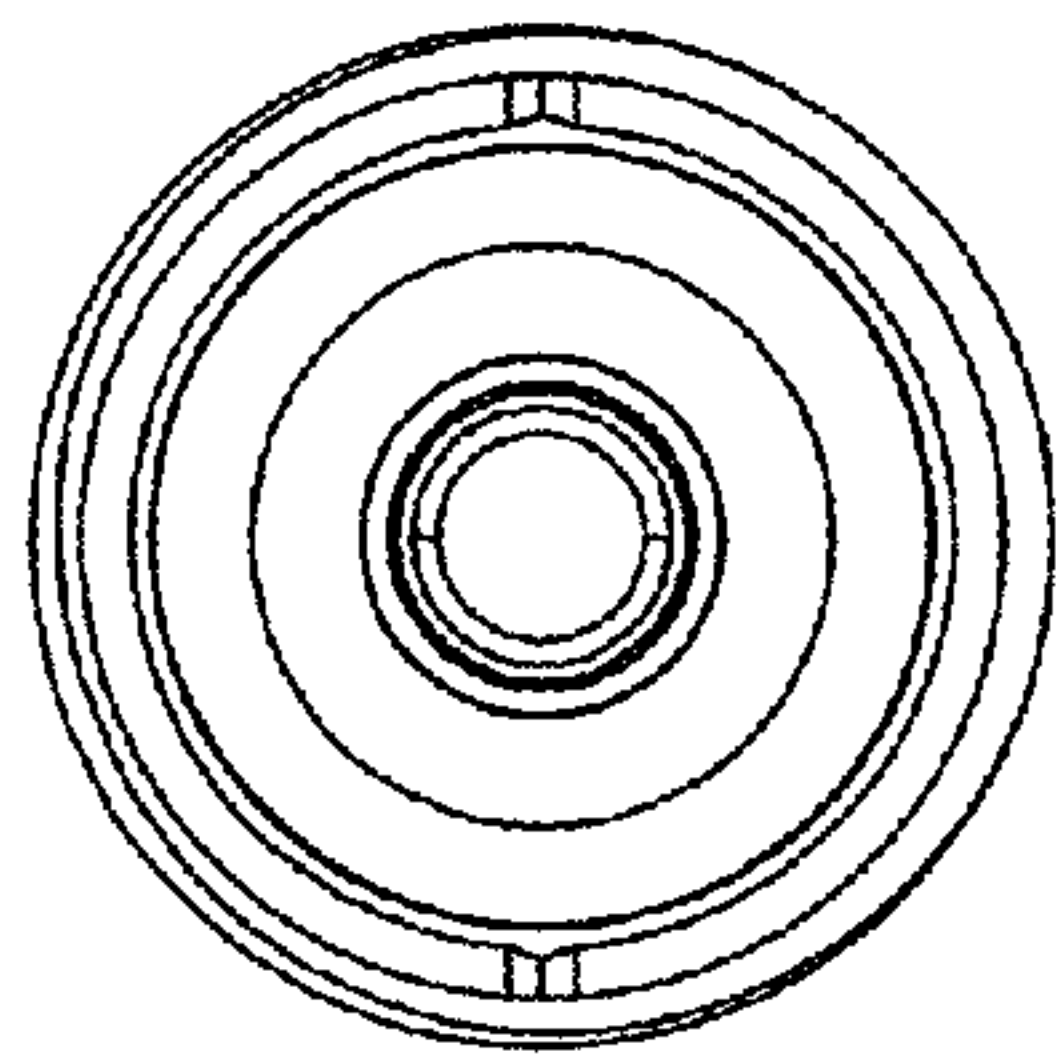


Fig. 9

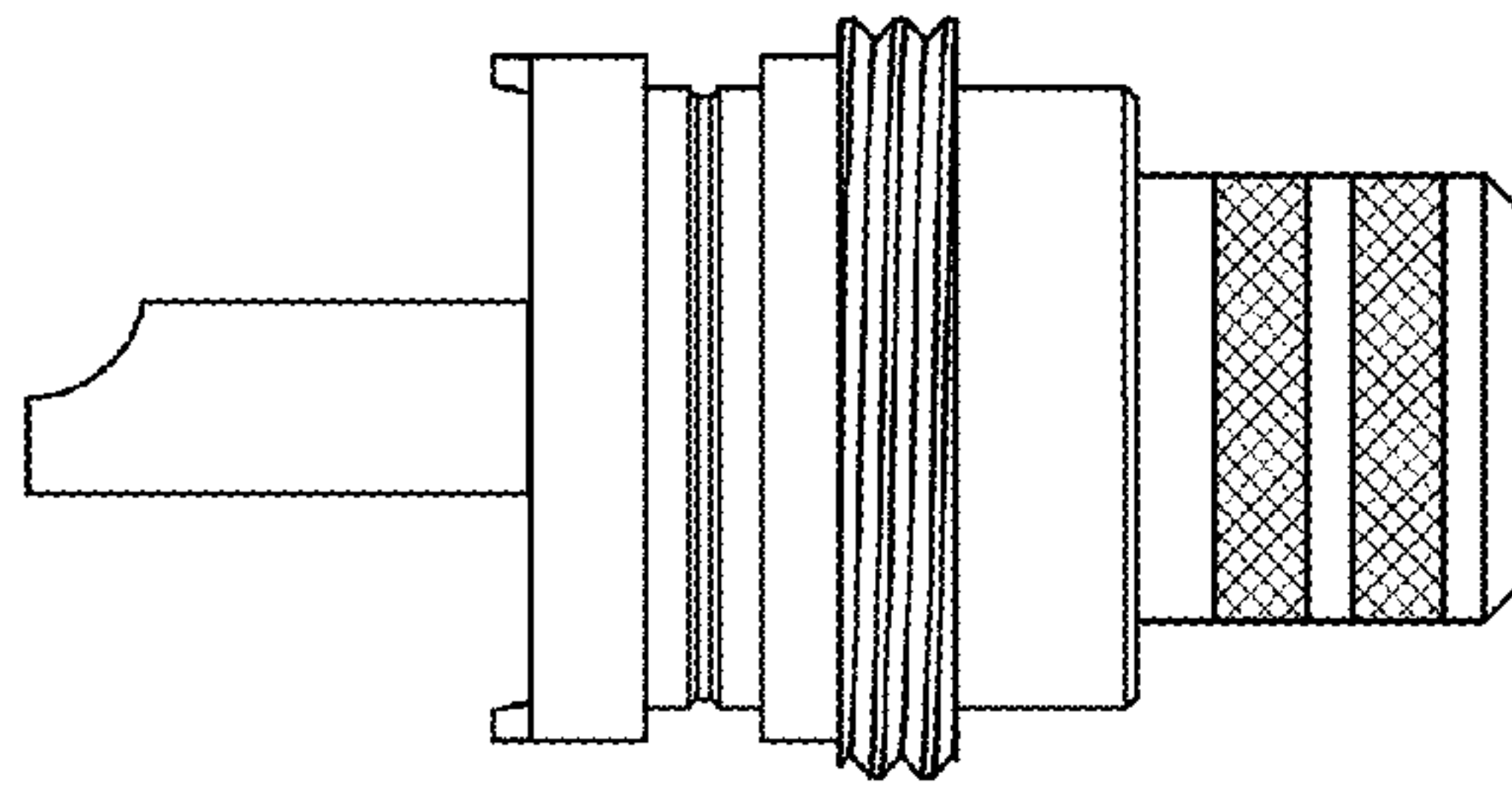


Fig. 5

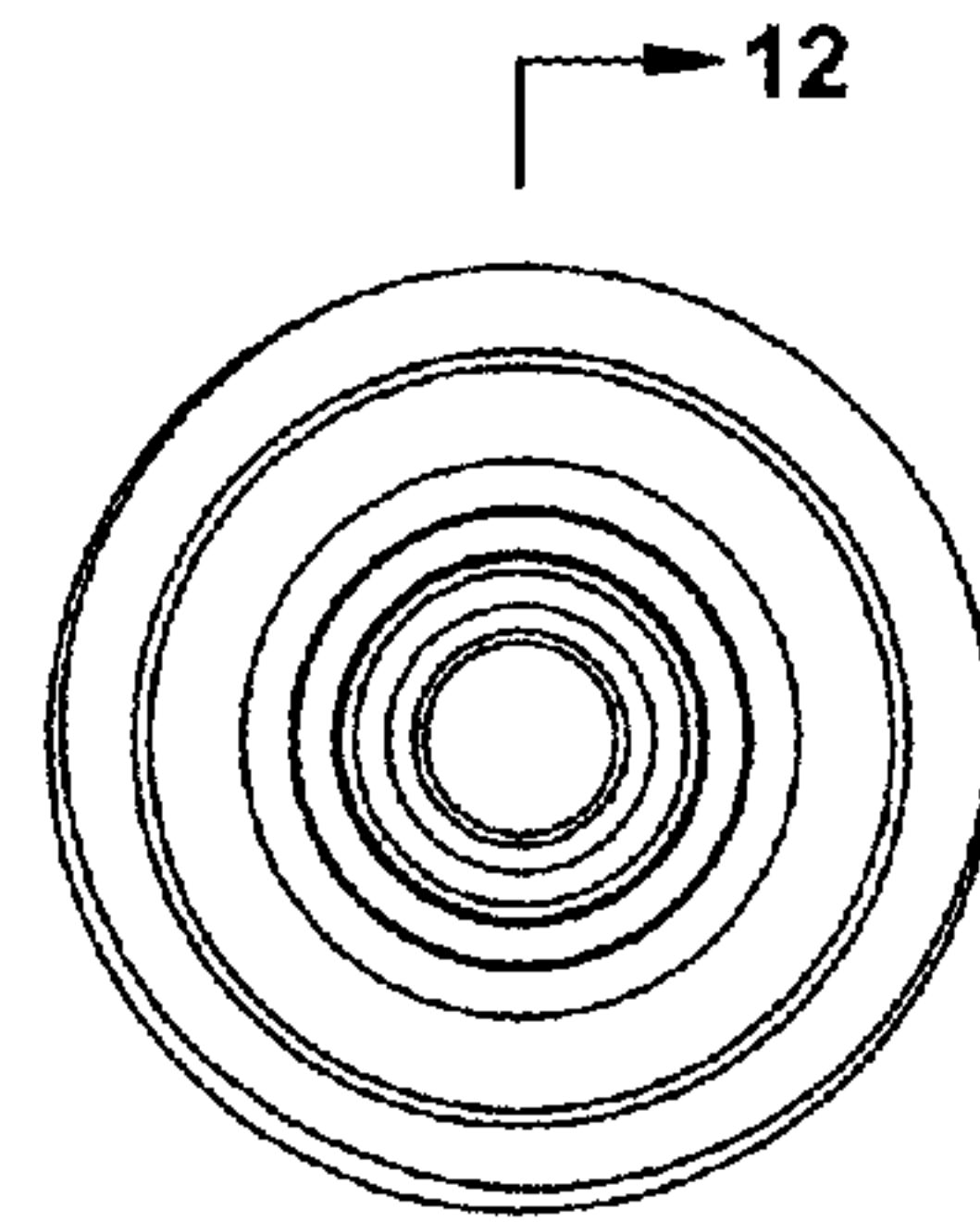


Fig. 10

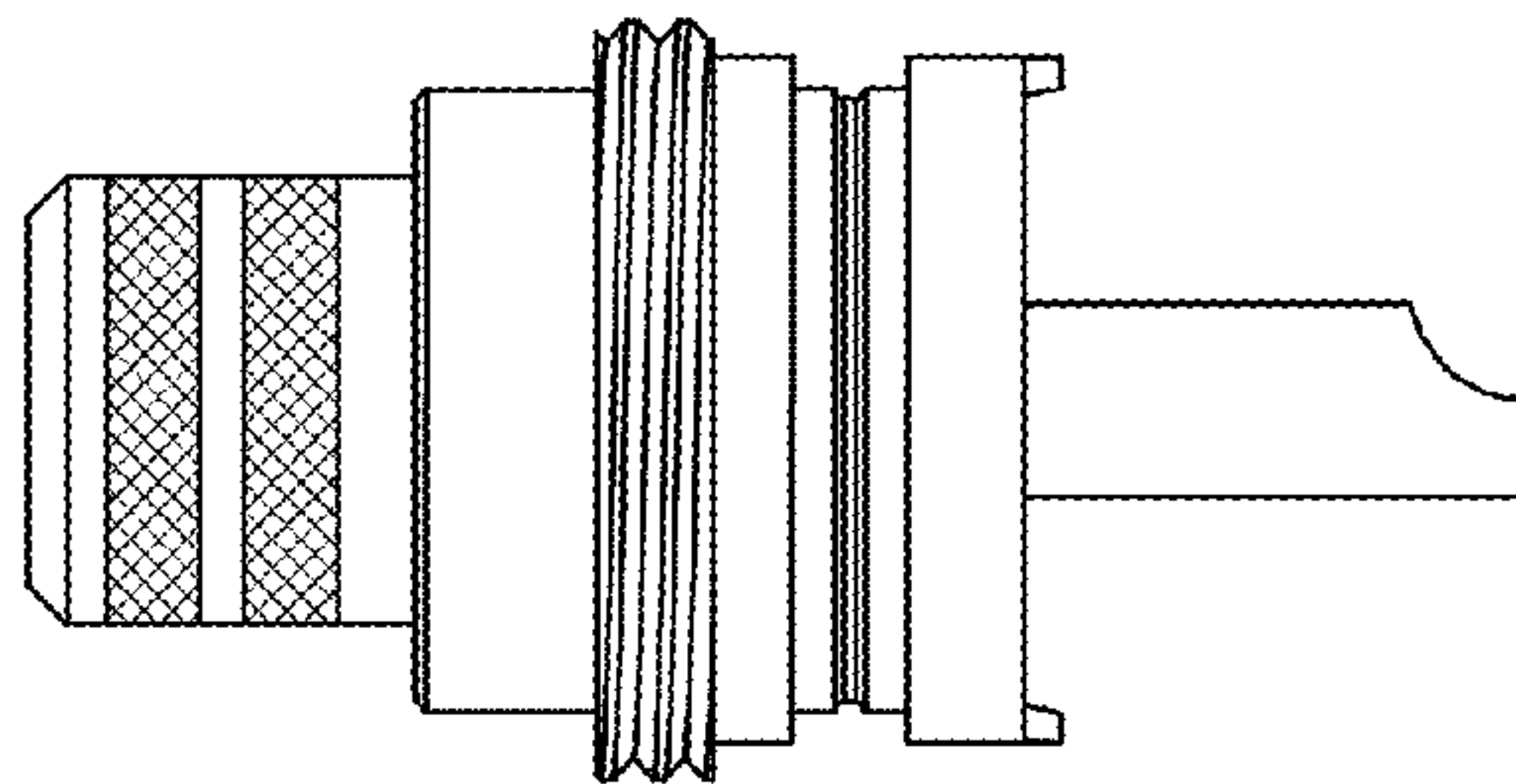


Fig. 6

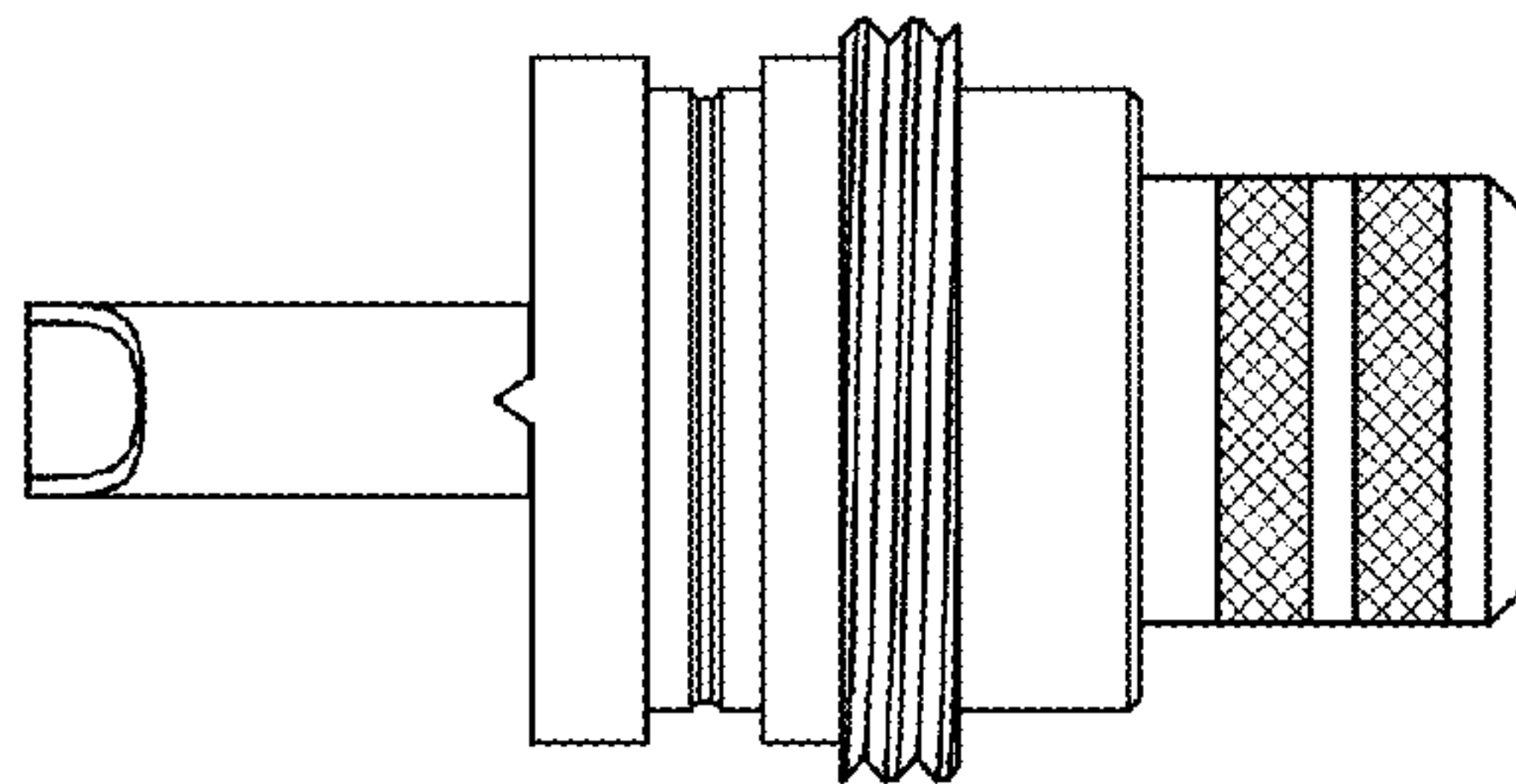


Fig. 7

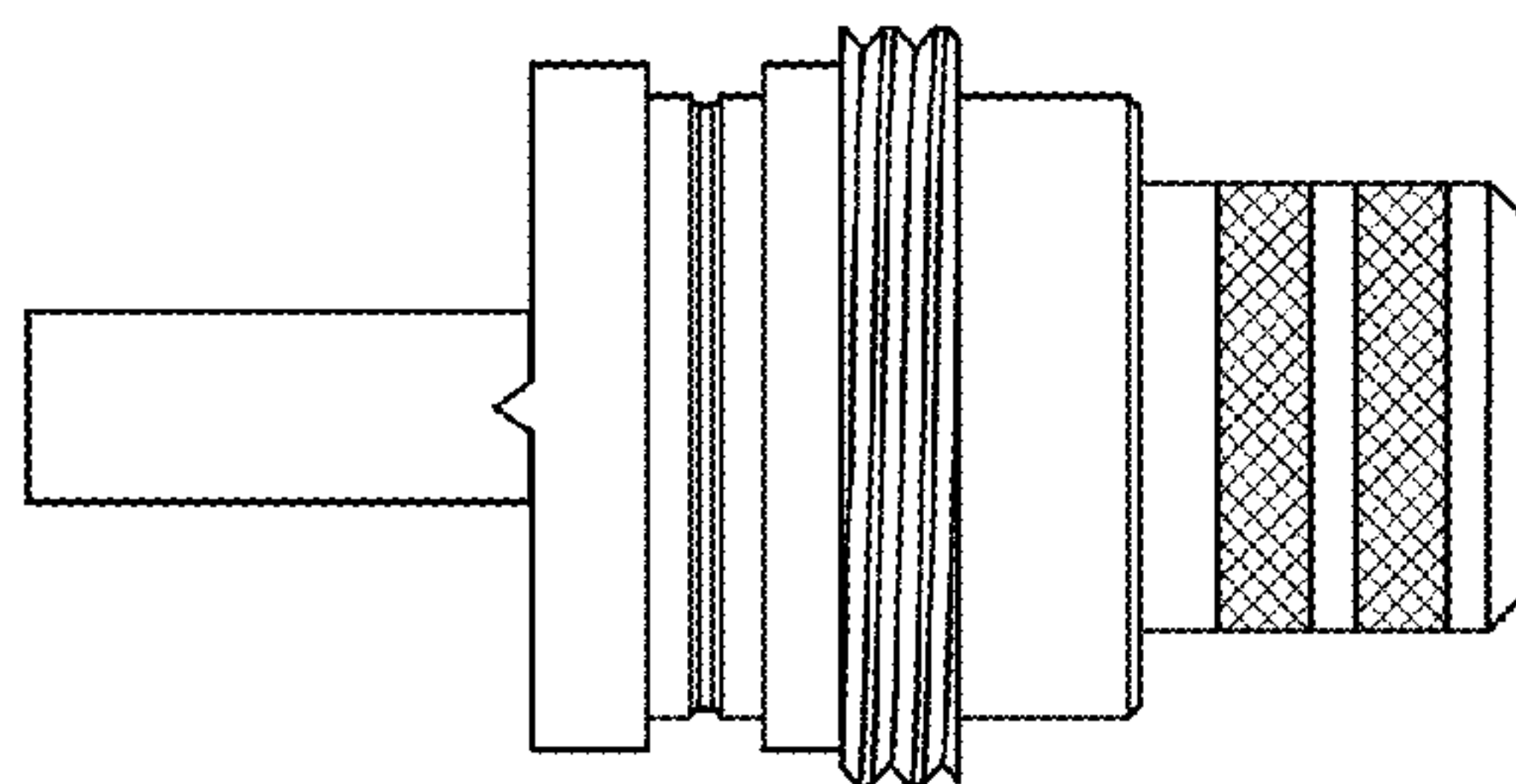


Fig. 8

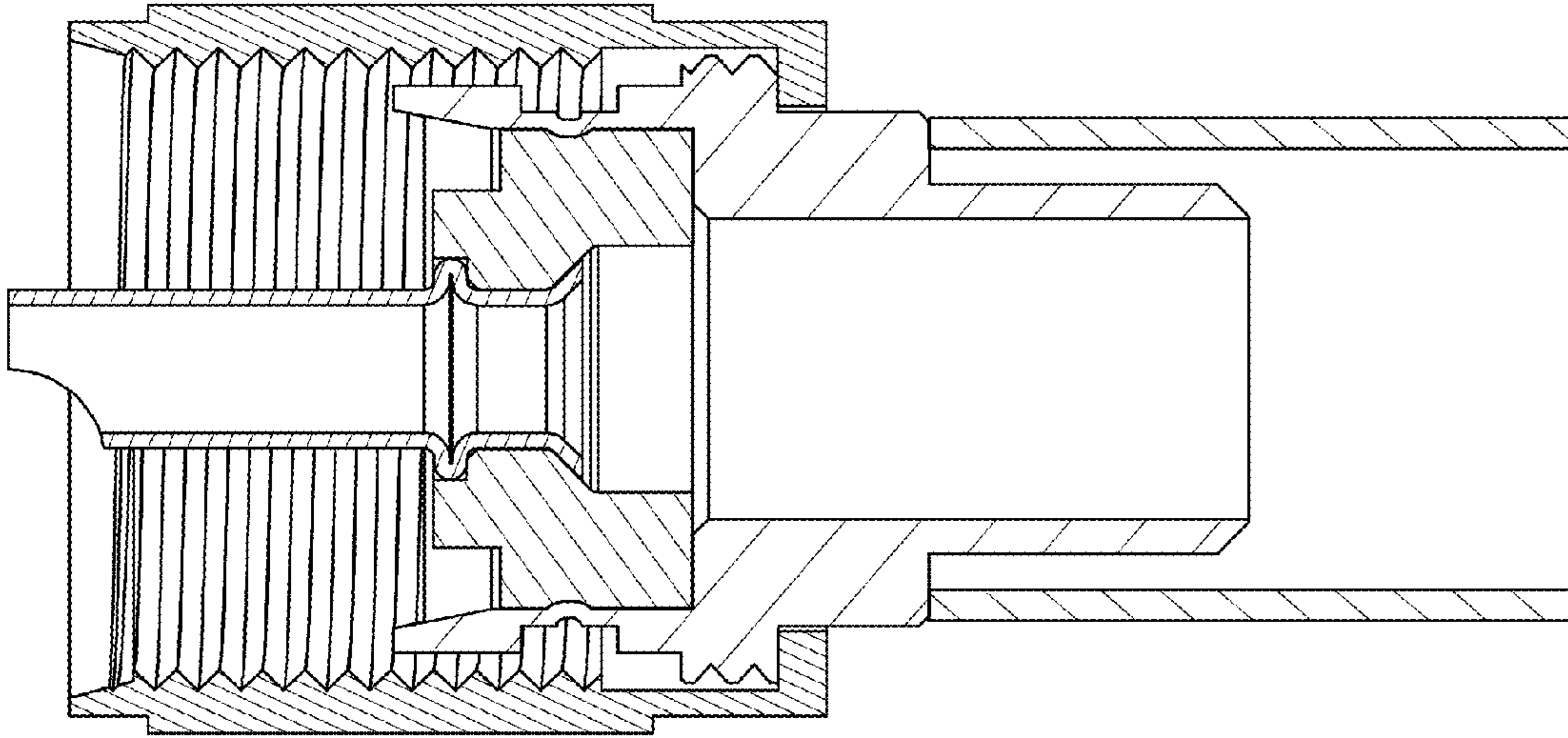


Fig. 11

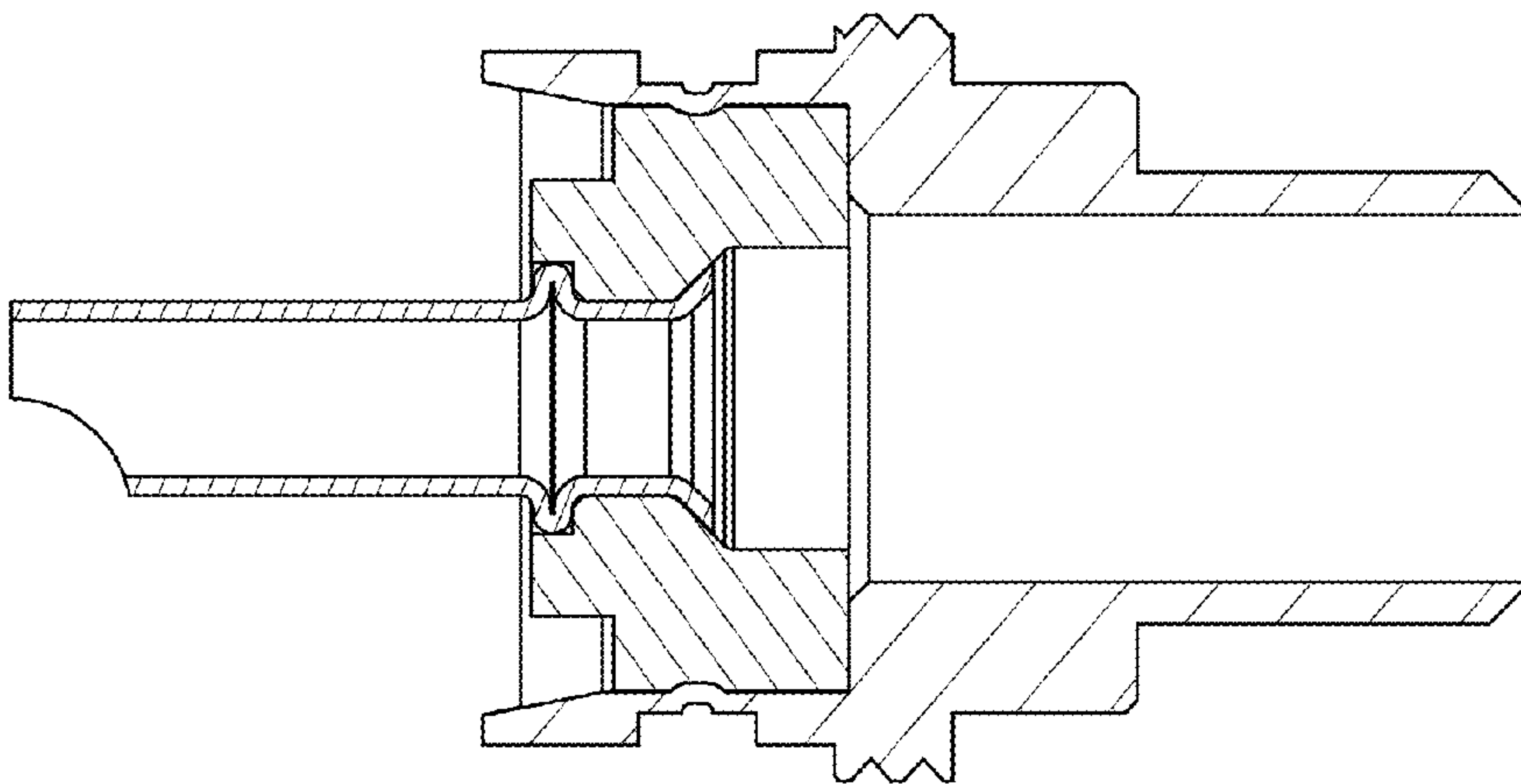


Fig. 12