



US00D745846S

(12) **United States Design Patent**
Sweeney

(10) **Patent No.:** **US D745,846 S**
(45) **Date of Patent:** **** Dec. 22, 2015**

(54) **SOLAR PANEL ELECTRICAL CONNECTOR**

(71) Applicant: **IlSCO Corporation**, Cincinnati, OH (US)

(72) Inventor: **Thomas M. Sweeney**, Cincinnati, OH (US)

(73) Assignee: **IlSCO Corporation**, Cincinnati, OH (US)

(**) Term: **14 Years**

(21) Appl. No.: **29/481,913**

(22) Filed: **Feb. 12, 2014**

Related U.S. Application Data

(63) Continuation-in-part of application No. 13/409,472, filed on Mar. 1, 2012, now abandoned.

(51) **LOC (10) Cl.** **13-02**

(52) **U.S. Cl.**
USPC **D13/102**

(58) **Field of Classification Search**

USPC D13/102, 118, 184, 199; D8/349, 354, D8/355, 356; D25/119, 123, 124, 125; 52/173.3, 460; 126/573, 580; 136/206, 136/244-251, 256, 291, 292; 248/205.1, 248/316.4; 439/92, 567, 625, 733.1, 797
CPC F24J 2/52; F24J 2/464; F24J 2/5211; F24J 2/5245; F24J 2/5256; F24J 2/5258; H01L 31/05; H01L 31/042; H01R 4/36; H01R 4/66; H01R 13/621; H01R 24/00; H01R 11/11; H01R 11/15; B21D 39/00; F16B 2/02; F16B 2/065; F16B 2/20; F16B 2/24

See application file for complete search history.

(56) **References Cited**

U.S. PATENT DOCUMENTS

2,385,209 A 7/1966 Joyce
3,260,986 A 7/1966 Staffel

3,585,571 A 6/1971 Davis et al.
4,327,887 A * 5/1982 Kumakura F16L 3/24
248/229.15
4,384,753 A 5/1983 Mixon, Jr.
4,784,621 A 11/1988 Auclair
5,199,905 A 4/1993 Fillinger
5,240,423 A 8/1993 Morrison
D344,598 S * 2/1994 Ehmke D25/124
5,928,006 A 7/1999 Franks, Jr.
6,494,726 B1 12/2002 Auclair

(Continued)

FOREIGN PATENT DOCUMENTS

WO 2009/094320 A2 7/2009

OTHER PUBLICATIONS

ERICO®, Solar Bonding Lugs, internet printout, Aug. 9, 2010, 2 pgs.
(Continued)

Primary Examiner — Derrick Holland

(74) *Attorney, Agent, or Firm* — Wood, Herron & Evans, LLP

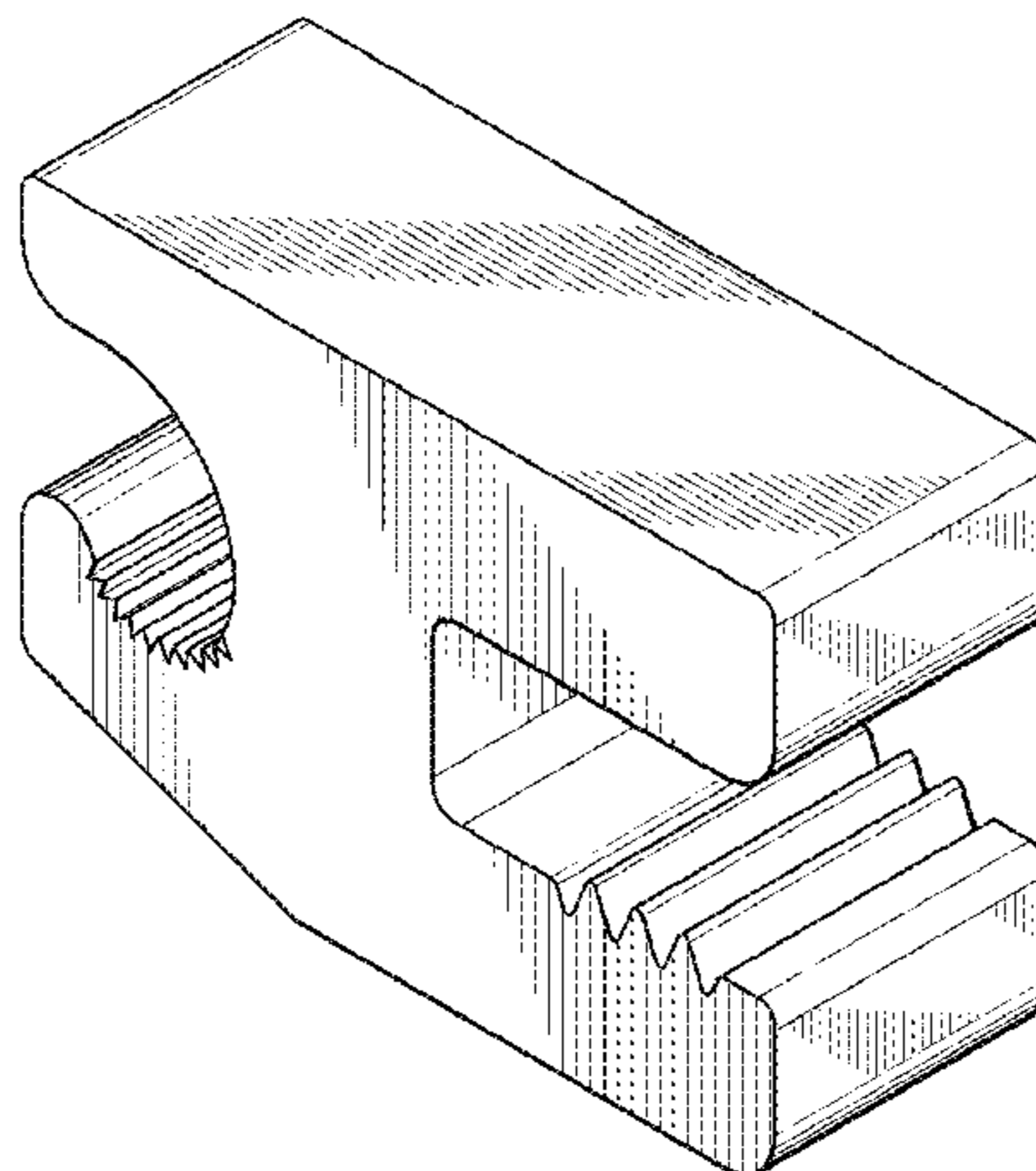
(57) **CLAIM**

The ornamental design for a solar panel electrical connector, as shown and described.

DESCRIPTION

FIG. 1 is an isometric view of a solar panel electrical connector showing my new design;
FIG. 2 is a second isometric view thereof;
FIG. 3 is a front view thereof;
FIG. 4 is a back view thereof;
FIG. 5 is a right side view thereof;
FIG. 6 is a left side view thereof;
FIG. 7 is a top plan view thereof; and,
FIG. 8 is a bottom plan view thereof.
The broken lines shown represent unclaimed subject matter and form no part of the claimed design.

1 Claim, 3 Drawing Sheets



(56)

References Cited

U.S. PATENT DOCUMENTS

6,992,256 B1 1/2006 Wiley et al.
7,044,776 B2 5/2006 King, Jr. et al.
D547,262 S * 7/2007 Ullman D13/102
7,537,494 B1 5/2009 Umlauf
7,566,250 B1 7/2009 Good
7,625,238 B2 12/2009 Duesterhoeft
7,670,153 B2 3/2010 Kulig
7,677,932 B2 3/2010 King, Jr. et al.
7,735,270 B2 6/2010 Olle et al.
7,780,472 B2 8/2010 Lenox
D627,717 S * 11/2010 Munoz D13/102
8,025,508 B2 * 9/2011 Parker H01R 4/36
439/92

D673,904 S * 1/2013 Kobayashi D13/102
2007/0248434 A1 10/2007 Wiley et al.
2008/0149170 A1 6/2008 Hanoka
2009/0184222 A1 7/2009 Osborn et al.
2011/0151703 A1 6/2011 Parker et al.
2014/0042286 A1 2/2014 Jaffari

OTHER PUBLICATIONS

Wiley Electronics LLC, Acme PV Peripherals, internet printout, undated, 2 pgs.
O-Z/Gedney, Ground Fittings, MA5, Dec. 2007, 5 pgs.
O-Z/Gedney, Grounding Fittings Catalog, MA1-MA9, Nov. 2005, 9 pgs.

* cited by examiner

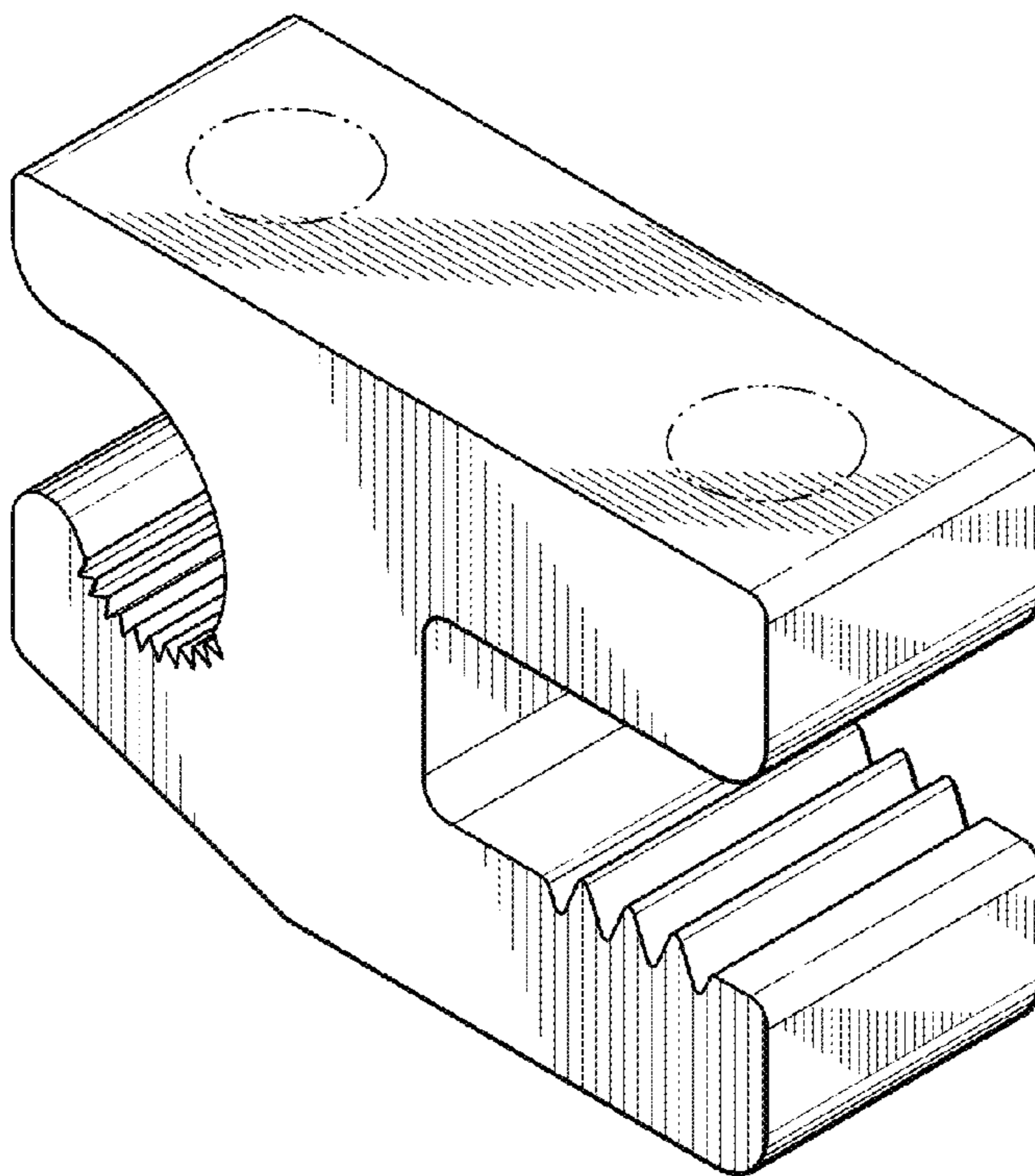


FIG. 1

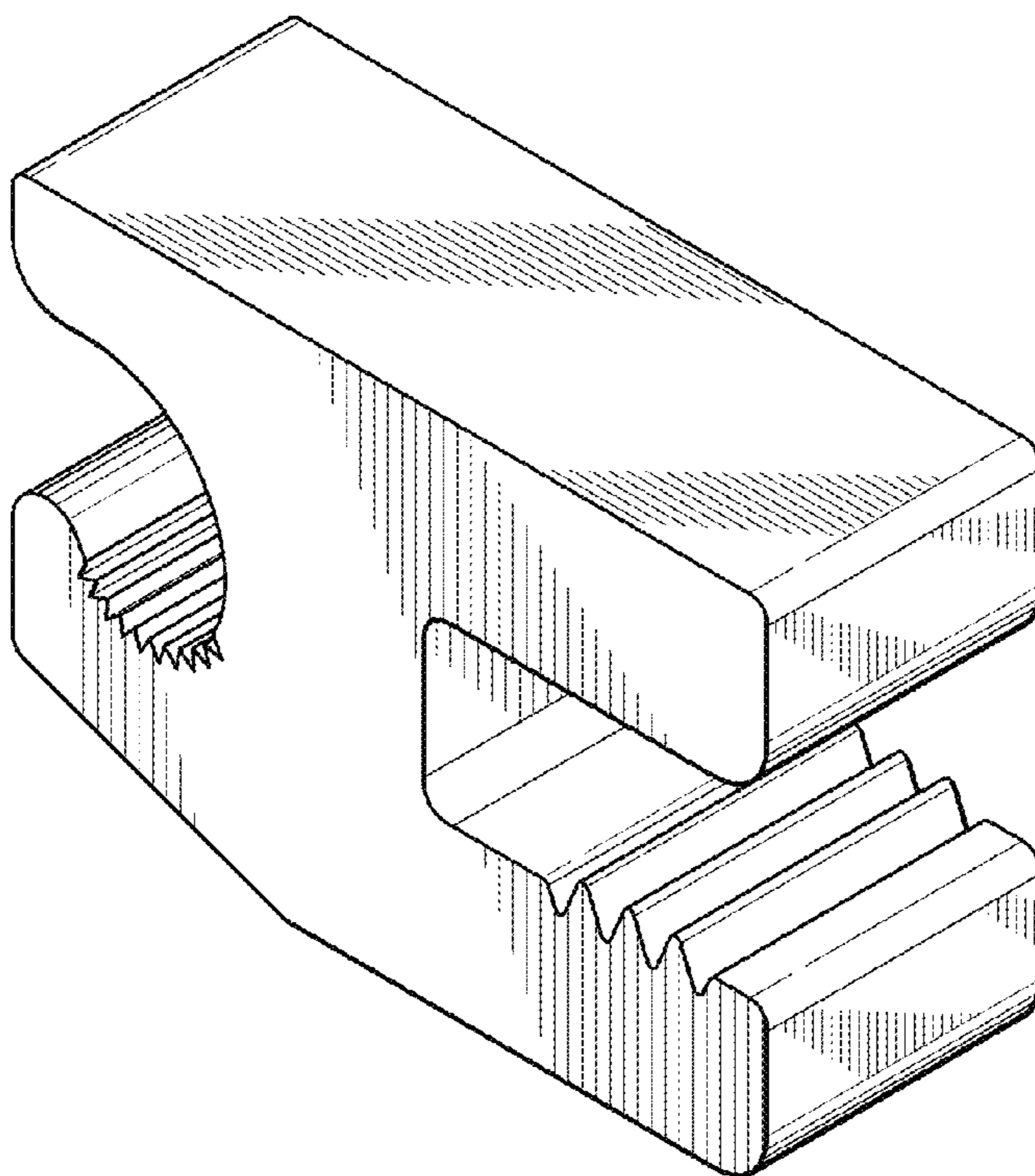


FIG. 2

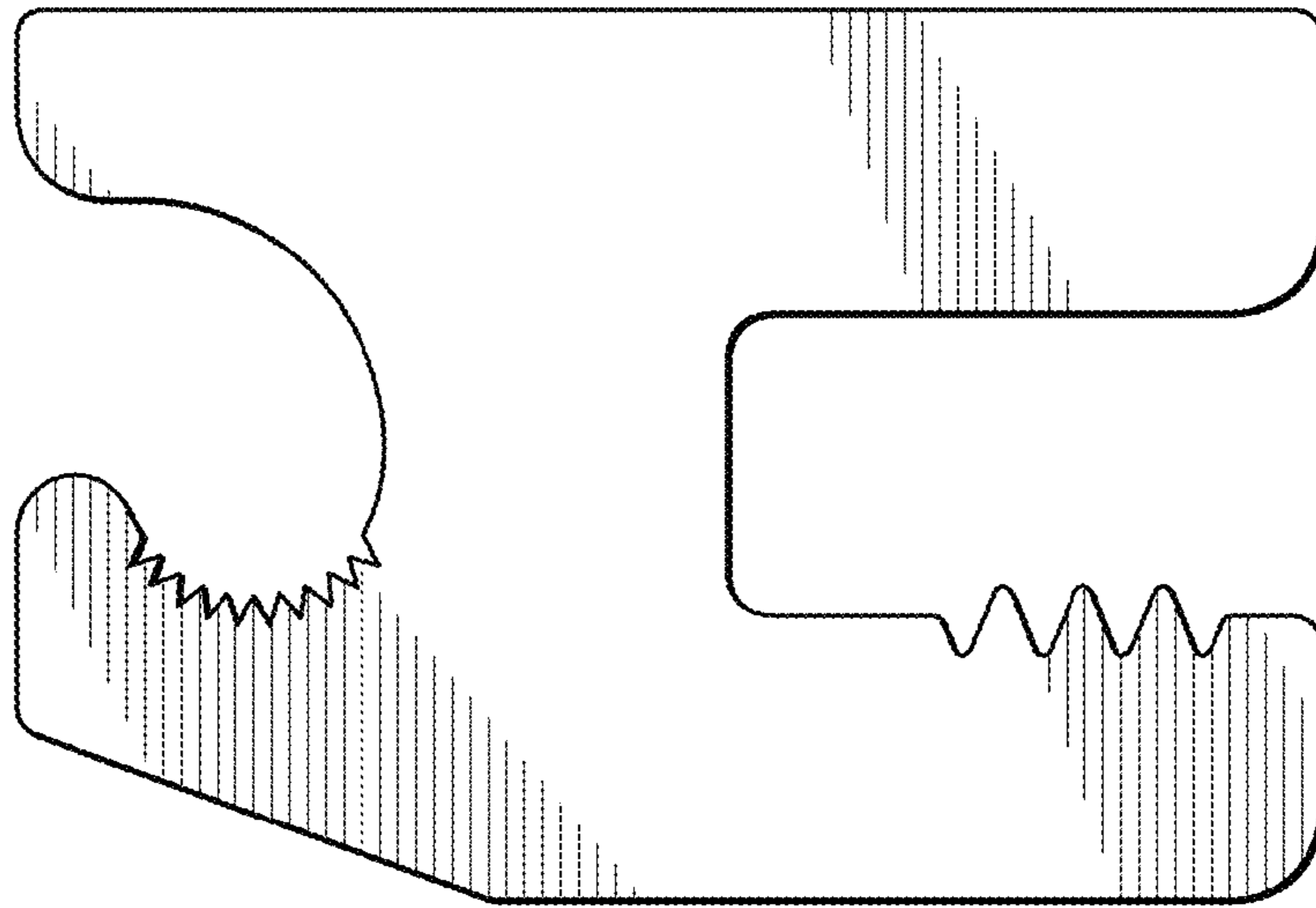


FIG. 3

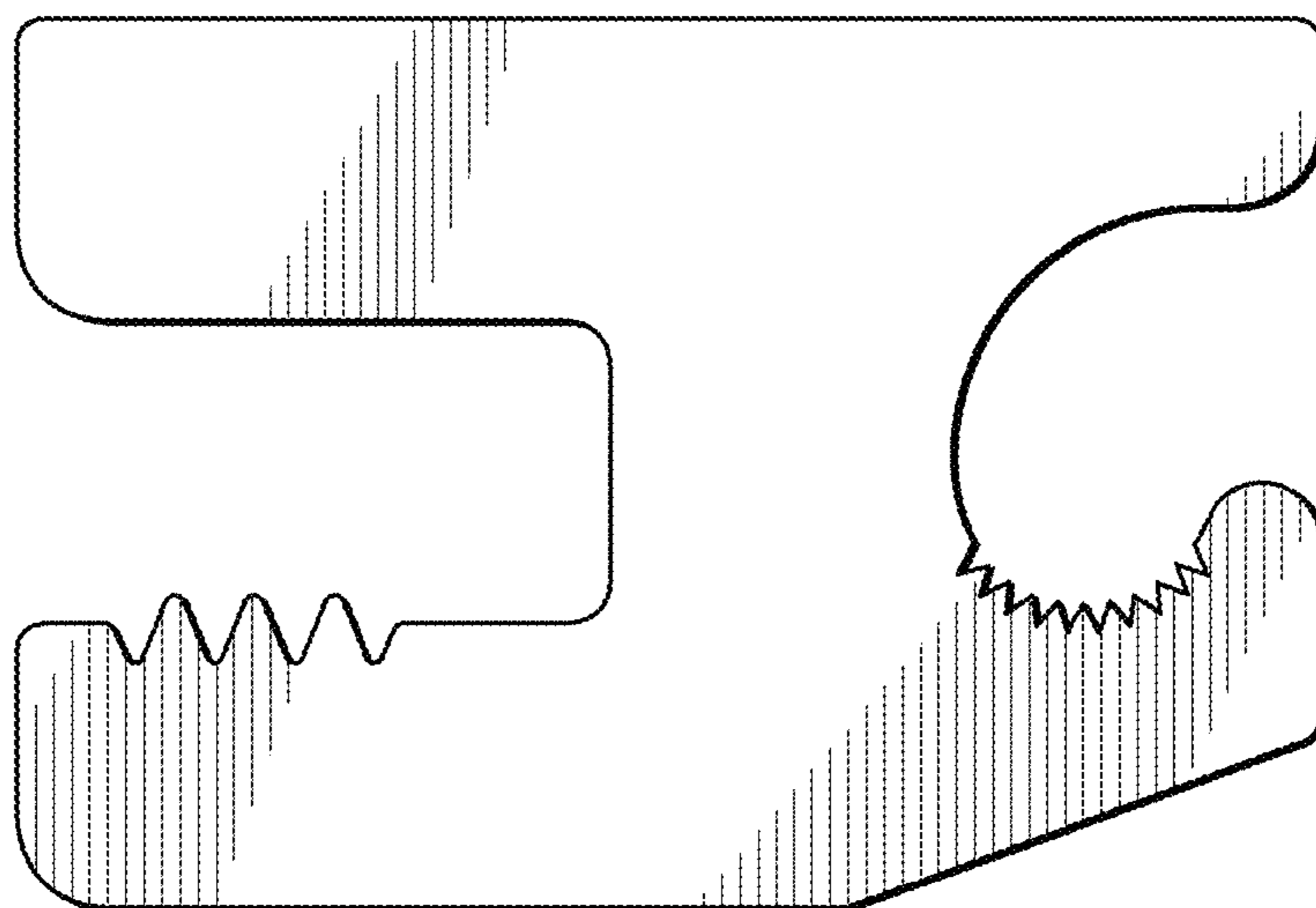


FIG. 4

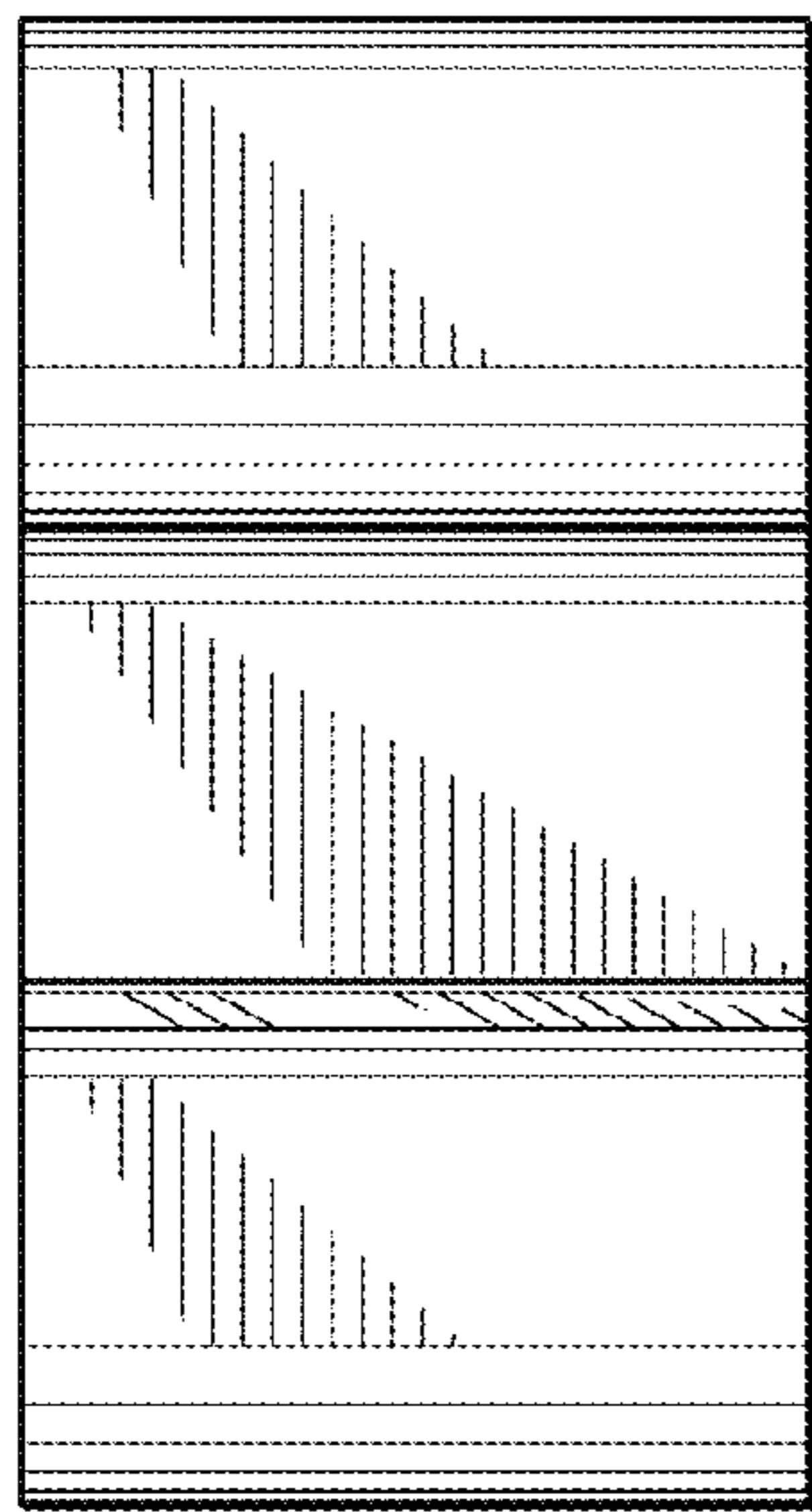


FIG. 5

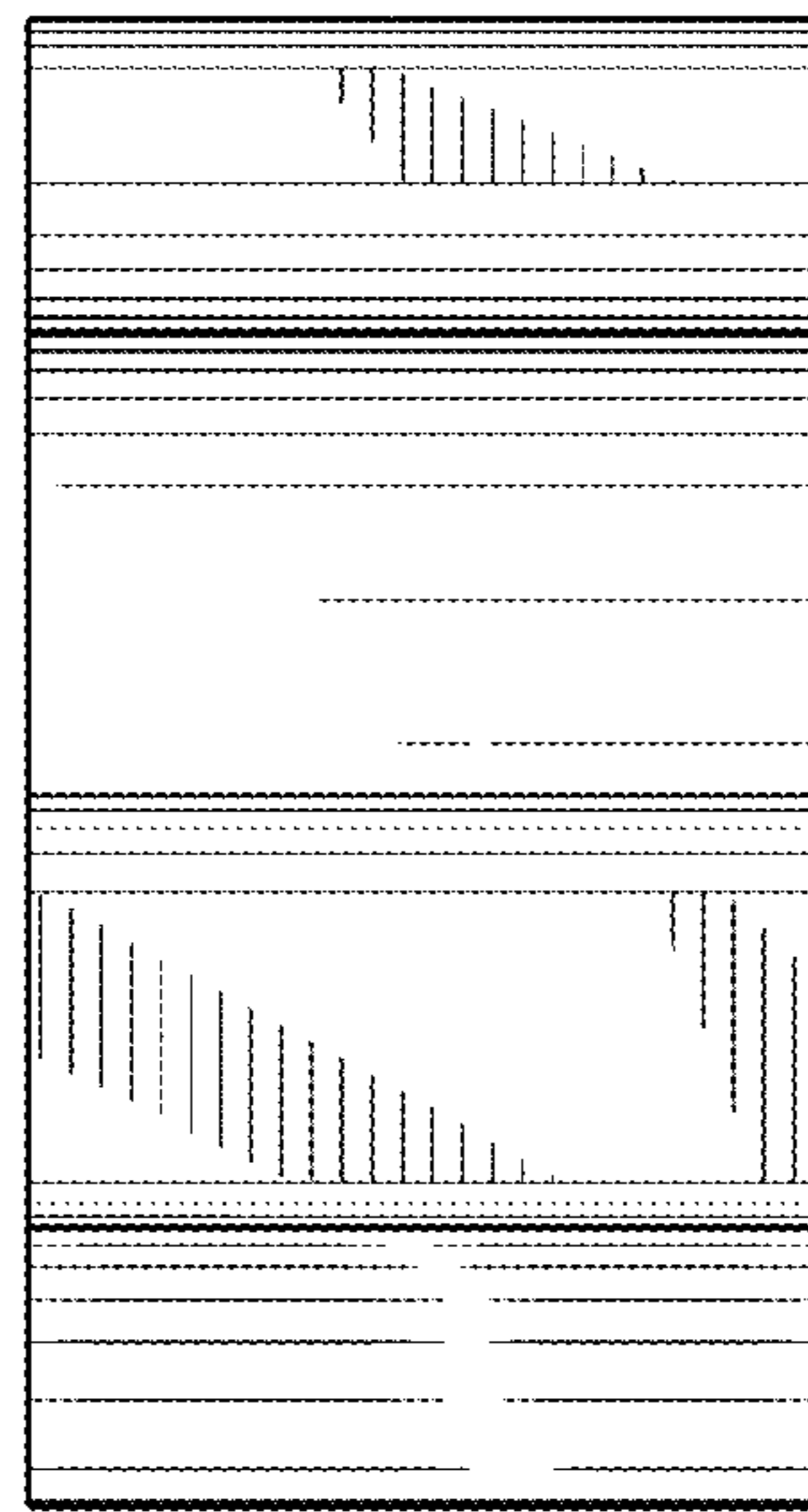


FIG. 6

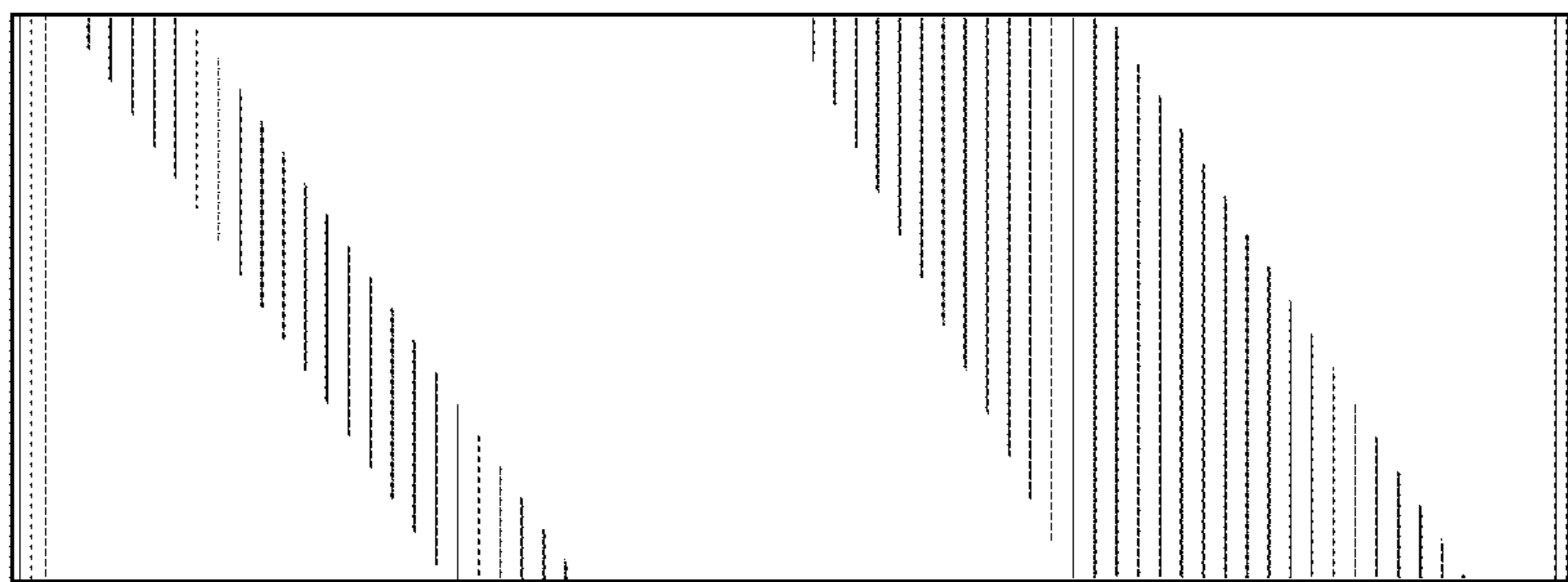


FIG. 7

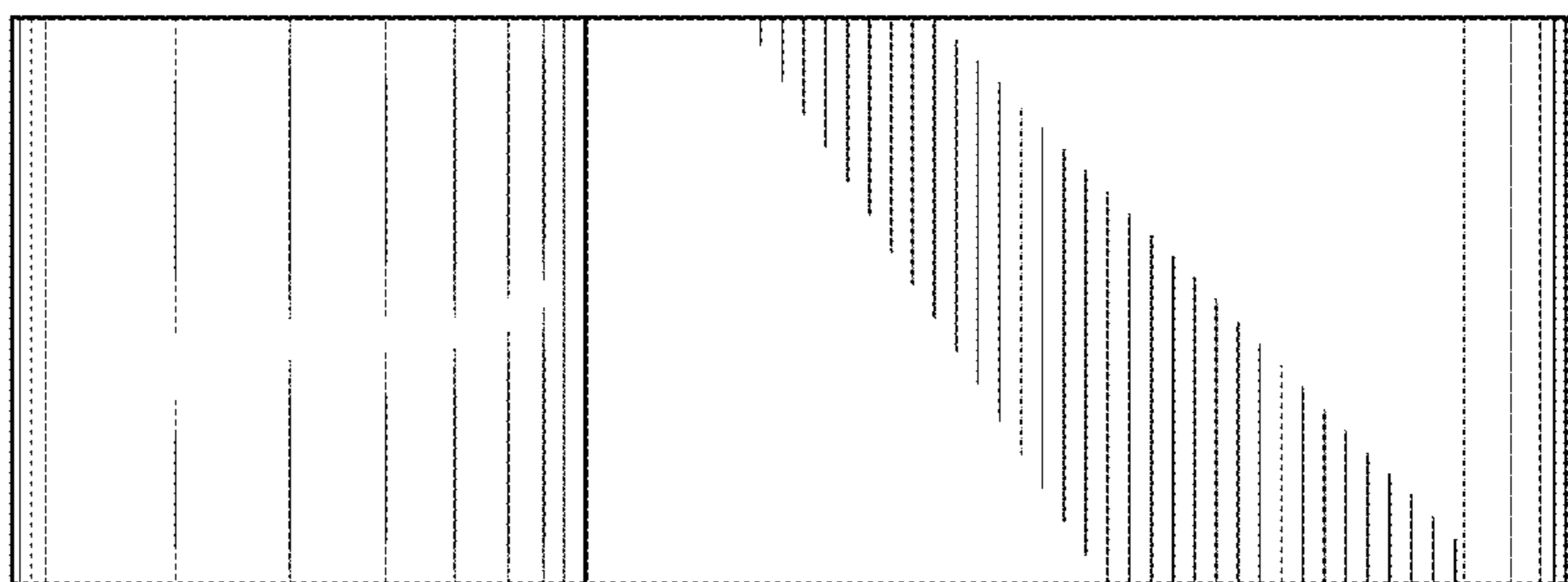


FIG. 8

UNITED STATES PATENT AND TRADEMARK OFFICE
CERTIFICATE OF CORRECTION

PATENT NO. : D745,846 S
APPLICATION NO. : 29/481913
DATED : December 22, 2015
INVENTOR(S) : Thomas M. Sweeney

Page 1 of 1

It is certified that error appears in the above-identified patent and that said Letters Patent is hereby corrected as shown below:

In the Title Page, Under Section "Related U.S. Application Data"

In column 1, Item (63), "Continuation-in-part of application No. 13/409,472, filed on Mar. 1, 2012, now abandoned", should read --Continuation-in-part of application No. 13/409,472, filed on Mar. 1, 2012, now abandoned which claims benefit of 61/448,238 filed on Mar. 2, 2011--.

Signed and Sealed this
Twelfth Day of July, 2016



Michelle K. Lee
Director of the United States Patent and Trademark Office