



US00D745841S

(12) **United States Design Patent**
Ferrett

(10) **Patent No.:** **US D745,841 S**

(45) **Date of Patent:** **** Dec. 22, 2015**

(54) **LEFT AUTOMOTIVE WHEEL**

(71) Applicant: **Dylan Ferrett**, Hampshire (GB)

(72) Inventor: **Dylan Ferrett**, Hampshire (GB)

(**) Term: **14 Years**

(21) Appl. No.: **29/487,978**

(22) Filed: **Apr. 14, 2014**

(51) **LOC (10) Cl.** **12-16**

(52) **U.S. Cl.**
USPC **D12/209**

(58) **Field of Classification Search**
USPC D12/204–213
CPC B60B 7/00; B60B 7/02; B60B 7/04;
B60B 7/01; B60B 7/06; B60B 3/02; B60B
3/04; B60B 3/06; B60B 3/10; B60B 1/00;
B60B 1/08; B60B 1/10; B60B 1/12

See application file for complete search history.

(56) **References Cited**

U.S. PATENT DOCUMENTS

D464,009 S *	10/2002	Laengerer	D12/211
D531,952 S *	11/2006	Sands	D12/211
D596,551 S *	7/2009	Futschik et al.	D12/211
D655,662 S *	3/2012	Stucki	D12/211
D680,484 S *	4/2013	Zhao	D12/209
D706,693 S *	6/2014	Stolz	D12/209
D720,273 S *	12/2014	Hilpert	D12/211
D722,000 S *	2/2015	Kern	D12/209

* cited by examiner

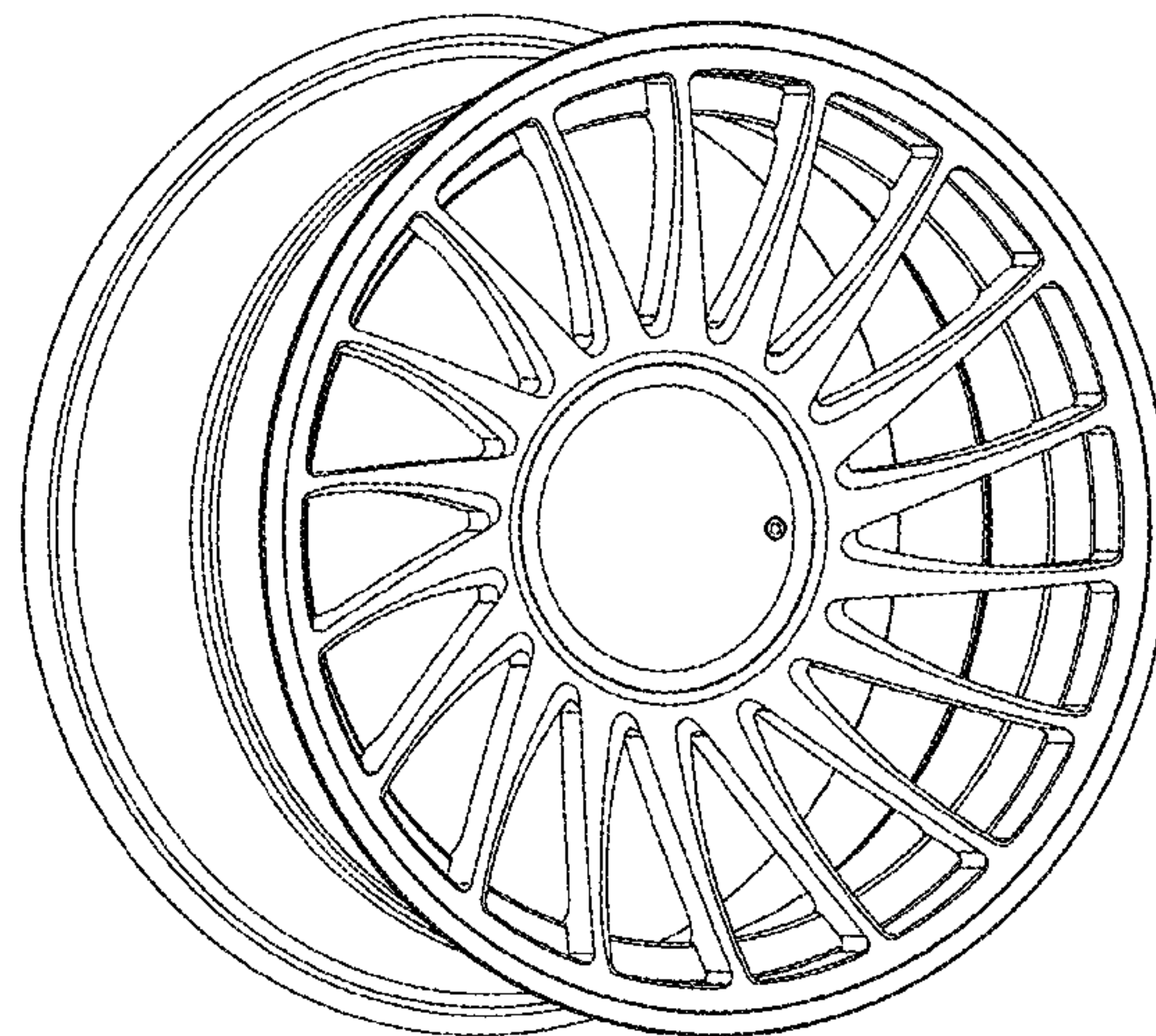
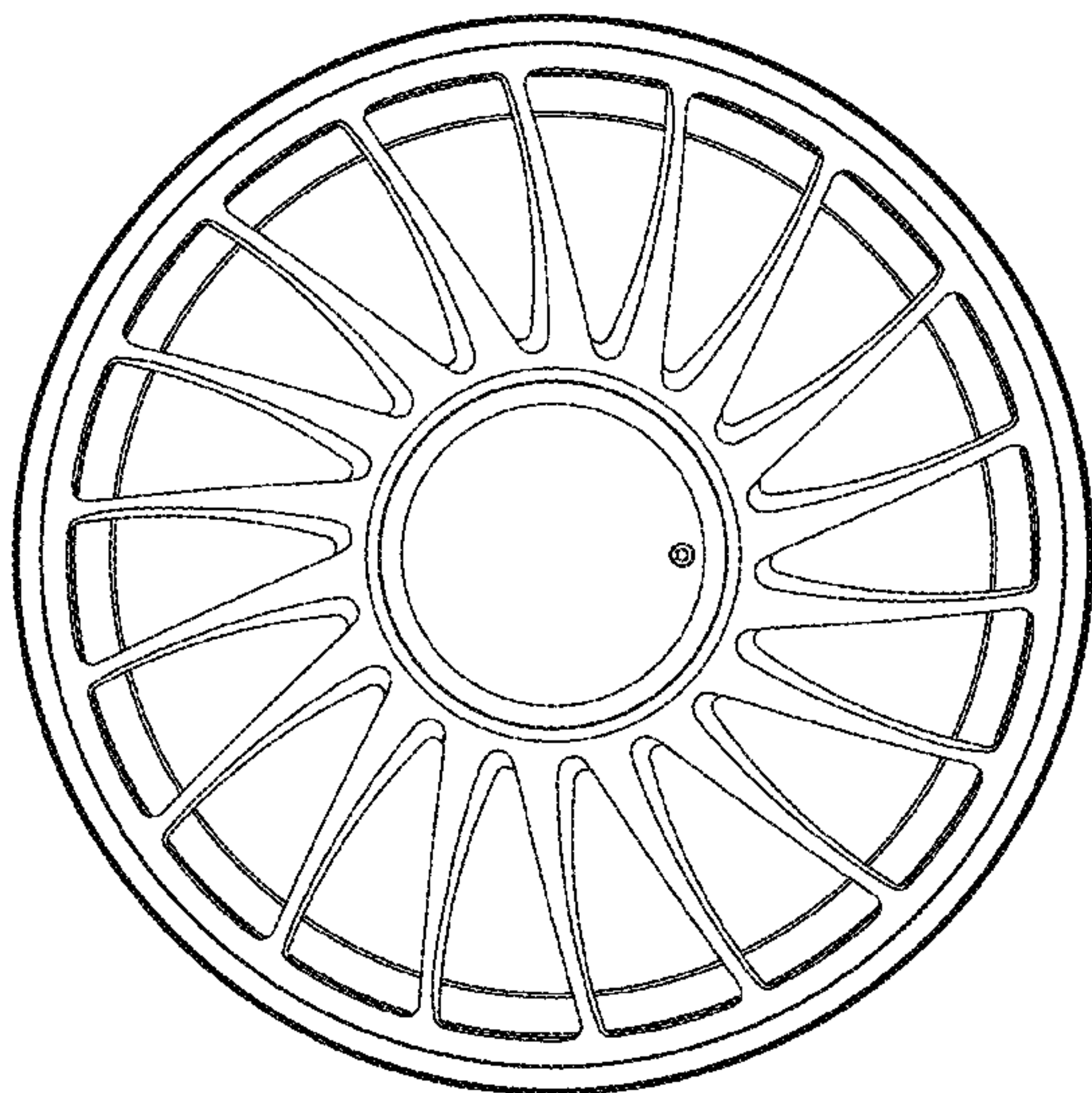
Primary Examiner — Stacia Cadmus

(57) **CLAIM**
I claim the ornamental design for a left automotive wheel, as shown and described.

DESCRIPTION

FIG. 1 is a front view of the left automotive wheel of the claimed design;
FIG. 2 is a front perspective view of the left automotive wheel of FIG. 1; and,
FIG. 3 is a side view of the left automotive wheel of FIG. 1.

1 Claim, 3 Drawing Sheets



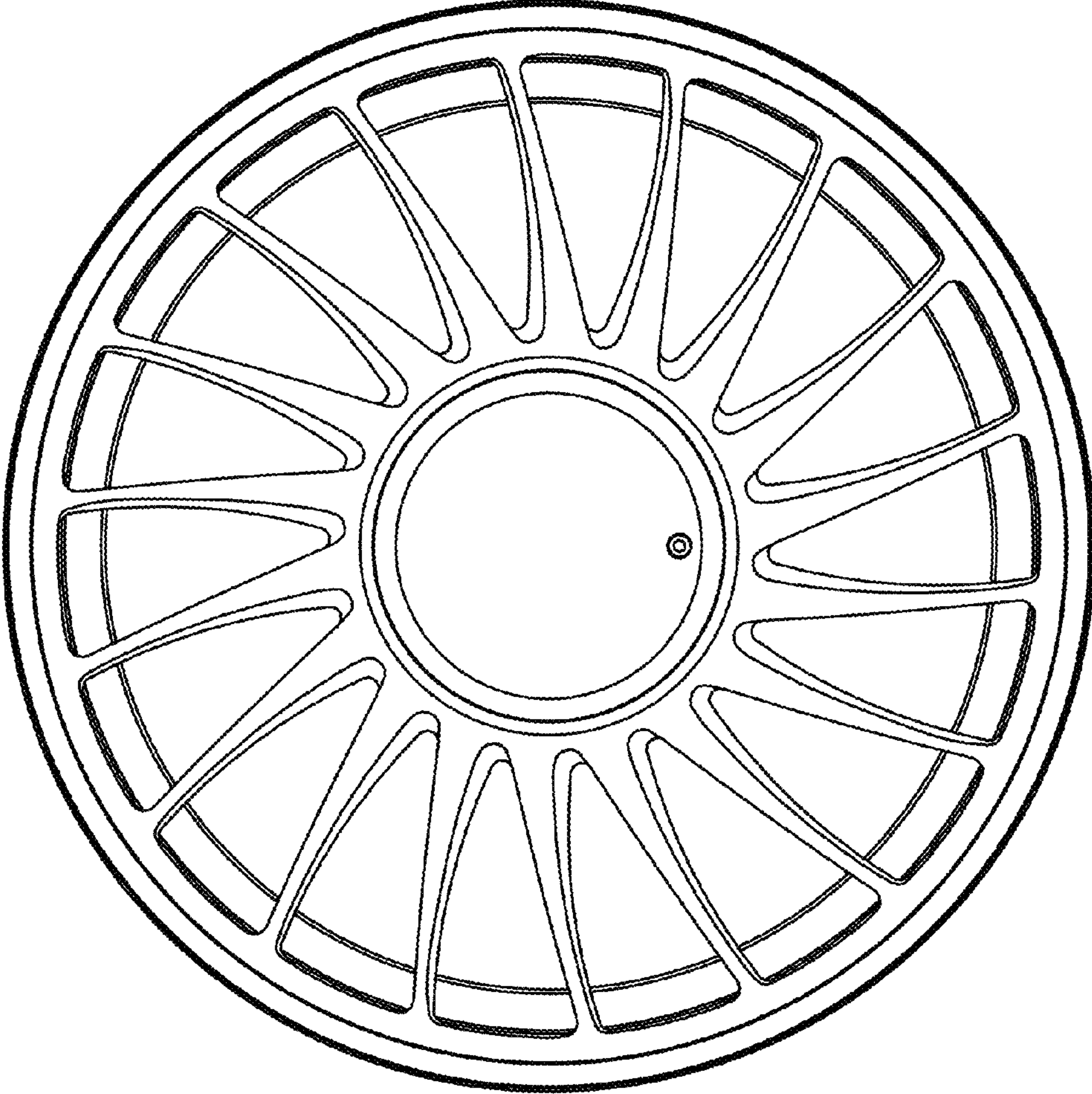


FIGURE 1

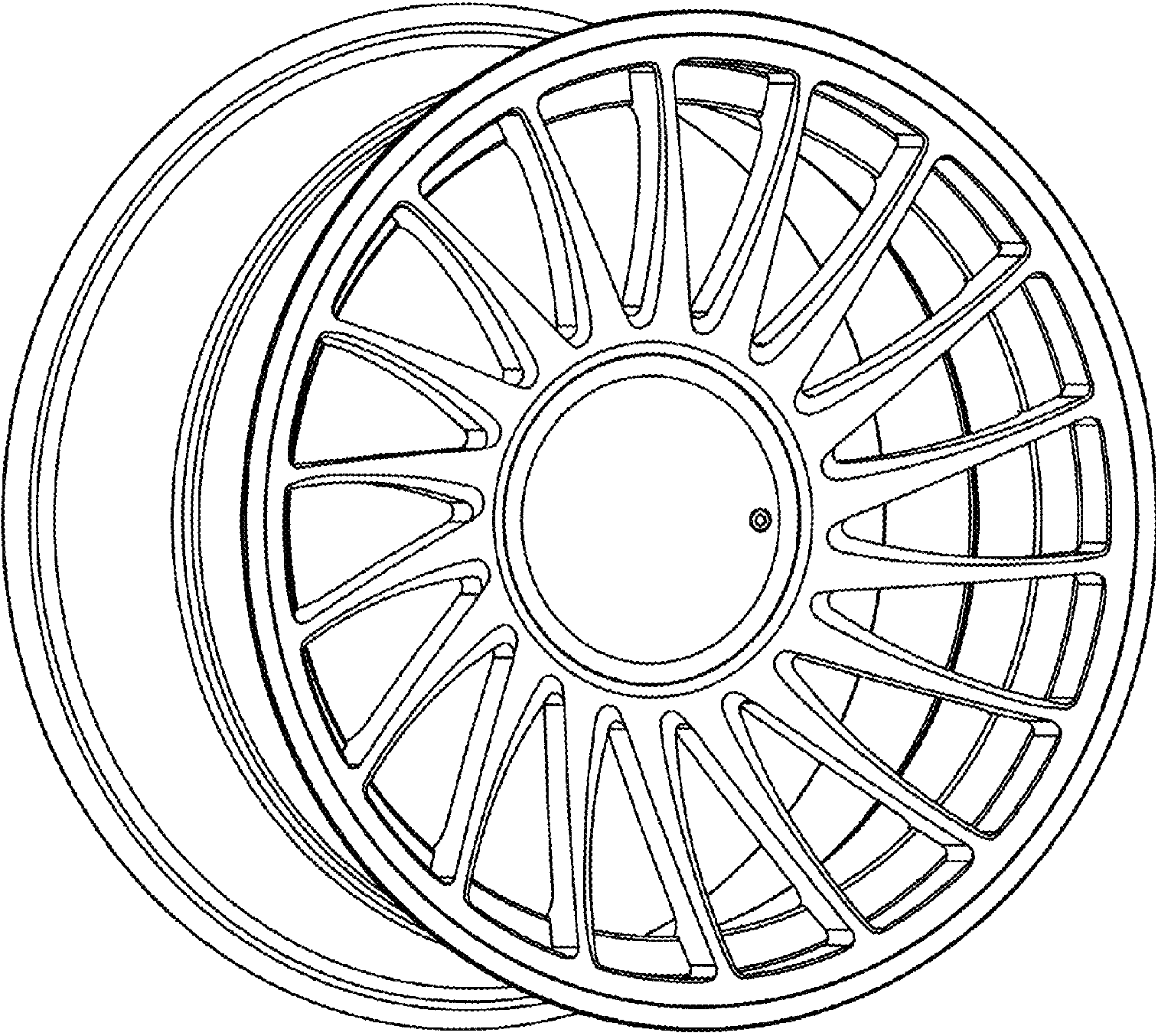


FIGURE 2

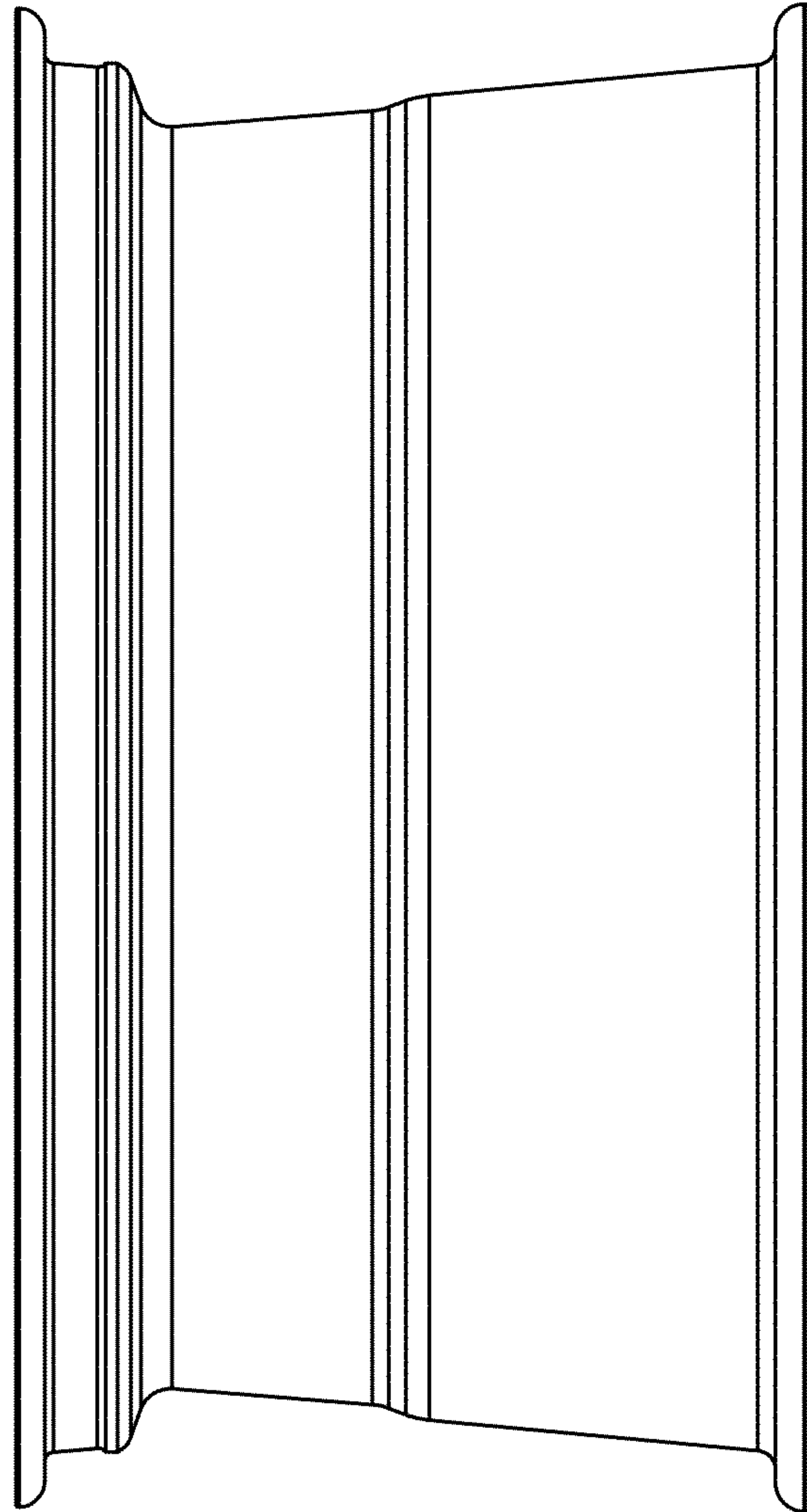


FIGURE 3