



US00D745839S

(12) **United States Design Patent**
Whittaker

(10) **Patent No.:** **US D745,839 S**

(45) **Date of Patent:** **** Dec. 22, 2015**

(54) **MIRROR EXTENSION MOUNTING BRACKET**

(71) Applicant: **James E. Whittaker**, Arlington, WA (US)

(72) Inventor: **James E. Whittaker**, Arlington, WA (US)

(**) Term: **14 Years**

(21) Appl. No.: **29/474,558**

(22) Filed: **Oct. 27, 2014**

(51) **LOC (10) Cl.** **12-16**

(52) **U.S. Cl.**
USPC **D12/187**

(58) **Field of Classification Search**
USPC D12/187, 188, 189; D6/300, 306
CPC B60R 1/076; G02B 7/18; G02B 5/08;
G02B 7/182
See application file for complete search history.

(56) **References Cited**

U.S. PATENT DOCUMENTS

3,247,678	A *	4/1966	Mohlman	62/199
4,730,913	A	3/1988	Boothe		
5,513,048	A	4/1996	Chen		
D387,317	S *	12/1997	Lang	D12/187

5,903,402	A	5/1999	Hoek		
6,116,743	A	9/2000	Hoek		
D552,020	S *	10/2007	Hofle	D12/187
7,318,650	B2 *	1/2008	Courbon	359/872
D610,060	S *	2/2010	Meier et al.	D12/187
D727,812	S *	4/2015	Hanson et al.	D12/187
D731,375	S *	6/2015	Roberts et al.	D12/187
2009/0161378	A1 *	6/2009	Enz	362/494

* cited by examiner

Primary Examiner — Katrina A Betton

(74) *Attorney, Agent, or Firm* — Paul R. Martin

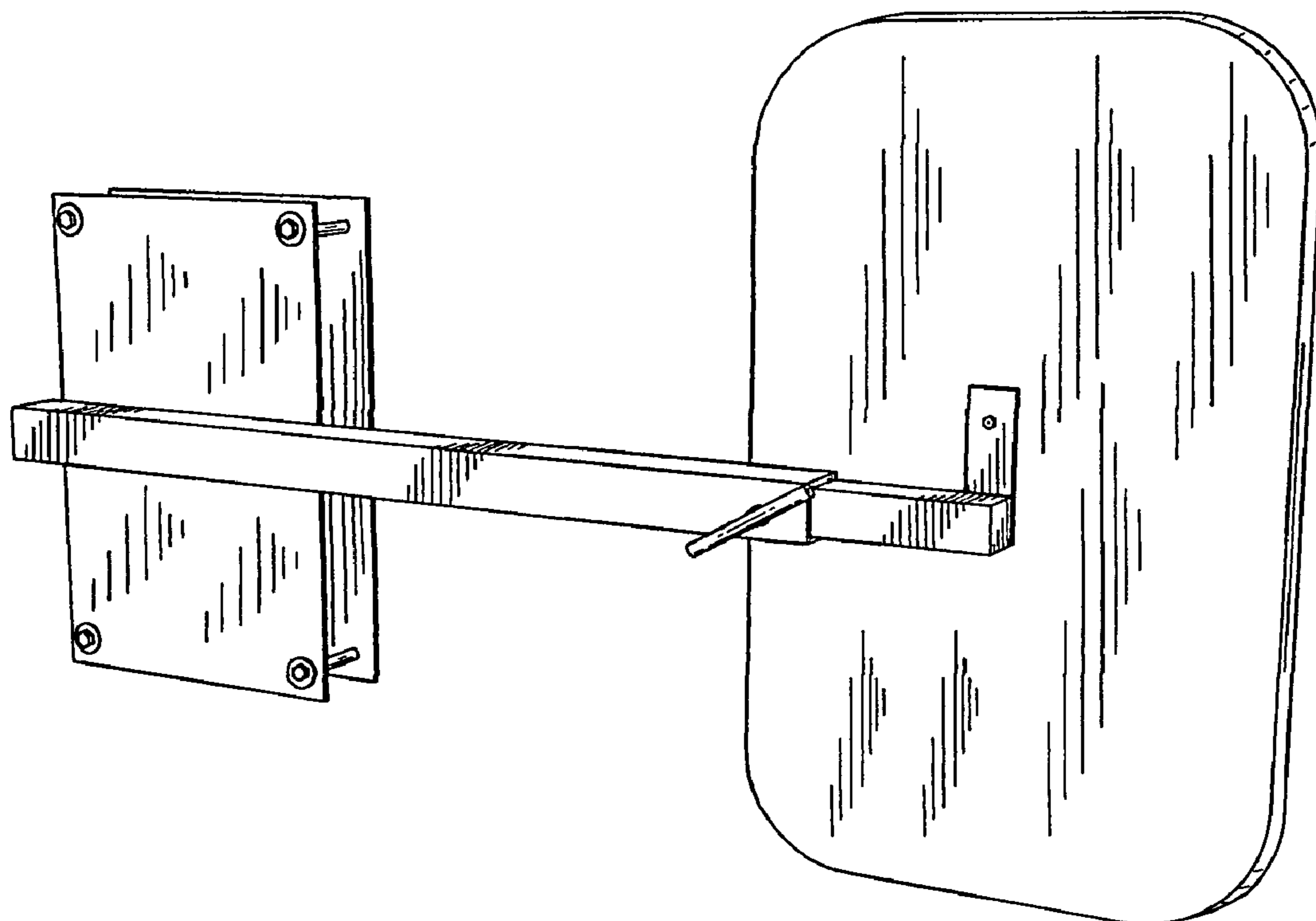
(57) **CLAIM**

The ornamental design for a mirror extension mounting bracket, as shown and described.

DESCRIPTION

FIG. 1 is a perspective view of the mirror extension mounting bracket of my new design showing it mounted on a truck.
FIG. 2 Is another perspective view thereof.
FIG. 3 is a front elevational view thereof.
FIG. 4 is a back elevational view thereof.
FIG. 5 is a top plan view thereof.
FIG. 6 is a bottom plan view thereof.
FIG. 7 is a right side elevational view thereof; and,
FIG. 8 is a left side elevational view thereof.
The broken line element in FIG. 1, depicting a truck, is an environmental element, and forms no part of my new design.

1 Claim, 4 Drawing Sheets



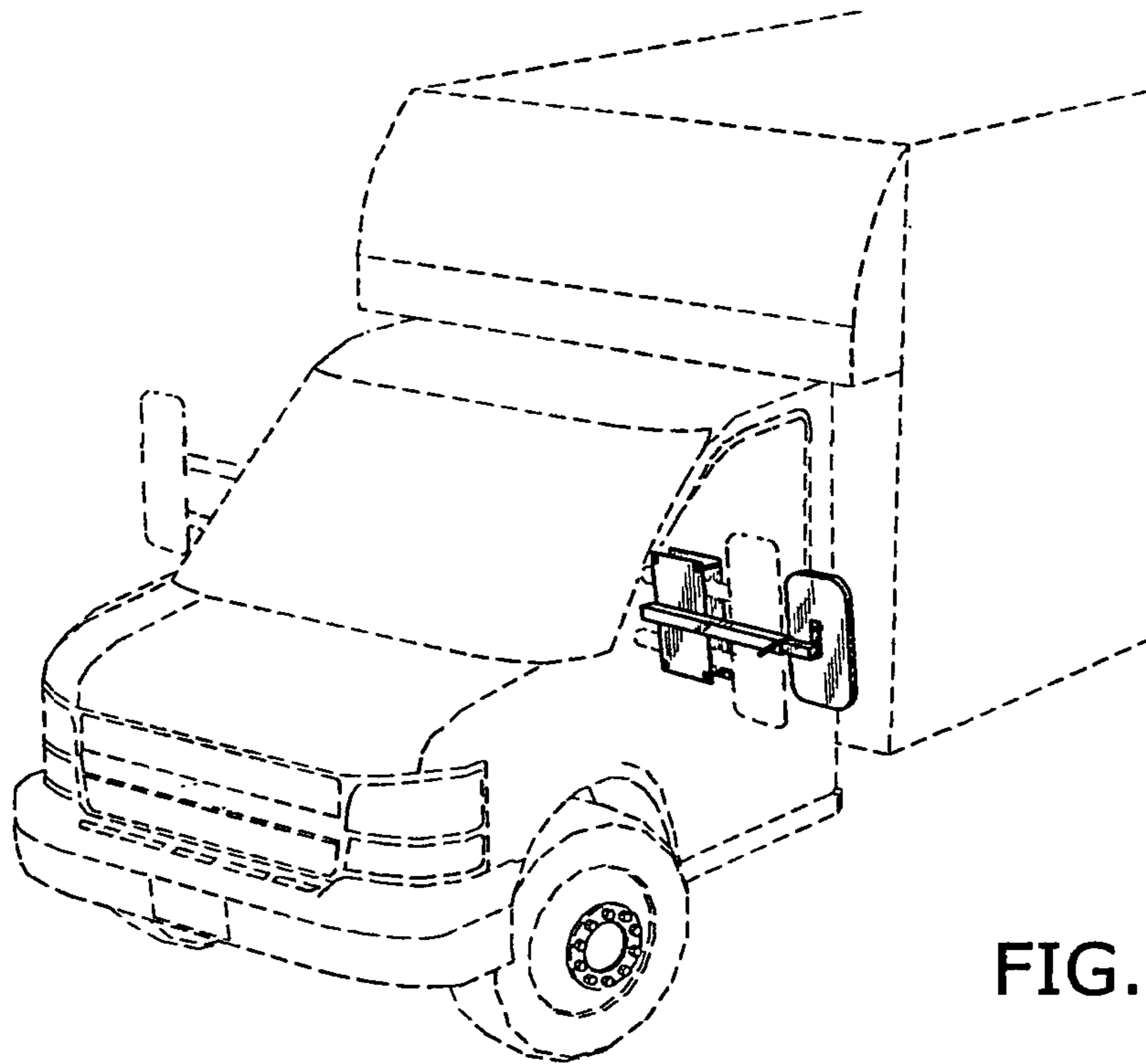


FIG. 1

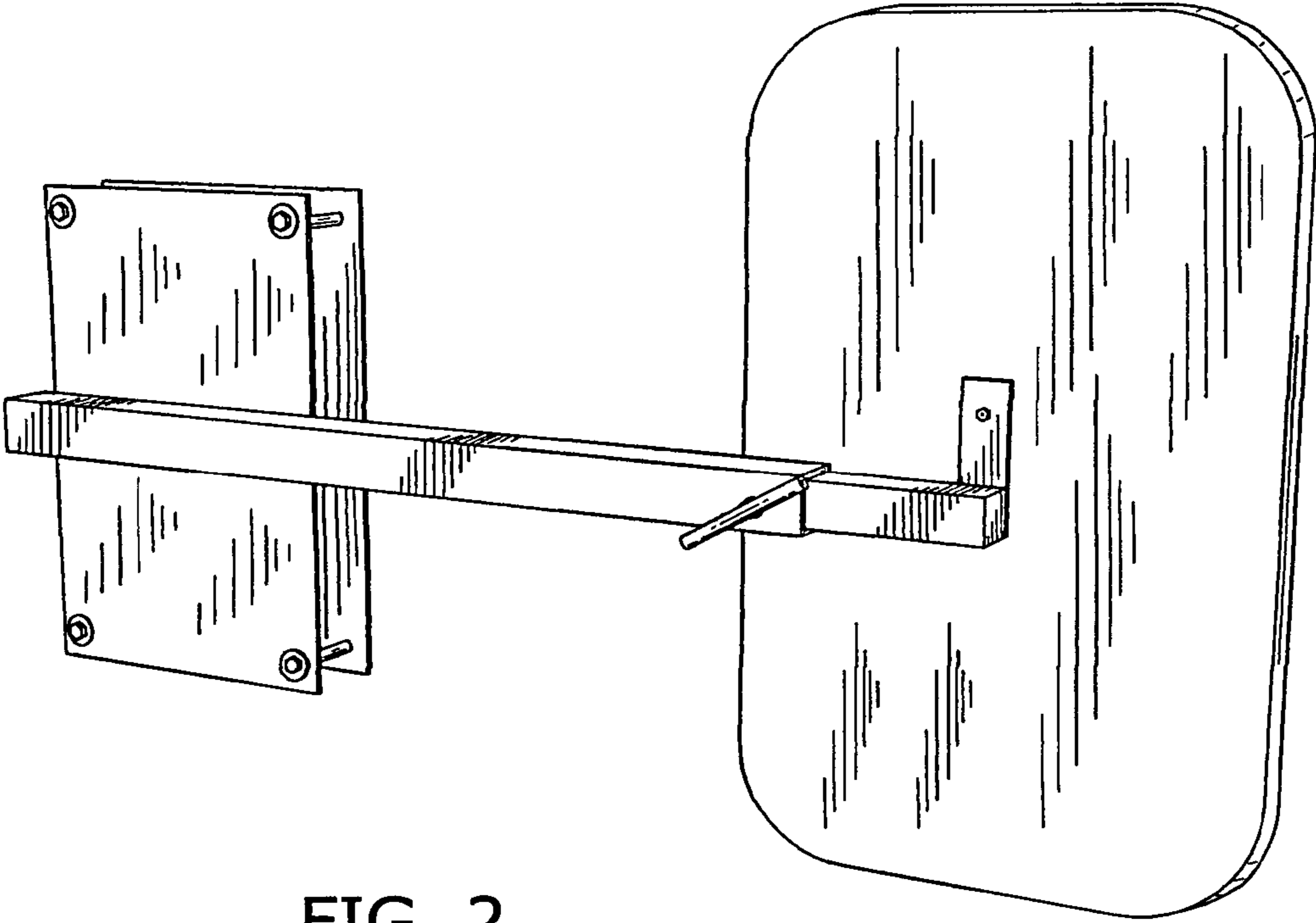


FIG. 2

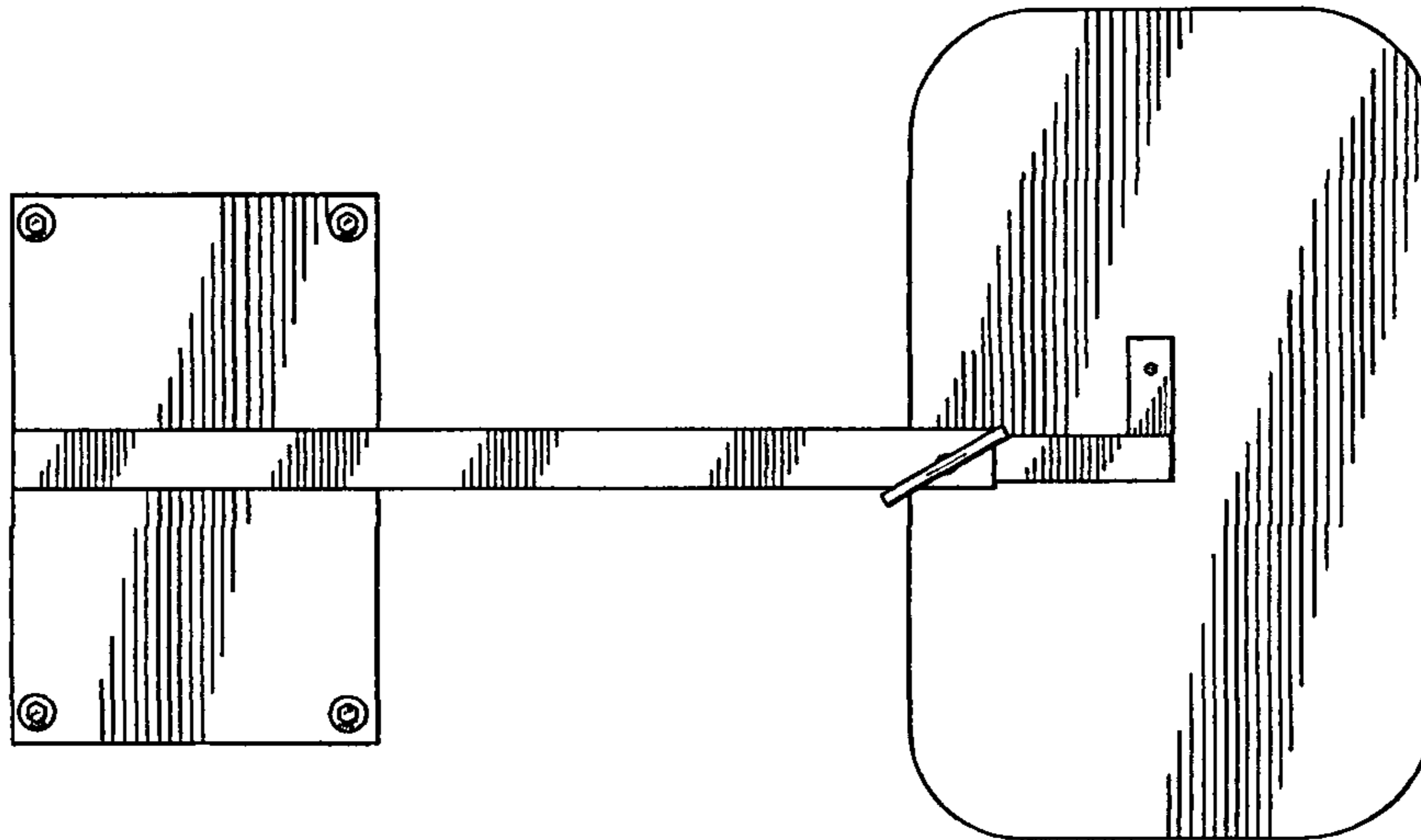


FIG. 3

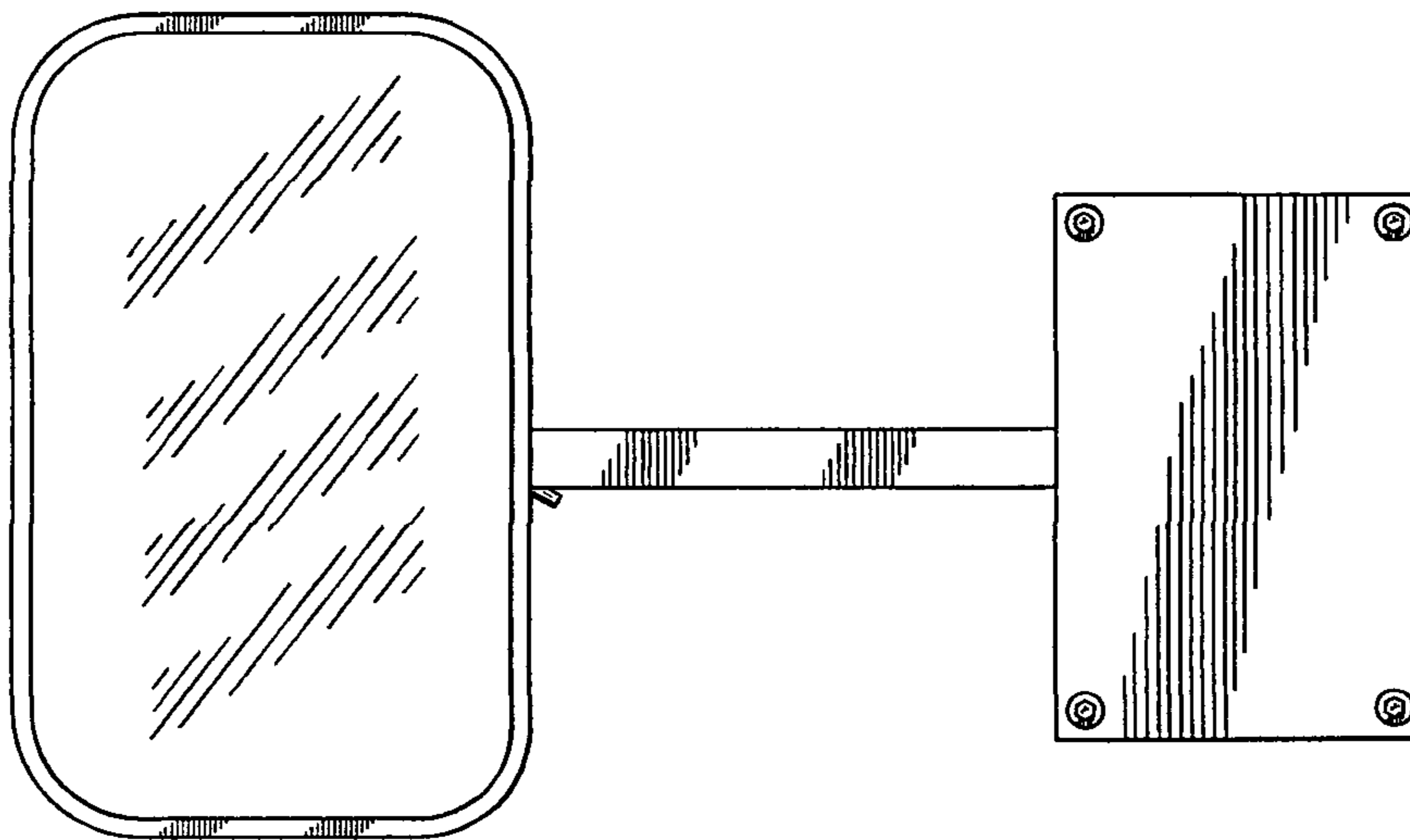


FIG. 4

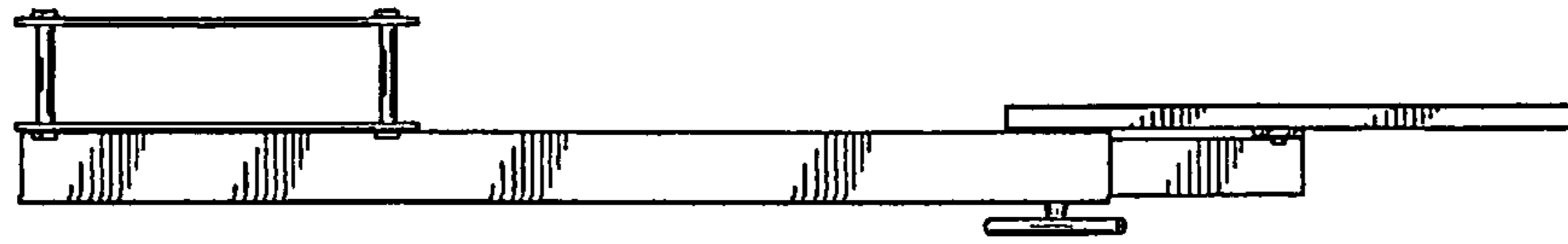


FIG. 5

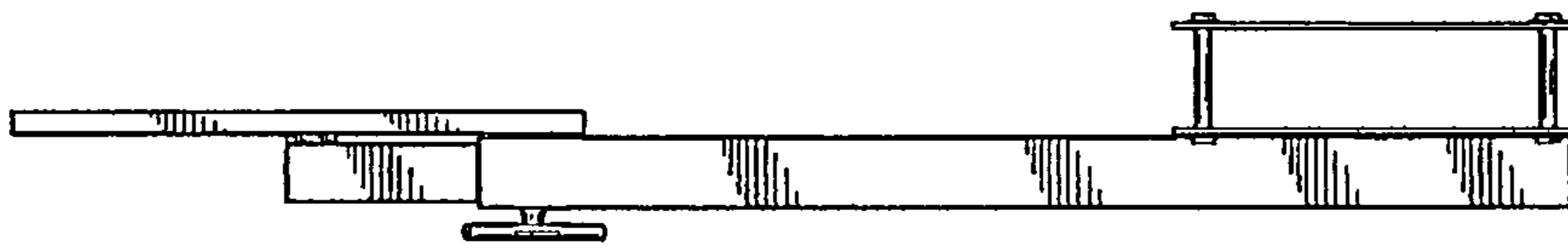


FIG. 6

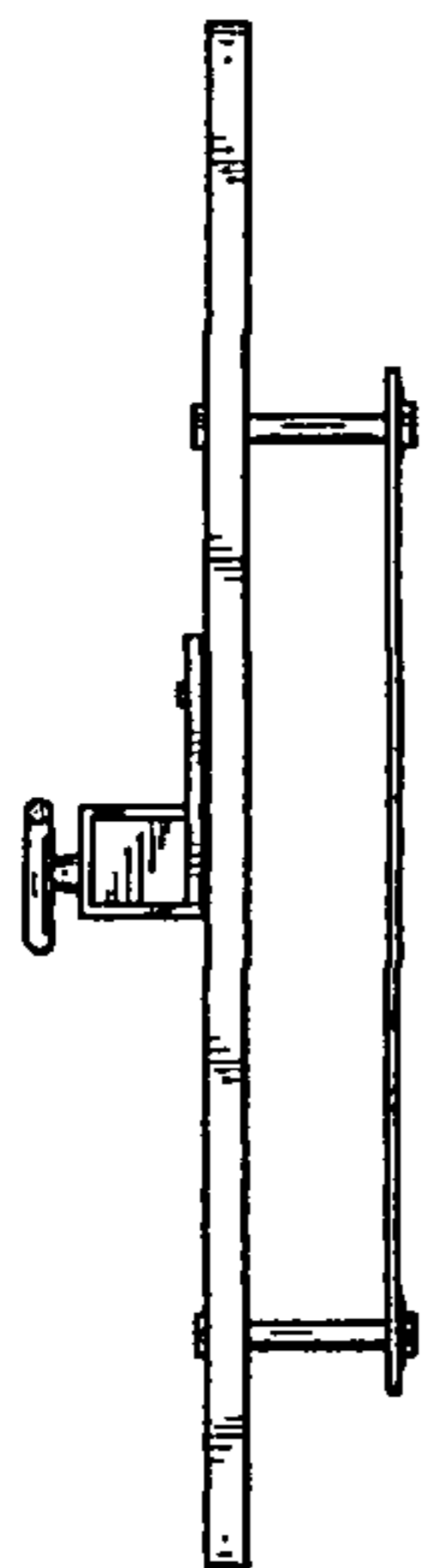


FIG. 7

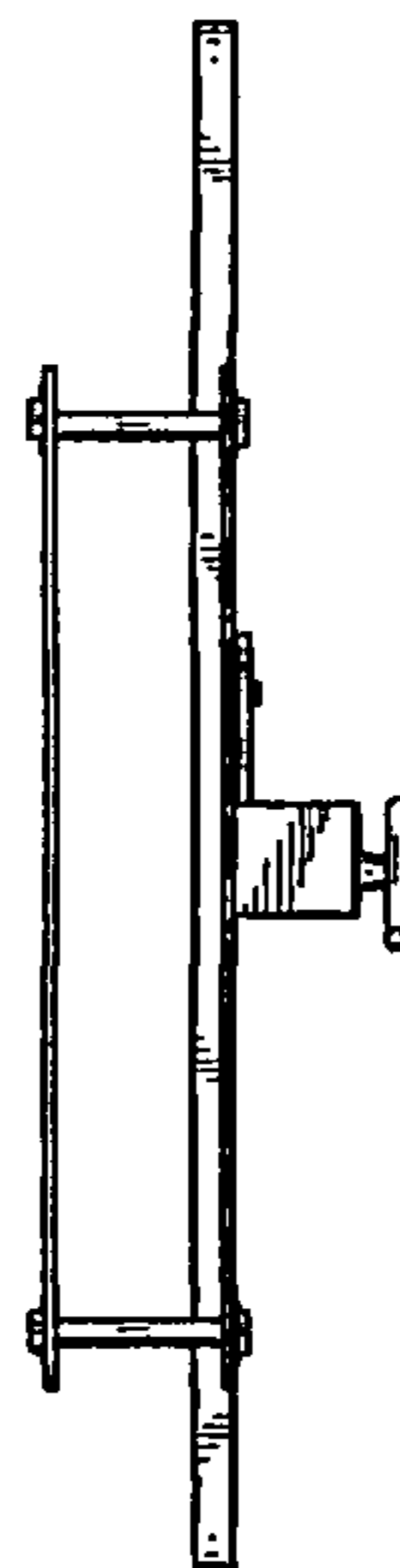


FIG. 8