



US00D745837S

(12) **United States Design Patent**
Smith et al.

(10) **Patent No.:** **US D745,837 S**

(45) **Date of Patent:** **** Dec. 22, 2015**

- (54) **VEHICLE FRONT BUMPER**
- (71) Applicant: **GM GLOBAL TECHNOLOGY OPERATIONS LLC**, Detroit, MI (US)
- (72) Inventors: **Brian J. Smith**, Farmington Hills, MI (US); **Robin Krieg**, Bloomfield Hills, MI (US)
- (73) Assignee: **GM Global Technology Operations LLC**, Detroit, MI (US)
- (**) Term: **14 Years**
- (21) Appl. No.: **29/498,232**
- (22) Filed: **Aug. 1, 2014**
- (51) **LOC (10) Cl.** **12-16**
- (52) **U.S. Cl.**
USPC **D12/169**
- (58) **Field of Classification Search**
USPC D12/169, 216, 90-92, 86, 171, 196,
D12/163; 293/102, 113, 115, 117, 120;
296/180.1, 180.2
CPC . B60R 19/52; B60R 2019/25; B62D 25/0845
See application file for complete search history.

D636,303 S *	4/2011	Frei et al.	D12/169
D656,871 S *	4/2012	Fetherston et al.	D12/169
D664,901 S *	8/2012	Futschik et al.	D12/169
D670,627 S *	11/2012	Fetherston et al.	D12/169
D686,119 S *	7/2013	Futschik et al.	D12/169
D690,628 S *	10/2013	Minamisawa et al.	D12/169
D691,526 S *	10/2013	Uchino	D12/169
D711,796 S *	8/2014	Futschik et al.	D12/169
D718,189 S *	11/2014	Krieg et al.	D12/92
D725,011 S *	3/2015	Kobayashi	D12/169

OTHER PUBLICATIONS

Design U.S. Appl. No. 29/466,631, filed Sep. 10, 2013; First Named Inventor: Louis D. Thole; Title: Vehicle Front Fascia.
 Design U.S. Appl. No. 29/471,417, filed Oct. 31, 2013; First Named Inventor: Robin Krieg; Title: Vehicle Body Exterior.

* cited by examiner

Primary Examiner — Melody N Brown

(74) *Attorney, Agent, or Firm* — Lionel D. Anderson; Reising Ethington P.C.

(57) **CLAIM**

The ornamental design for a vehicle front bumper, as shown and described.

DESCRIPTION

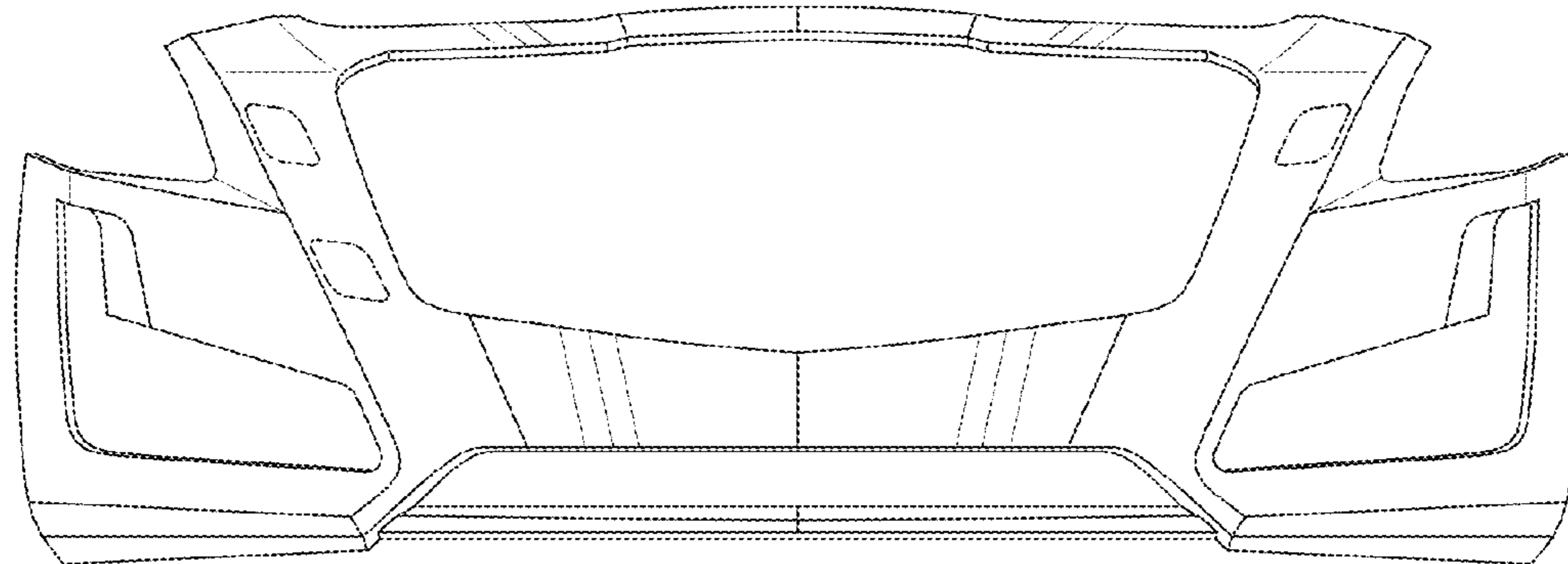
FIG. 1 is a front perspective view of a vehicle front bumper showing our new design;
 FIG. 2 is a left side elevation view thereof;
 FIG. 3 is a front view thereof; and,
 FIG. 4 is a top plan view thereof.
 The right side elevation view of the vehicle front bumper is omitted because the right side elevation view is identical to the left side elevation view.
 The broken lines shown throughout the drawing views are for illustrative purposes only and form no part of the claimed design.

1 Claim, 2 Drawing Sheets

(56) **References Cited**

U.S. PATENT DOCUMENTS

D550,594 S *	9/2007	Pfeiffer	D12/169
D578,451 S *	10/2008	Jodo et al.	D12/169
D580,314 S *	11/2008	Yamaji	D12/169
D586,705 S *	2/2009	Bauer et al.	D12/169
D589,414 S *	3/2009	Futschik et al.	D12/169
D605,096 S *	12/2009	Mueller	D12/169
D610,956 S *	3/2010	Truebsbach	D12/169
D623,566 S *	9/2010	Bauer et al.	D12/169
D625,230 S *	10/2010	Hirai et al.	D12/169
D626,473 S *	11/2010	Mueller	D12/169
D630,978 S *	1/2011	Koshino et al.	D12/169
D633,013 S *	2/2011	Bauer et al.	D12/169



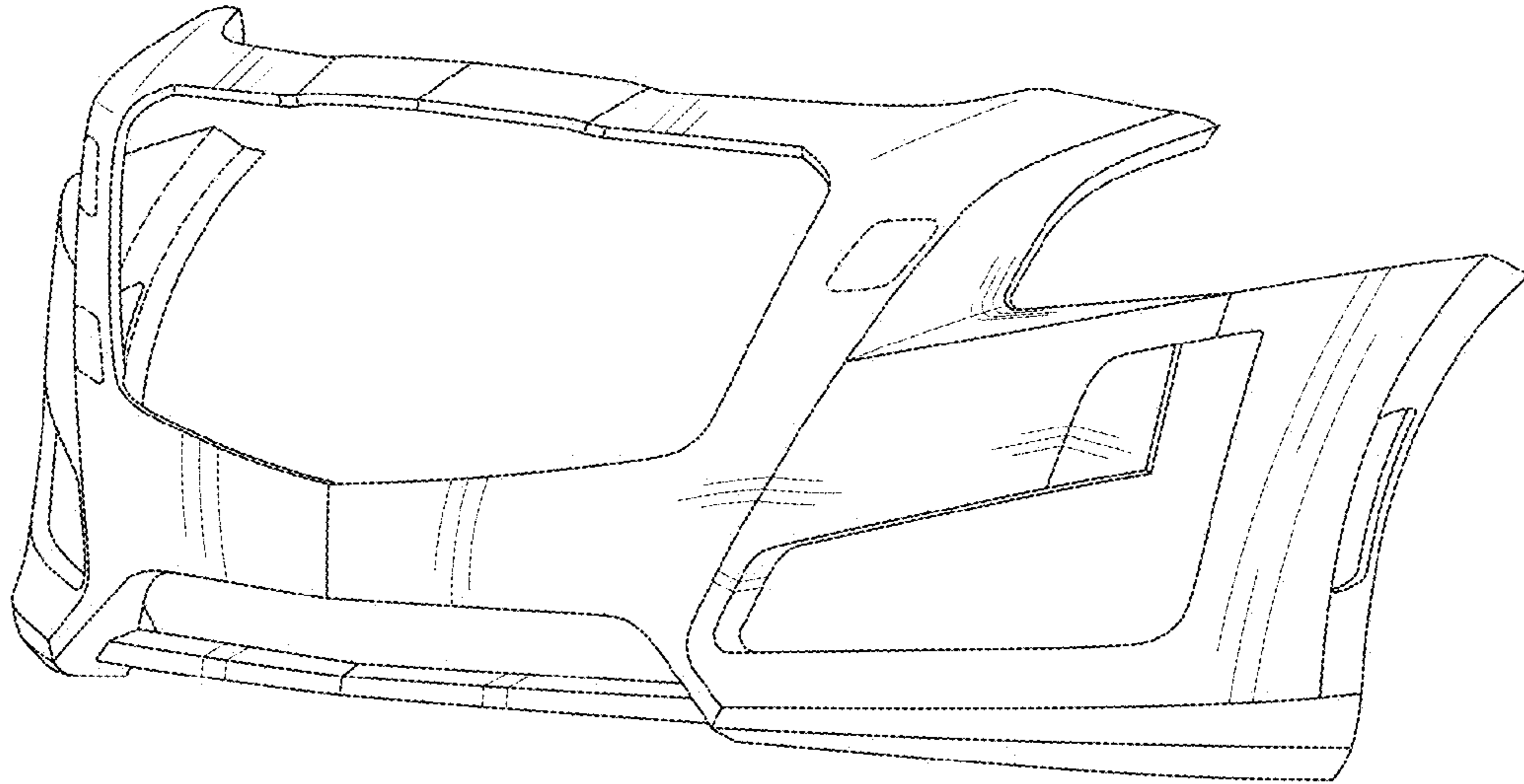


Fig-1

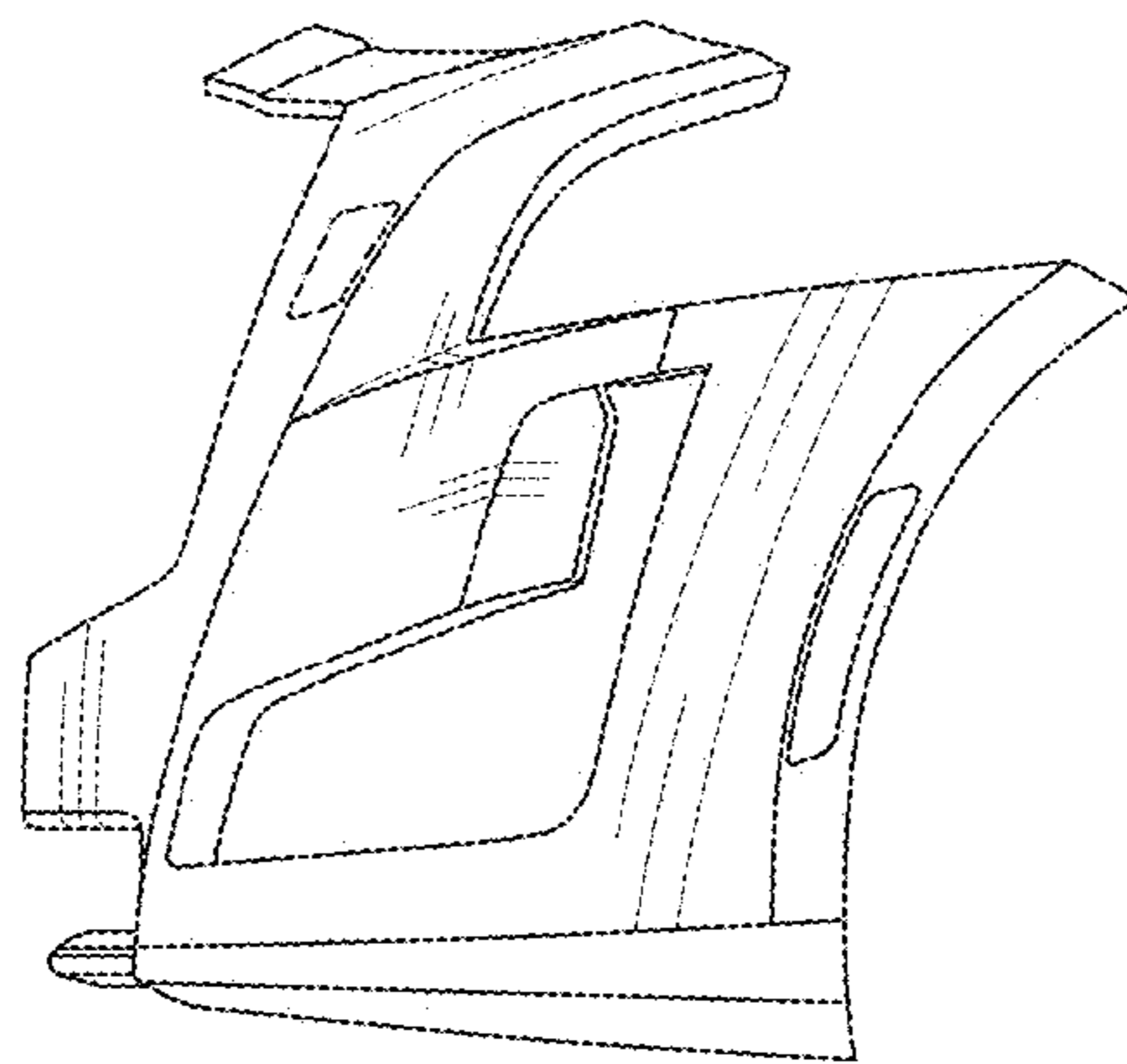


Fig-2

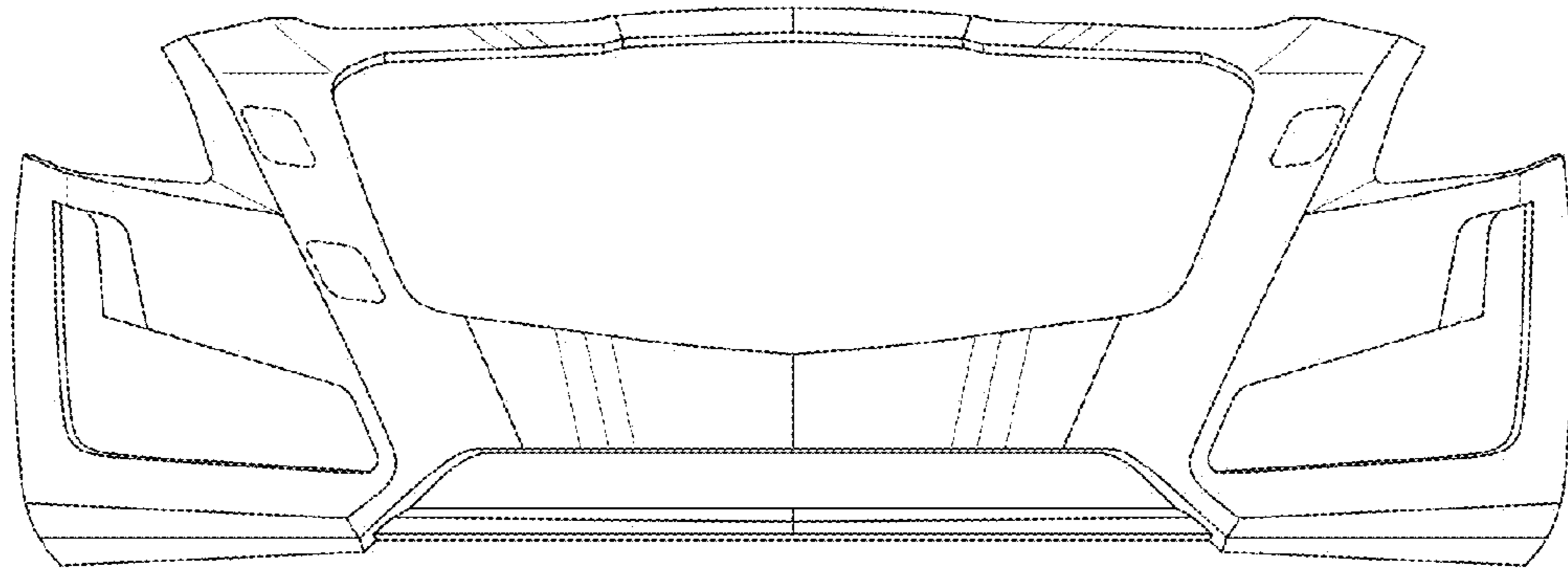


Fig-3

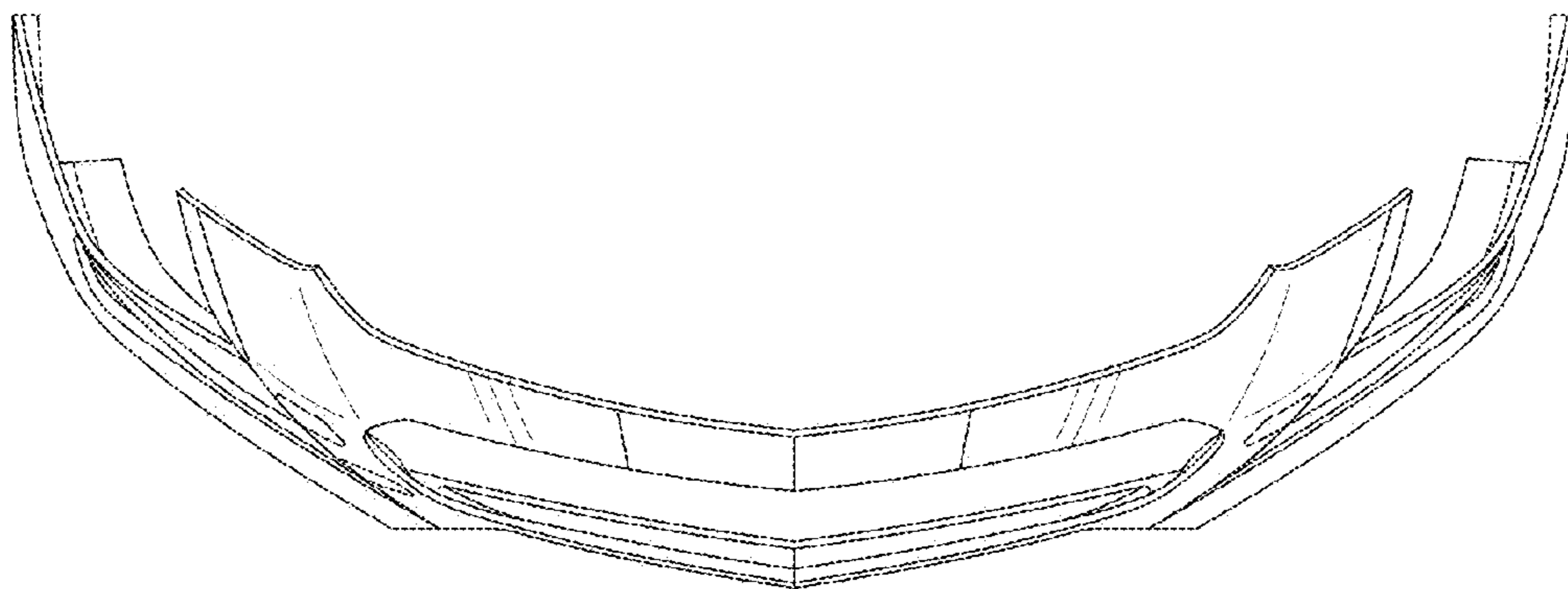


Fig-4