



US00D745836S

(12) **United States Design Patent**  
**Poster et al.**

(10) **Patent No.:** **US D745,836 S**

(45) **Date of Patent:** **\*\* Dec. 22, 2015**

(54) **BICYCLE**

(71) Applicants: **Matthew Poster**, Madison, WI (US);  
**Michael Hammond**, Madison, WI (US);  
**Brady Schroedl**, Whitewater, WI (US)

(72) Inventors: **Matthew Poster**, Madison, WI (US);  
**Michael Hammond**, Madison, WI (US);  
**Brady Schroedl**, Whitewater, WI (US)

(73) Assignee: **B-Cycle, LLC**, Waterloo, WI (US)

(\*\*) Term: **14 Years**

(21) Appl. No.: **29/480,017**

(22) Filed: **Jan. 22, 2014**

(51) **LOC (10) Cl.** ..... **12-11**

(52) **U.S. Cl.**  
USPC ..... **D12/111**

(58) **Field of Classification Search**  
USPC ..... D12/111, 117, 406, 407; 280/202,  
280/274–280, 281.1, 283–288,  
280/288.1–288.4; 224/42.11, 42.13, 400,  
224/412, 419–427  
CPC ..... B62K 3/00; B62K 3/005; B62K 9/00;  
B62K 19/00; B62K 19/02; B62K 19/04;  
B62K 19/06; B62K 19/16  
See application file for complete search history.

(56) **References Cited**

**U.S. PATENT DOCUMENTS**

D401,534 S \* 11/1998 Higashihara et al. .... D12/110  
D414,721 S \* 10/1999 Nakamura ..... D12/111  
D430,532 S \* 9/2000 Frazier ..... D12/407  
D465,438 S \* 11/2002 Masui et al. .... D12/111  
D574,756 S \* 8/2008 Masui et al. .... D12/111  
D578,440 S \* 10/2008 Giugiaro ..... D12/111  
7,503,573 B2 \* 3/2009 Finlaw et al. .... 280/202  
D594,787 S \* 6/2009 Dallaire ..... D12/111

D625,228 S \* 10/2010 Lockart ..... D12/111  
D626,037 S \* 10/2010 Thetard ..... D12/111  
D626,493 S \* 11/2010 Dallaire et al. .... D12/407  
D634,673 S \* 3/2011 Lockart et al. .... D12/111  
D644,962 S \* 9/2011 Schoonhoven et al. .... D12/111

**OTHER PUBLICATIONS**

“2010 Jamis Bicycles.” Product Catalog., Sep. 9, 2009 [online],  
[retrieved on Sep. 5, 2014]. Retrieved from the Internet <URL: [http://www.jamisbikes.com/catalog\\_archive/10\\_JAMIS\\_CATALOG.pdf](http://www.jamisbikes.com/catalog_archive/10_JAMIS_CATALOG.pdf)>.\*

“Cannondale Urban Line 2007.” Product Catalog., Aug. 23, 2006  
[online], [retrieved on Sep. 5, 2014]. Retrieved from the Internet  
<URL: [http://vintagecannondale.com/year/2007/2007urban\\_catalog\\_E.pdf](http://vintagecannondale.com/year/2007/2007urban_catalog_E.pdf)>.\*

“2010 Tek Mountain Bikes.” Product Catalog., Aug. 18, 2009  
[online], [retrieved on Sep. 5, 2014]. Retrieved from the Internet  
<URL: <http://www.trekbikes.com/pdf/2010/catalog/mountain.pdf>>.\*

\* cited by examiner

*Primary Examiner* — Philip S Hyder  
*Assistant Examiner* — Darlington Ly

(57) **CLAIM**

The ornamental design for a bicycle, as shown and described.

**DESCRIPTION**

FIG. 1 is a left side view of an embodiment of a bicycle showing our new design;

FIG. 2 is a right side view thereof;

FIG. 3 is a top view thereof;

FIG. 4 is bottom view thereof;

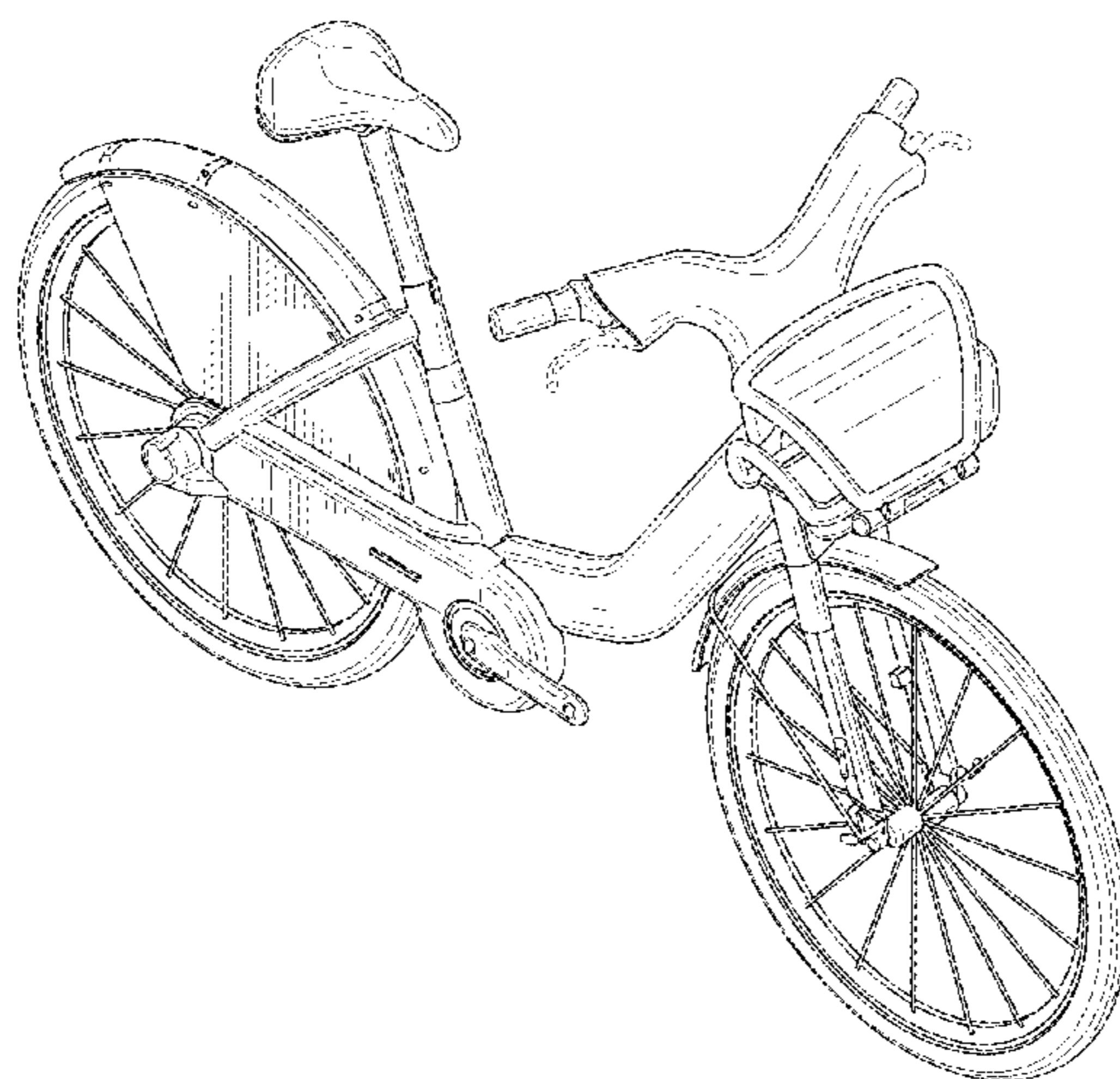
FIG. 5 is a rear view thereof;

FIG. 6 is a front view thereof; and,

FIG. 7 is a perspective thereof.

The broken line showing of brake levers and chain rings is for the purpose of illustrating portions of the bicycle that forms no part of the claimed design.

**1 Claim, 7 Drawing Sheets**



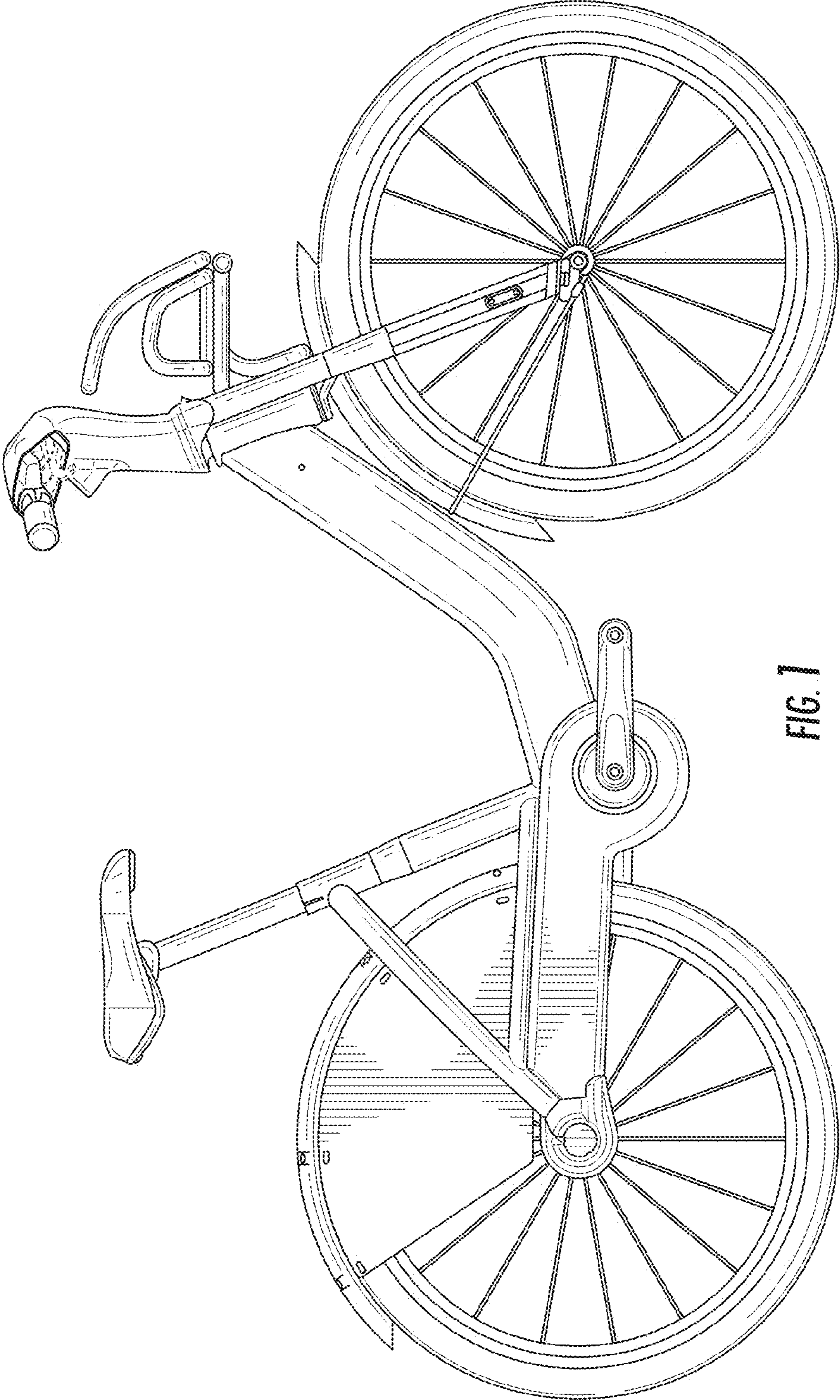


FIG. 1



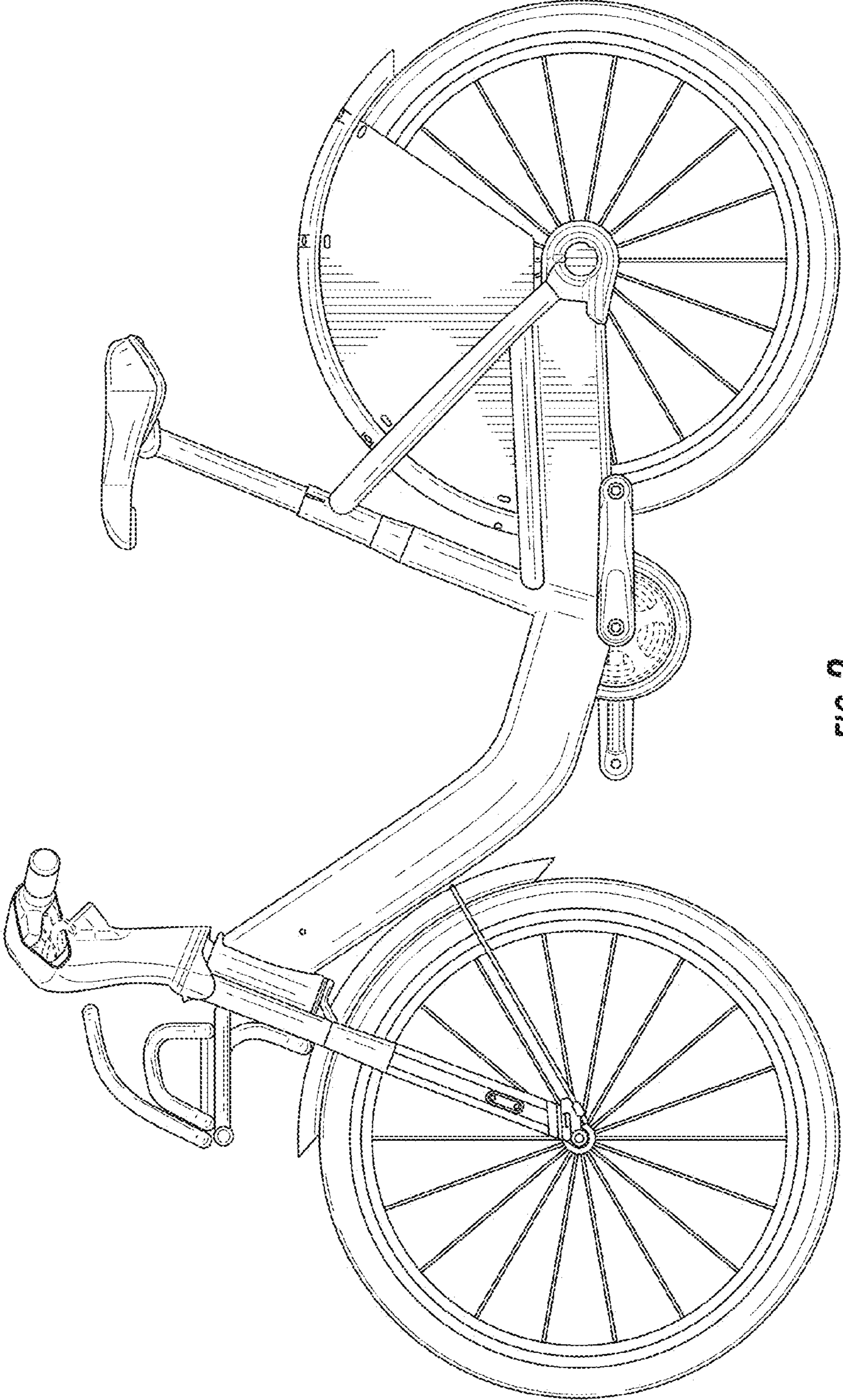


FIG. 2

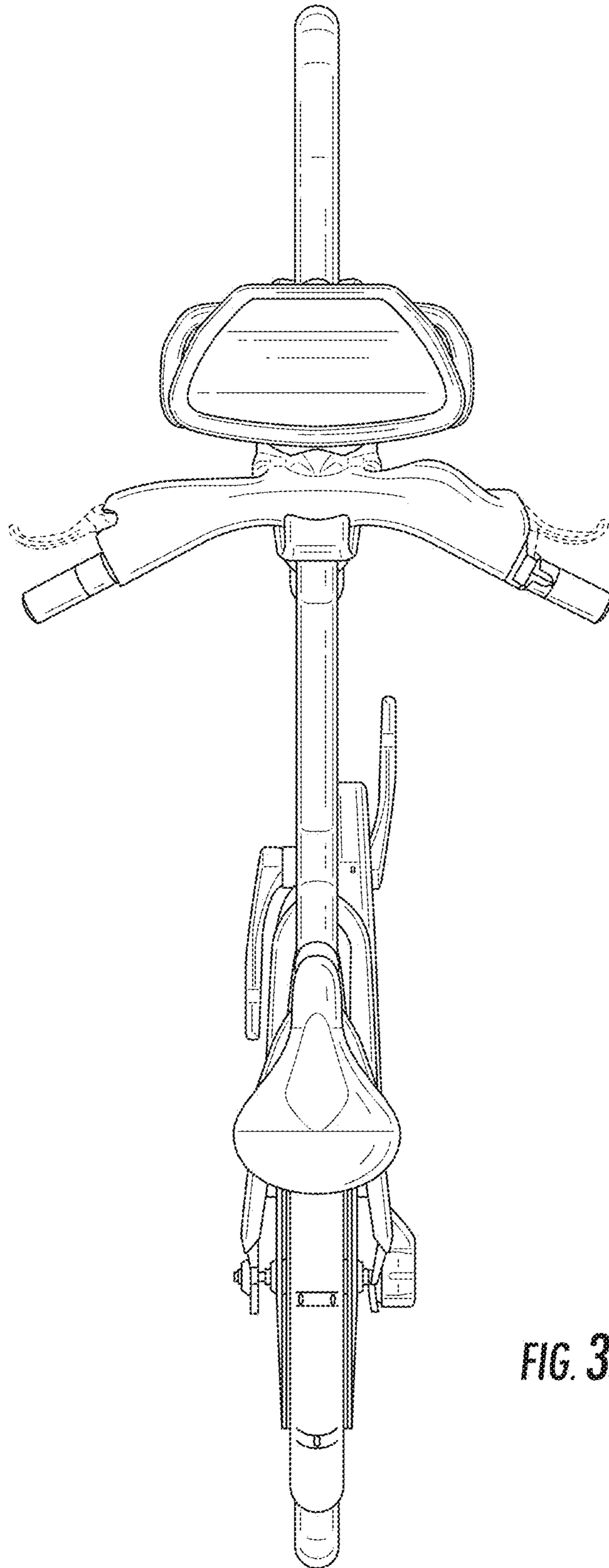


FIG. 3

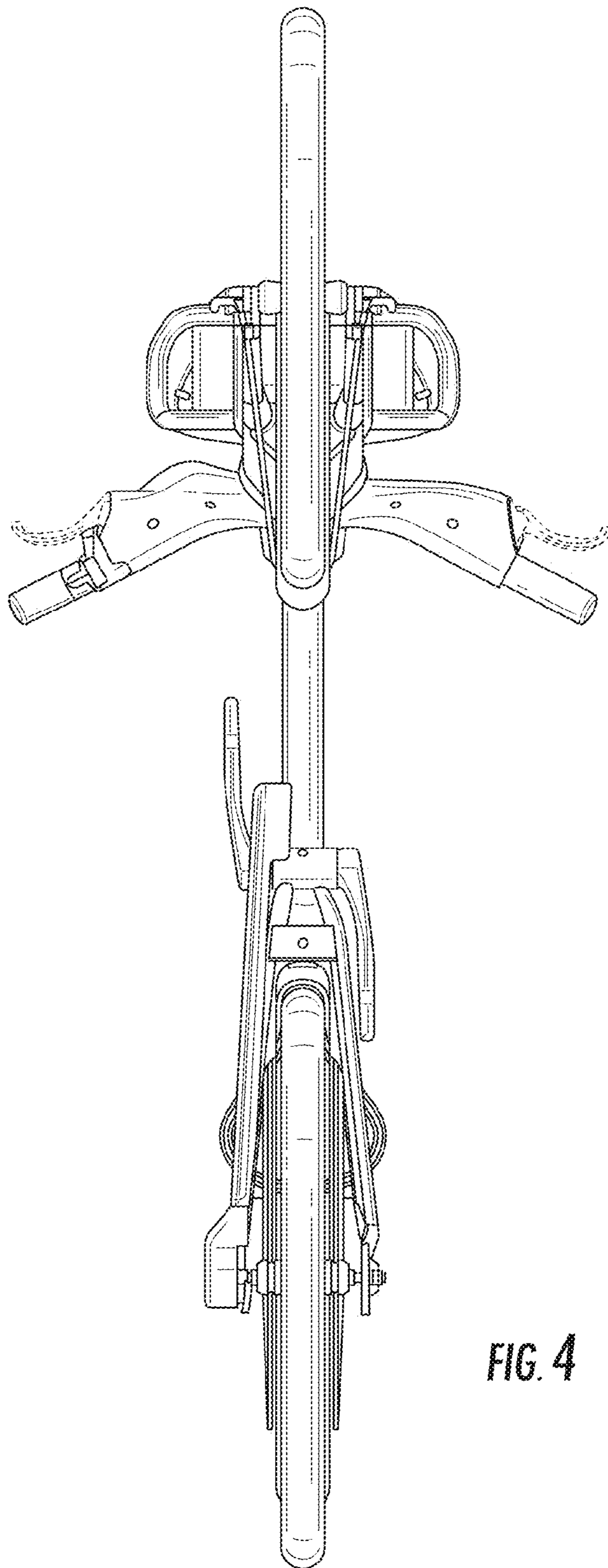


FIG. 4

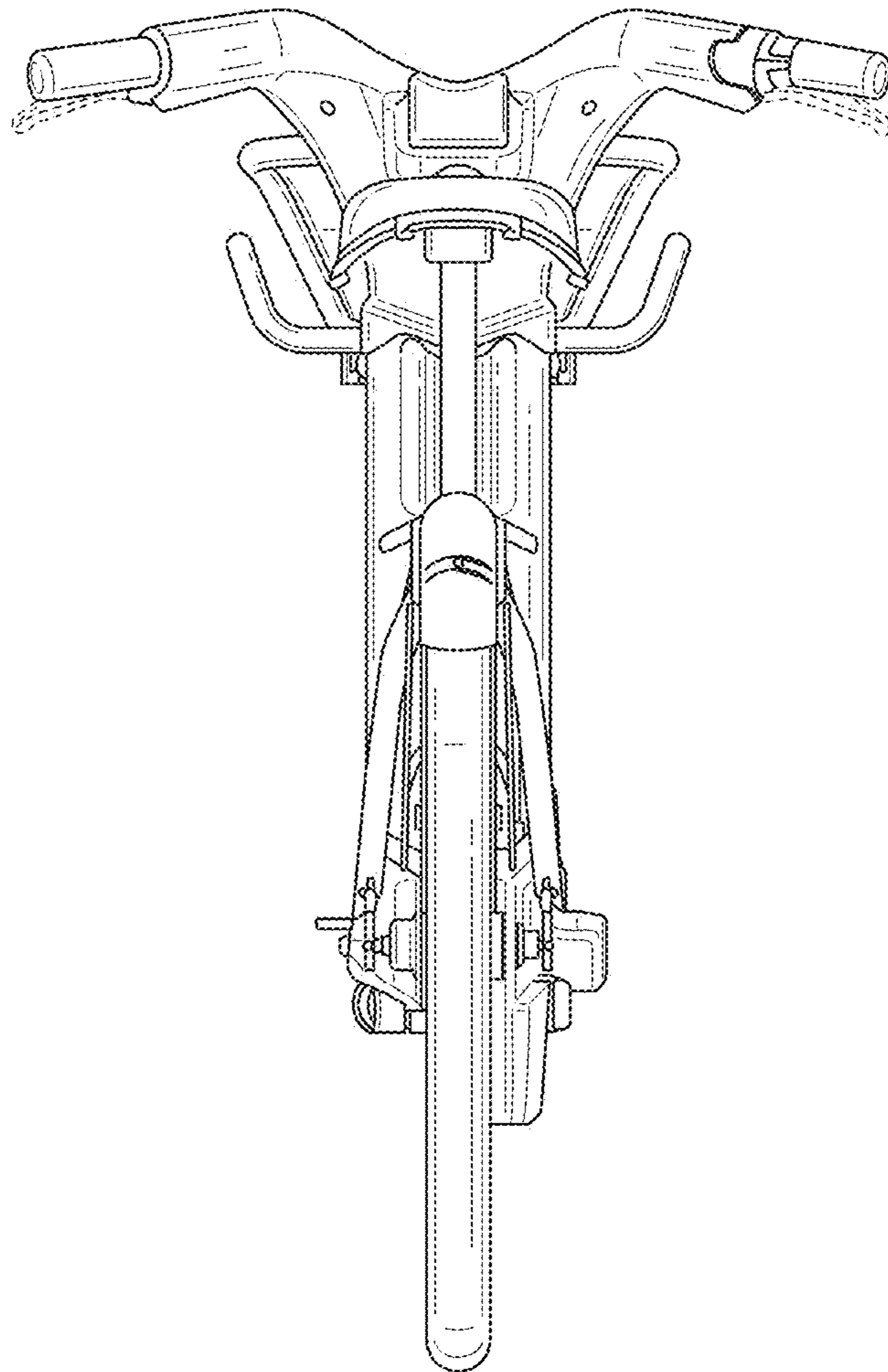


FIG. 5

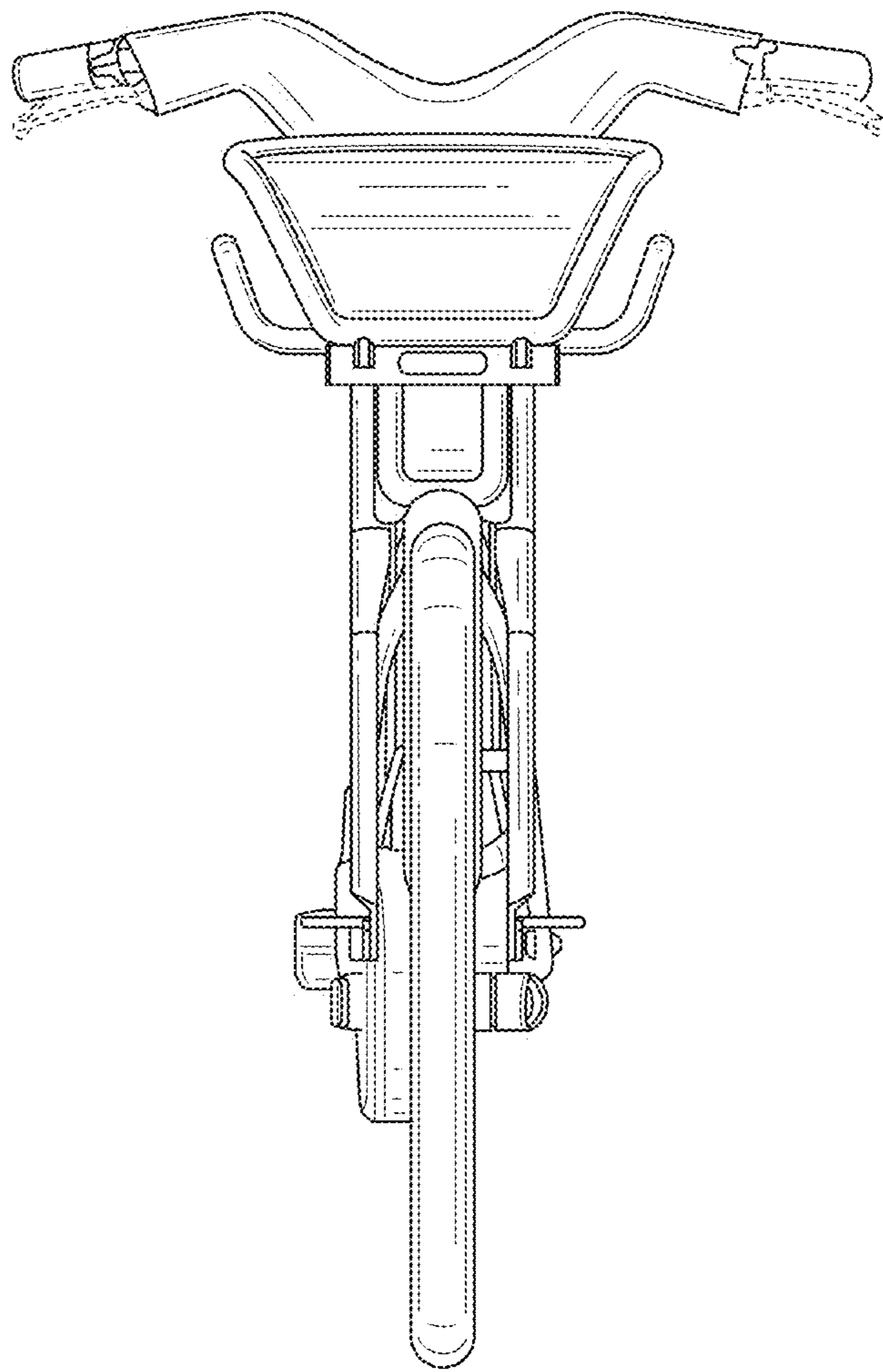


FIG. 6



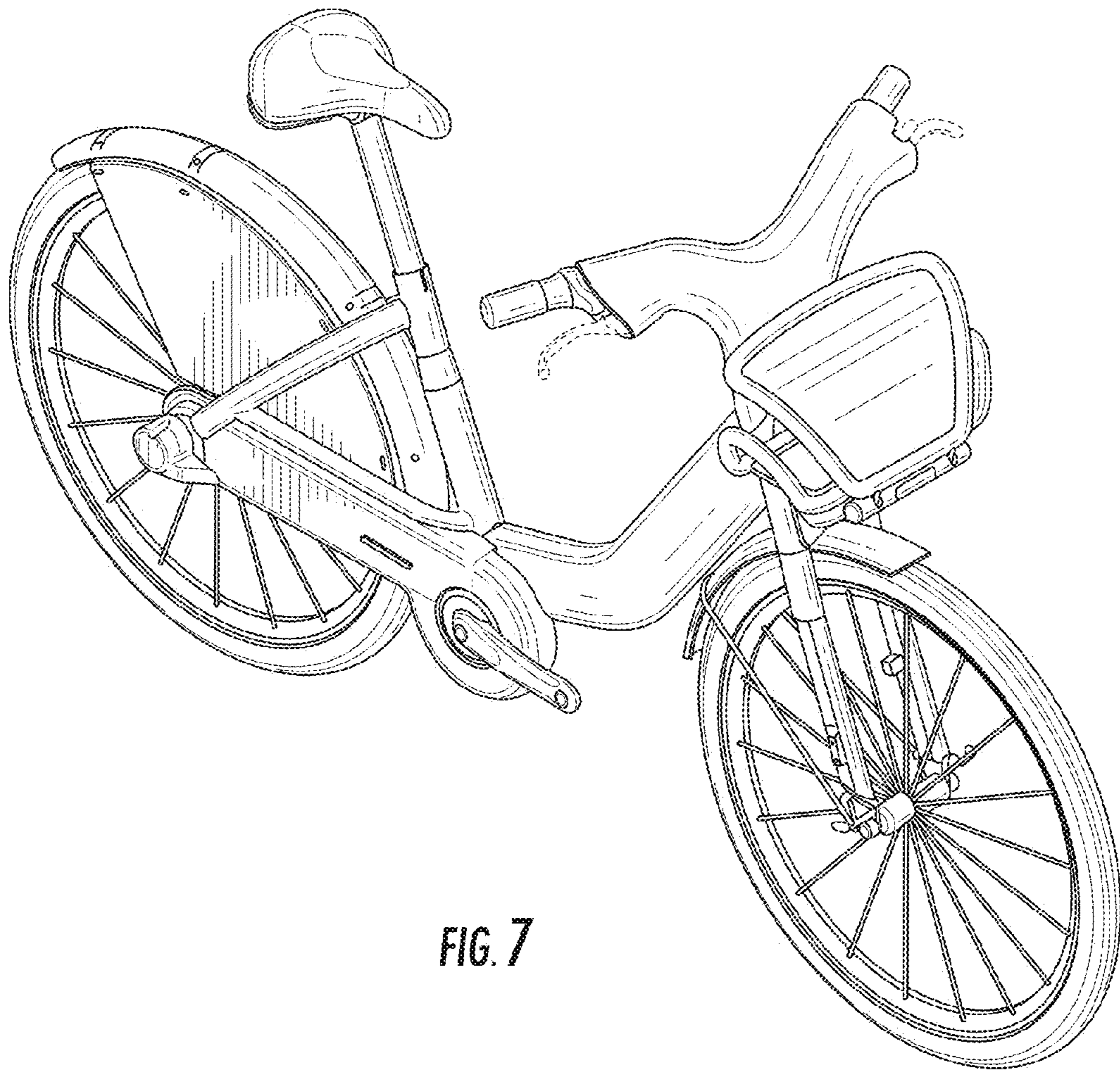


FIG. 7