



US00D745828S

(12) **United States Design Patent**  
**Provost et al.**

(10) **Patent No.:** **US D745,828 S**  
(45) **Date of Patent:** **\*\* Dec. 22, 2015**

(54) **SHAVING RAZOR CARTRIDGE CONTAINER**

(71) Applicant: **SHAVELOGIC, INC.**, Dallas, TX (US)

(72) Inventors: **Craig A. Provost**, Providence, RI (US);  
**John W. Griffin**, Moultonborough, NH (US);  
**William E. Tucker**, Attleboro, MA (US);  
**Aaron G. Cantrell**, Northampton, MA (US)

(73) Assignee: **SHAVELOGIC, INC.**, Dallas, TX (US)

(\*\*) Term: **14 Years**

(21) Appl. No.: **29/497,152**

(22) Filed: **Jul. 21, 2014**

(51) **LOC (10) Cl.** ..... **09-03**

(52) **U.S. Cl.**  
USPC ..... **D9/748**

(58) **Field of Classification Search**  
USPC ..... D9/749, 737, 748, 415; D6/526, 512;  
D3/205, 201; 206/349, 228, 244, 252,  
206/775, 208, 493, 354-360, 352; 30/514  
CPC ..... B26B 21/40; A45D 27/225; A45C 11/26;  
B65D 83/08; B65D 83/10  
See application file for complete search history.

(56) **References Cited**

**U.S. PATENT DOCUMENTS**

1,915,834 A \* 6/1933 Muros ..... B65D 83/10  
206/355  
D231,198 S \* 4/1974 Casselli et al. .... D9/736  
D256,998 S \* 9/1980 Motta ..... D9/736  
D358,761 S \* 5/1995 Ho ..... D9/736  
D397,290 S \* 8/1998 Petricca ..... D9/736  
6,041,926 A \* 3/2000 Petricca ..... A45D 27/225

206/356  
D430,013 S \* 8/2000 Shurtleff ..... D9/425  
D484,409 S \* 12/2003 Haggerty ..... D9/432  
D507,968 S \* 8/2005 Dixon ..... D9/422  
D531,518 S \* 11/2006 Ramm ..... D9/749  
7,413,078 B2 \* 8/2008 Fischer ..... B26B 21/40  
206/354  
D595,125 S \* 6/2009 Doyle ..... D3/298  
D596,047 S \* 7/2009 Wonderley ..... D9/736  
D596,953 S \* 7/2009 Wonderley ..... D3/205  
D620,376 S \* 7/2010 Peyser ..... D9/749  
D630,109 S \* 1/2011 Wonderley ..... D9/748  
D630,526 S \* 1/2011 Wonderley ..... D9/736  
D638,309 S \* 5/2011 Wonderley ..... D9/748  
D643,751 S \* 8/2011 Wonderley ..... D9/736  
D646,586 S \* 10/2011 Nottingham ..... D9/748  
2002/0184770 A1 \* 12/2002 Peyser ..... A45D 27/225  
30/50  
2005/0198825 A1 \* 9/2005 Apprille, Jr. .... A45D 27/225  
30/40.2

\* cited by examiner

*Primary Examiner* — Mark Goodwin

(74) *Attorney, Agent, or Firm* — Leber Patent Law P.C.

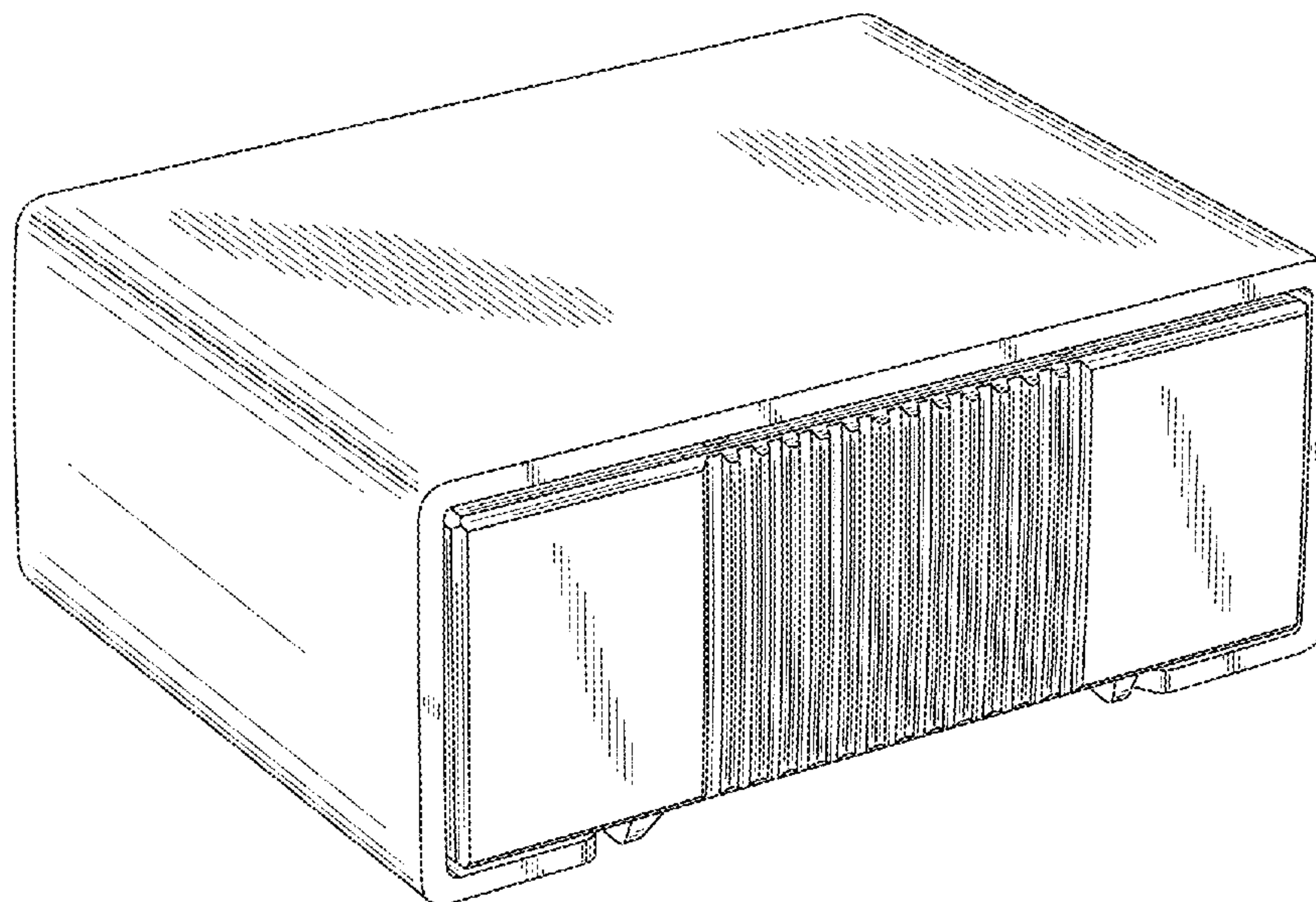
(57) **CLAIM**

The ornamental design for a shaving razor cartridge container, as shown and described.

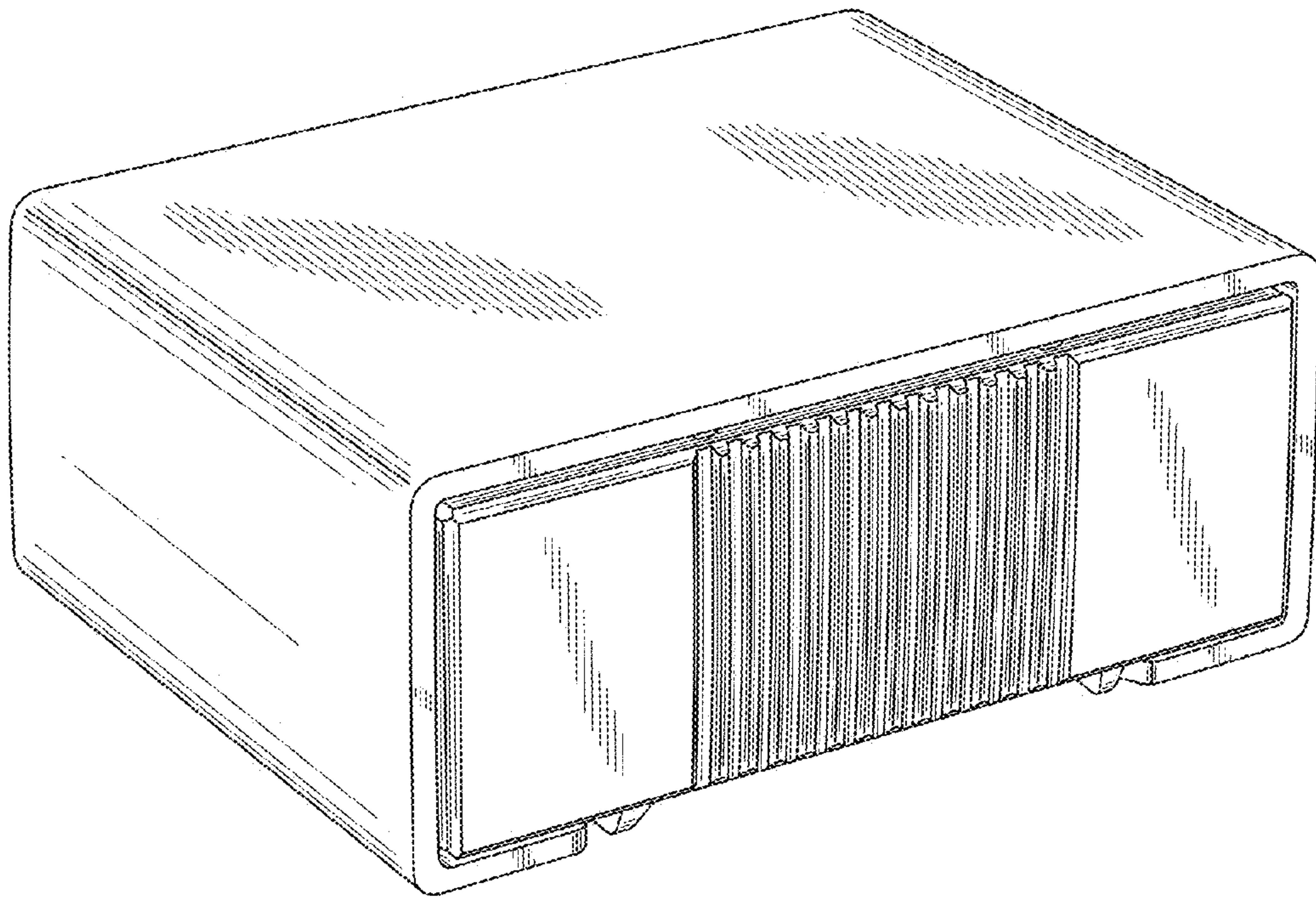
**DESCRIPTION**

FIG. 1 is a top-left, front perspective view of the shaving razor cartridge container;  
FIG. 2 is a top plan view thereof;  
FIG. 3 is a front plan view thereof (the rear plan view is a mirror image and thus is omitted);  
FIG. 4 is a bottom plan view thereof; and,  
FIG. 5 is a left side elevational view thereof (the right side elevational view is a mirror image and thus is omitted).

**1 Claim, 4 Drawing Sheets**

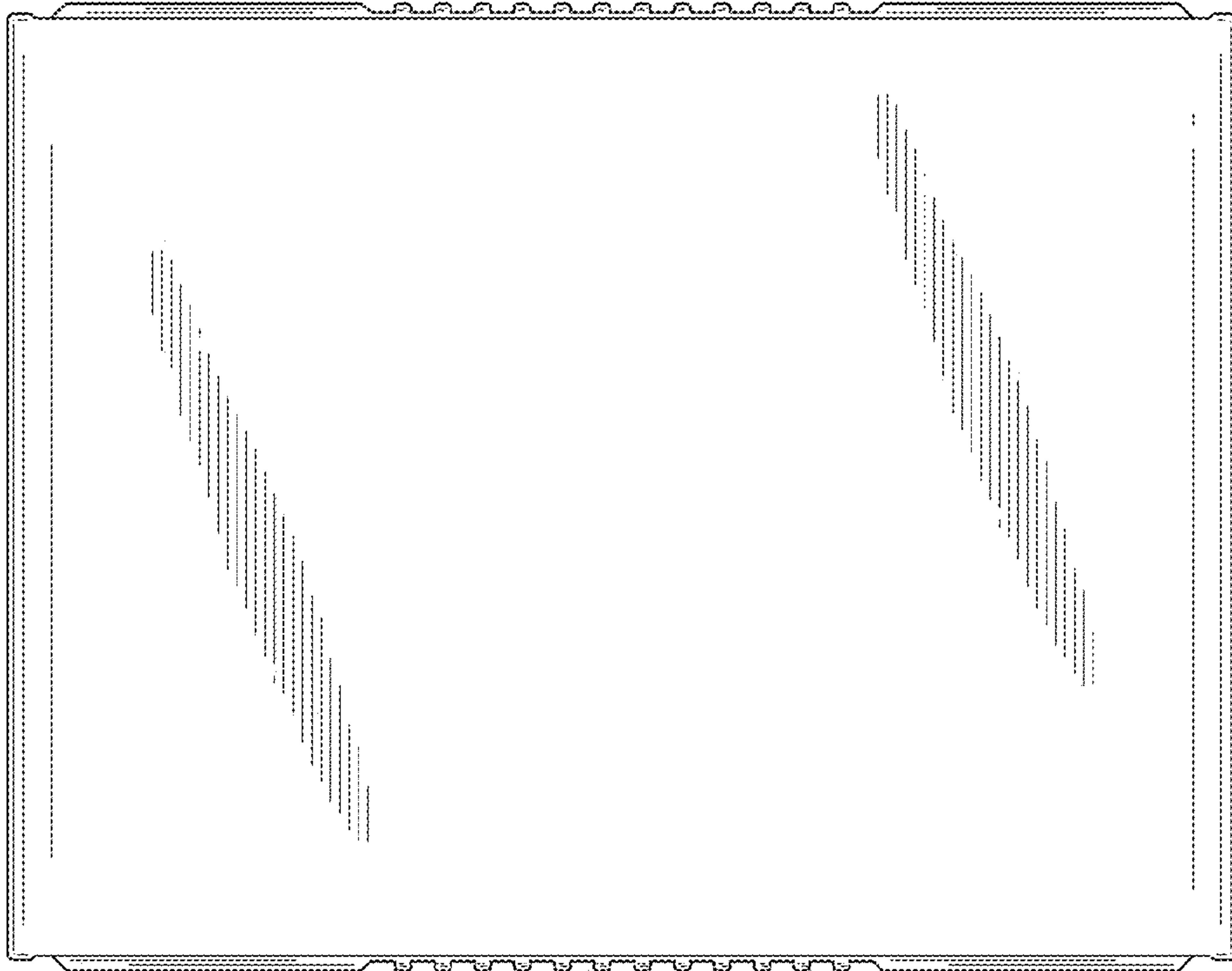


**FIG. 1**

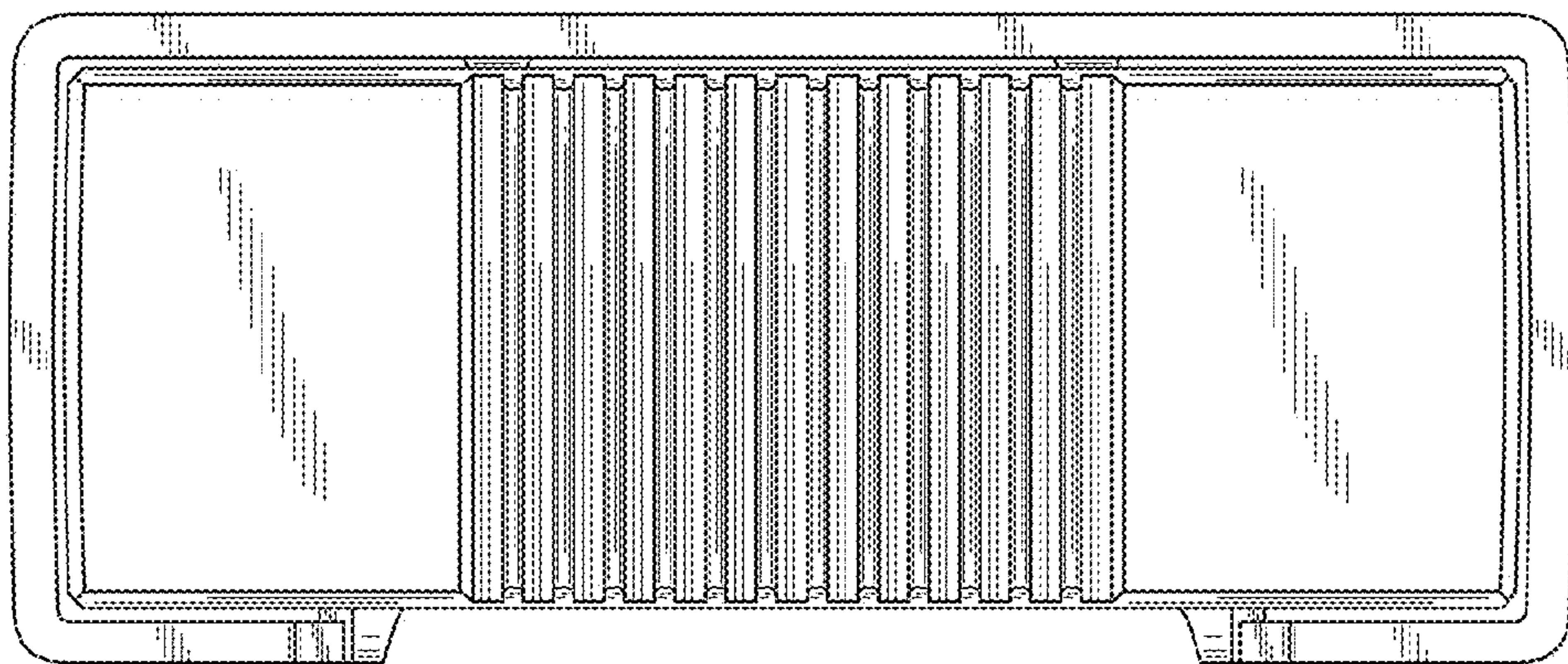




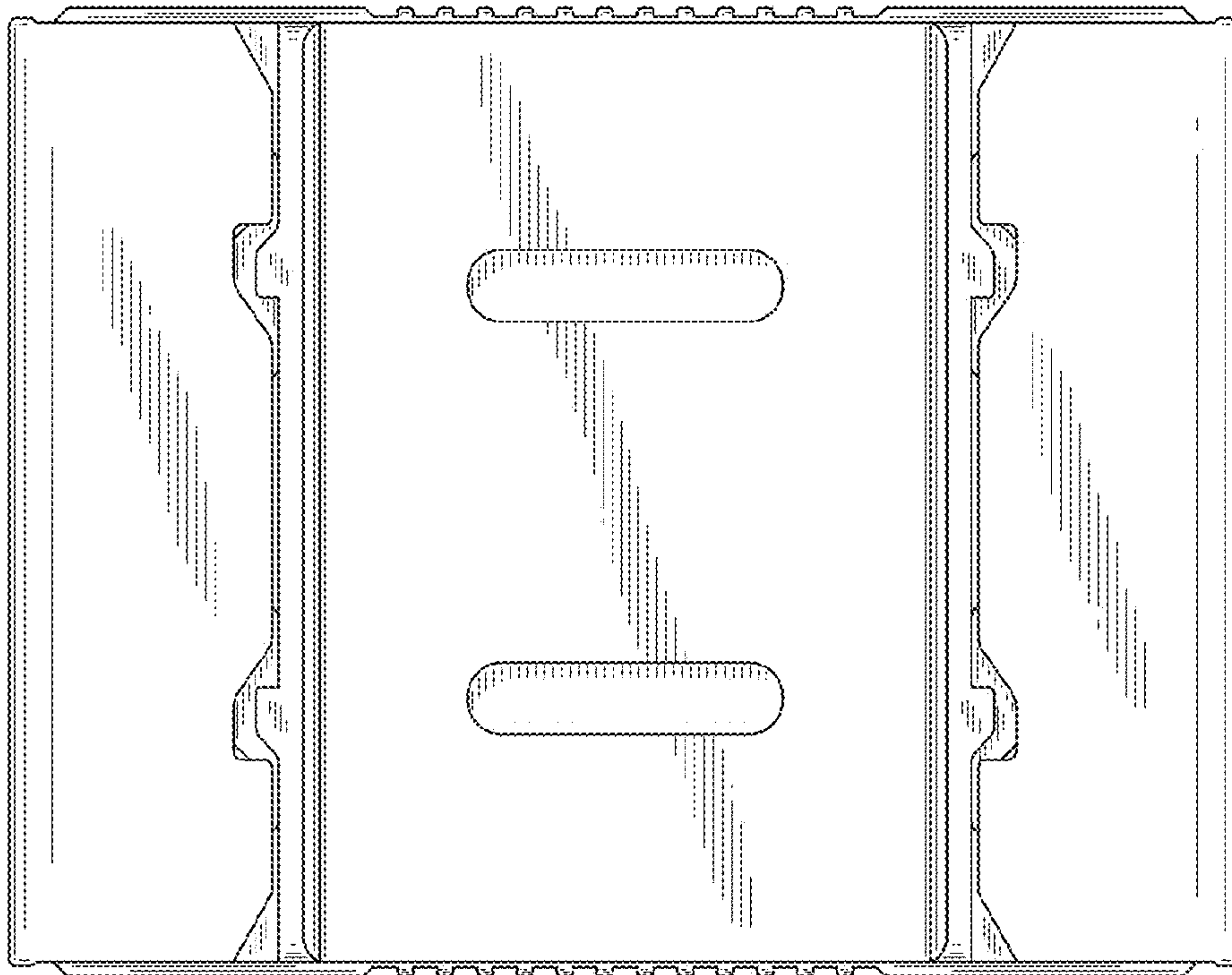
**FIG. 2**



**FIG. 3**



**FIG. 4**



**FIG. 5**

