



US00D745827S

(12) **United States Design Patent**
Sorensen et al.

(10) **Patent No.:** **US D745,827 S**
(45) **Date of Patent:** **** Dec. 22, 2015**

(54) **LID**

(71) Applicant: **Runway Blue, LLC**, Pleasant Grove, UT (US)

(72) Inventors: **Steven M. Sorensen**, Alpine, UT (US);
Kim L. Sorensen, Alpine, UT (US);
David O. Meyers, Kaysville, UT (US)

(73) Assignee: **RUNWAY BLUE, LLC**, Lehi, UT (US)

(**) Term: **14 Years**

(21) Appl. No.: **29/479,737**

(22) Filed: **Jan. 19, 2014**

(51) **LOC (10) Cl.** **09-07**

(52) **U.S. Cl.**
USPC **D9/450; D7/392.1**

(58) **Field of Classification Search**
USPC D9/434, 435, 436, 440, 447, 449, 454,
D9/499; D7/392.1, 396.2; 206/501;
220/254, 254.5
CPC B65D 21/0228; B65D 45/025; B65D
47/0895; B65D 51/04
See application file for complete search history.

(56) **References Cited**

U.S. PATENT DOCUMENTS

2,573,378 A 10/1951 Zurlinden
3,770,160 A 11/1973 Flider
4,948,009 A 8/1990 Sawatani

5,318,203 A 6/1994 Iaia et al.
7,124,917 B2 10/2006 Lee

(Continued)

OTHER PUBLICATIONS

U.S. Appl. No. 29/457,096, filed Jun. 6, 2013, Sorensen, et al.
(Continued)

Primary Examiner — Robert M Spear

(74) *Attorney, Agent, or Firm* — Maschoff Brennan

(57) **CLAIM**

The ornamental design for a lid, as shown and described.

DESCRIPTION

FIG. 1 is a upper perspective view of a lid, illustrating the lid in a closed position;

FIG. 2 is a front view of the lid shown in FIG. 1;

FIG. 3 is a rear view of the lid shown in FIG. 1;

FIG. 4 is a right side view of the lid shown in FIG. 1;

FIG. 5 is a left side view of the lid shown in FIG. 1;

FIG. 6 is a top view of the lid shown in FIG. 1;

FIG. 7 is a bottom view of the lid shown in FIG. 1;

FIG. 8 is another upper perspective view of the lid, illustrating the lid in an open position;

FIG. 9 is a front view of the lid shown in FIG. 8;

FIG. 10 is a rear view of the lid shown in FIG. 8;

FIG. 11 is a right side view of the lid shown in FIG. 8;

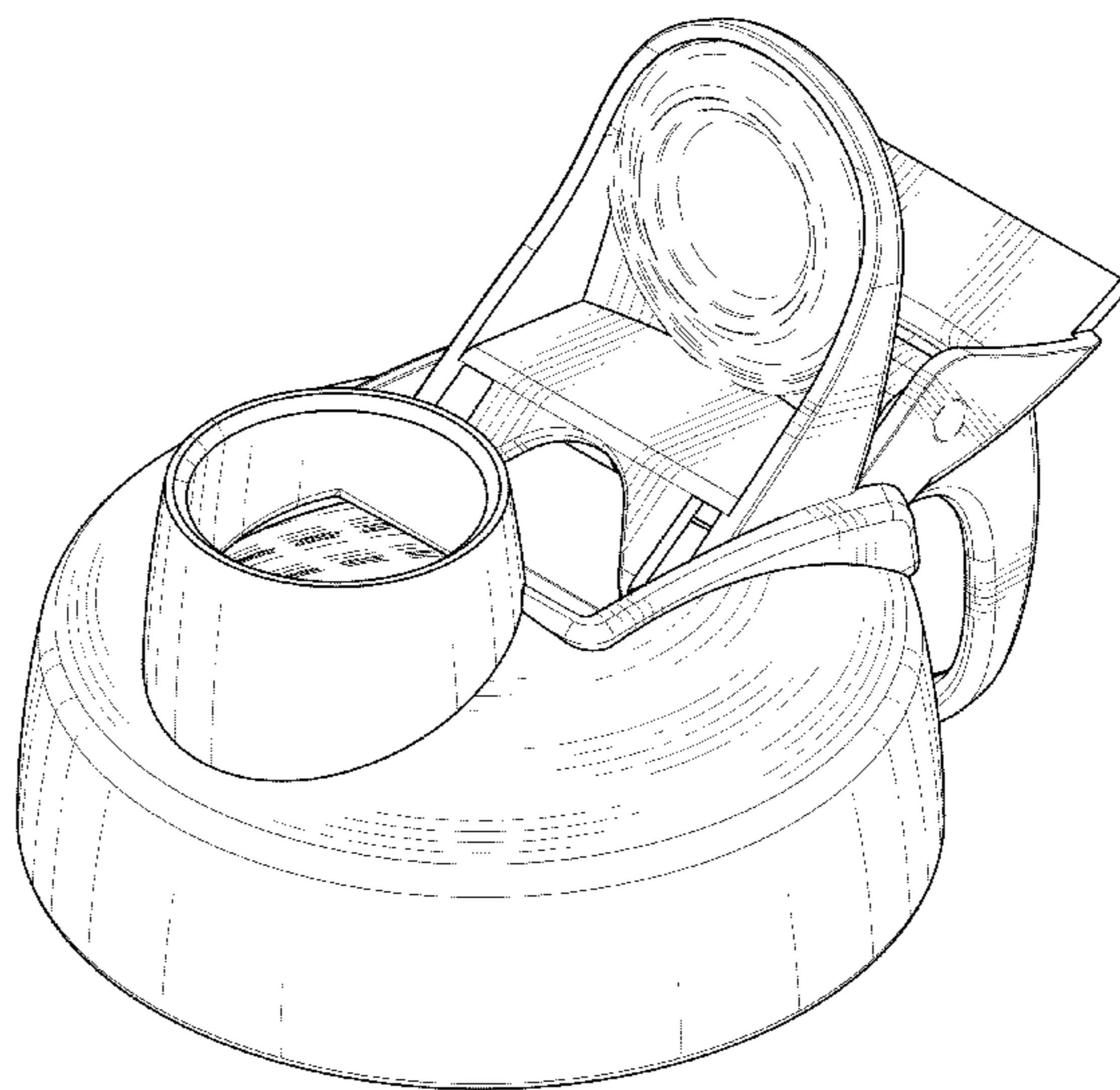
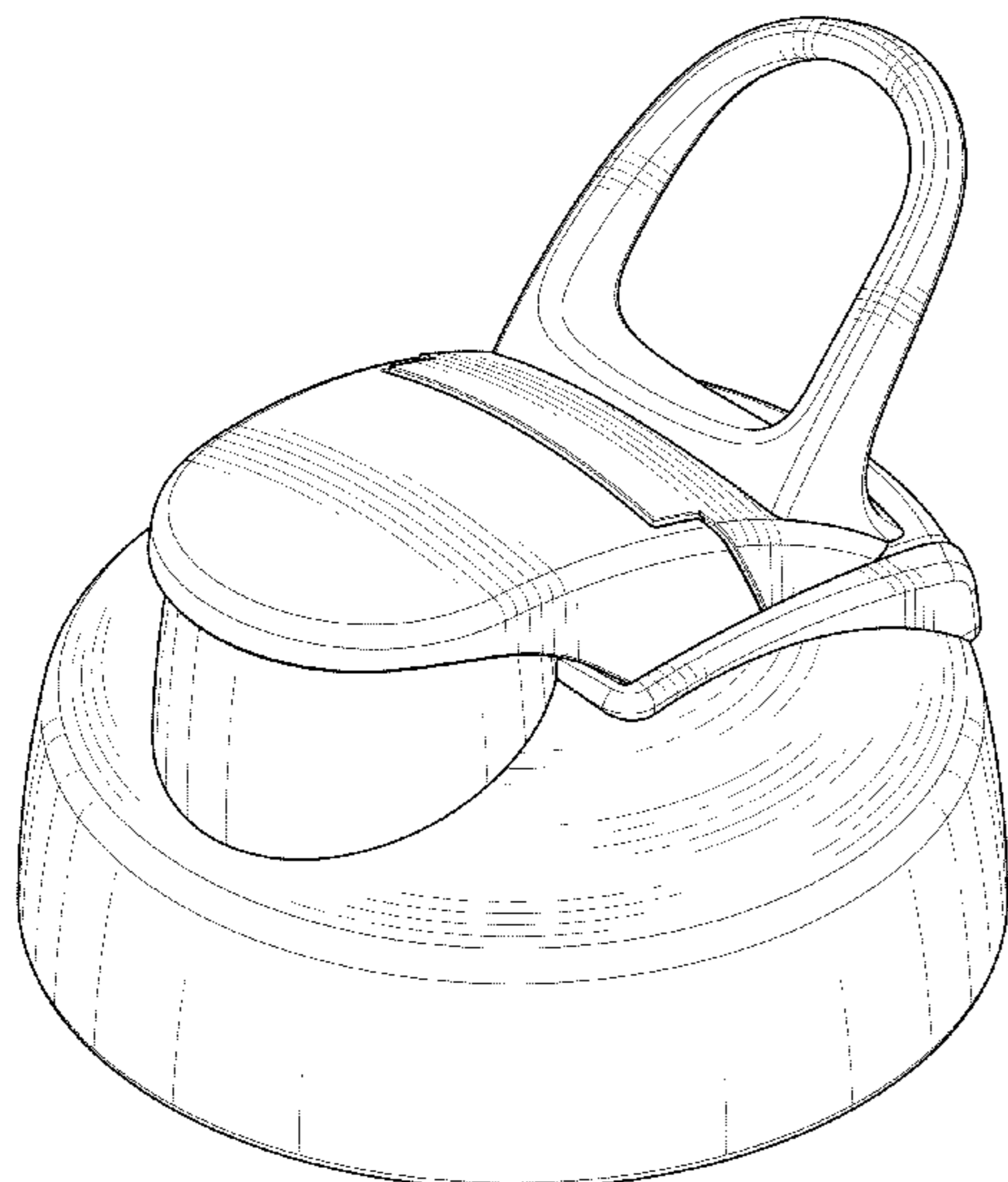
FIG. 12 is a left side view of the lid shown in FIG. 8;

FIG. 13 is a top view of the lid shown in FIG. 8; and,

FIG. 14 is a bottom view of the lid shown in FIG. 8.

In the drawings, the broken lines depict environmental subject matter only and form no part of the claimed design.

1 Claim, 14 Drawing Sheets



(56)

References Cited

U.S. PATENT DOCUMENTS

D626,837	S	11/2010	Meyers et al.	
D626,838	S	11/2010	Meyers et al.	
D628,483	S *	12/2010	McKinney et al.	D9/449
D634,972	S *	3/2011	Staton	D7/392.1
8,146,770	B2	4/2012	Newman	
D676,320	S *	2/2013	Richards et al.	D9/449
D677,121	S	3/2013	Meyers et al.	
D682,016	S *	5/2013	Knight	D7/392.1
D696,551	S	12/2013	Meyers et al.	
8,695,830	B2 *	4/2014	Meyers et al.	220/254.3
8,833,586	B2 *	9/2014	Meyers et al.	220/254.3
8,844,746	B2 *	9/2014	Meyers et al.	220/264
8,960,506	B2 *	2/2015	Beilke et al.	222/556
2002/0179604	A1	12/2002	Germain et al.	
2003/0052126	A1	3/2003	Zettle et al.	
2008/0099514	A1	5/2008	Carter	
2011/0017760	A1	1/2011	Newman	
2012/0055818	A1	3/2012	Zimmern	
2013/0062304	A1 *	3/2013	Meyers et al.	215/240
2014/0091086	A1 *	4/2014	Sorensen et al.	220/4.27

OTHER PUBLICATIONS

U.S. Appl. No. 29/479,736, filed Jan. 19, 2014, Sorensen, et al.
 U.S. Appl. No. 61/929,081, filed Jan. 19, 2014, Sorensen, et al.
 U.S. Appl. No. 29/497,736, filed Jan. 19, 2014, Sorensen, et al.
 U.S. Appl. No. 29/497,737, filed Jan. 19, 2014, Sorensen, et al.
 U.S. Appl. No. 61/944,536, filed Feb. 25, 2014, Sorensen, et al.
 U.S. Appl. No. 62/004,673, filed May 29, 2014, Sorensen, et al.
 U.S. Appl. No. 14/598,075, filed Jan. 15, 2015, Sorensen, et al.
 U.S. Appl. No. 14/598,087, filed Jan. 15, 2015, Sorensen, et al.
 U.S. Appl. No. 14/598,090, filed Jan. 15, 2015, Sorensen, et al.
 International Search Report and Written Opinion from PCT Application No. PCT/US2015/01175 dated May 4, 2015.
 International Search Report and Written Opinion from PCT Application No. PCT/US2015/011777 dated May 8, 2015.
 International Search Report and Written Opinion from PCT Application No. PCT/US2015/011780 dated May 11, 2015.
 Office Action from U.S. Appl. No. 29/497,736 dated Jun. 4, 2015.

* cited by examiner

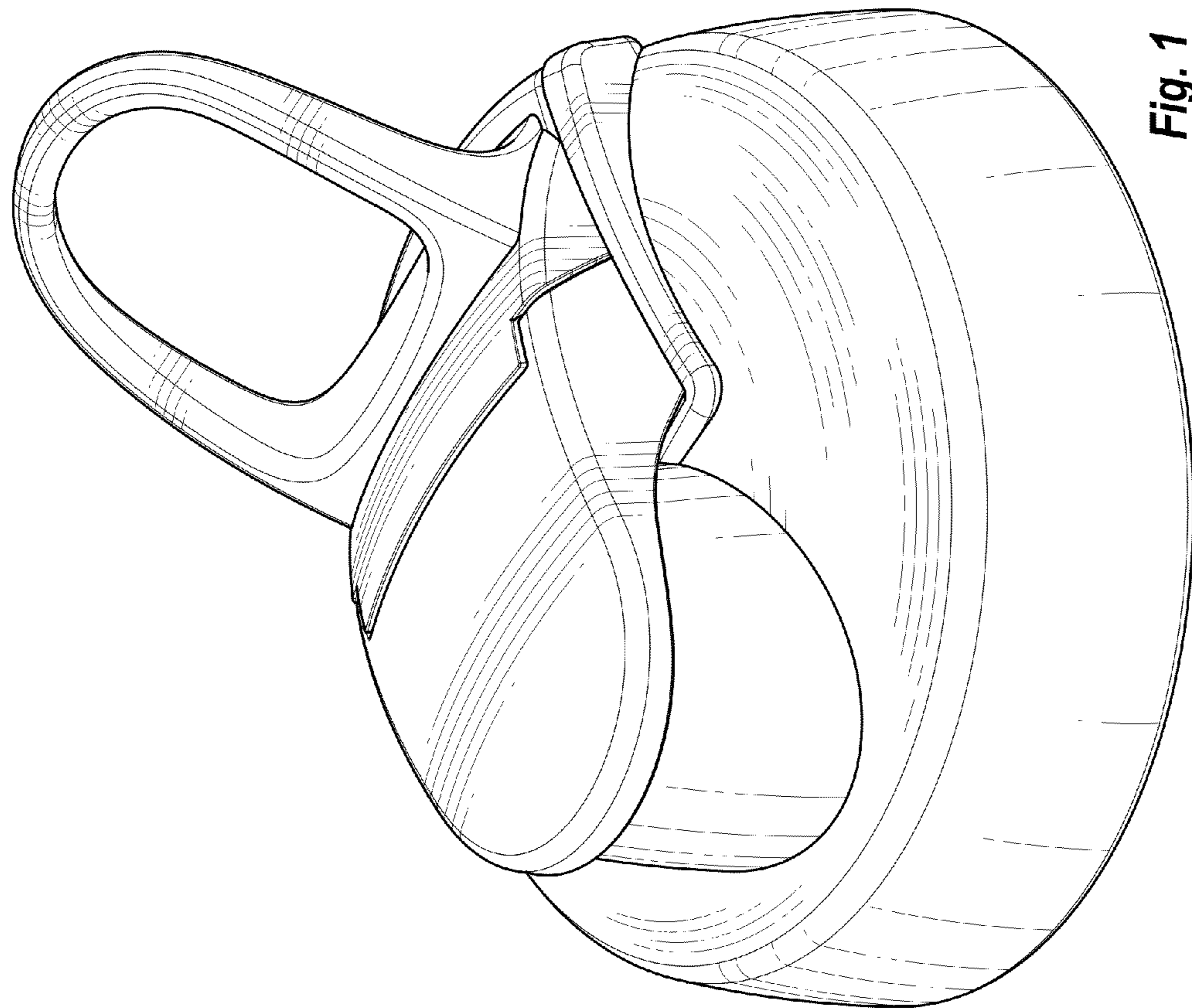


Fig. 1

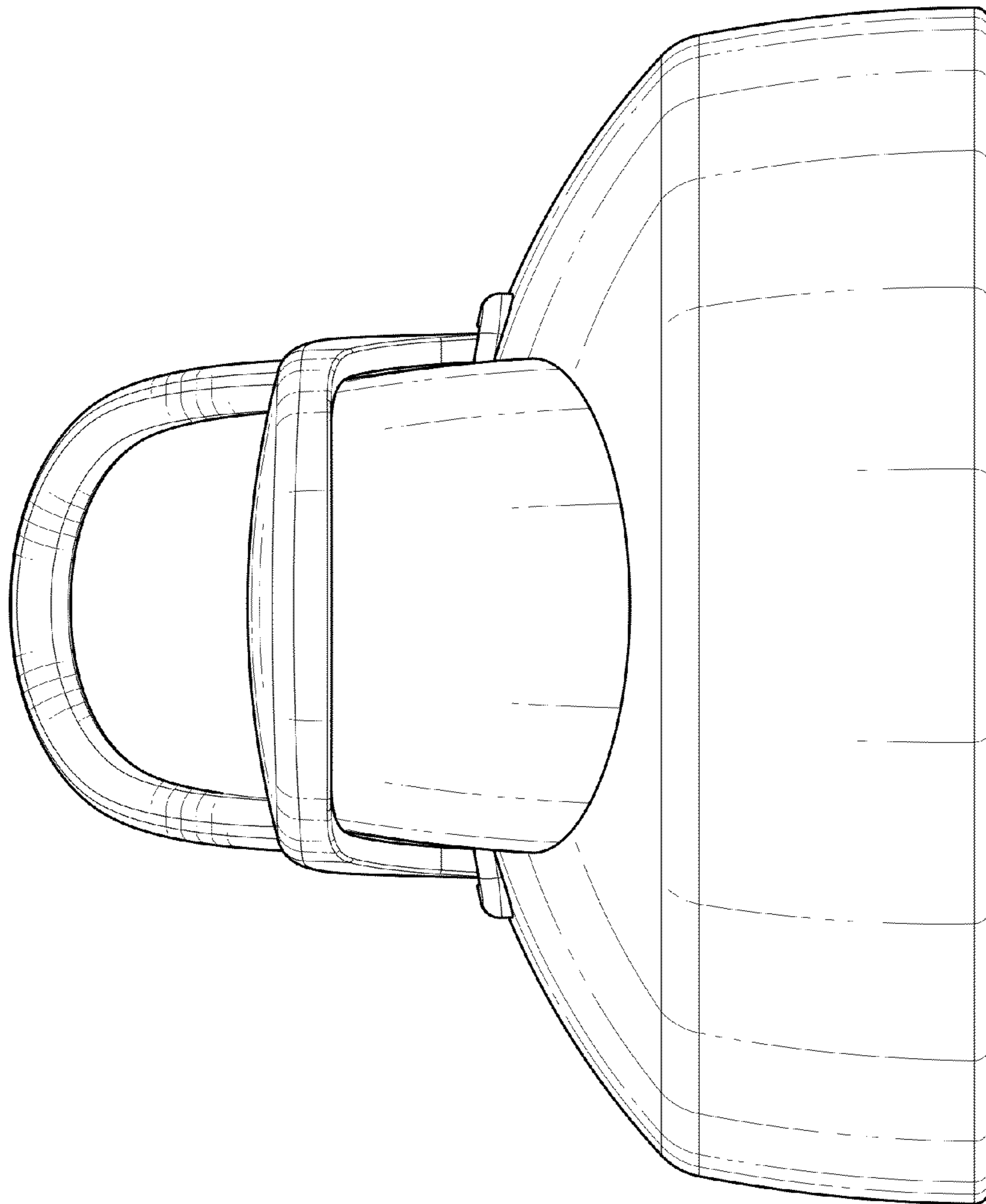


Fig. 2

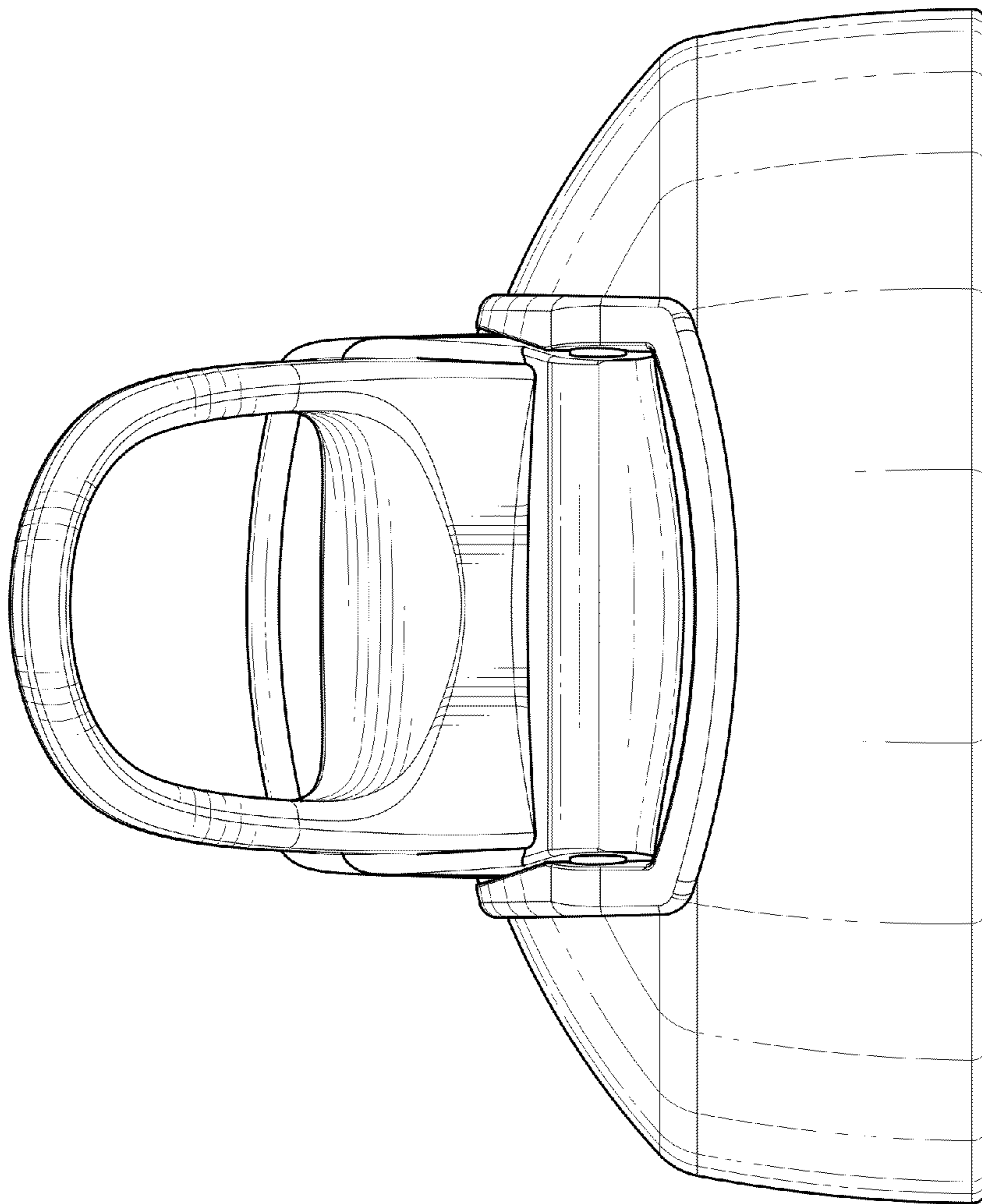


Fig. 3

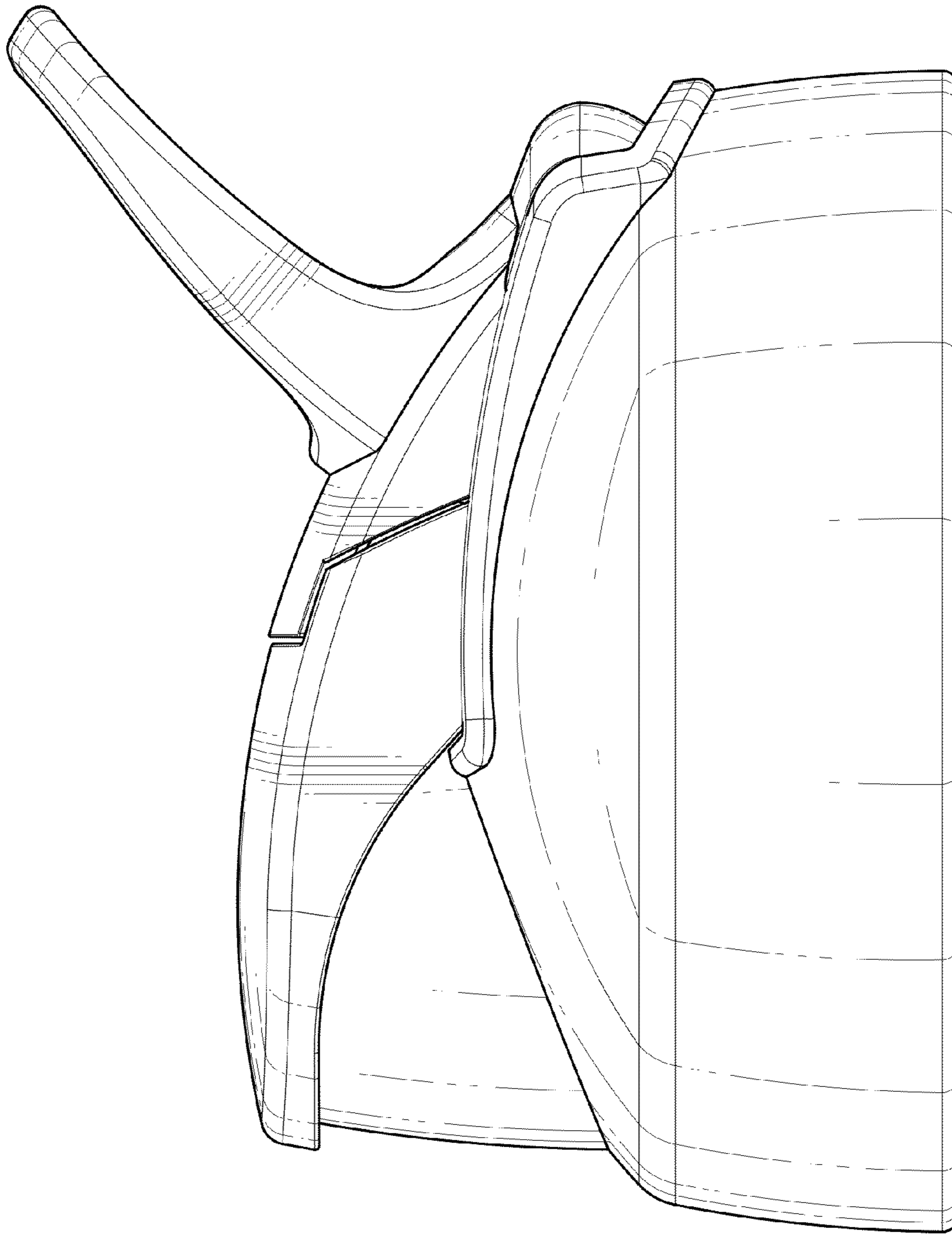


Fig. 4

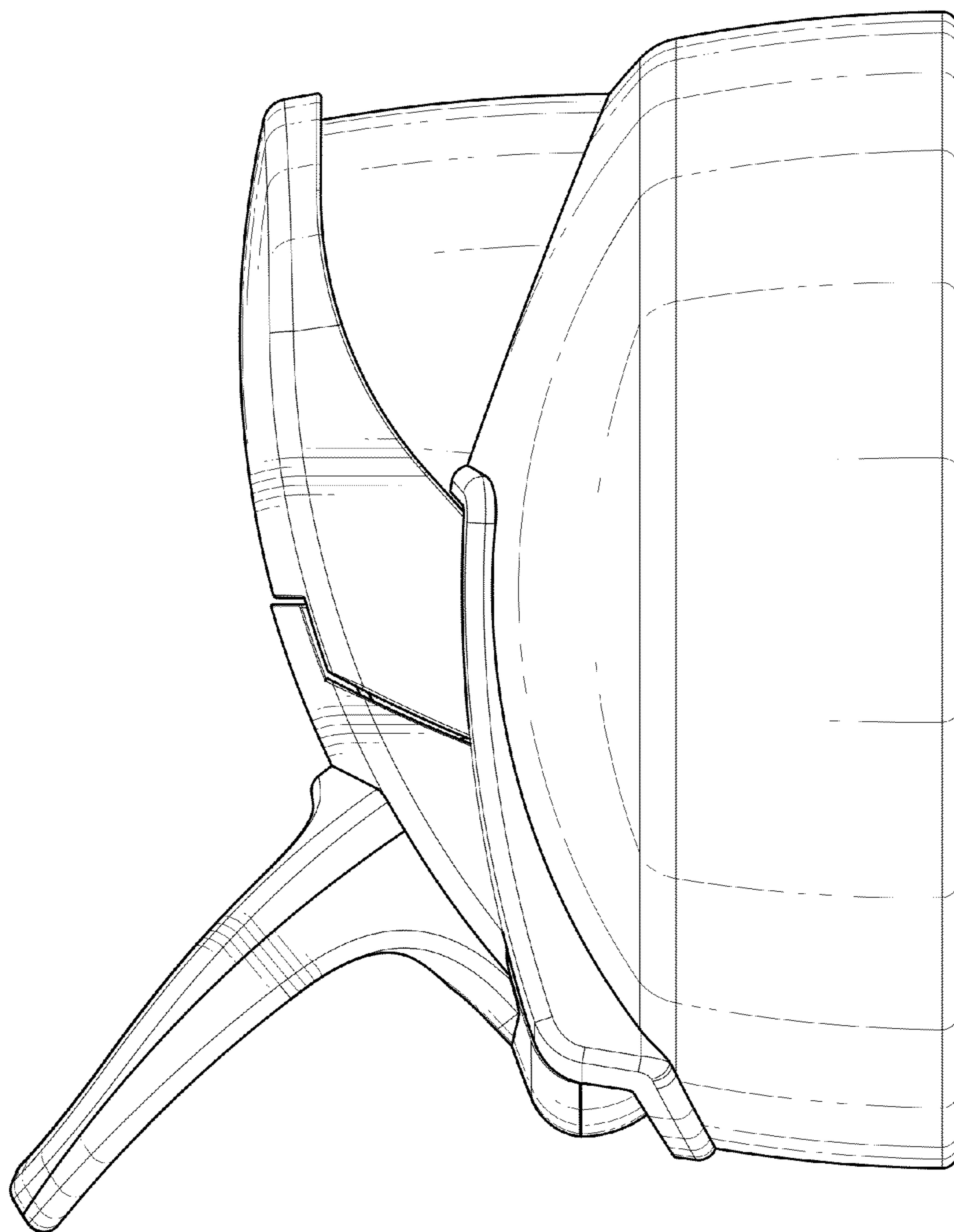


Fig. 5

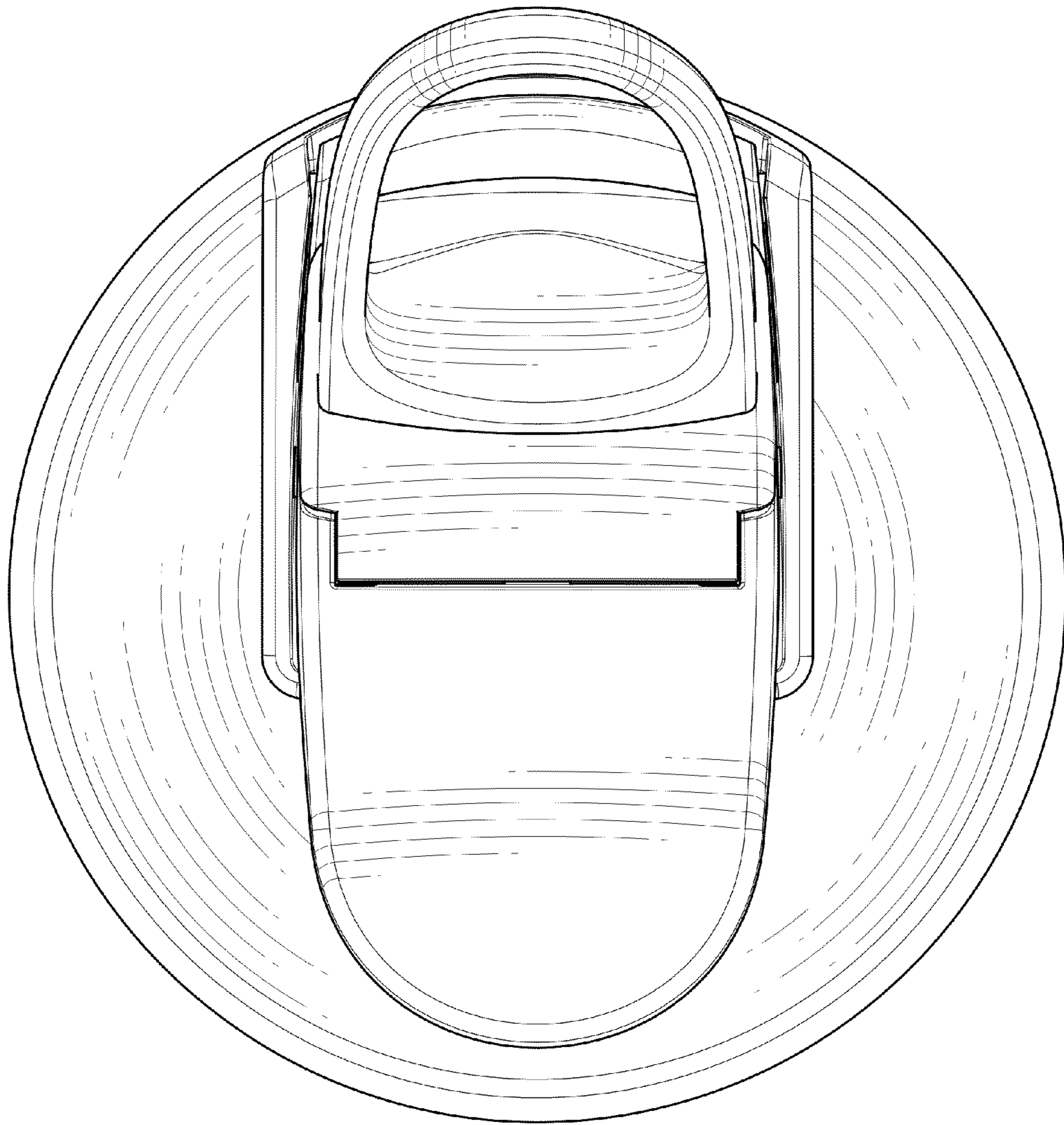


Fig. 6

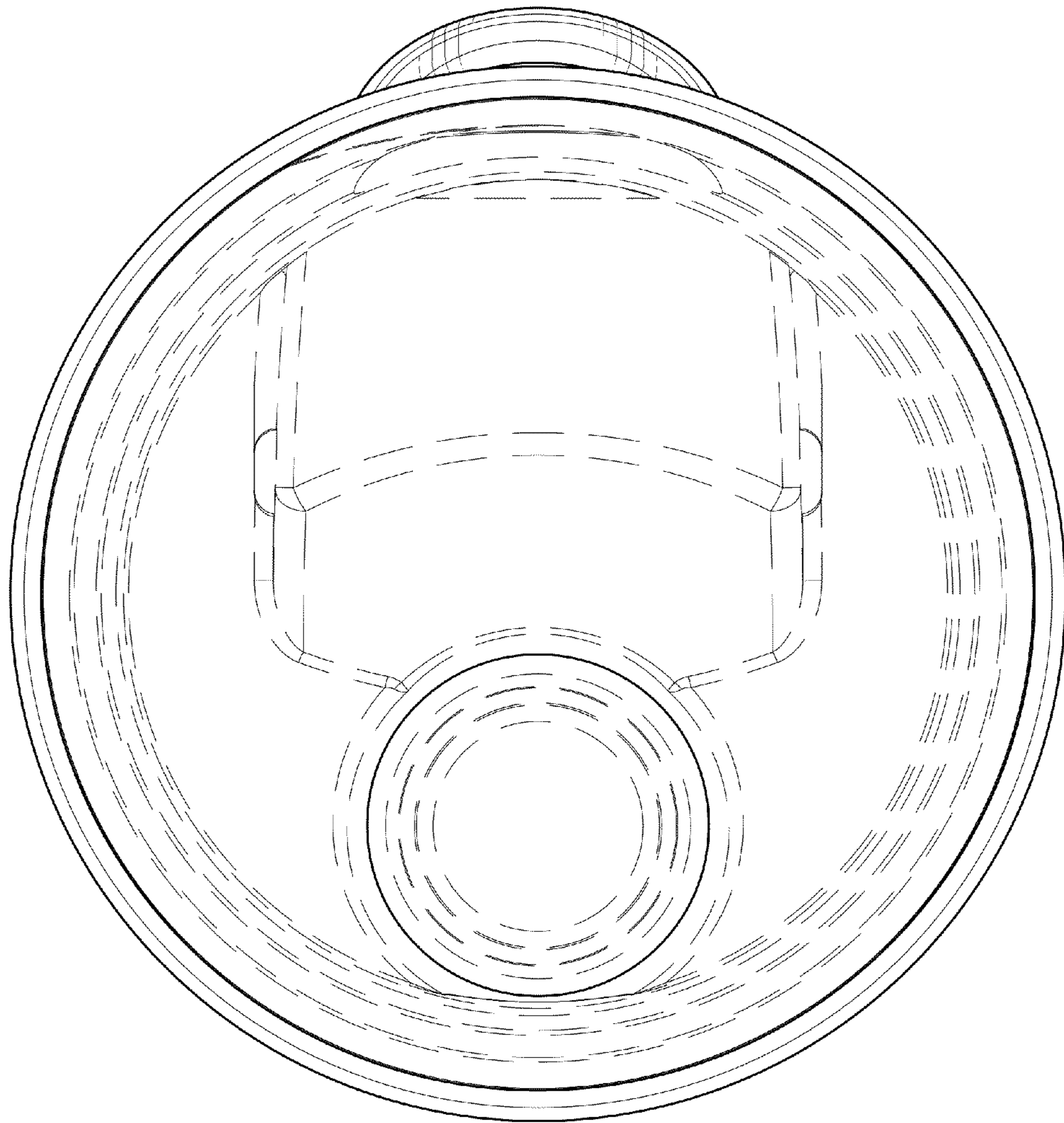


Fig. 7

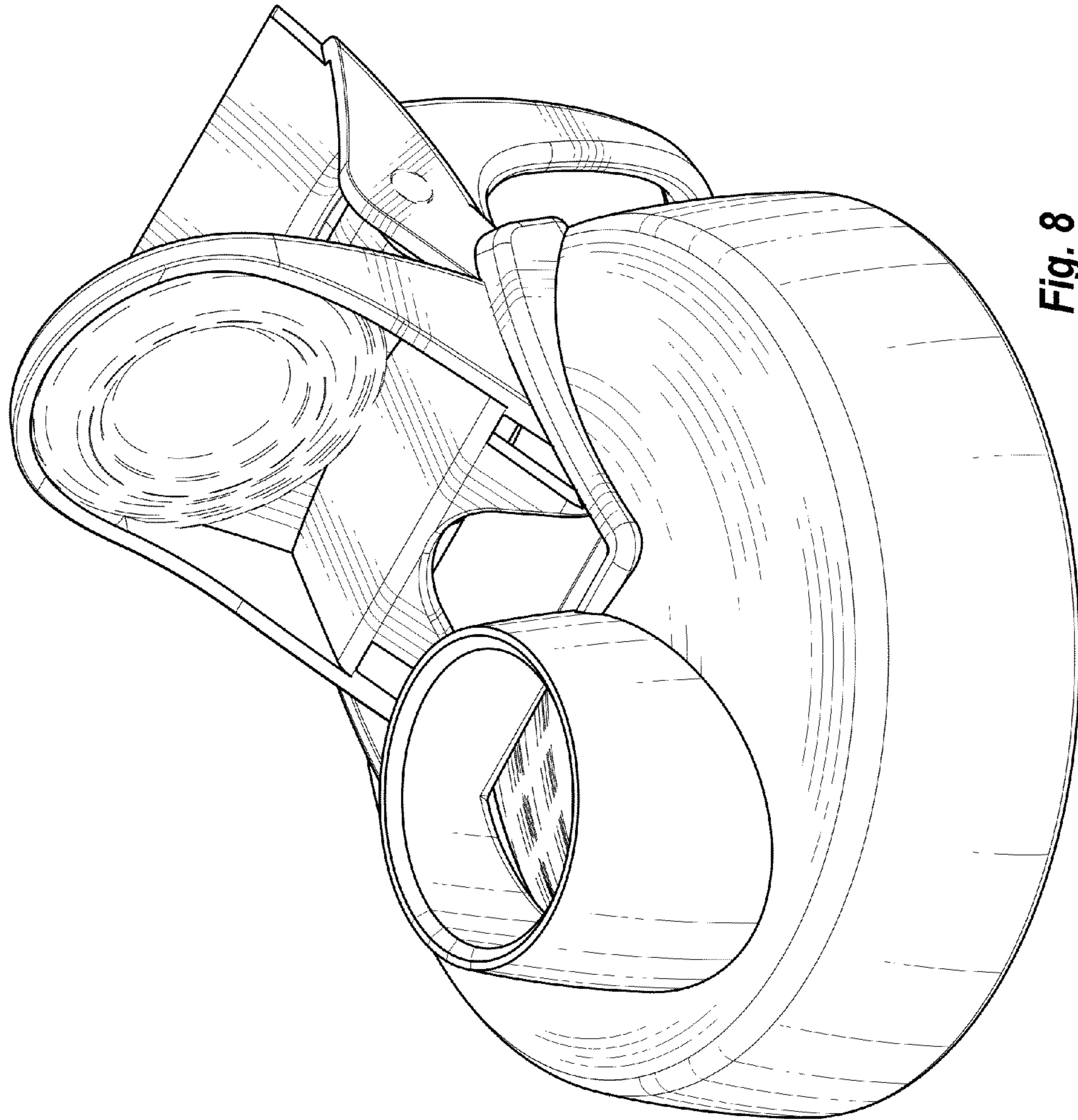


Fig. 8

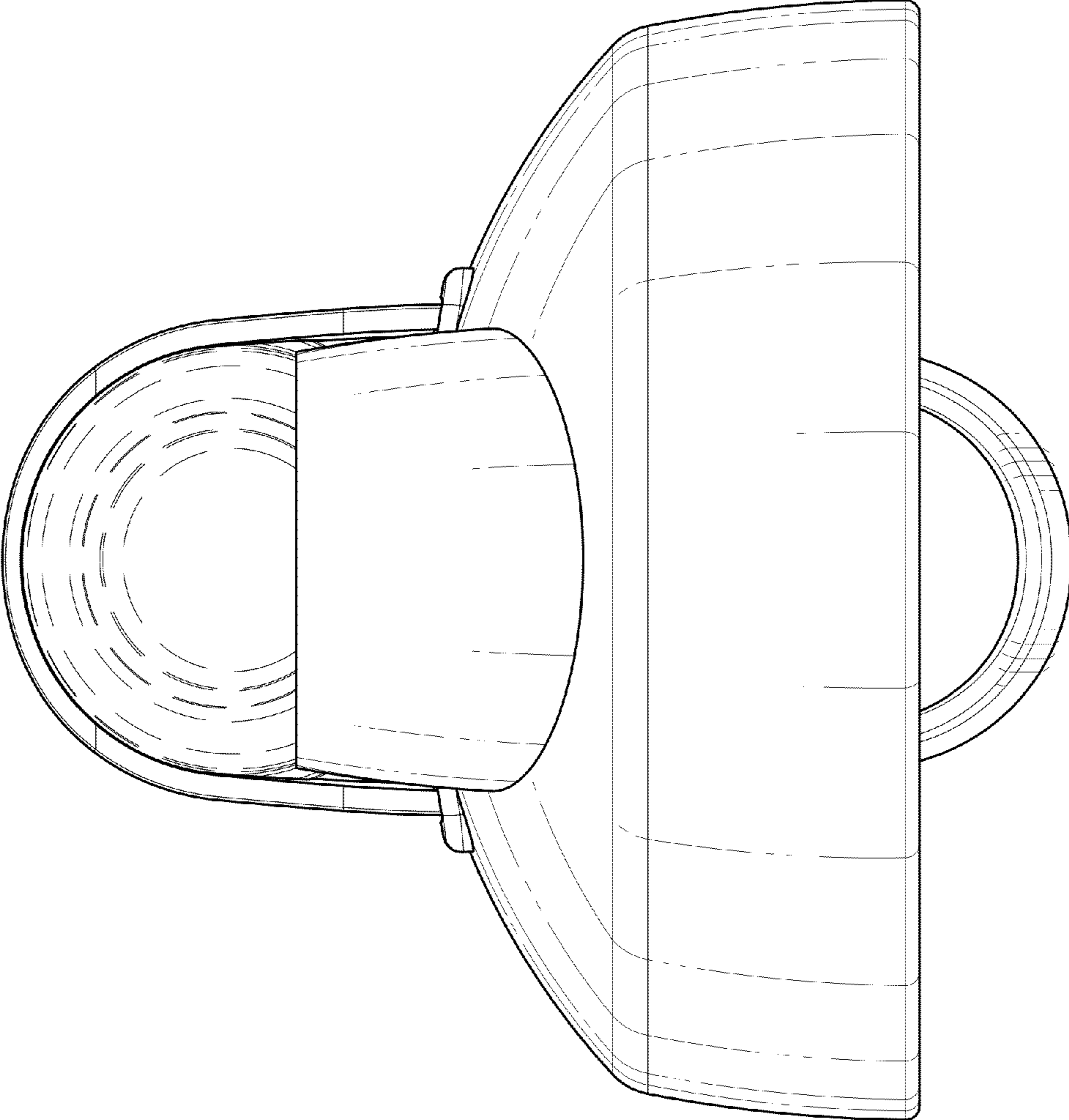


Fig. 9

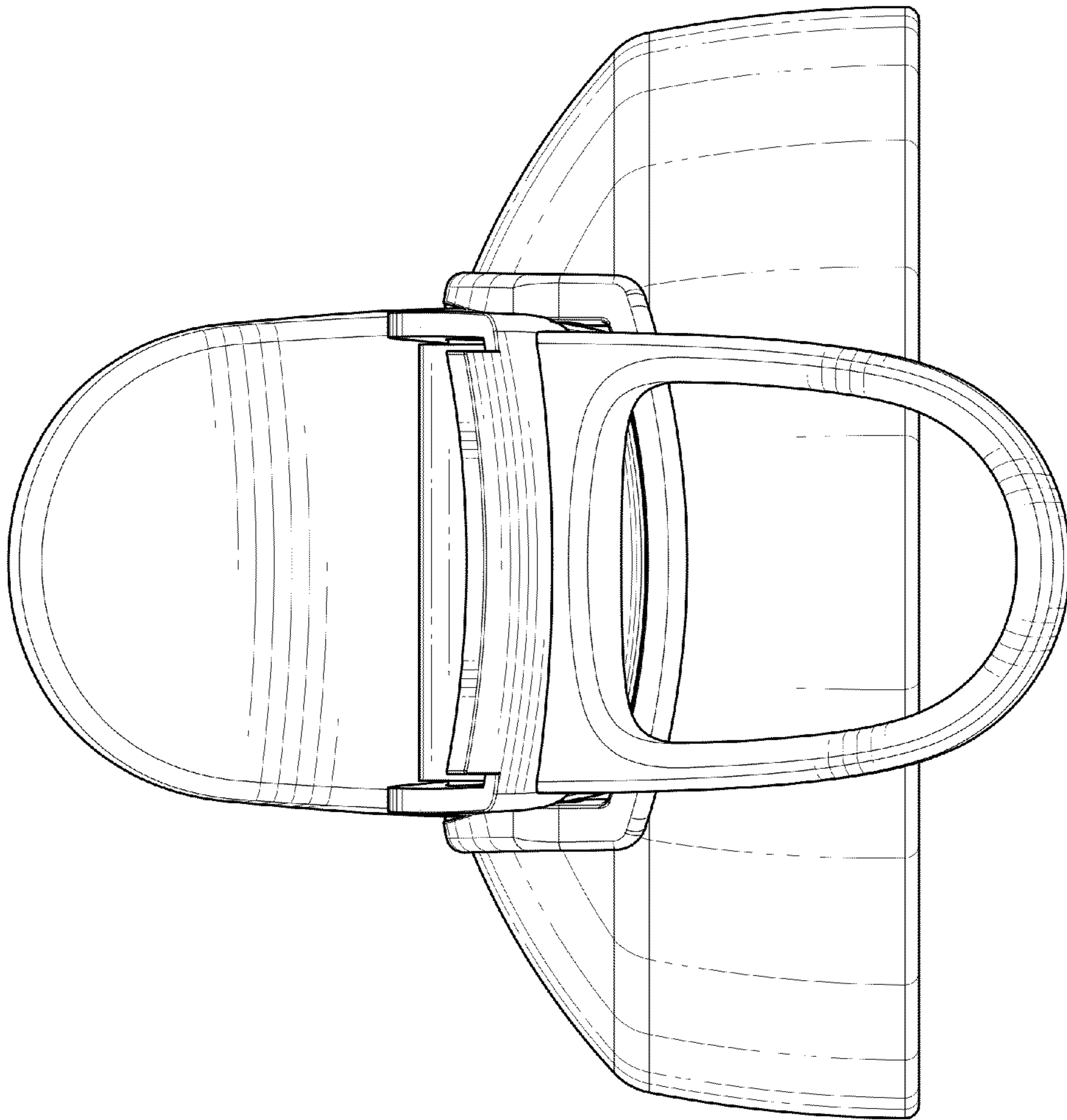


Fig. 10

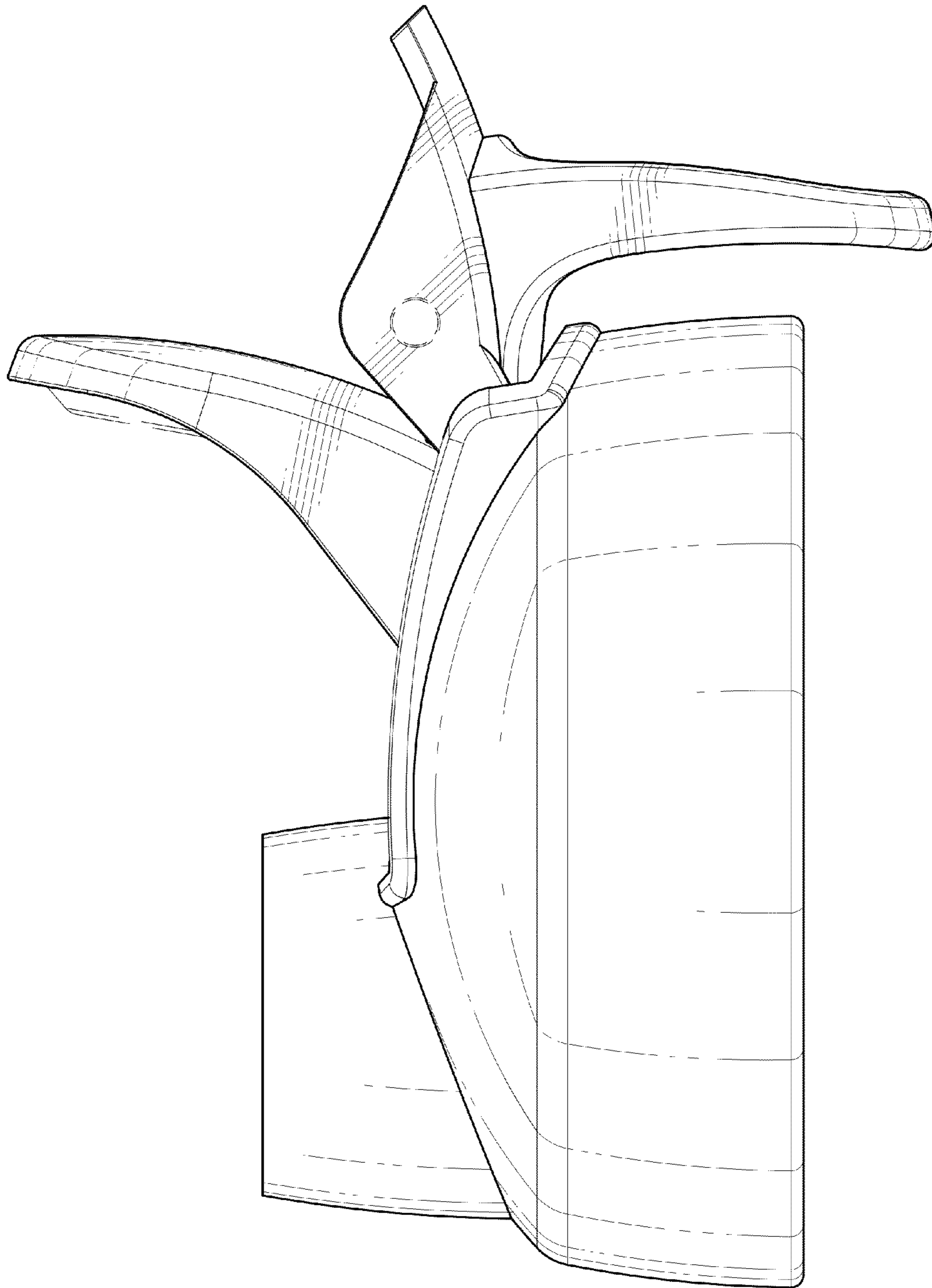


Fig. 11

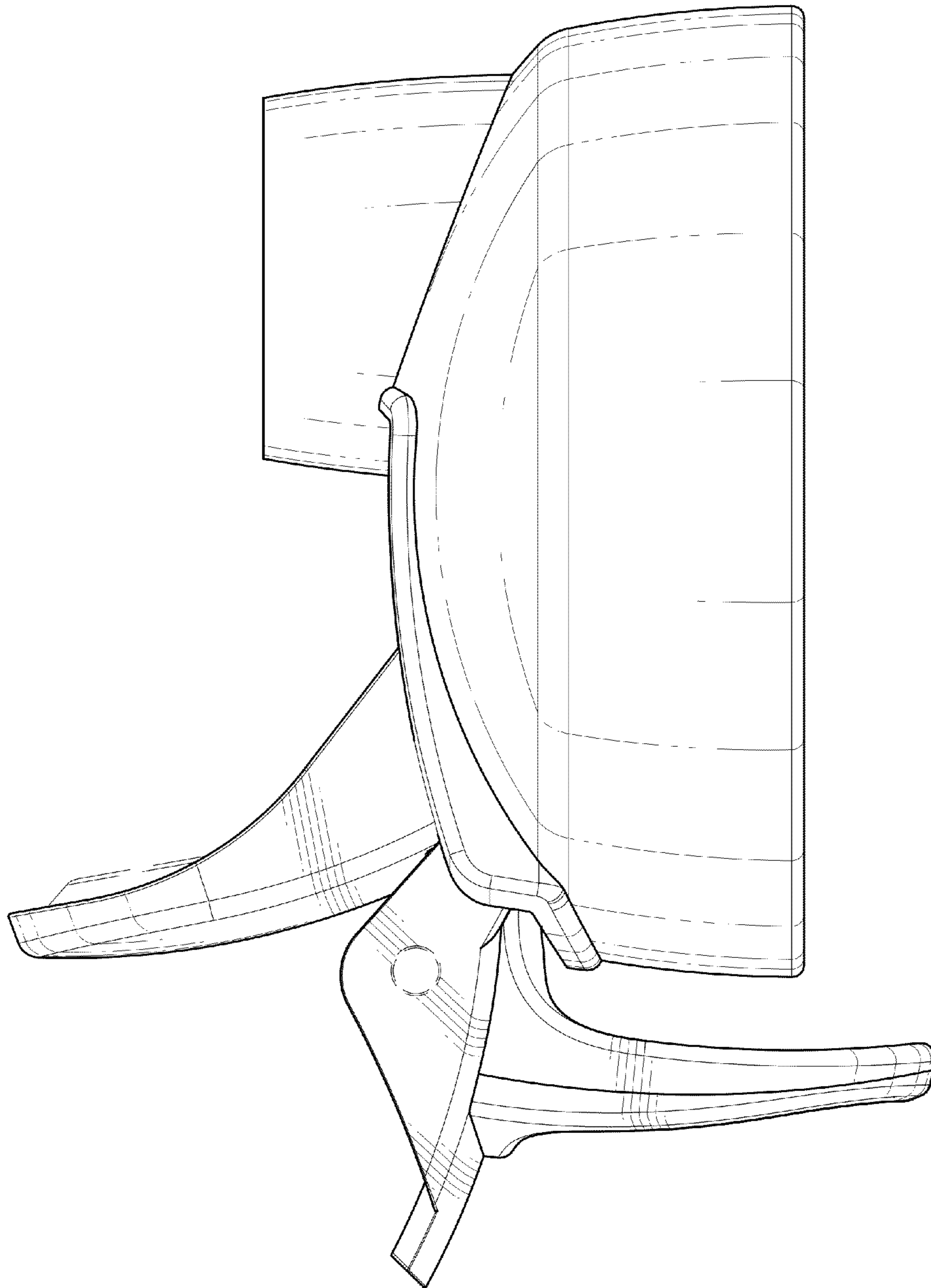


Fig. 12

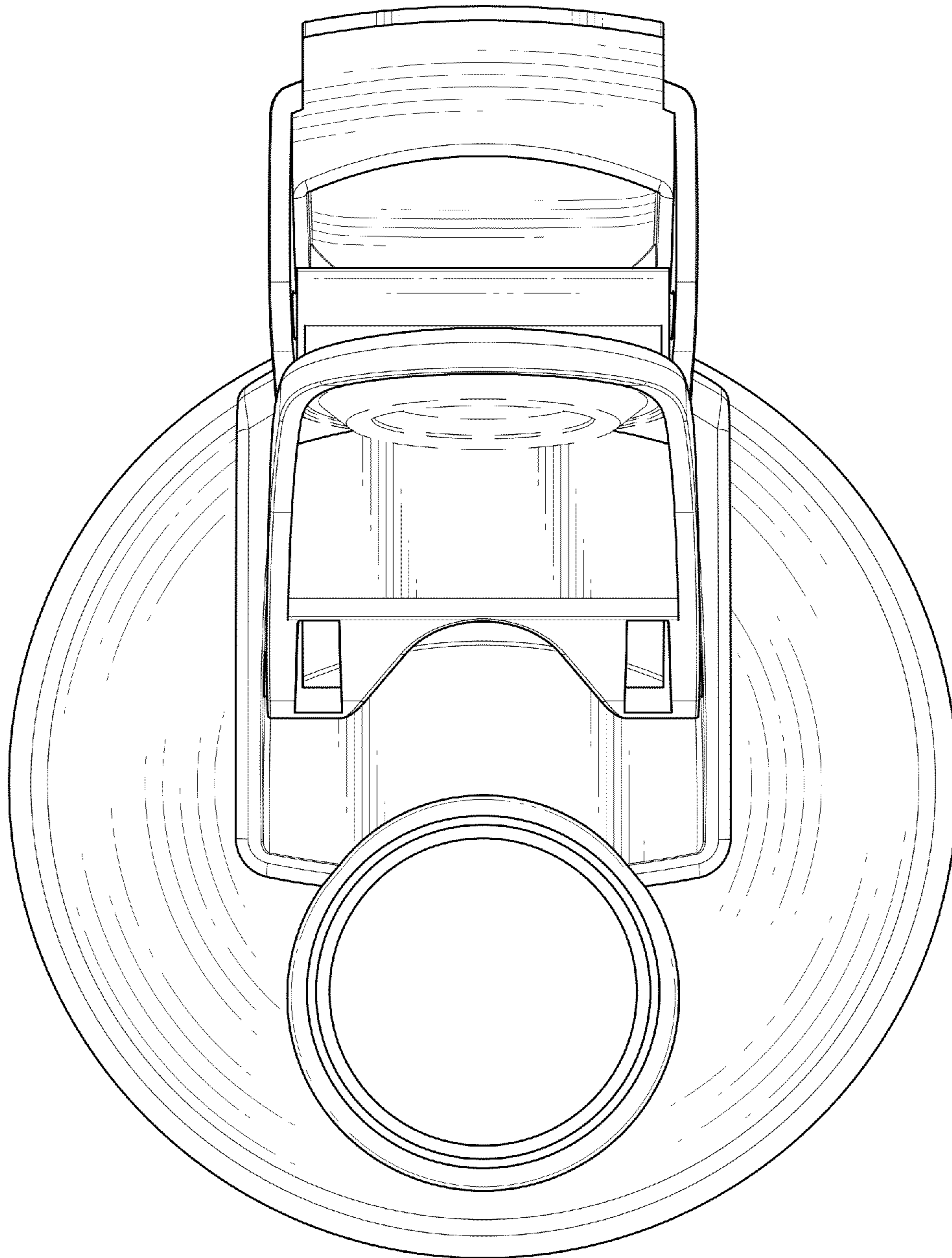


Fig. 13

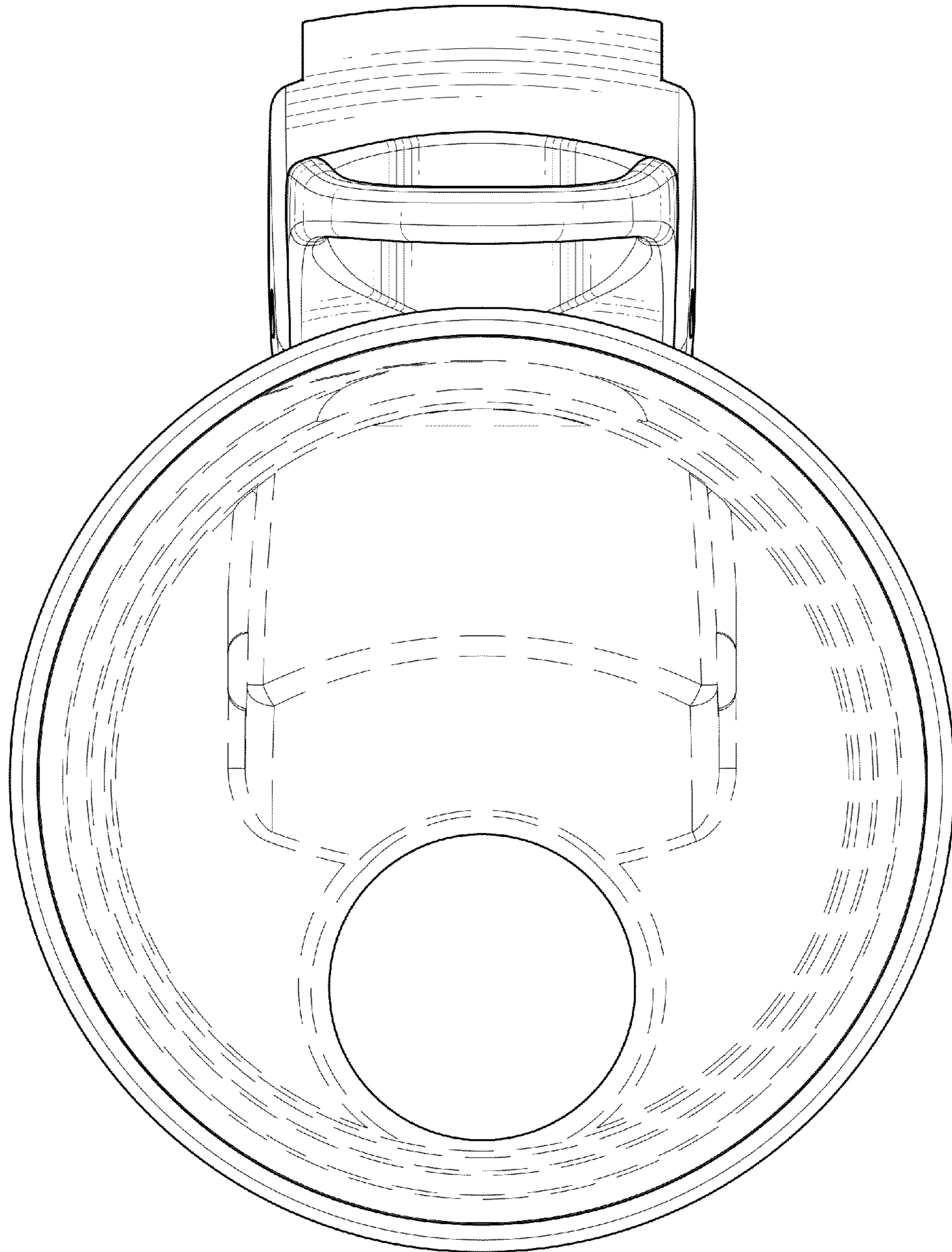


Fig. 14