



US00D745826S

(12) **United States Design Patent**
De Tavares Duarte Nogueira

(10) **Patent No.:** **US D745,826 S**

(45) **Date of Patent:** **** Dec. 22, 2015**

(54) **LID FOR CONTAINERS**

(71) Applicant: **The Procter & Gamble Company,**
Cincinnati, OH (US)

(72) Inventor: **Francisco Miguel De Tavares Duarte**
Nogueira, Dendermonde (BE)

(73) Assignee: **The Procter & Gamble Company,**
Cincinnati, OH (US)

(**) Term: **14 Years**

(21) Appl. No.: **29/471,238**

(22) Filed: **Oct. 30, 2013**

(30) **Foreign Application Priority Data**

Apr. 30, 2013 (WO) 739401801

(51) **LOC (10) Cl.** **09-07**

(52) **U.S. Cl.**
USPC **D9/443**

(58) **Field of Classification Search**
USPC D3/294, 302, 318; D6/512, 515-523;
D7/601, 602, 629; D9/434-436, 443,
D9/449, 454, 456, 499, 502-504, 715, 717,
D9/718, 730, 734; 206/711, 804, 812;
211/13.1, 48, 49.1; 220/200, 286, 662,
220/675, 740, 780-799, 802, 839; 221/22,
221/33, 45, 186, 286; 222/424.5; 312/34.1,
312/34.4; 383/66
CPC B65D 2543/00083; B65D 2543/00296
See application file for complete search history.

(56) **References Cited**

U.S. PATENT DOCUMENTS

D358,328 S * 5/1995 Huerto et al. D9/435
D435,969 S * 1/2001 Sonntag D3/318
D530,204 S * 10/2006 Zaidman D9/449
D587,587 S * 3/2009 Schwartz et al. D9/529

D612,722 S * 3/2010 Bougoulas et al. D9/435
D637,912 S * 5/2011 Van Den Wouwer et al. . D9/529
D644,102 S * 8/2011 Kopulos et al. D9/434

(Continued)

OTHER PUBLICATIONS

Slate's Design Blog. Can Better Design Keep Kids from Eating Detergent Pods? Oct. 1, 2013 [online], [site visited Jan. 8, 2015]. Available from Internet, <URL:http://www.slate.com/blogs/the_eye/2013/10/01/design_fail_laundry_detergent_pods_that_masquerade_as_candy.html>.*

(Continued)

Primary Examiner — Robert M Spear
Assistant Examiner — Darcey E Heflin
(74) *Attorney, Agent, or Firm* — Gregory S.
Darley-Emerson; Leonard W Lewis; Steven W Miller

(57) **CLAIM**

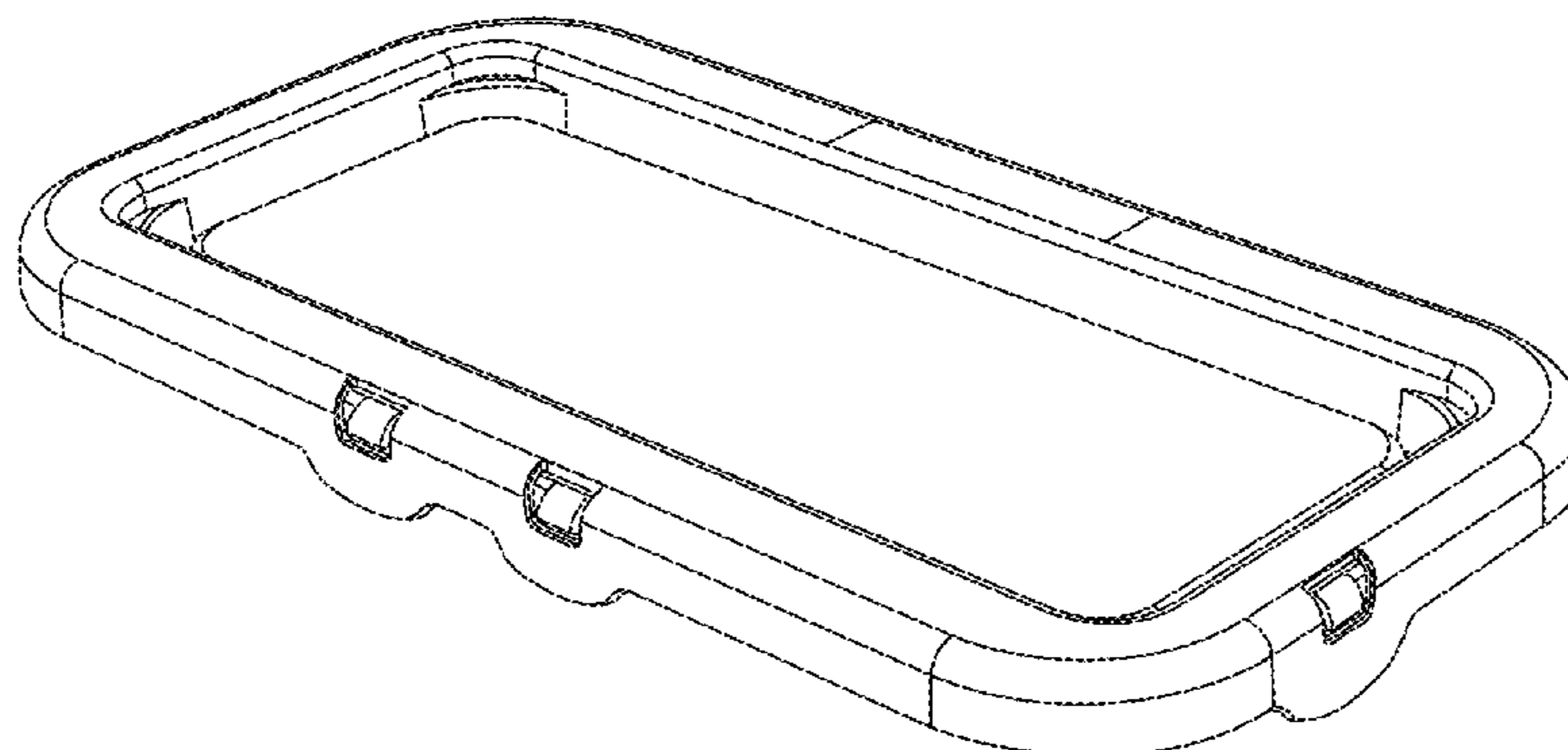
The ornamental design for a lid for containers, as shown and described.

DESCRIPTION

FIG. 1 is a perspective view of the first embodiment for a lid for containers;
FIG. 2 is a front view thereof;
FIG. 3 is a rear view thereof;
FIG. 4 is a right side view thereof;
FIG. 5 is a left side view thereof;
FIG. 6 is a top plan view thereof;
FIG. 7 is a bottom view thereof;
FIG. 8 is a perspective view of the second embodiment for a lid for containers;
FIG. 9 is a front view thereof;
FIG. 10 is a rear view thereof;
FIG. 11 is a right side view thereof;
FIG. 12 is a left side view thereof;
FIG. 13 is a top plan view thereof; and,
FIG. 14 is a bottom view thereof.

In the drawings, the broken lines depict environmental subject matter only that forms no part of the claim.

1 Claim, 14 Drawing Sheets



(56)

References Cited

U.S. PATENT DOCUMENTS

D654,693	S	*	2/2012	Freeman	D3/318
D660,093	S	*	5/2012	Kyung	D7/629
D662,817	S	*	7/2012	Andres et al.	D9/449
D662,818	S	*	7/2012	Andres et al.	D9/449
D673,049	S	*	12/2012	Kopulos et al.	D9/529
D679,183	S	*	4/2013	Kopulos et al.	D9/449
D708,913	S	*	7/2014	Ng	D7/629
D719,022	S	*	12/2014	Van Den Wouwer et al.	..	D9/449
2011/0204087	A1	*	8/2011	Kopulos et al.	222/71

OTHER PUBLICATIONS

Business Insider. Check Out This Amateur-Hour Screwup in P&G's Most Recent SEC Filing. Feb. 24, 2012 [online], [site visited Jan. 8, 2015]. Available from Internet, <URL:<http://www.businessinsider.com/check-out-this-amateur-hour-screwup-in-pgs-most-recent-sec-filing-2012-2>>.*

* cited by examiner

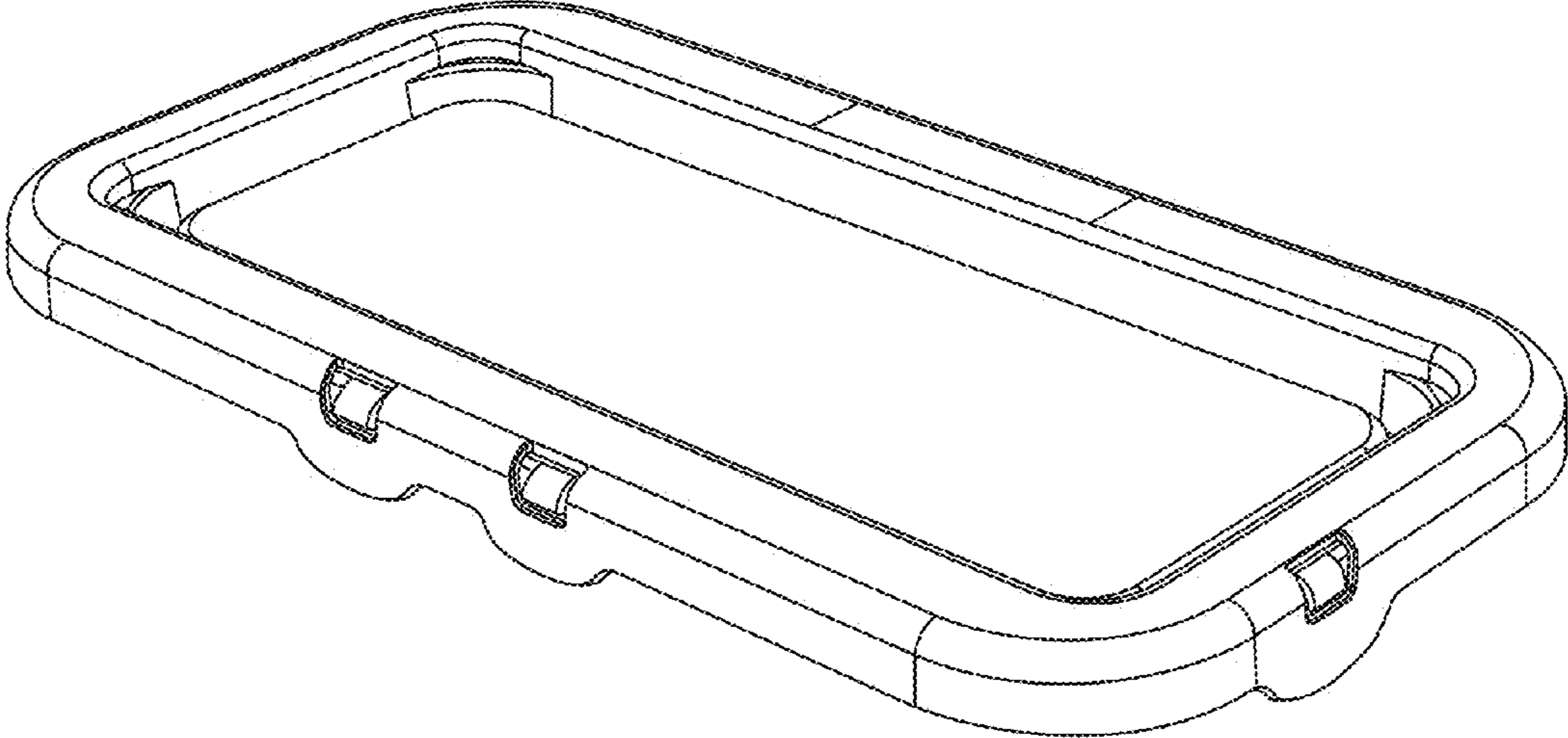


Fig. 1

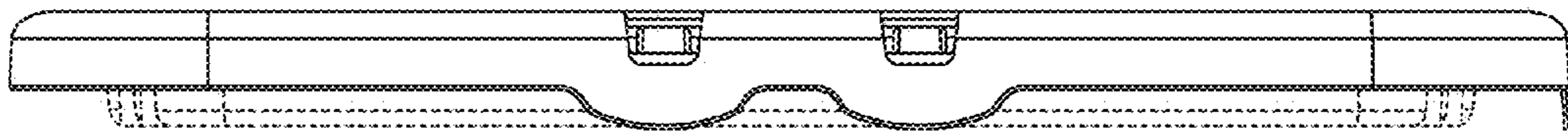


Fig. 2

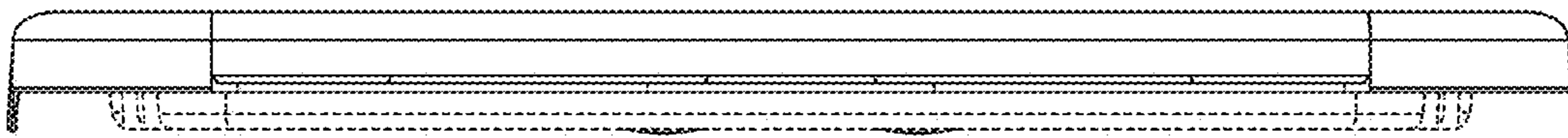


Fig. 3

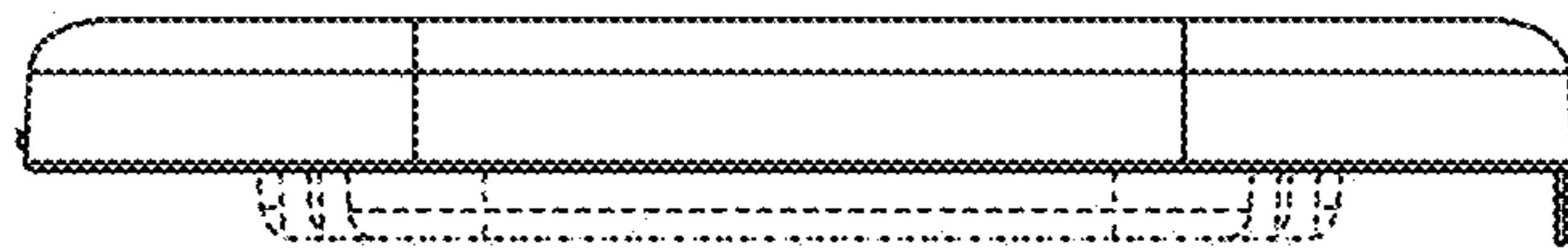


Fig. 4

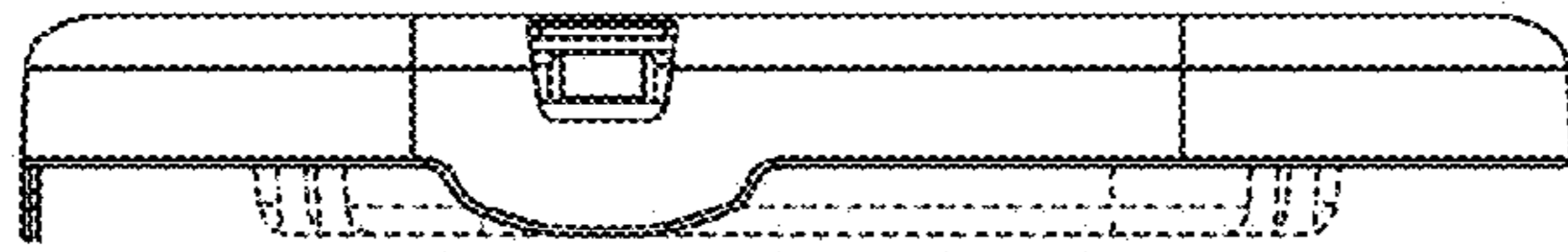


Fig. 5

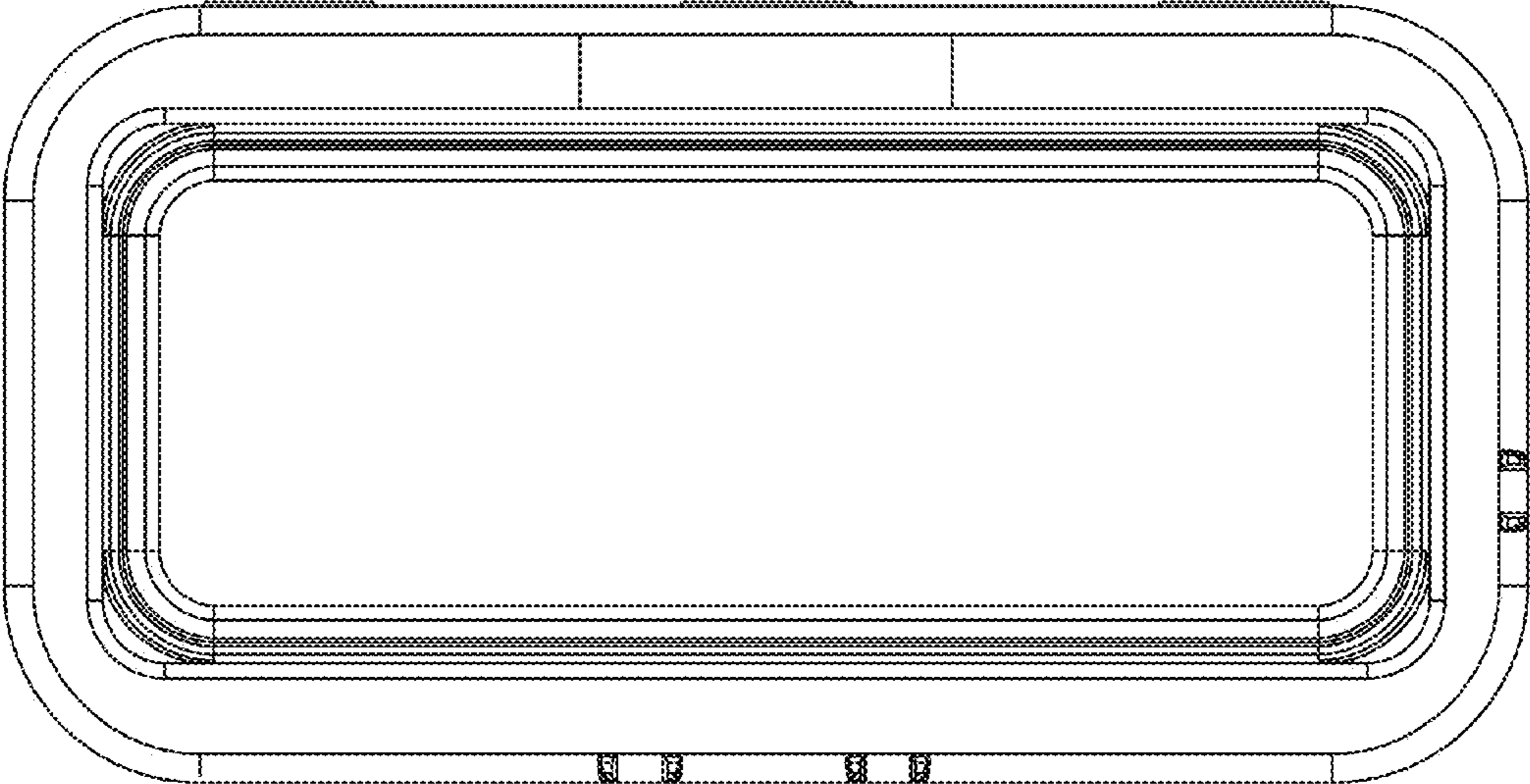


Fig. 6

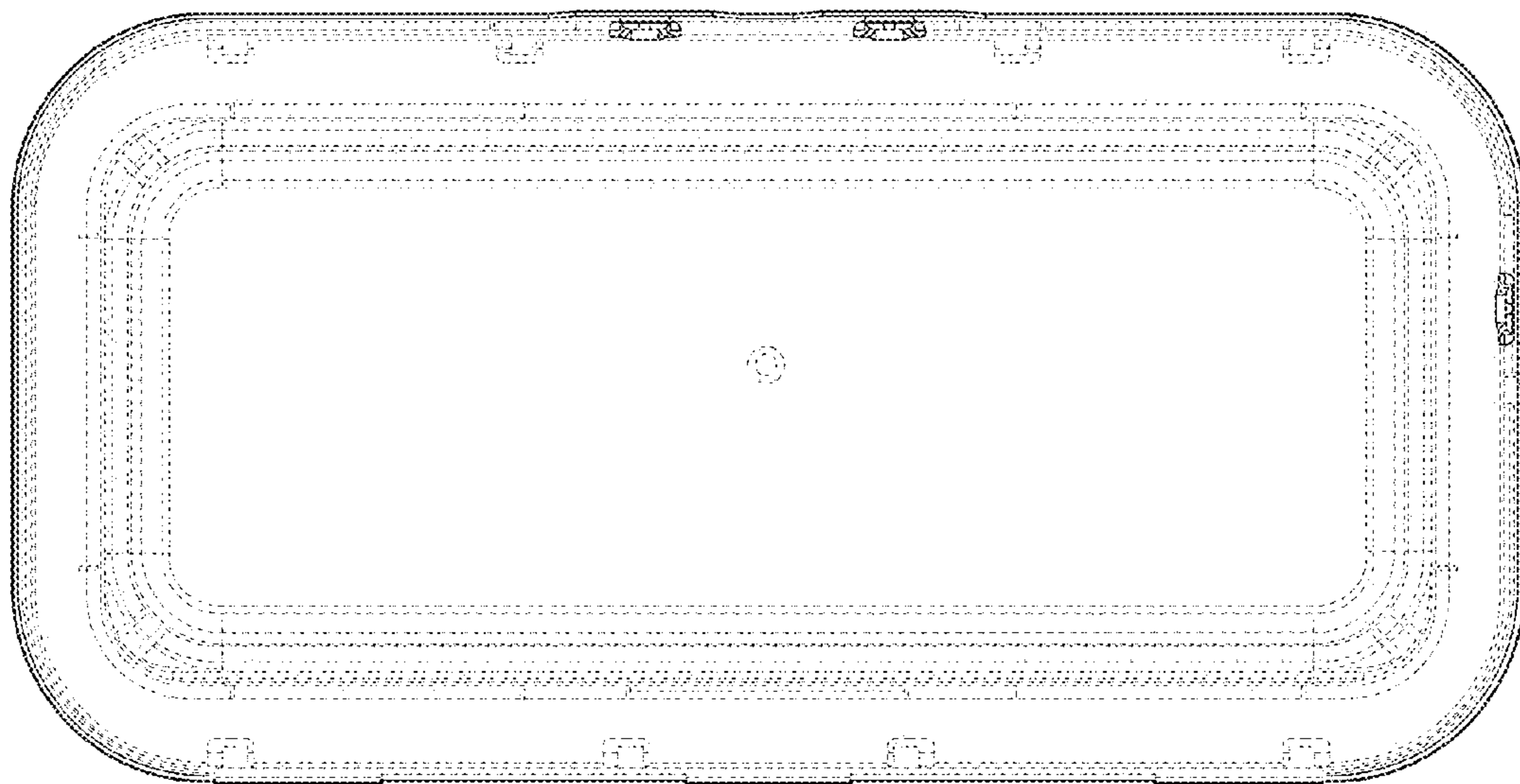


Fig. 7

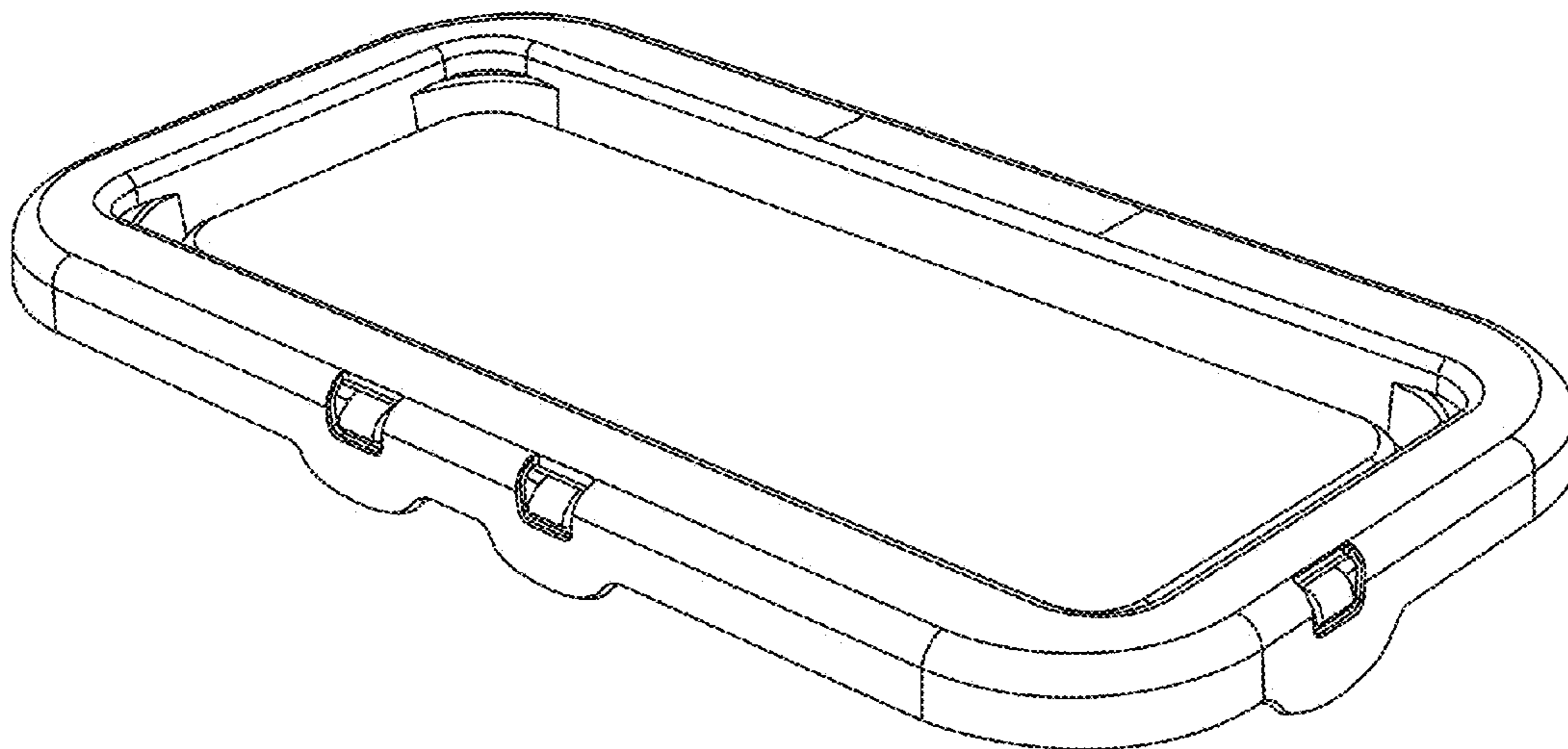


Fig. 8

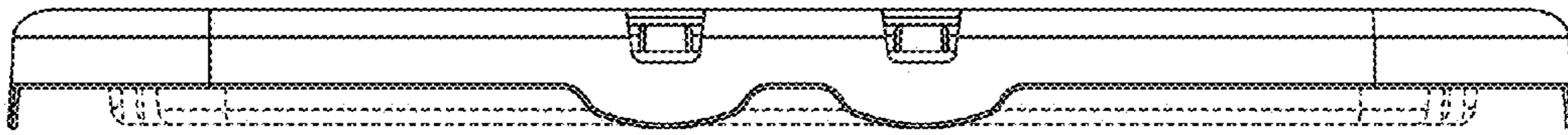


Fig. 9

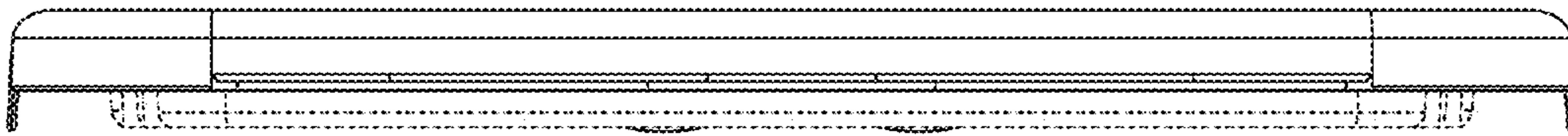


Fig. 10

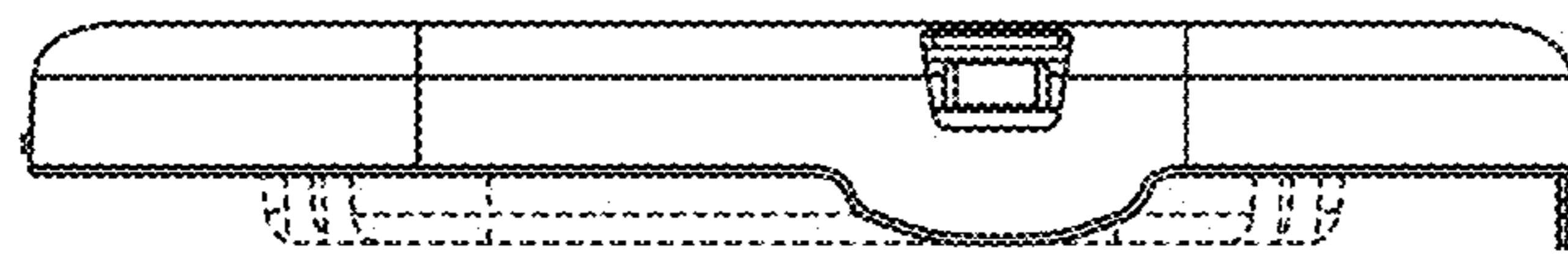


Fig. 11

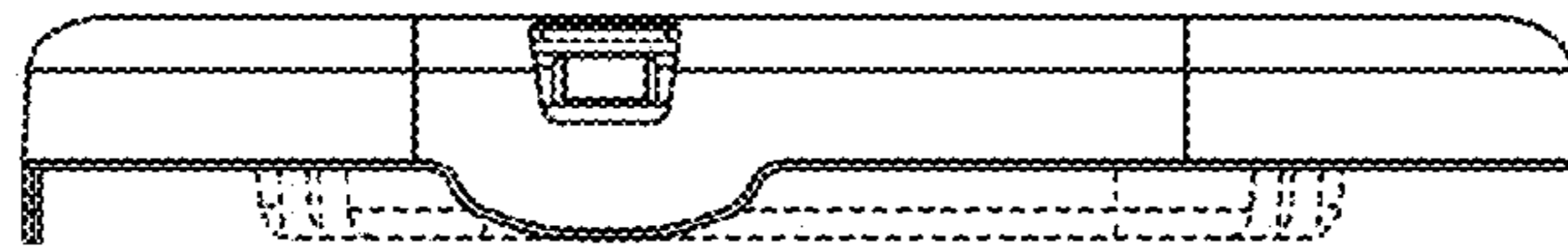


Fig. 12

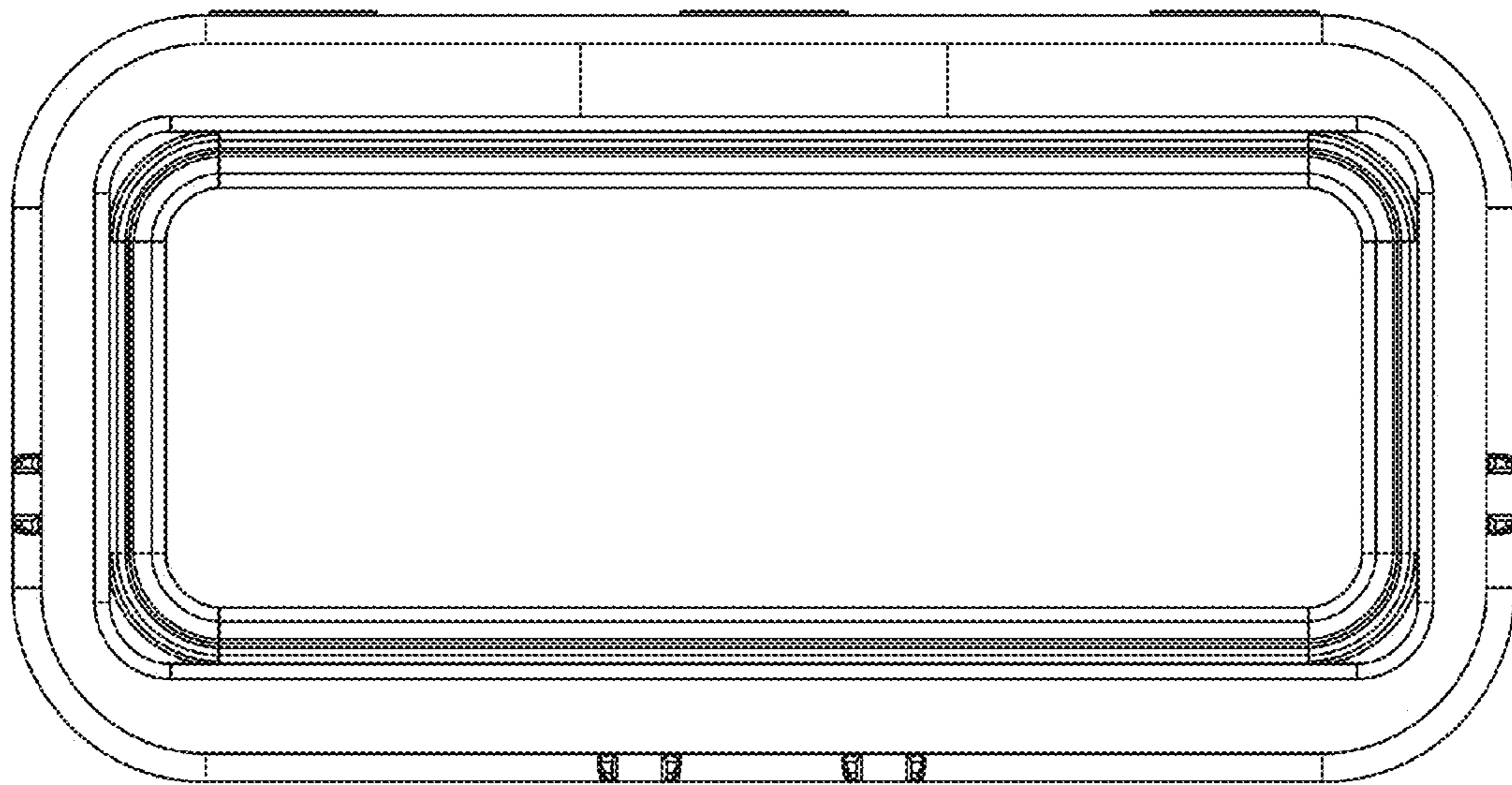


Fig. 13

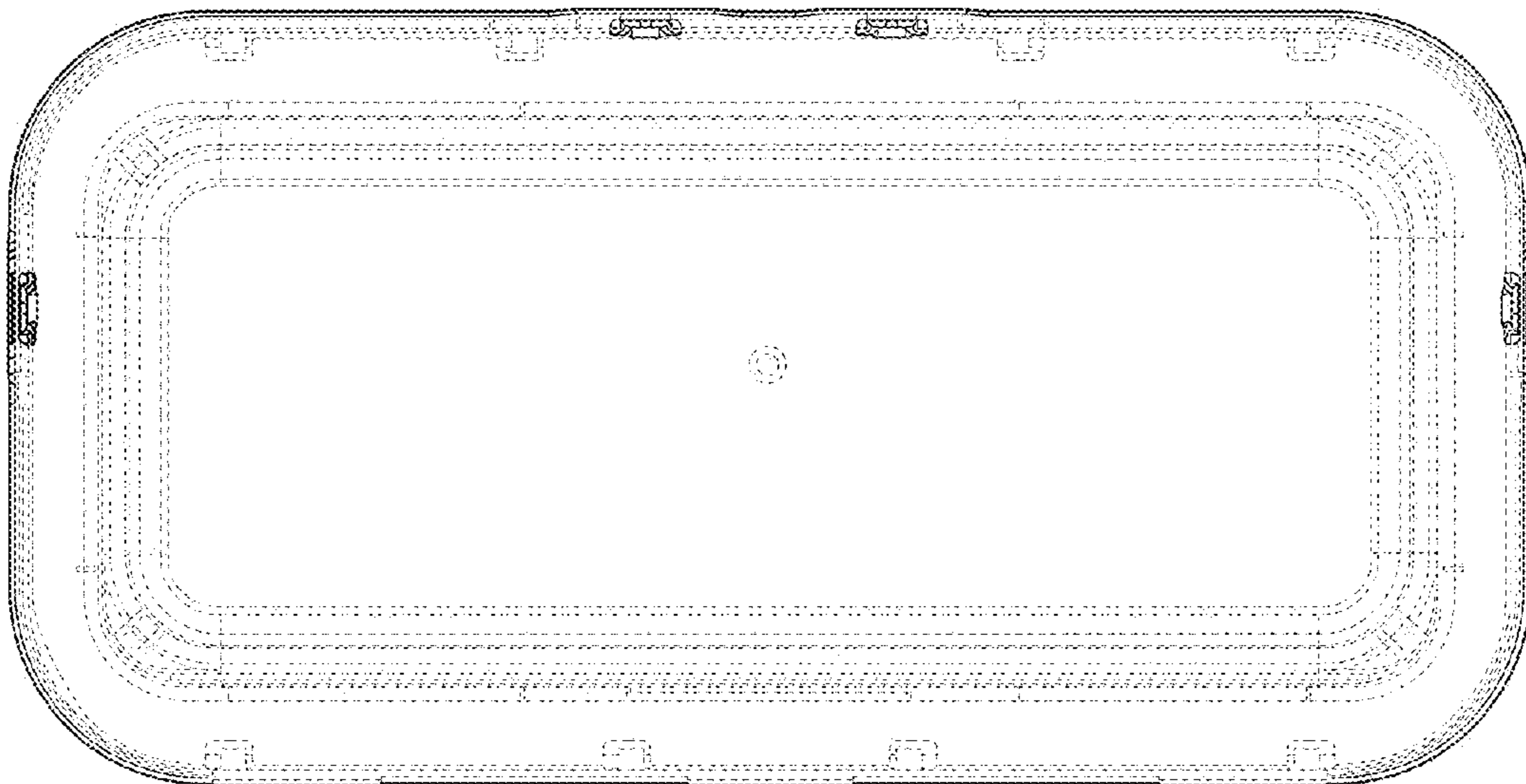


Fig. 14