



US00D745825S

(12) **United States Design Patent**
Bushida et al.

(10) **Patent No.:** **US D745,825 S**

(45) **Date of Patent:** **** Dec. 22, 2015**

(54) **PACKAGING CONTAINER**

(71) Applicant: **SUNTORY BEVERAGE & FOOD LIMITED**, Tokyo (JP)

(72) Inventors: **Mitsuru Bushida**, Tokyo (JP); **Daisuke Tanaka**, Tokyo (JP); **Takashi Kado**, Tokyo (JP); **Hiroki Yokoyama**, Tokyo (JP); **Masayuki Kitamasu**, Tokyo (JP)

(73) Assignees: **SUNTORY BEVERAGE & FOOD LIMITED**, Tokyo (JP); **SUNTORY HOLDINGS LIMITED**, Osaka (JP)

(**) Term: **14 Years**

(21) Appl. No.: **29/477,953**

(22) Filed: **Dec. 30, 2013**

(30) **Foreign Application Priority Data**

Jul. 1, 2013 (JP) 2013-014892
Jul. 1, 2013 (JP) 2013-014893
Jul. 1, 2013 (JP) 2013-014894

(51) **LOC (10) Cl.** **09-03**

(52) **U.S. Cl.**
USPC **D9/429**

(58) **Field of Classification Search**

USPC D9/414, 415, 416, 417, 419, 421, 424, D9/425, 428, 429, 435-454; D7/318, 319, D7/619.1, 629; 229/400-406, 906.1; 220/200, 257.2, 269, 500, 656-659, 220/669-675, 912, 4.21-4.27; 206/431, 206/553, 557, 541, 775, 776, 217
CPC A47J 36/06; A47J 47/14; B65D 1/165; B65D 15/08; B65D 21/083; B65D 21/0234; B65D 43/162; B65D 71/50; B65D 77/24; B65D 81/3869; B65D 2543/00046; B65D 2543/00055; B65D 2543/00083; B65D 2543/00092; B65D 2543/00296

See application file for complete search history.

(56) **References Cited**

U.S. PATENT DOCUMENTS

3,232,474 A * 2/1966 Dunn 220/270
3,321,123 A * 5/1967 Collie 229/123.2
D289,499 S * 4/1987 Drummond et al. D9/429
4,875,620 A * 10/1989 Lane, Sr. 229/404
D313,556 S * 1/1991 Smith D9/425
D317,567 S * 6/1991 Lane, Sr. D9/425
D317,568 S * 6/1991 Lane, Sr. D9/425
D369,971 S * 5/1996 Brauner et al. D9/428
5,782,376 A * 7/1998 Brauner et al. 220/669
D453,108 S * 1/2002 Gasco D9/429

(Continued)

OTHER PUBLICATIONS

U.S. Appl. No. 29/477,956 to Mitsuru Bushida et al., which was filed Dec. 30, 2013.

(Continued)

Primary Examiner — Karen S Acker

Assistant Examiner — Wendy Arminio

(74) *Attorney, Agent, or Firm* — Greenblum & Bernstein, P.L.C.

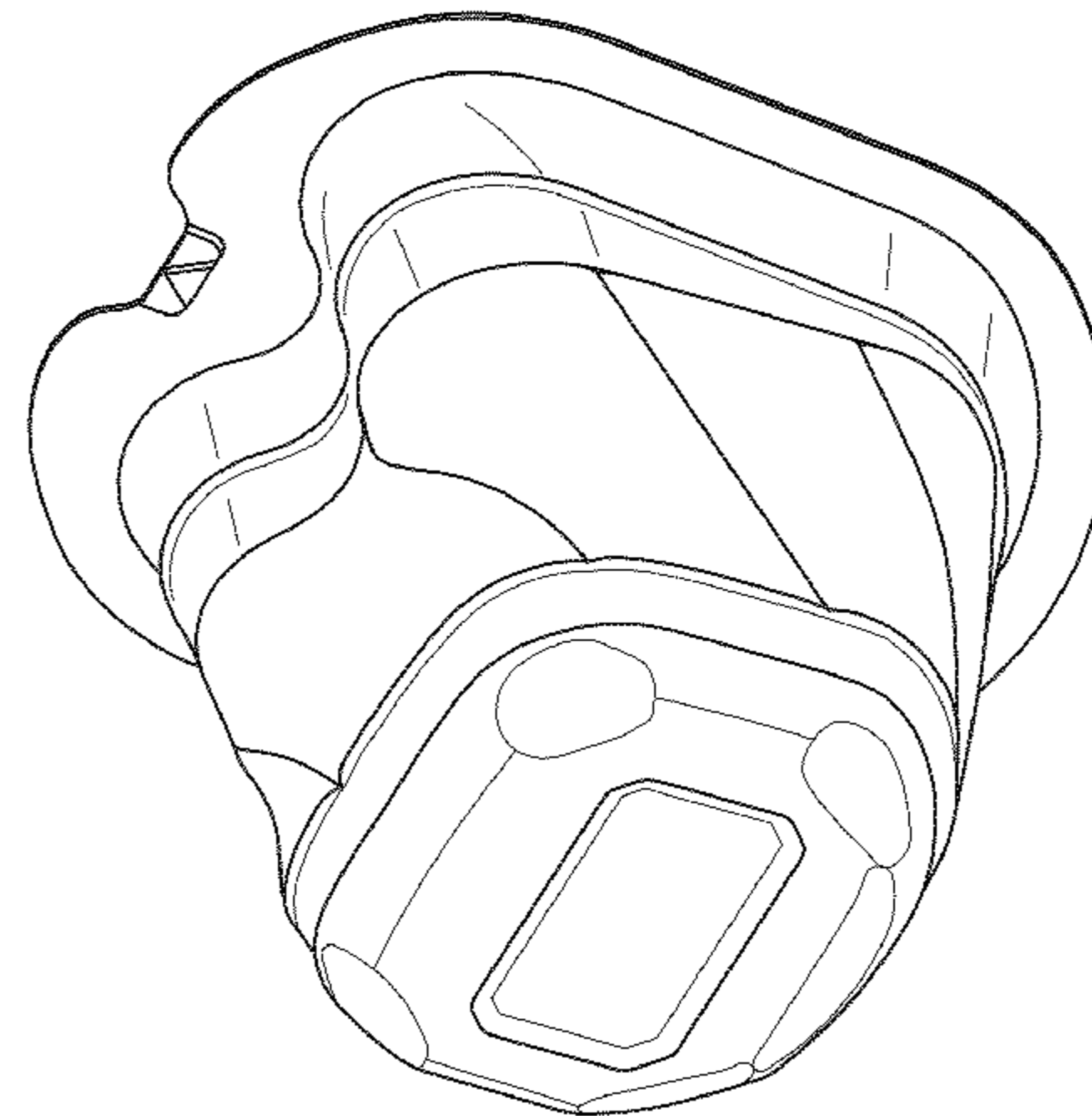
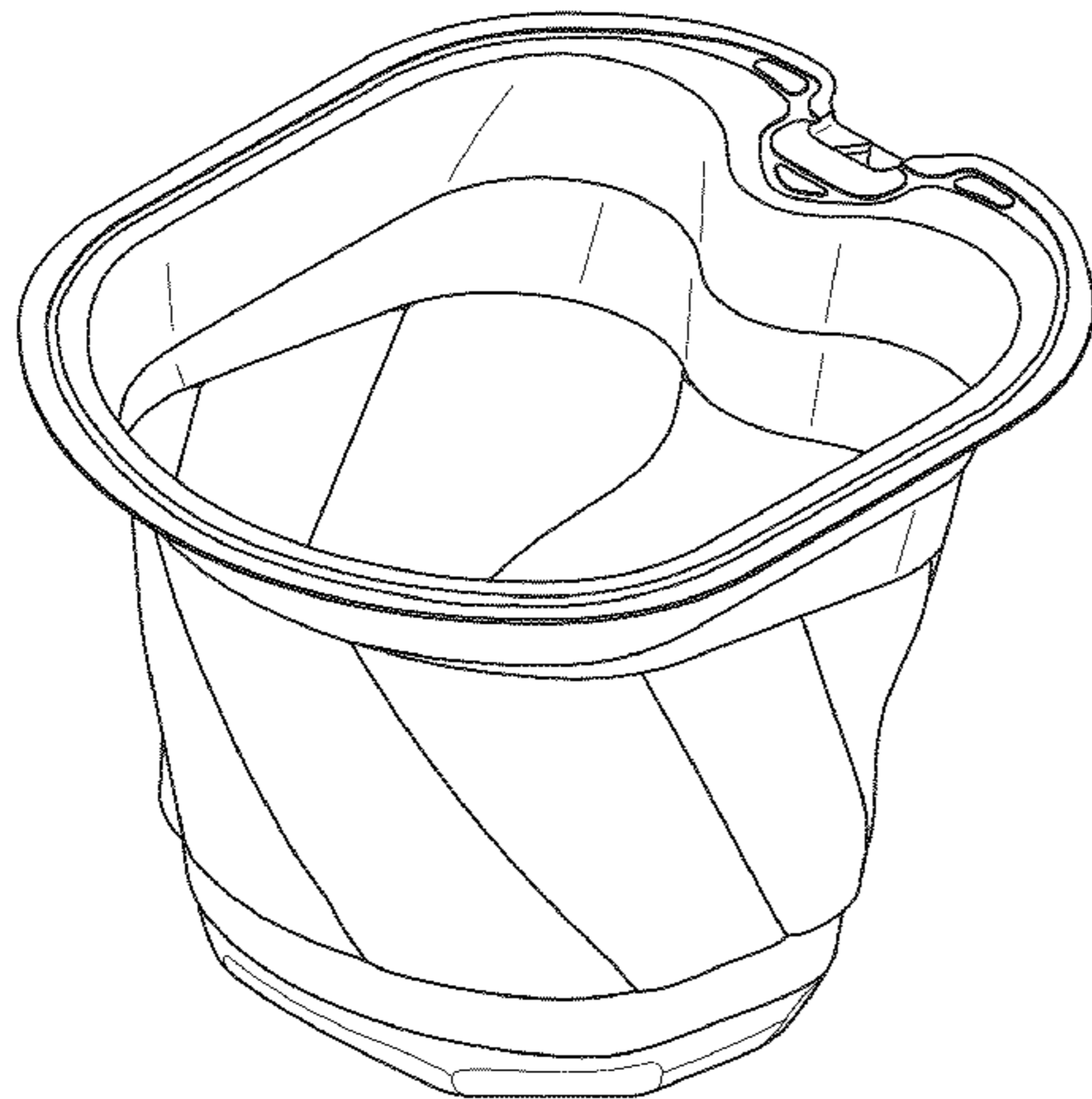
(57) **CLAIM**

The ornamental design for a packaging container, as shown and described.

DESCRIPTION

FIG. 1 is a front view of a first embodiment of a packaging container showing our new design;
FIG. 2 is a rear view thereof;
FIG. 3 is a left side view thereof;
FIG. 4 is a right side view thereof;
FIG. 5 is a top plan view thereof;
FIG. 6 is a bottom view thereof;
FIG. 7 is a top perspective view thereof;
FIG. 8 is a bottom perspective view thereof; and,
FIG. 9 is an enlarged cross-sectional view taken along the line 9-9 of FIG. 5.

1 Claim, 9 Drawing Sheets



(56)

References Cited

OTHER PUBLICATIONS

U.S. PATENT DOCUMENTS

D473,463 S * 4/2003 Armstrong et al. D9/432
D490,311 S * 5/2004 Timm D9/434
D502,095 S * 2/2005 Tucker et al. D9/425
D630,504 S * 1/2011 Scott et al. D9/425
D649,396 S * 11/2011 Wilkens et al. D7/396.2
8,152,018 B2 * 4/2012 Smith et al. 220/675
D675,089 S * 1/2013 Cook et al. D9/428
D682,087 S * 5/2013 Bourguignon D9/425
8,529,974 B2 * 9/2013 Ortiz et al. 426/111
D694,621 S * 12/2013 McCarthy et al. D9/429
D700,838 S * 3/2014 Oommen D9/425
D720,988 S * 1/2015 Sierra Cardona D9/424
2010/0237069 A1 * 9/2010 Helou et al. 220/200

U.S. Appl. No. 29/477,954 to Mitsuru Bushida et al., which was filed
Dec. 30, 2013.
U.S. Appl. No. 29/477,950 to Mitsuru Bushida et al., which was filed
Dec. 30, 2013.
U.S. Appl. No. 29/477,951 to Mitsuru Bushida et al., which was filed
Dec. 30, 2013.
U.S. Appl. No. 29/477,948 to Mitsuru Bushida et al., which was filed
Dec. 30, 2013.

* cited by examiner

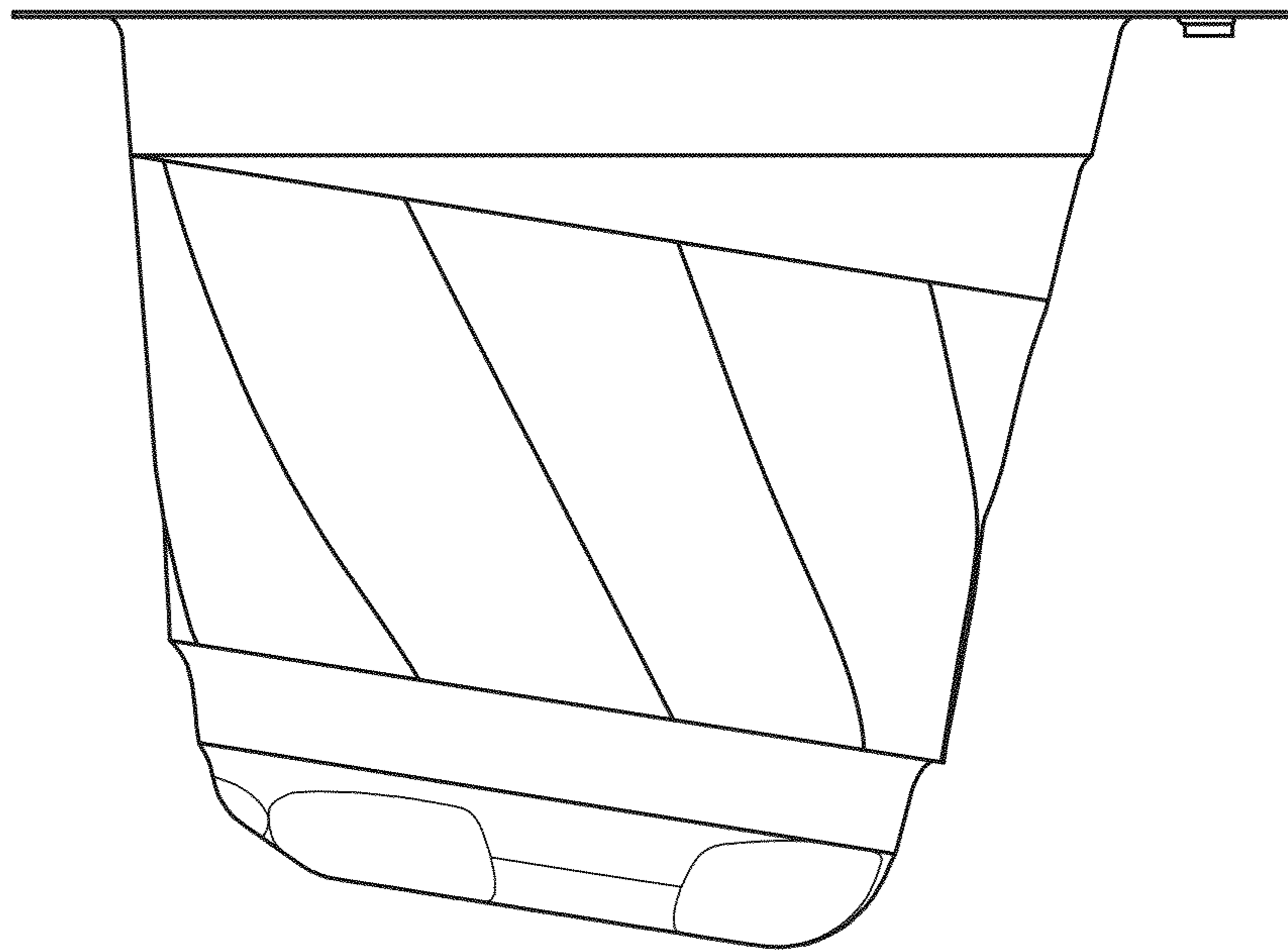


FIG. 1

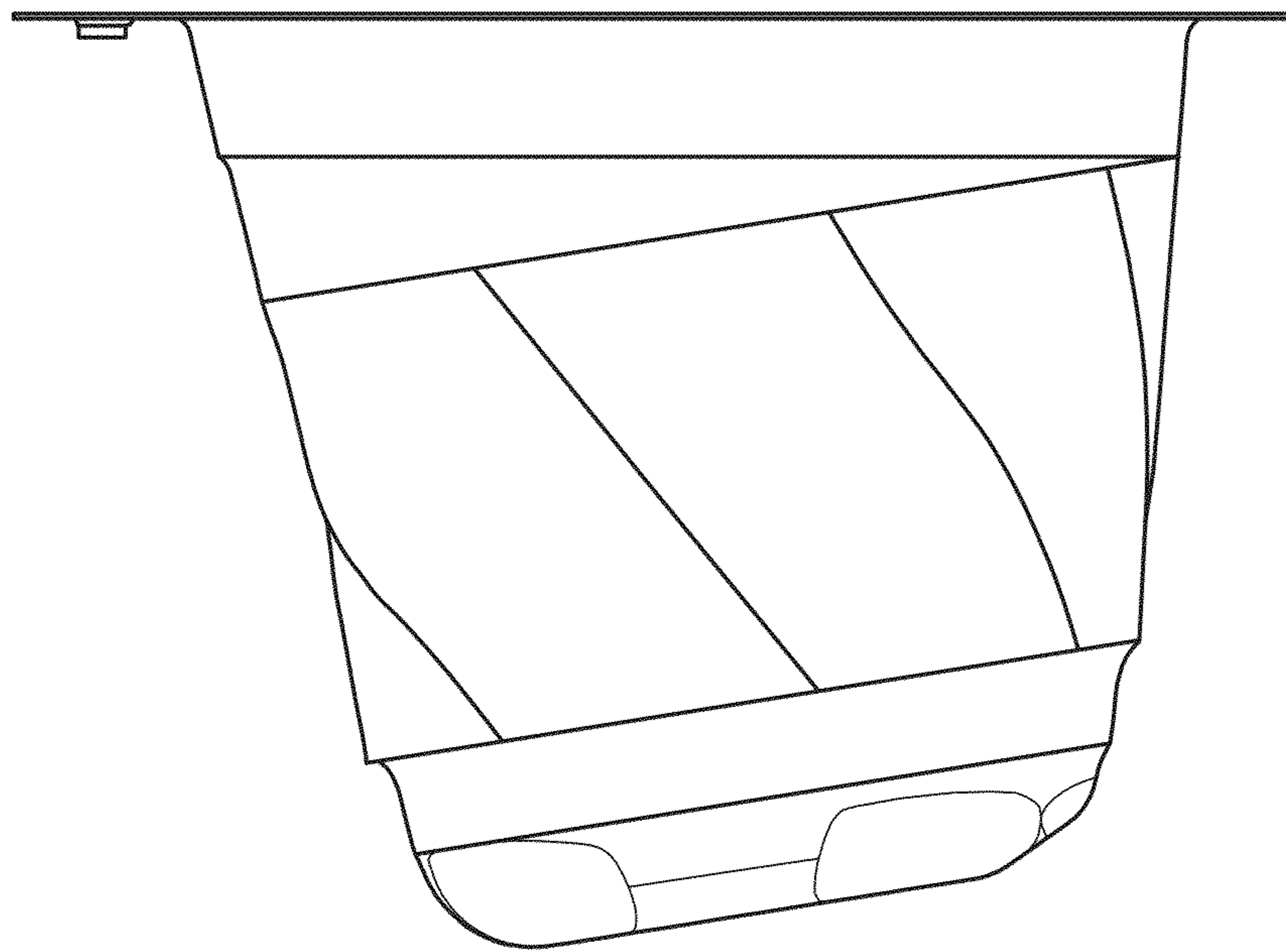


FIG. 2

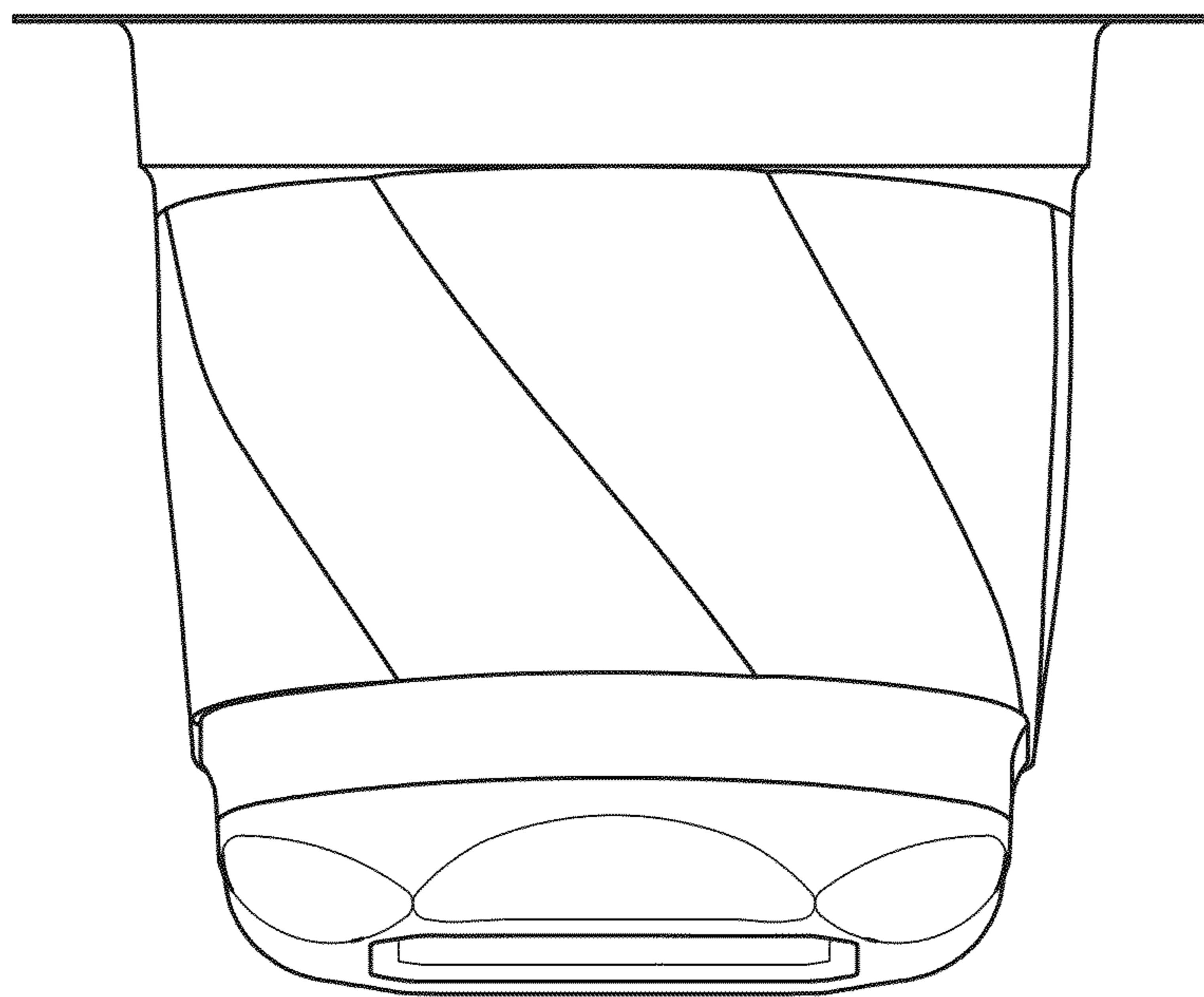


FIG. 3

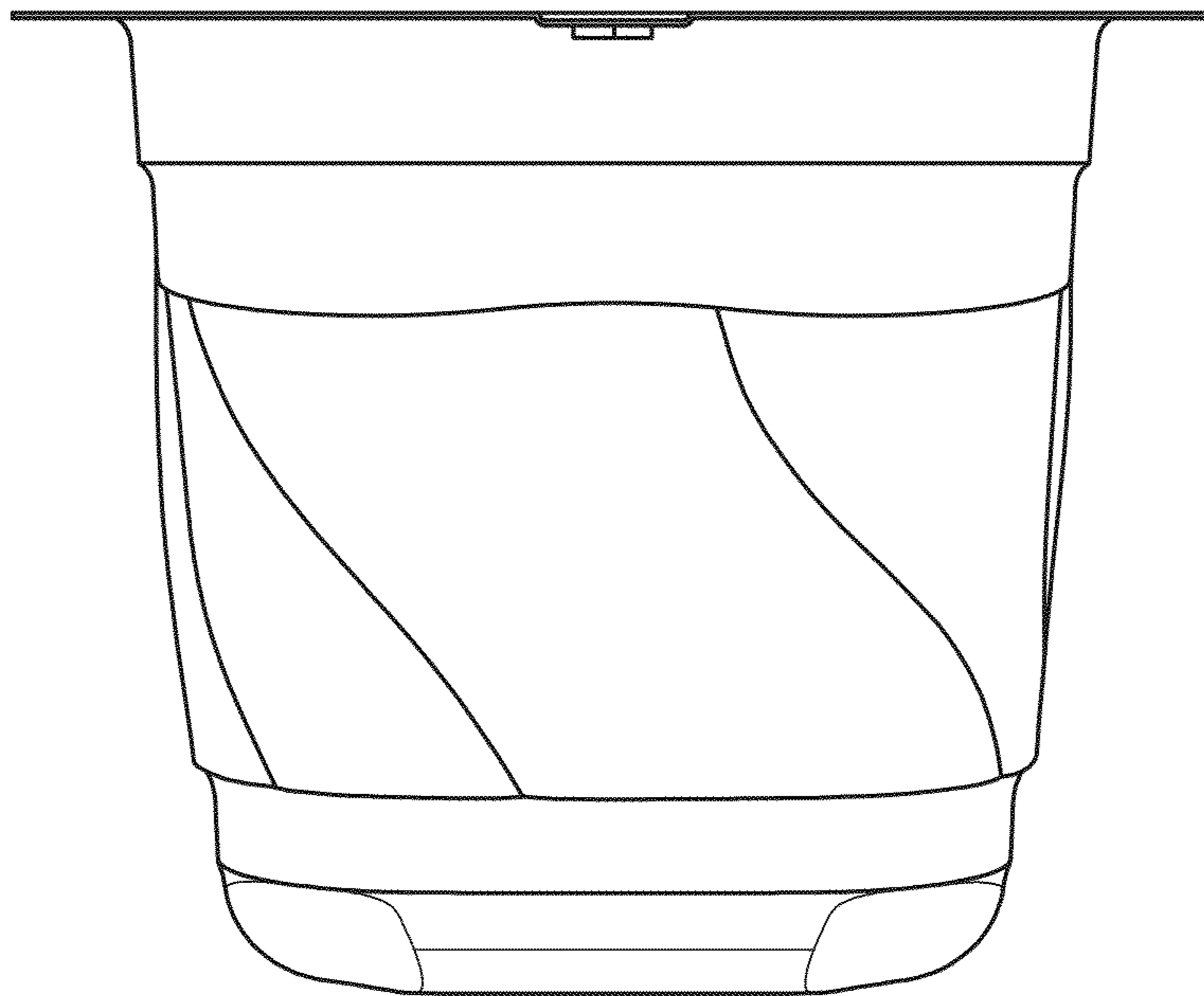


FIG. 4

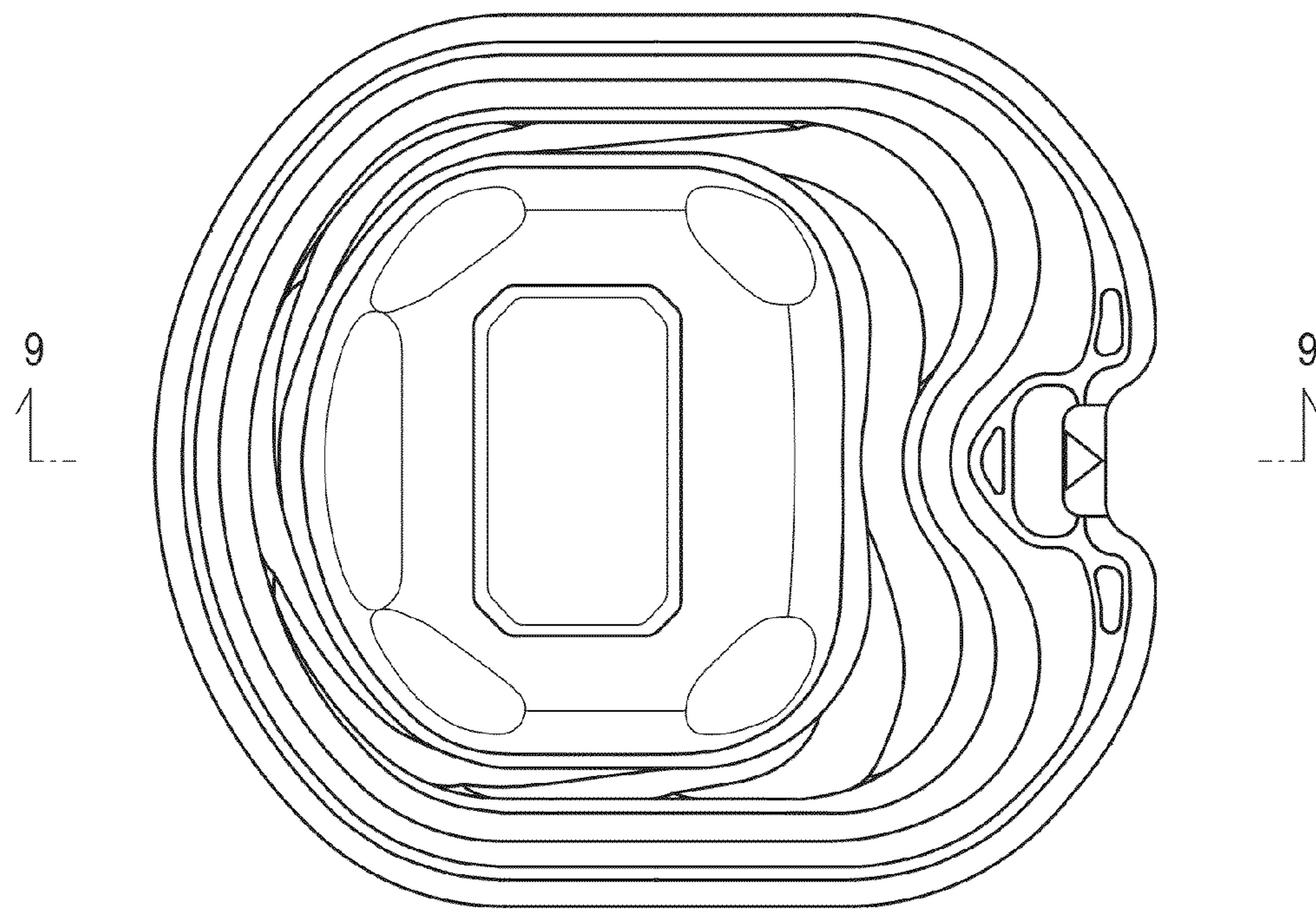


FIG. 5

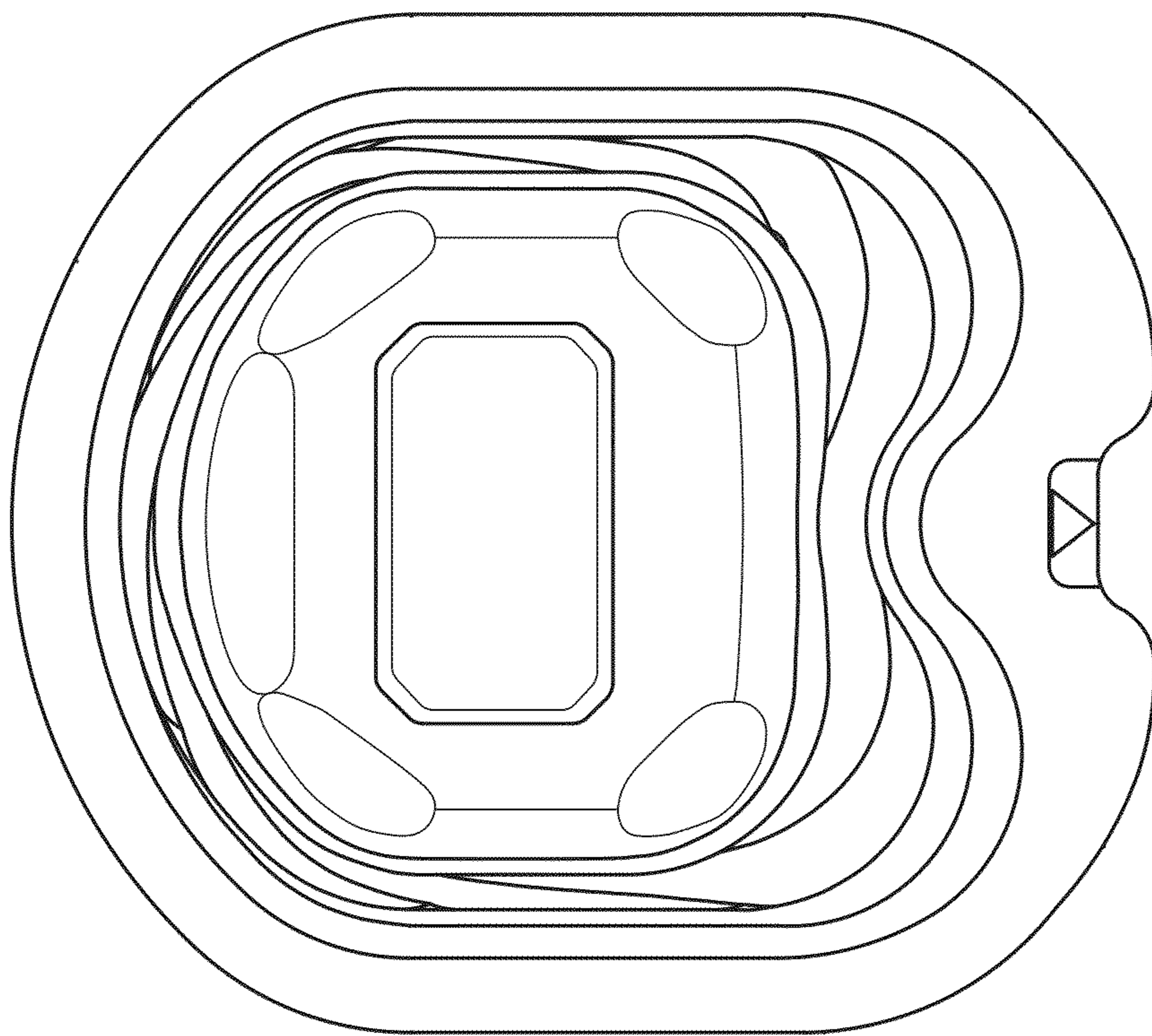


FIG. 6

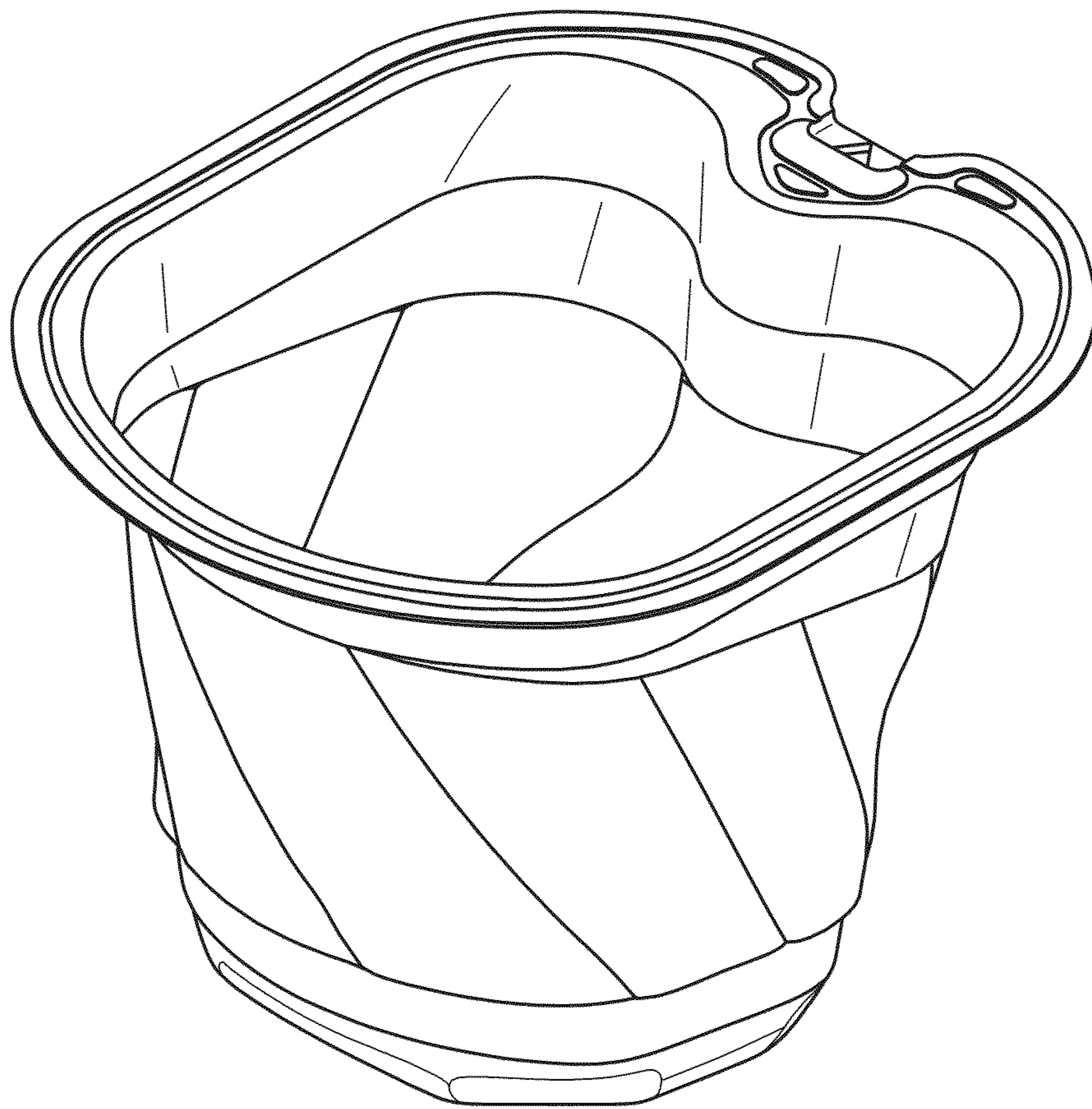


FIG. 7

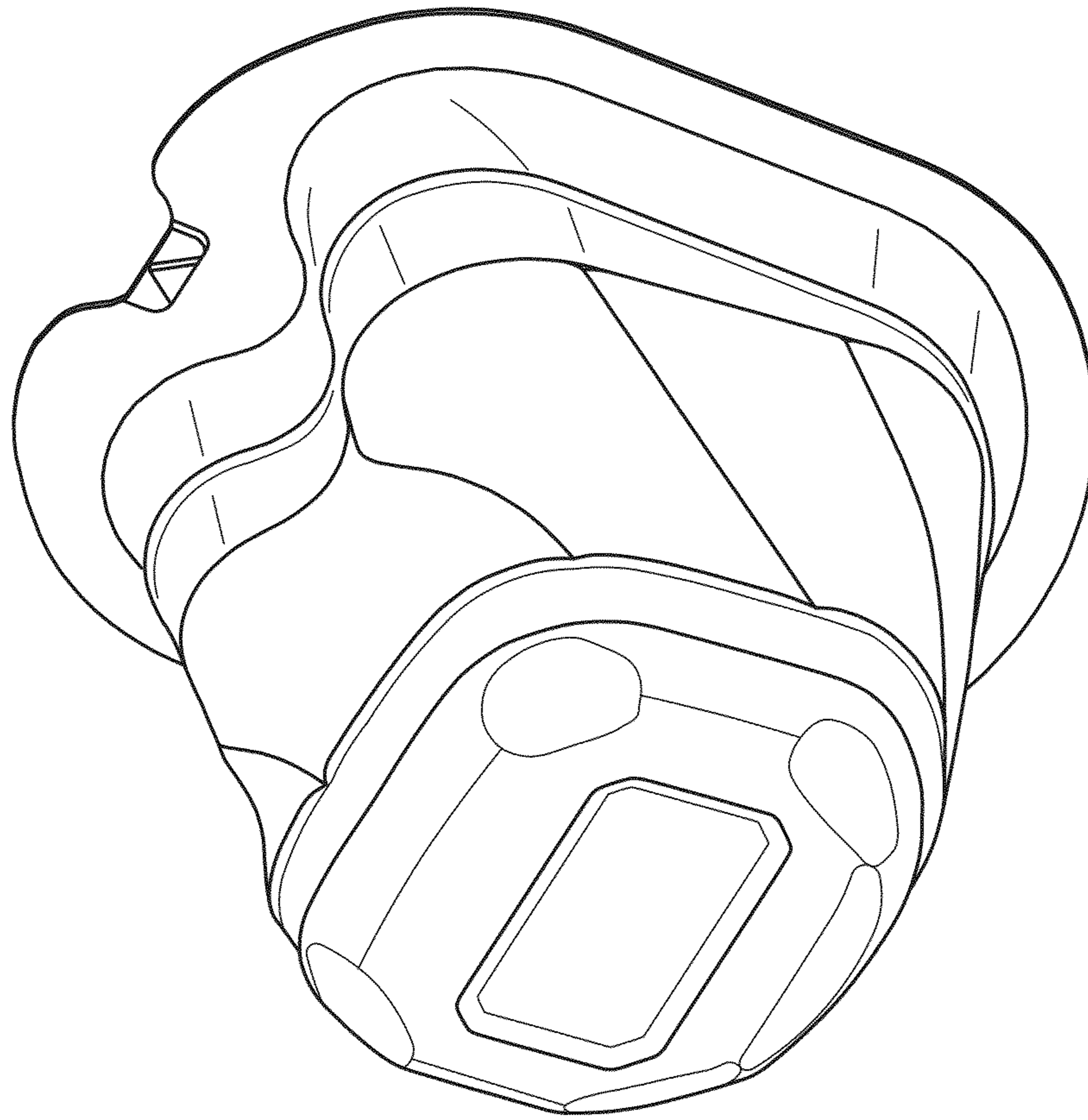


FIG. 8

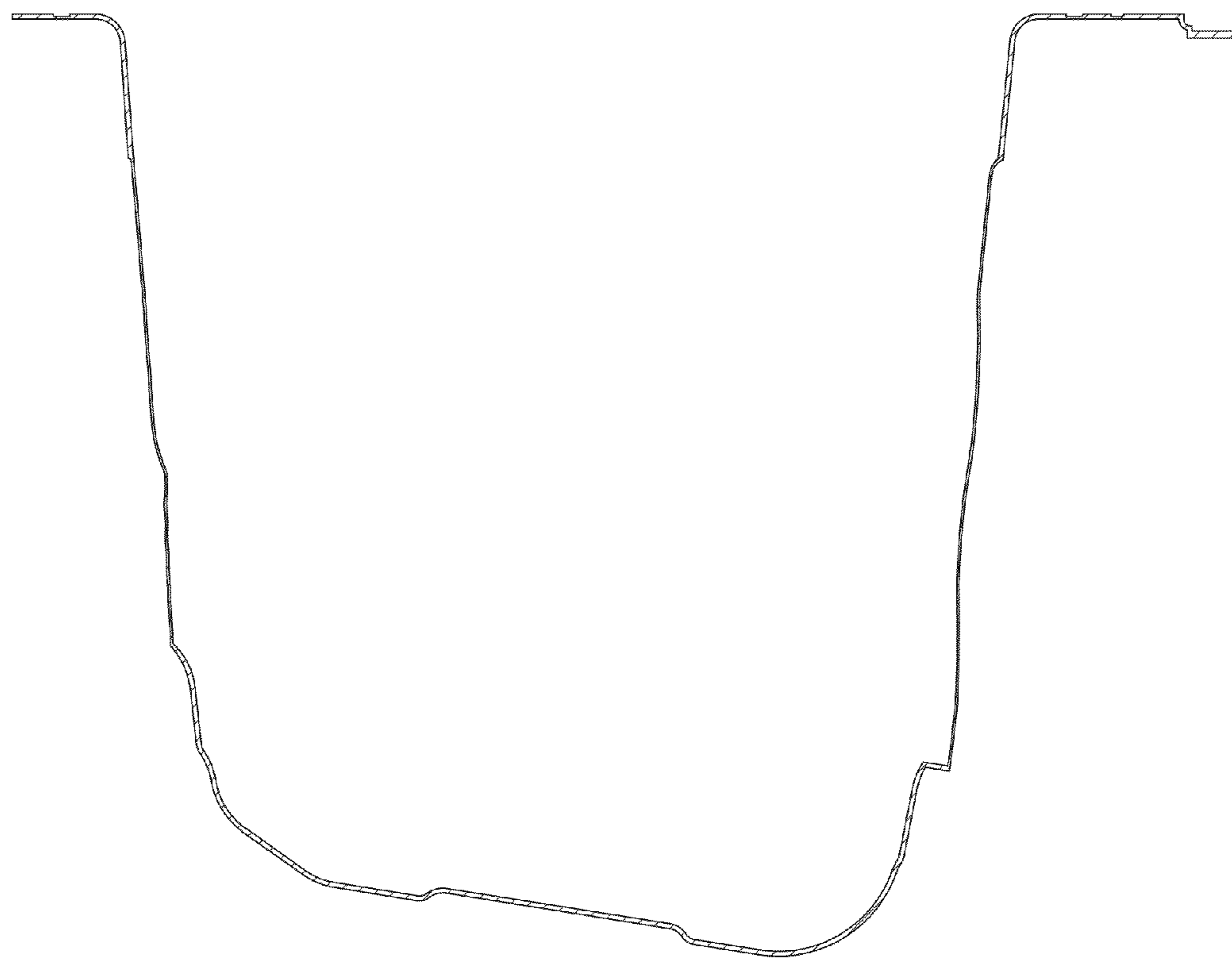


FIG. 9