



US00D745824S

(12) **United States Design Patent**
Ritter et al.

(10) **Patent No.:** **US D745,824 S**
(45) **Date of Patent:** **** Dec. 22, 2015**

(54) **CONTAINER FOR FOOD**

FOREIGN PATENT DOCUMENTS

(71) Applicant: **Ritter GmbH**, Schwabmünchen (DE)

DE 102008014758 A1 10/2009
DE 202010007919 U1 12/2010

(72) Inventors: **Ralf Ritter**, Schwabmünchen (DE);
Frank Ritter, Schwabmünchen (DE);
Frank Finis, Schwabmünchen (DE)

(Continued)

(73) Assignee: **Ritter GmbH**, Schwabmünchen (DE)

OTHER PUBLICATIONS

(**) Term: **14 Years**

Mar. 28, 2013, Refusal from the Office for Harmonization in the Internal Market, in Community Trademark Application No. 011633609 with an English machine translation of same, which is related to this U.S. application.

(Continued)

(21) Appl. No.: **29/466,375**

Primary Examiner — Holly Baynham

(22) Filed: **Sep. 6, 2013**

Assistant Examiner — Rhea Shields

(30) **Foreign Application Priority Data**

(74) *Attorney, Agent, or Firm* — Kolisch Hartwell, P.C.

Mar. 7, 2013 (EM) 002197962-0001
Mar. 7, 2013 (EM) 002197962-0005

(57) **CLAIM**

We claim the ornamental design for a container for food, as shown and described.

(51) **LOC (10) Cl.** **09-03**

DESCRIPTION

(52) **U.S. Cl.**
USPC **D9/416**

(58) **Field of Classification Search**
USPC D9/416, 429, 428, 778, 776, 503, 425,
D9/431; 220/657, 659; 206/539, 540, 541;
229/400-406, 600, 932, 906.1
CPC B65D 1/46; B65D 1/34; B65D 83/0445;
B65D 83/0481; B65D 3/06; B65D 3/28;
B65D 77/245; B65D 81/3869; B65D
2543/00092; B65D 85/78; B65D 2543/00046
See application file for complete search history.

FIG. 1 is a top perspective view of the container for food according to a first embodiment of the present invention; FIG. 2 is a right side view of the embodiment of FIG. 1. FIG. 3 is a bottom perspective view of the embodiment of FIG. 1.

FIG. 4 is a top perspective view of the container for food according to a second embodiment of the present invention; FIG. 5 is a top view of the embodiment of FIG. 4.

FIG. 6 is a bottom view of the embodiment of FIG. 4. FIG. 7 is a bottom perspective view of the embodiment of FIG. 4.

FIG. 8 is a right side view of the embodiment of FIG. 4; and, FIG. 9 is a left side view of the embodiment of FIG. 4.

The left side view of the design of the embodiment of FIG. 1 is a mirror image of the right side view, so the left side view has been omitted.

In the drawings, the broken lines depict unclaimed subject matter only and form no part of the claimed design.

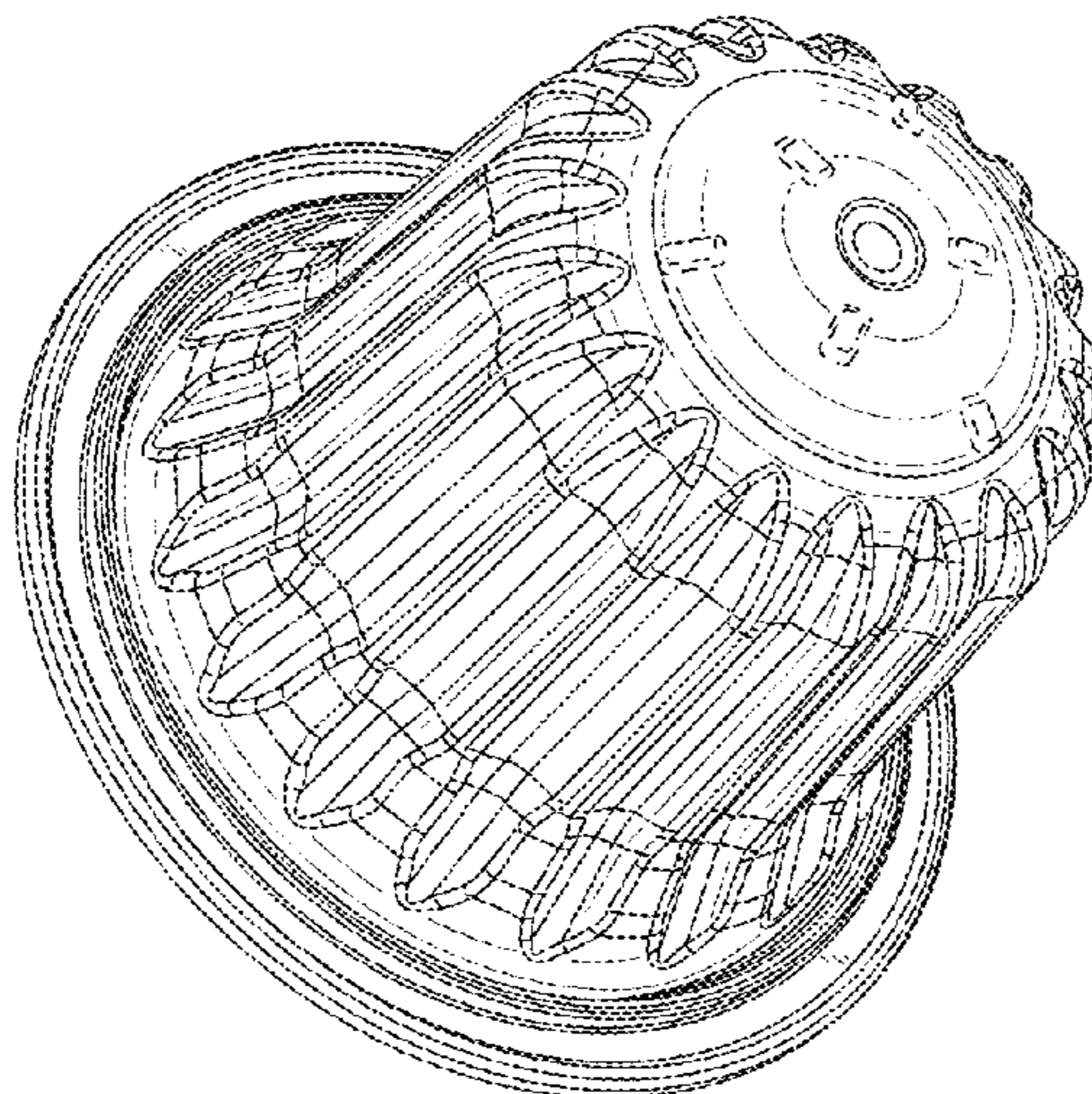
(56) **References Cited**

U.S. PATENT DOCUMENTS

3,527,020 A * 9/1970 Mancini 53/282
D260,243 S * 8/1981 Dogliotti D7/531

(Continued)

1 Claim, 5 Drawing Sheets



(56)

References Cited

U.S. PATENT DOCUMENTS

D275,179	S *	8/1984	Spencer et al.	D9/520
D317,120	S *	5/1991	Schwartzburg	D9/778
5,064,073	A *	11/1991	Folland	220/521
5,472,719	A	12/1995	Favre		
D372,738	S *	8/1996	Akerlind	D1/199
D381,558	S *	7/1997	Schaefer et al.	D7/531
D422,841	S *	4/2000	Milford et al.	D7/531
D445,677	S *	7/2001	Lindsay et al.	D9/429
D513,152	S *	12/2005	Cahen	D7/400
D539,643	S *	4/2007	Abel	D9/424
D559,623	S *	1/2008	Schellenberg	D7/511
D580,750	S *	11/2008	Claassen et al.	D9/428
D606,363	S *	12/2009	Aardenburg	D7/400
7,658,141	B2	2/2010	Masek et al.		
D621,698	S *	8/2010	Cometto	D9/424
D628,883	S *	12/2010	Stephens	D9/429
D642,068	S *	7/2011	Milewski et al.	D9/696
D642,454	S *	8/2011	Santoiemmo	D9/428
D649,870	S *	12/2011	Cometto	D9/424
D652,718	S *	1/2012	Caldwell et al.	D9/434
D658,493	S *	5/2012	Cometto	D9/424
D686,496	S *	7/2013	Strauli	D9/439
D689,768	S *	9/2013	Inderbitzin	D9/429
D694,112	S *	11/2013	Brown	D9/503
D695,110	S *	12/2013	Houlton et al.	D9/428
D697,794	S *	1/2014	De Pra	D9/425
D699,566	S *	2/2014	De Pra	D9/425
D703,035	S *	4/2014	Zanetti	D9/416
2011/0212225	A1 *	9/2011	Mariller	426/80
2011/0274794	A1	11/2011	Gerbaulet et al.		
2013/0136828	A1 *	5/2013	Anghileri	426/112

FOREIGN PATENT DOCUMENTS

EP	1529739	A1	5/2005
EP	1892199	A1	2/2008
EP	1997748	A1	12/2008
EP	2218652	A1	8/2010
EP	2218653	A1	8/2010
WO	2011047836	A1	4/2011
WO	2013120997	A1	8/2013

OTHER PUBLICATIONS

May 8 2013 International Search Report from European Patent Office in PCT/EP2013/053080, which is the international application to this U.S. application.

Dawanda, “#54 Nespresso Recycling Kaffee Kapsel Alu Wechs”, 2012, cited in Mar. 8, 2013 Refusal in Community Trademark Application No. 011633609, obtained Oct. 4, 2013 at <http://de.dawanda.com/product/29504613-54-Nespresso-Recycling-Kaffee-Kapsel-Alu-Wechs> with an English machine translation of same.

Kubus, “Mycoffeestar, wiederverwendbare Kaffekapsel”, Jan. 22, 2013, cited in Mar. 8, 2013 Refusal in Community Trademark Application No. 011633609, obtained Oct. 4, 2013 at <http://kubusmedia.com/mycoffeestar-wiederverwendbare-kaffee-kapsel/> with an English machine translation of same.

Epochtimes, Jun. 10, 2012, cited in Mar. 8, 2013 Refusal in Community Trademark Application No. 011633609, obtained Oct. 4, 2013 at <http://www.epochtimes.de/Umwelt/Oekologie/>

Umweltfreundlicher-Fairtrade-Kaffee-starte with an English machine translation of same.

Brita Haushalt, cited in Mar. 8, 2013 Refusal in Community Trademark Application No. 011633609, obtained Oct. 4, 2013 at http://www.brita.de/brita/pages/cms/page.grid?nid=yource_2&pid=yource_2 with an English machine translation of same.

* cited by examiner

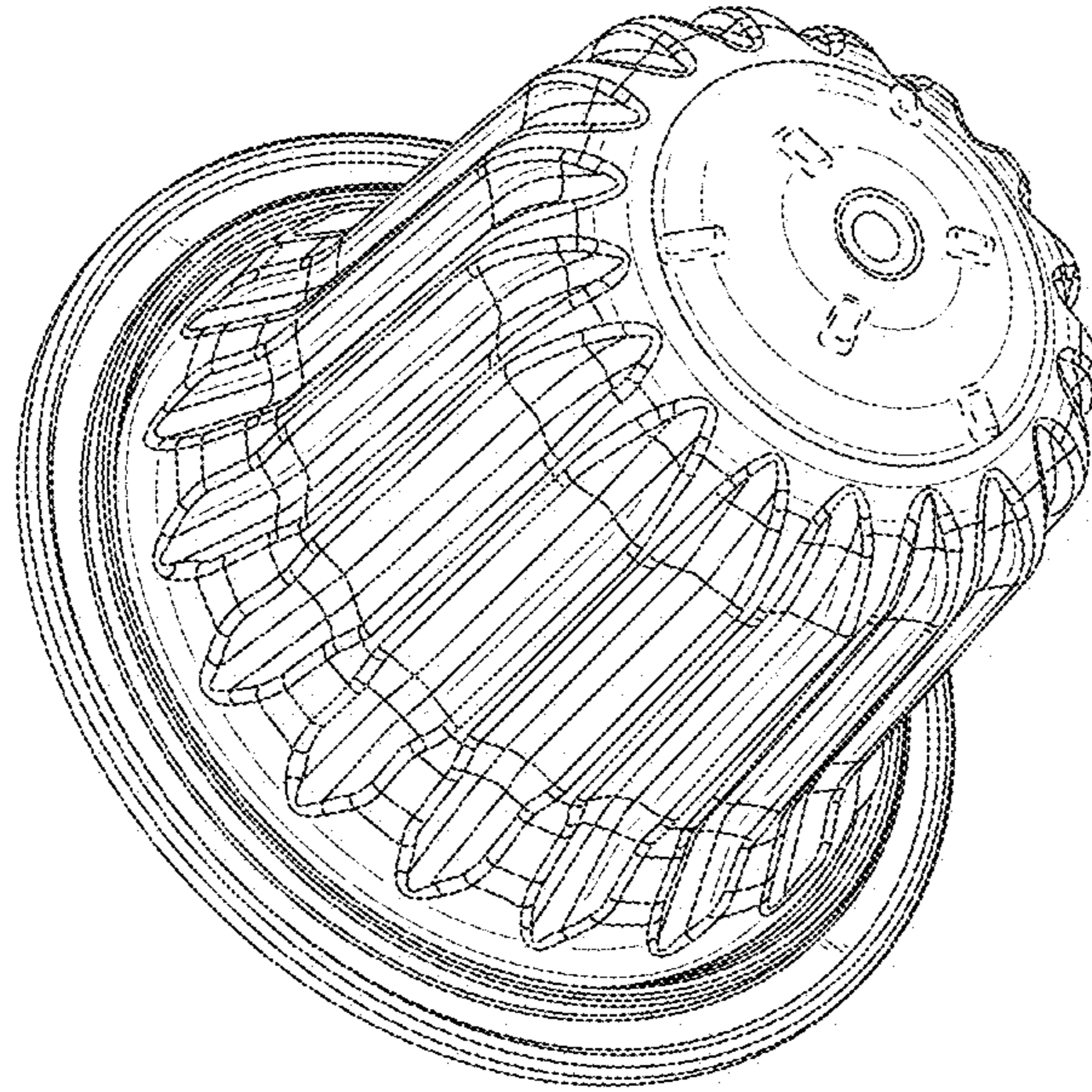


FIG. 1

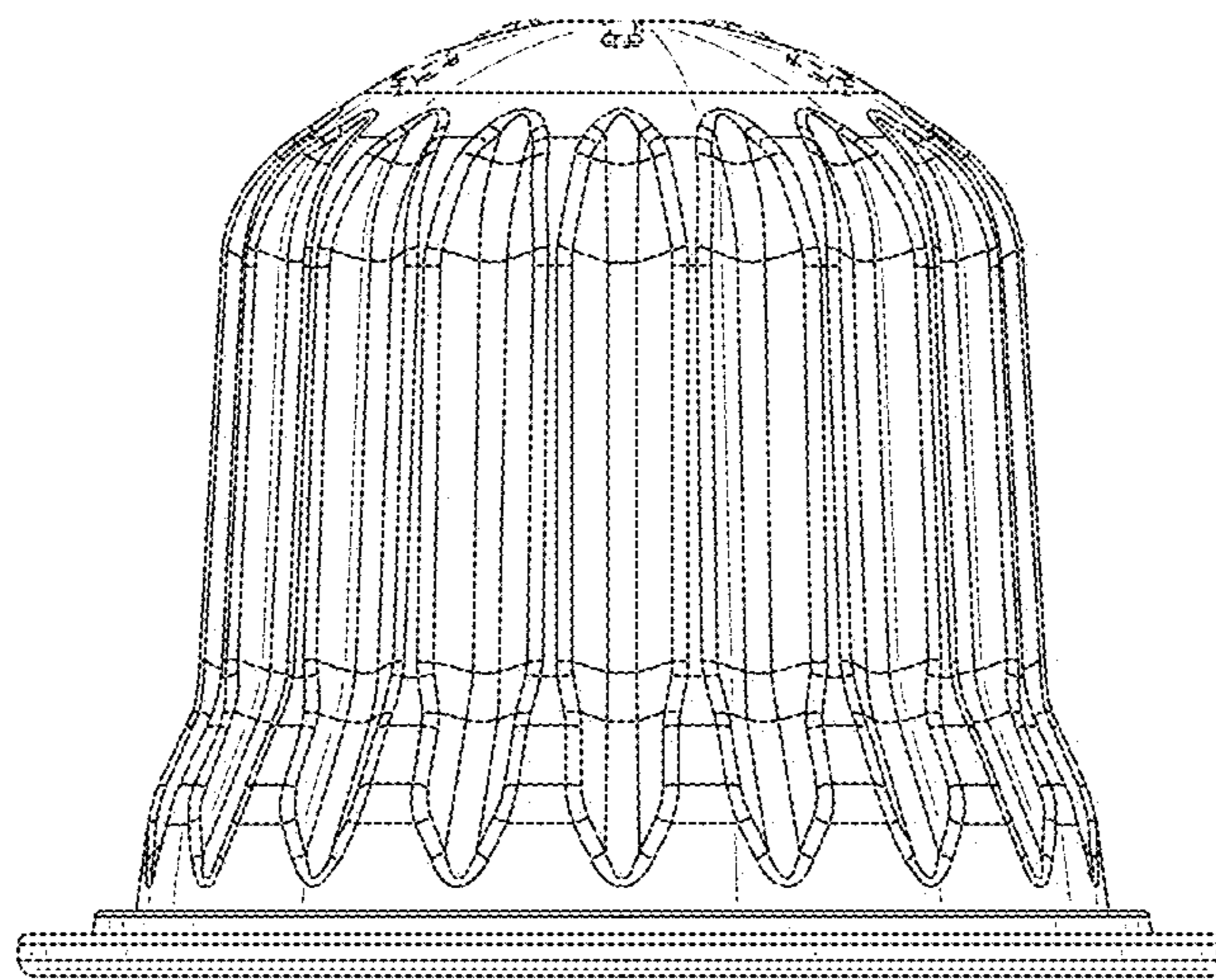


FIG. 2

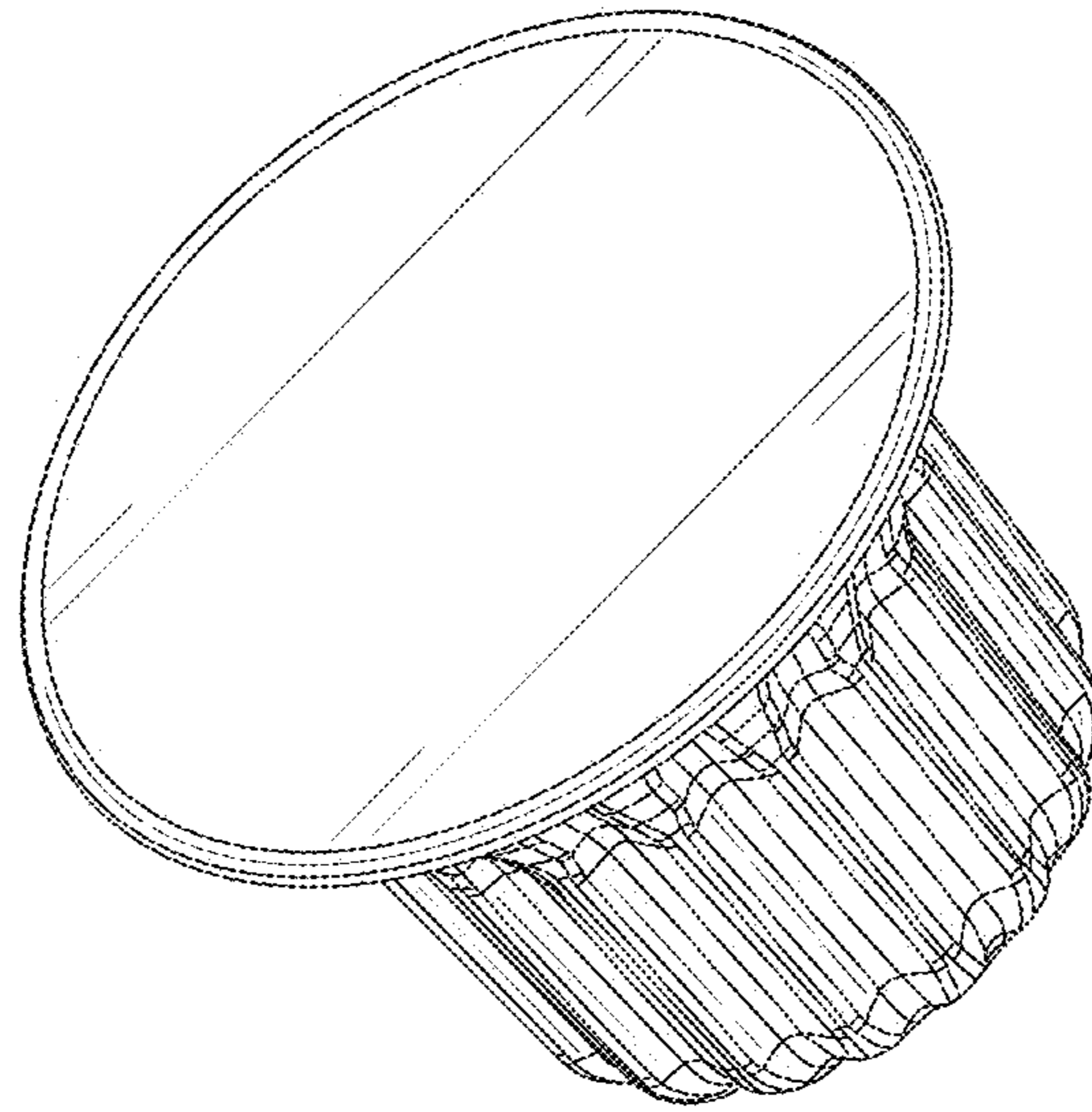


FIG. 3

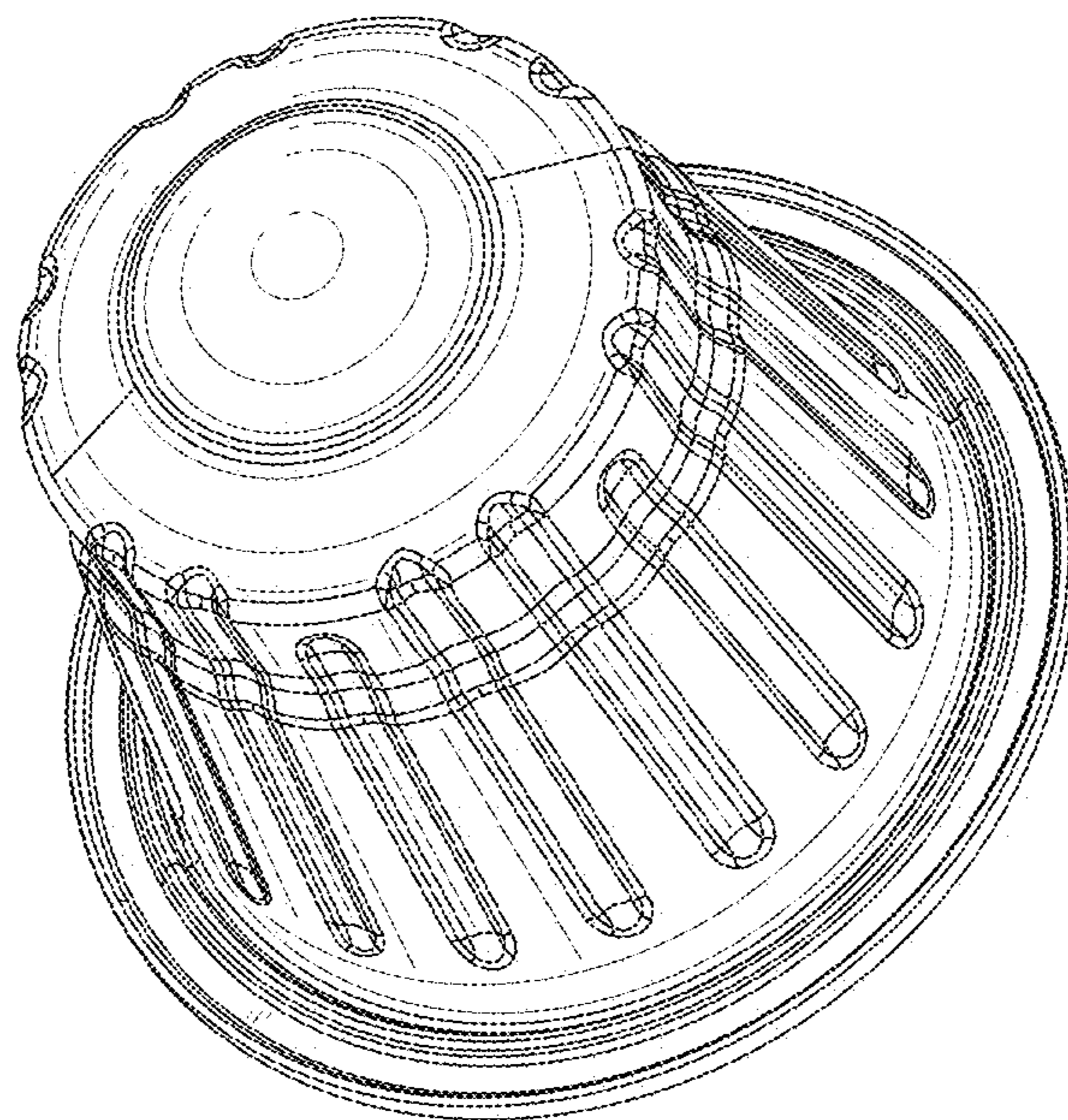


FIG. 4

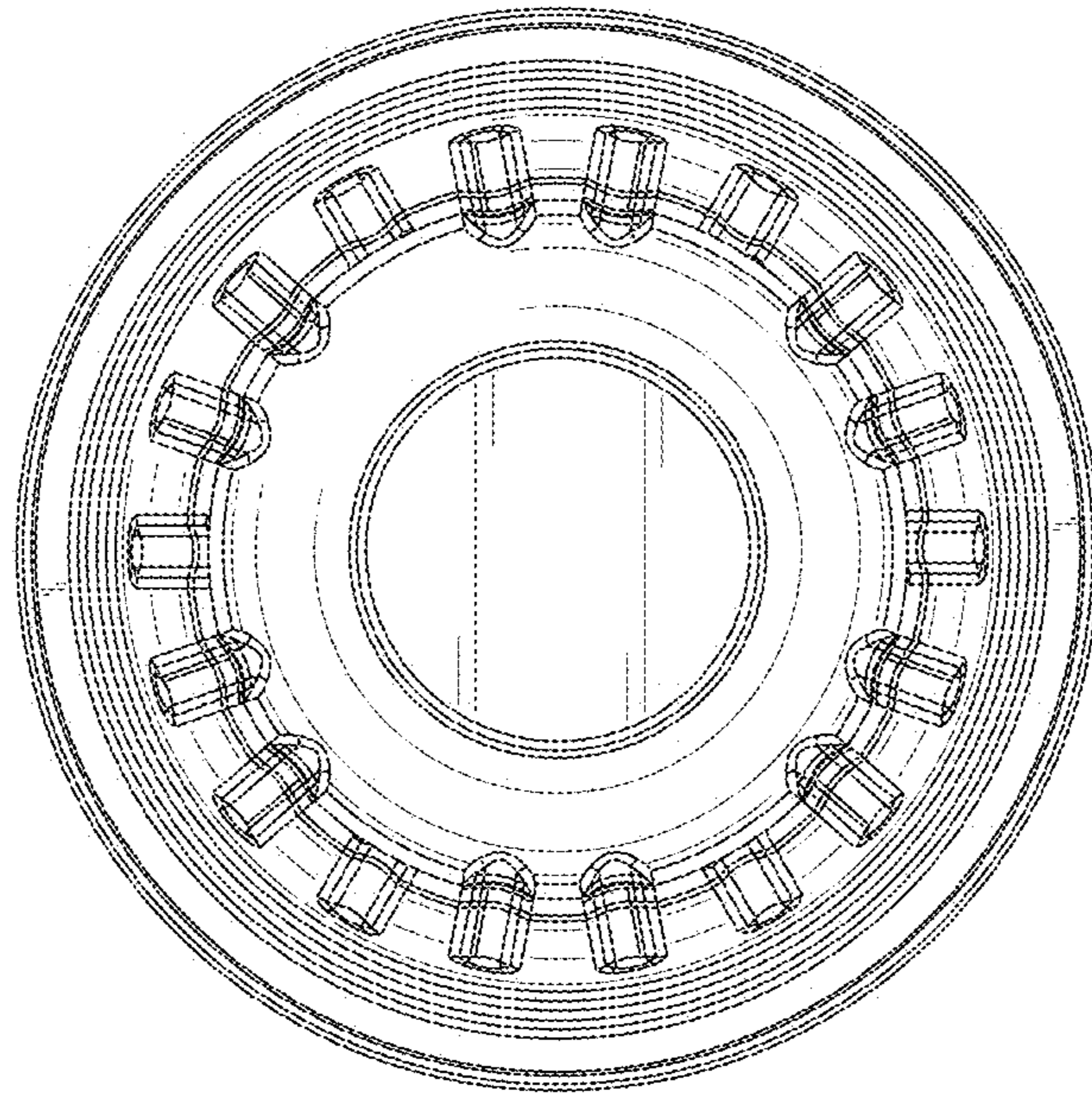


FIG. 5

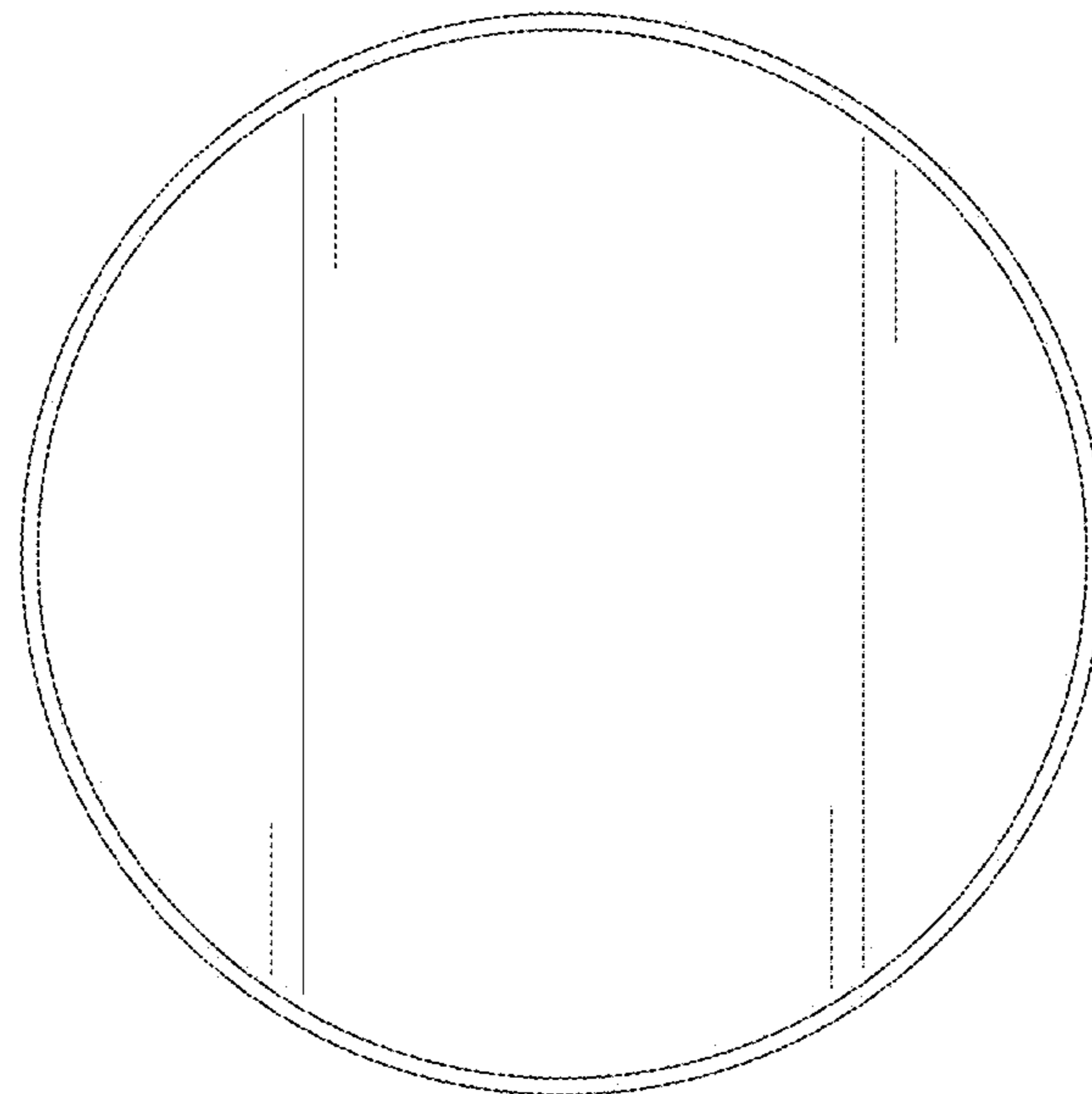


FIG. 6

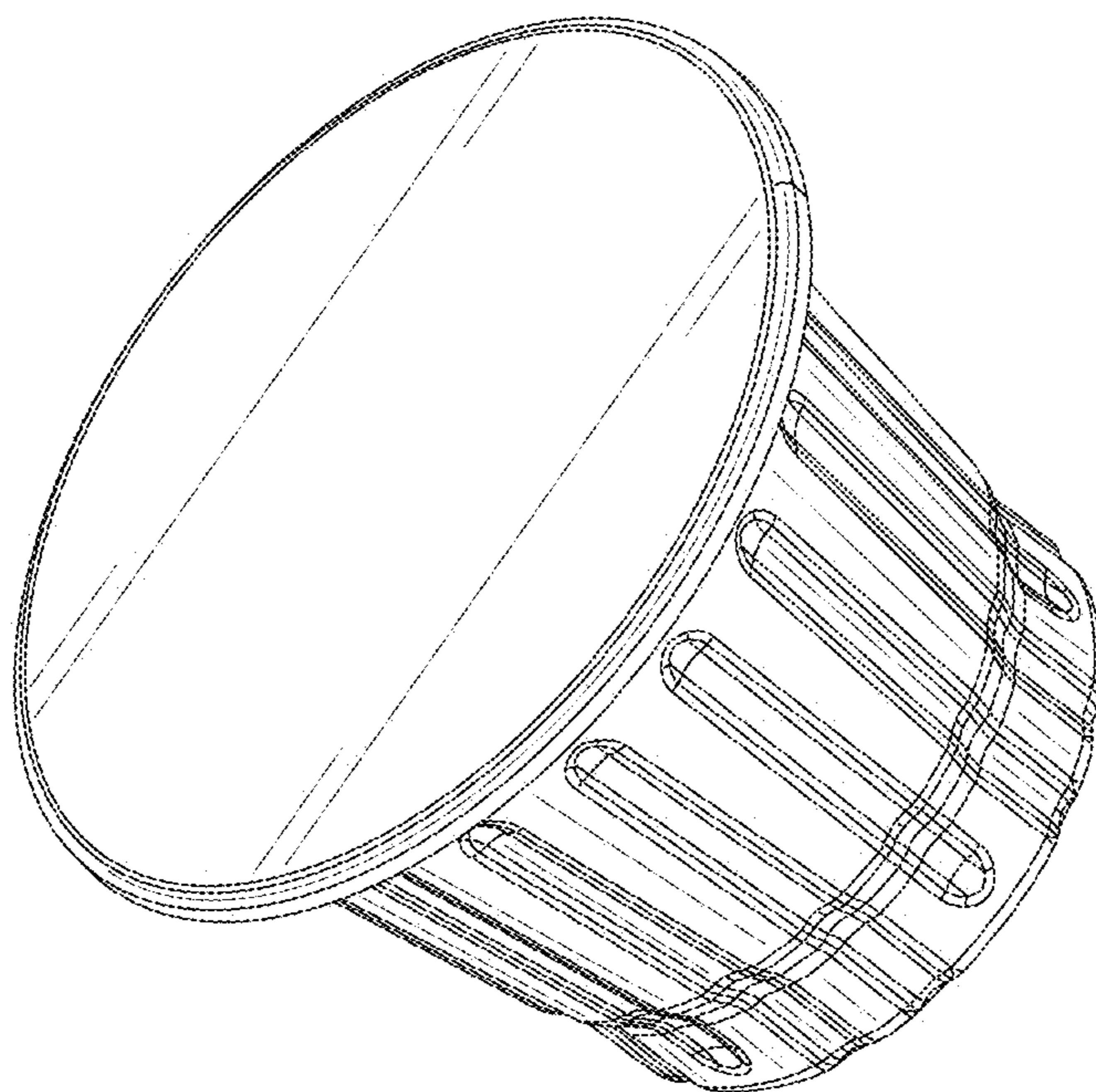


FIG. 7

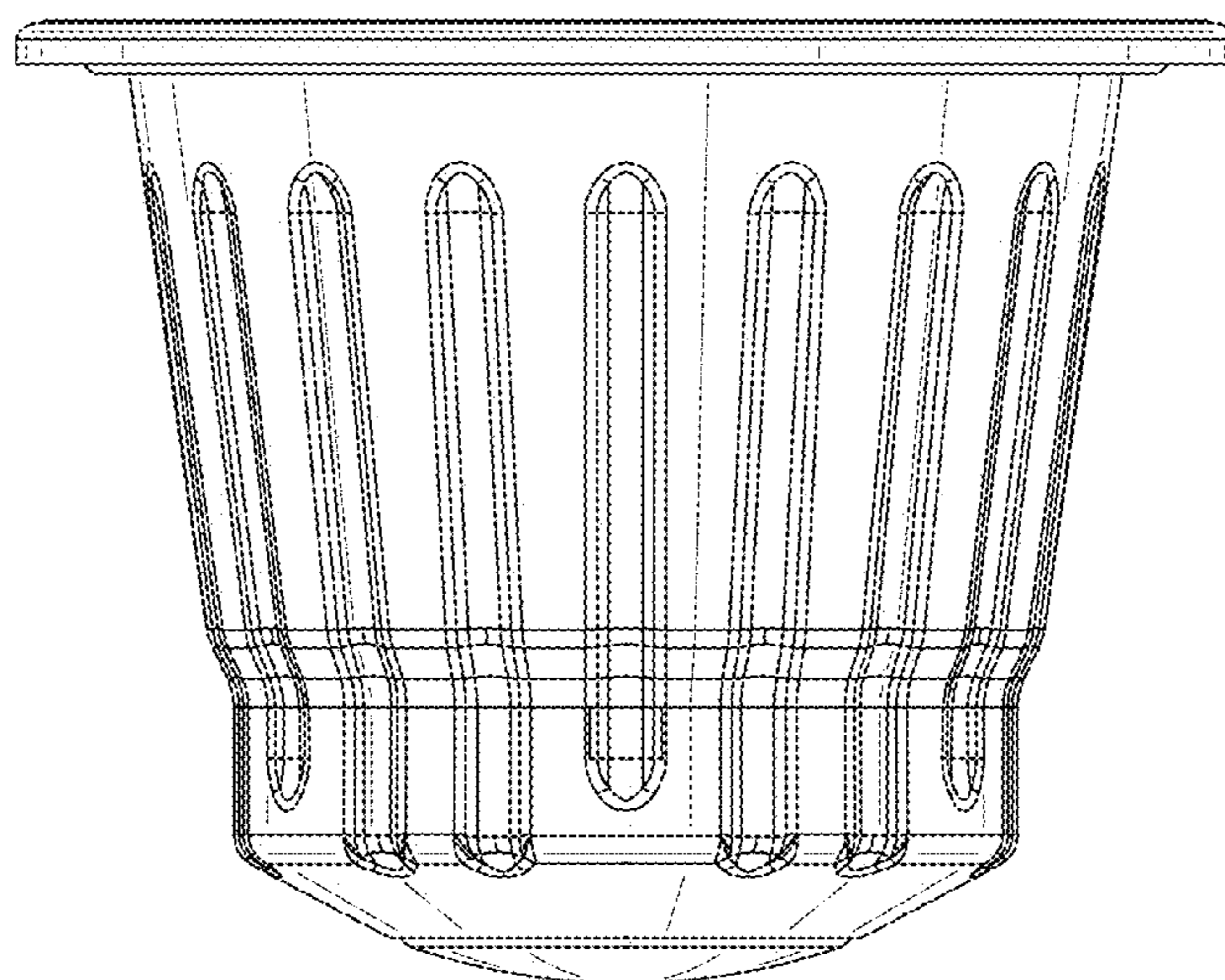


FIG. 8

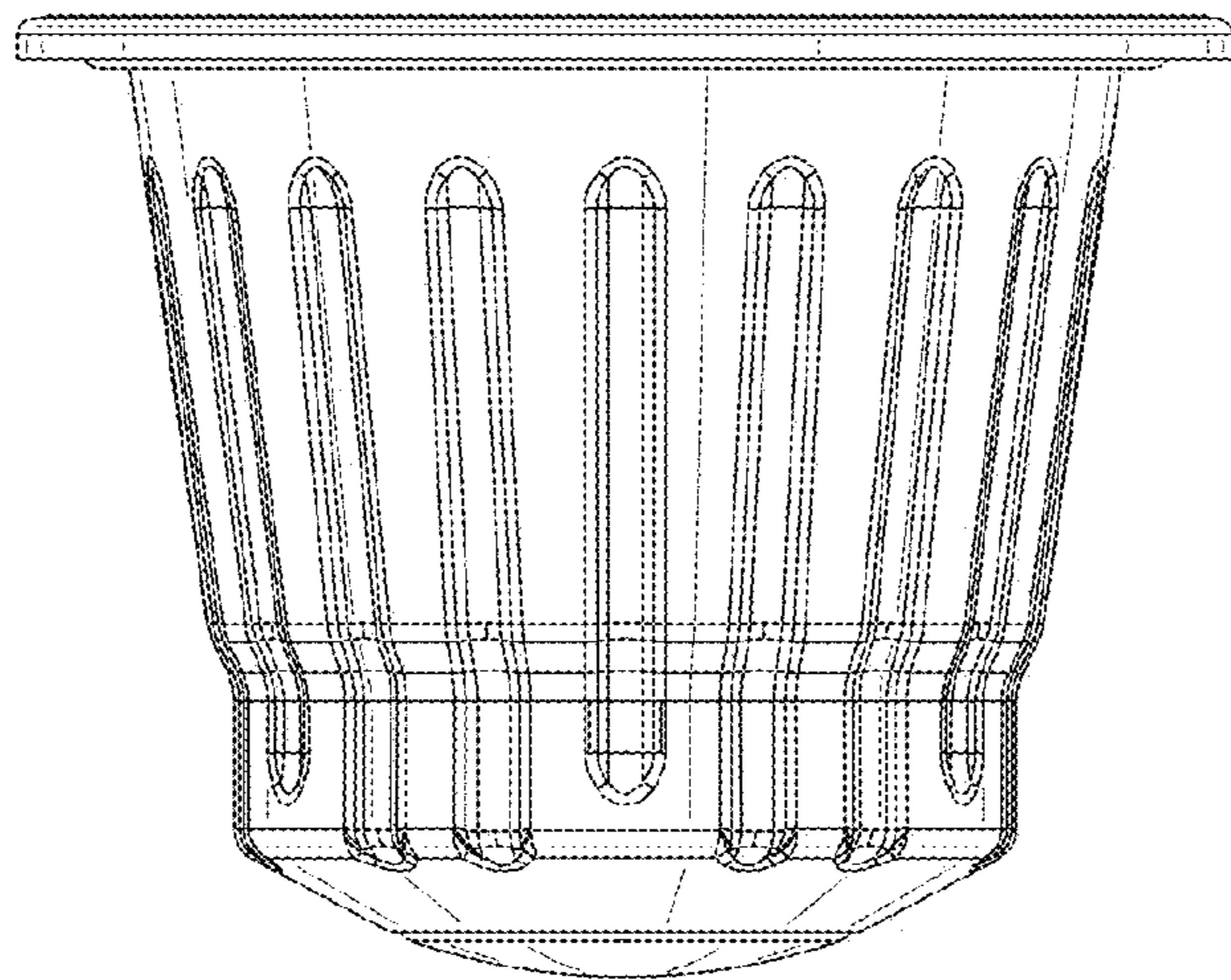


FIG. 9