



US00D745823S

(12) **United States Design Patent**  
**Liu**

(10) **Patent No.:** **US D745,823 S**

(45) **Date of Patent:** **\*\* Dec. 22, 2015**

(54) **BITS BOX**

(71) Applicant: **Yi-Feng Liu**, New Taipei (TW)

(72) Inventor: **Yi-Feng Liu**, New Taipei (TW)

(\*\*) Term: **14 Years**

(21) Appl. No.: **29/503,675**

(22) Filed: **Sep. 29, 2014**

(51) **LOC (10) Cl.** ..... **09-03**

(52) **U.S. Cl.**  
USPC ..... **D9/415**

(58) **Field of Classification Search**  
USPC ..... D9/415, 414, 420, 432, 418, 423;  
D3/293, 294, 273, 274, 282; D8/358;  
206/524.6, 469

CPC ..... B32B 27/08; B65D 75/366  
See application file for complete search history.

D653,533	S	*	2/2012	Brachman et al.	.....	D9/415
D656,008	S	*	3/2012	Meech et al.	.....	D9/415
D668,873	S	*	10/2012	Robinson et al.	.....	D3/293
D673,036	S	*	12/2012	Wolf	.....	D9/420
D681,950	S	*	5/2013	Deschenes et al.	.....	D3/294
D684,457	S	*	6/2013	Salow et al.	.....	D9/415
D694,095	S	*	11/2013	Chastain et al.	.....	D8/358
D696,935	S	*	1/2014	Vogl et al.	.....	D9/418
D701,755	S	*	4/2014	Fathollahi et al.	.....	D9/415
2005/0067318	A1	*	3/2005	Cesario	.....	206/524.6
2009/0184017	A1	*	7/2009	Doherty	.....	206/469

\* cited by examiner

*Primary Examiner* — Holly Baynham

*Assistant Examiner* — Rhea Shields

(74) *Attorney, Agent, or Firm* — Muncy, Geissler, Olds & Lowe, P.C.

(57) **CLAIM**

The ornamental design for a “bits box,” as shown and described.

(56) **References Cited**

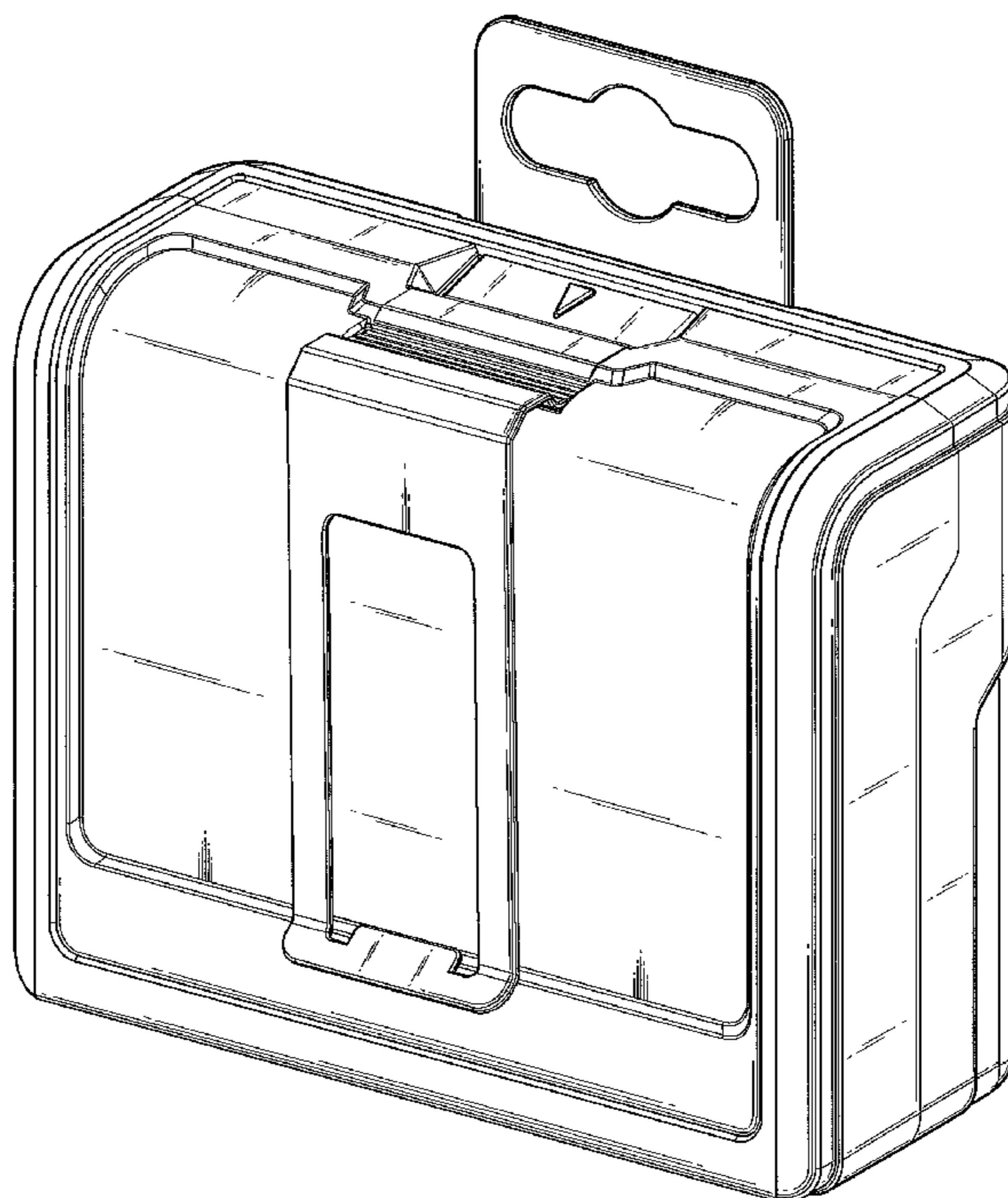
U.S. PATENT DOCUMENTS

D309,430	S	*	7/1990	Cramer	.....	D9/415
D362,802	S	*	10/1995	Lee	.....	D9/423
D394,952	S	*	6/1998	Wei	.....	D3/273
D398,844	S	*	9/1998	Oberloier	.....	D9/415
D436,531	S	*	1/2001	Holmes et al.	.....	D9/418
D437,778	S	*	2/2001	Voden et al.	.....	D9/418
D449,518	S	*	10/2001	Snider et al.	.....	D9/415
D470,047	S	*	2/2003	Lee et al.	.....	D9/415
D526,781	S	*	8/2006	Feldmann et al.	.....	D3/274
D613,944	S	*	4/2010	Molina	.....	D3/294
D617,556	S	*	6/2010	Molina et al.	.....	D3/282

**DESCRIPTION**

FIG. 1 is a perspective view of “bits box” showing my new design thereof;  
FIG. 2 shows that a front side elevation view thereof;  
FIG. 3 is a rear perspective view thereof;  
FIG. 4 is a left side elevation view thereof;  
FIG. 5 is a right side elevation view thereof;  
FIG. 6 is a top view thereof; and,  
FIG. 7 is a bottom plan view.

**1 Claim, 6 Drawing Sheets**



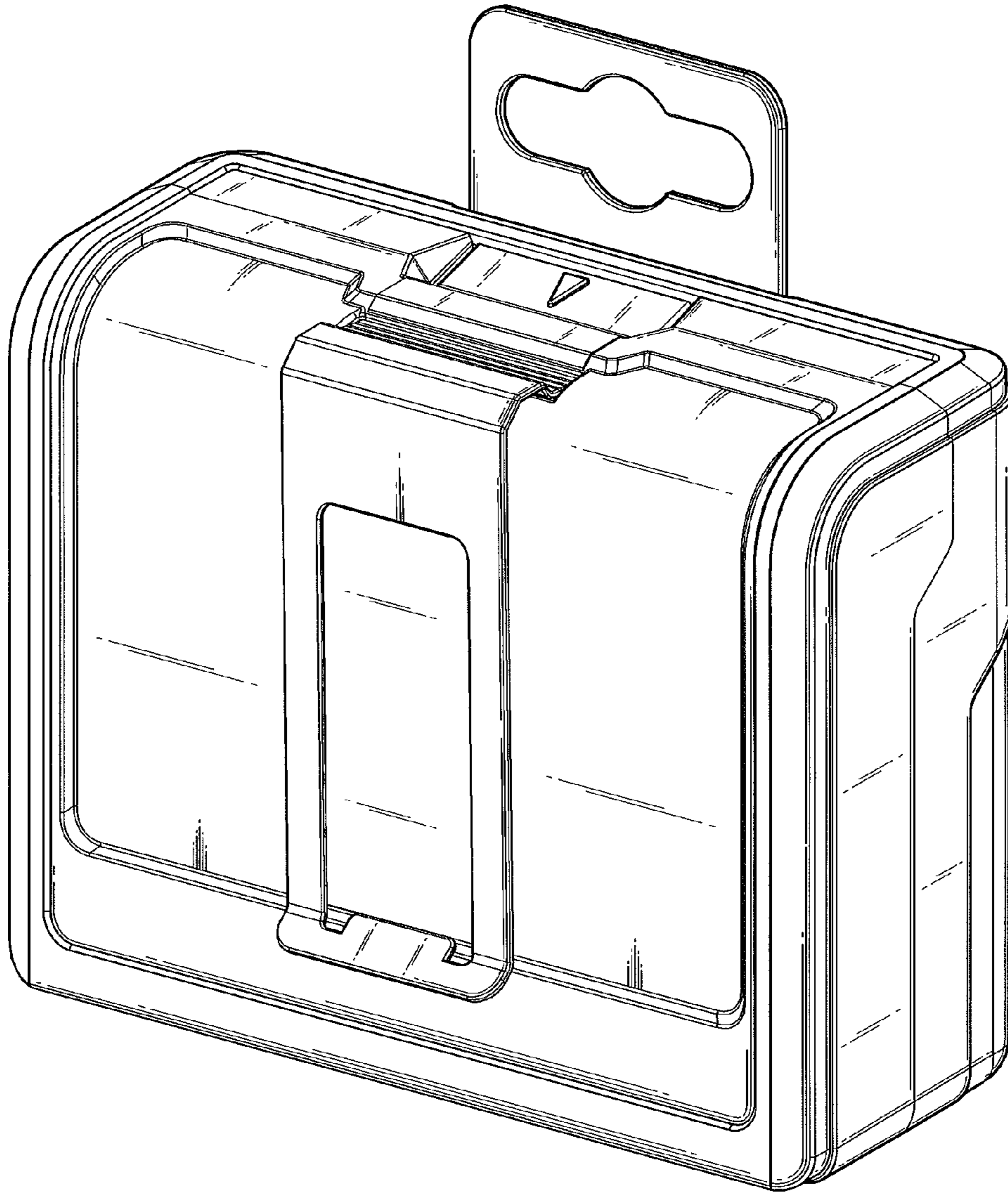


Fig . 1

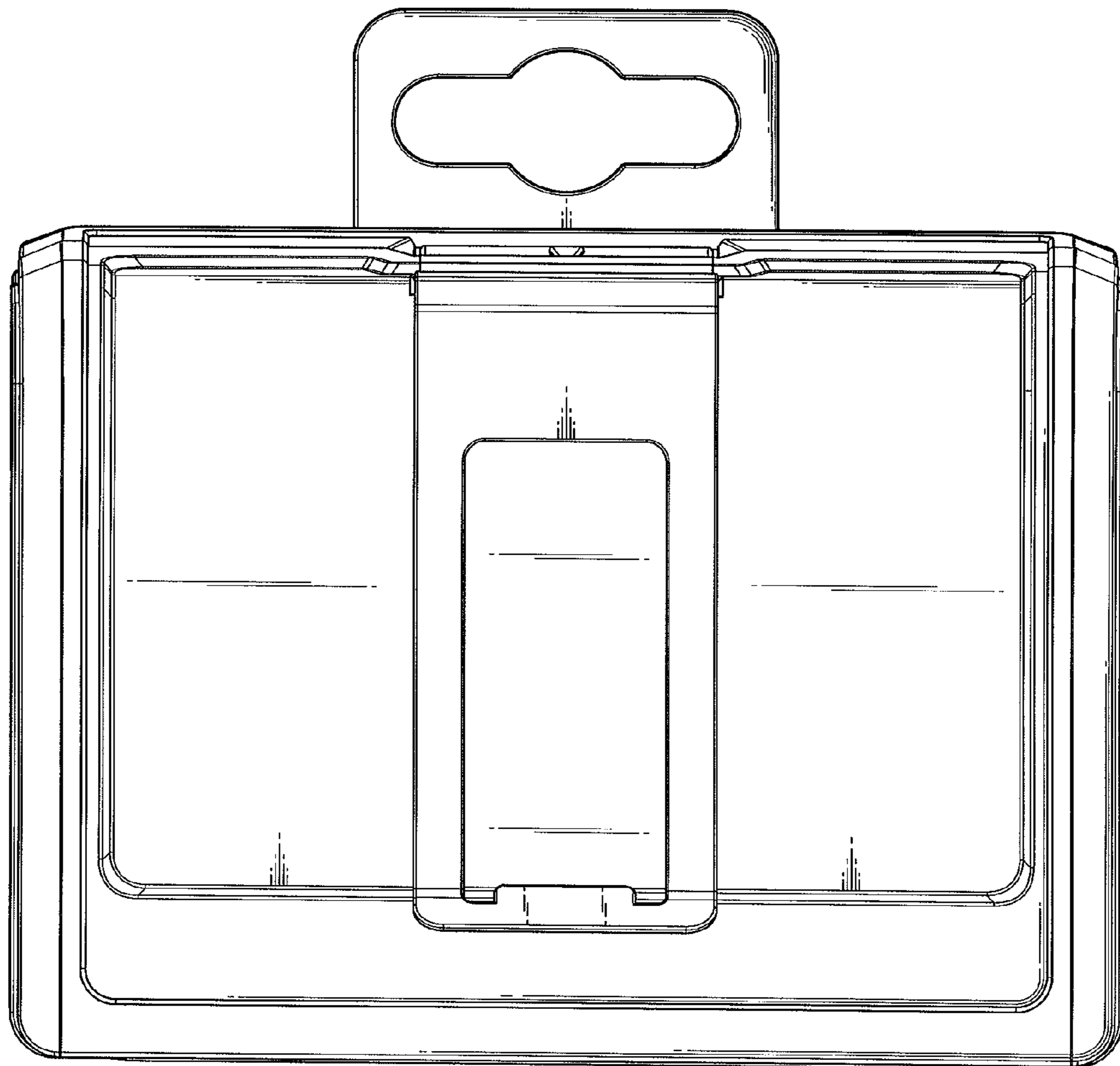


Fig . 2

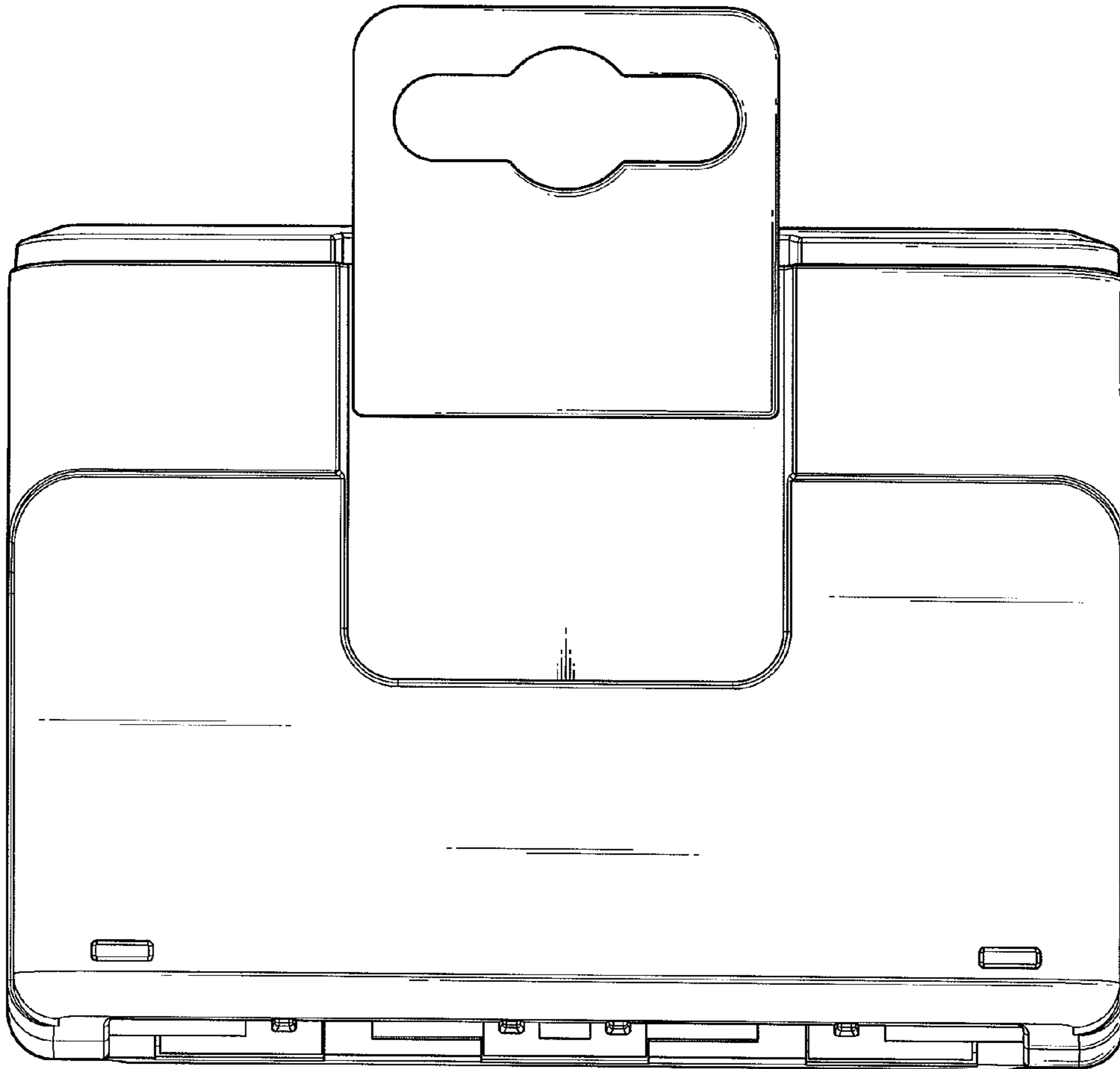


Fig . 3

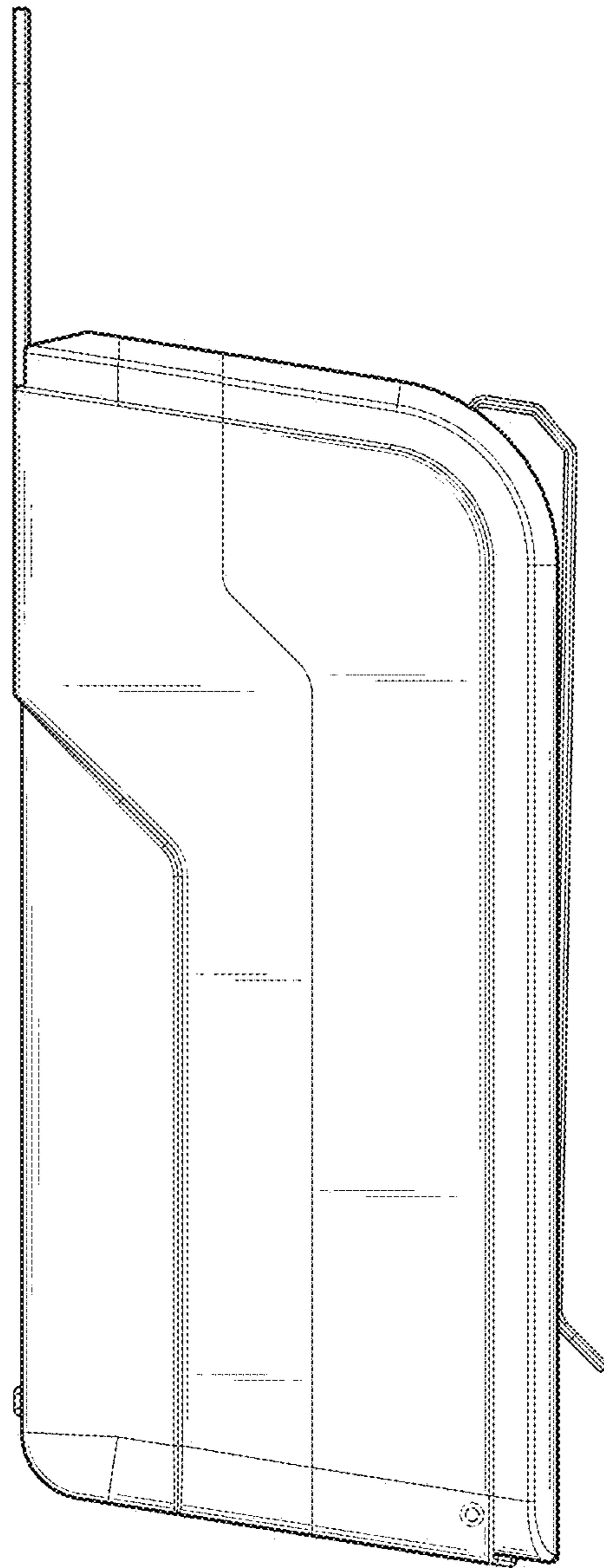


Fig . 4

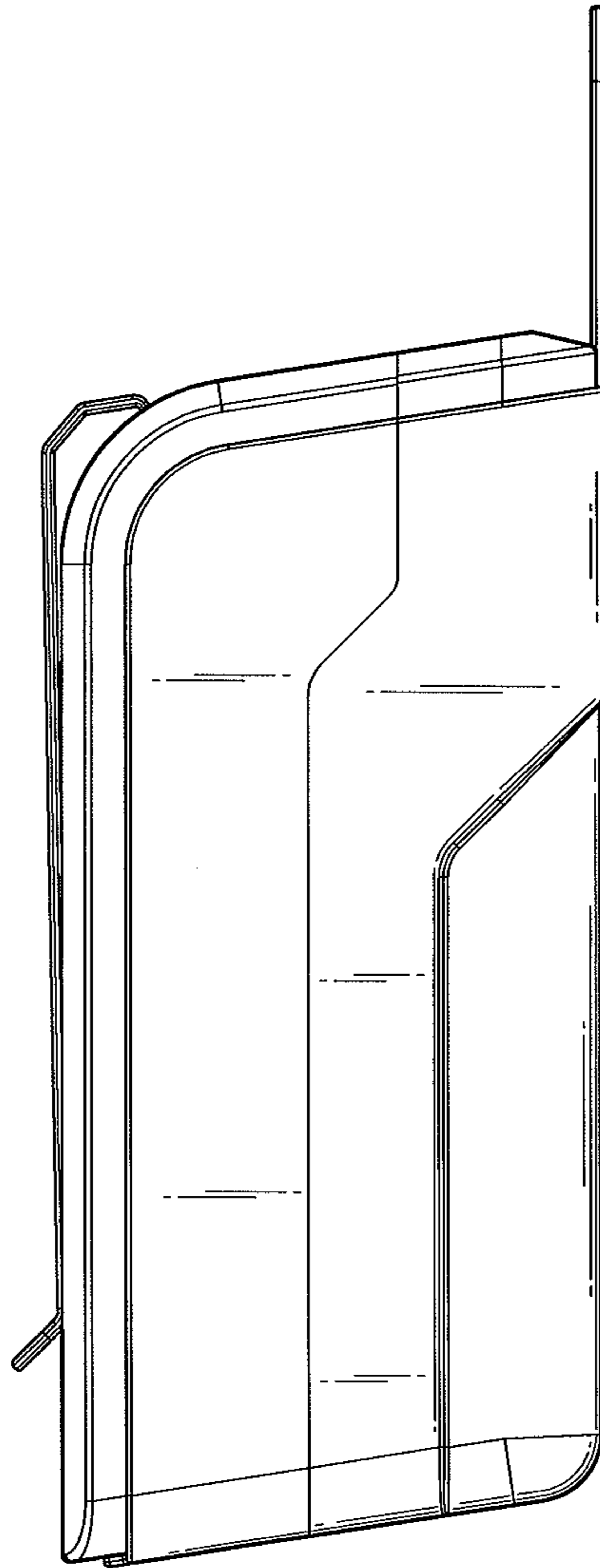


Fig . 5

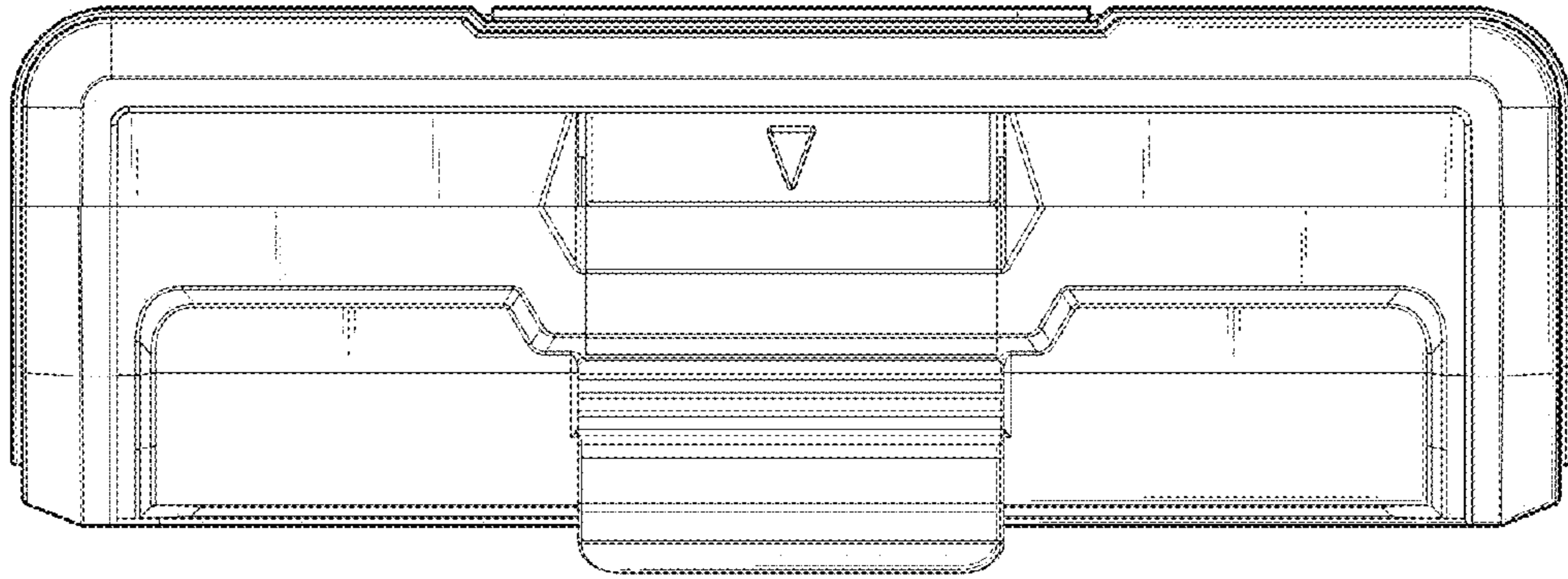


Fig . 6

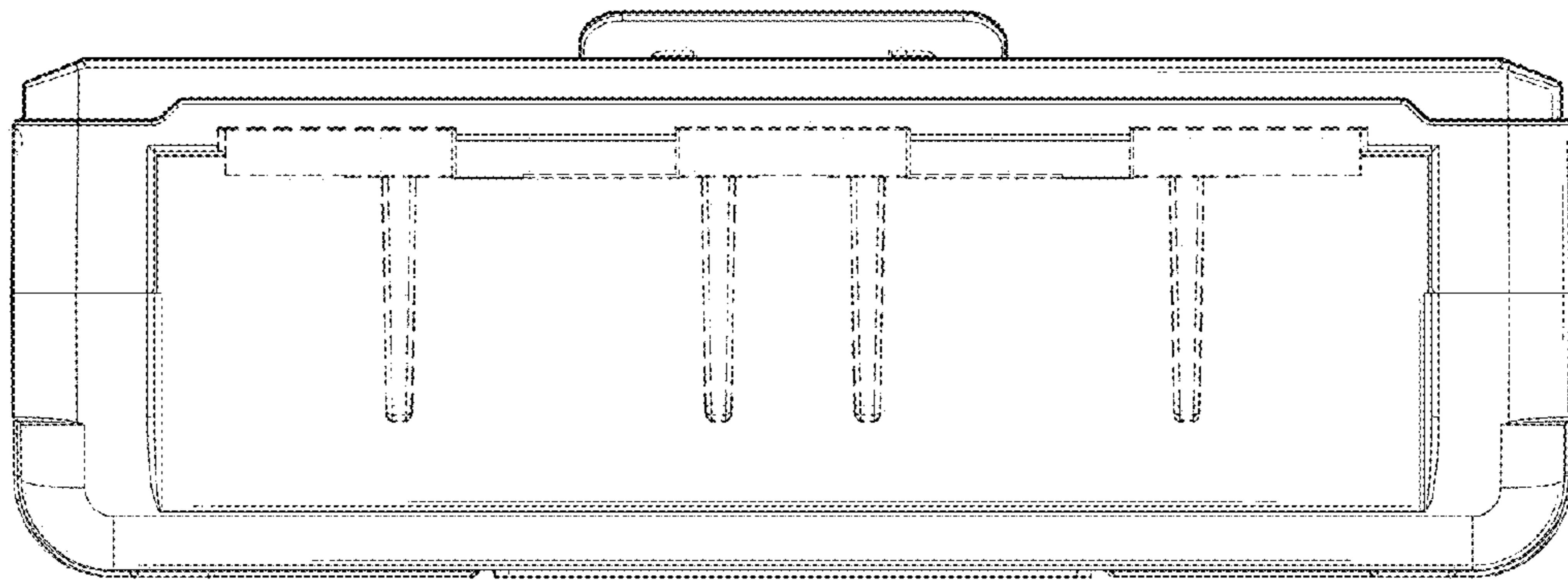


Fig . 7