



US00D745822S

(12) **United States Design Patent**
Somerfield

(10) **Patent No.:** **US D745,822 S**
(45) **Date of Patent:** **** Dec. 22, 2015**

- (54) **CLAMPING ASSEMBLY**
- (71) Applicant: **Gripple Limited**, Sheffield (GB)
- (72) Inventor: **Alan Somerfield**, Sheffield (GB)
- (73) Assignee: **Gripple Limited**, Sheffield (GB)
- (**) Term: **14 Years**
- (21) Appl. No.: **29/470,373**
- (22) Filed: **Oct. 21, 2013**
- (51) **LOC (10) Cl.** **08-08**
- (52) **U.S. Cl.**
USPC **D8/394**
- (58) **Field of Classification Search**
USPC D8/394-396, 72-73, 499, 354-355,
D8/307, 346, 360.1, 365, 44
See application file for complete search history.

(56) **References Cited**

U.S. PATENT DOCUMENTS

129,672	A *	7/1872	Maranville	126/70
180,126	A *	7/1876	Hardy	403/371
373,789	A *	11/1887	Trolvillion	24/136 R
1,389,859	A *	9/1921	Chronister	24/136 L
2,859,424	A *	11/1958	Berndt	439/788
3,143,205	A *	8/1964	Ruderian	206/543
3,254,680	A *	6/1966	Caveney et al.	140/93.2
3,490,799	A *	1/1970	Shreeve	403/3
4,215,785	A *	8/1980	Schwaiger	215/11.6
D295,811	S *	5/1988	Larsson	D6/326
4,997,433	A *	3/1991	Goble et al.	606/64
D377,311	S *	1/1997	Stiegler	D8/396
D378,659	S *	4/1997	Blennov	D8/396
6,461,071	B1 *	10/2002	Kanemura	403/24
D471,819	S *	3/2003	Paul et al.	D9/524

7,971,883	B2 *	7/2011	Soroka et al.	279/2.04
8,047,546	B1 *	11/2011	Klein	273/406
8,474,648	B1 *	7/2013	Ritzen	220/592.17
D730,119	S *	5/2015	He	D7/507
2004/0002735	A1 *	1/2004	Lizardi et al.	606/232
2007/0251068	A1 *	11/2007	Stojanovski	29/33 K

FOREIGN PATENT DOCUMENTS

CN	300726779	*	1/2008
WO	WO D020191-007	*	9/1991

OTHER PUBLICATIONS

Non-slip PP Baby Bottle With Training Handle, website copyright 2011, online, <http://sell.pakuya.com/product-info/23733/120mL-Non-slip-PP-Baby-Bottle-With-Training-Handle-.html>, site visited [Jul. 2, 2015 5:51:23 PM].*

* cited by examiner

Primary Examiner — John Windmuller

Assistant Examiner — John R Yeh

(74) *Attorney, Agent, or Firm* — Clark Hill PLC; James R. Foley

(57) **CLAIM**

The ornamental design for a clamping assembly, as shown and described.

DESCRIPTION

FIG. 1 is a front view of the clamping assembly;
FIG. 2 is a rear view thereof;
FIG. 3 is a top view thereof;
FIG. 4 is a bottom view thereof;
FIG. 5 is a left side view thereof;
FIG. 6 is a right side view thereof; and,
FIG. 7 is a perspective view thereof.

1 Claim, 7 Drawing Sheets

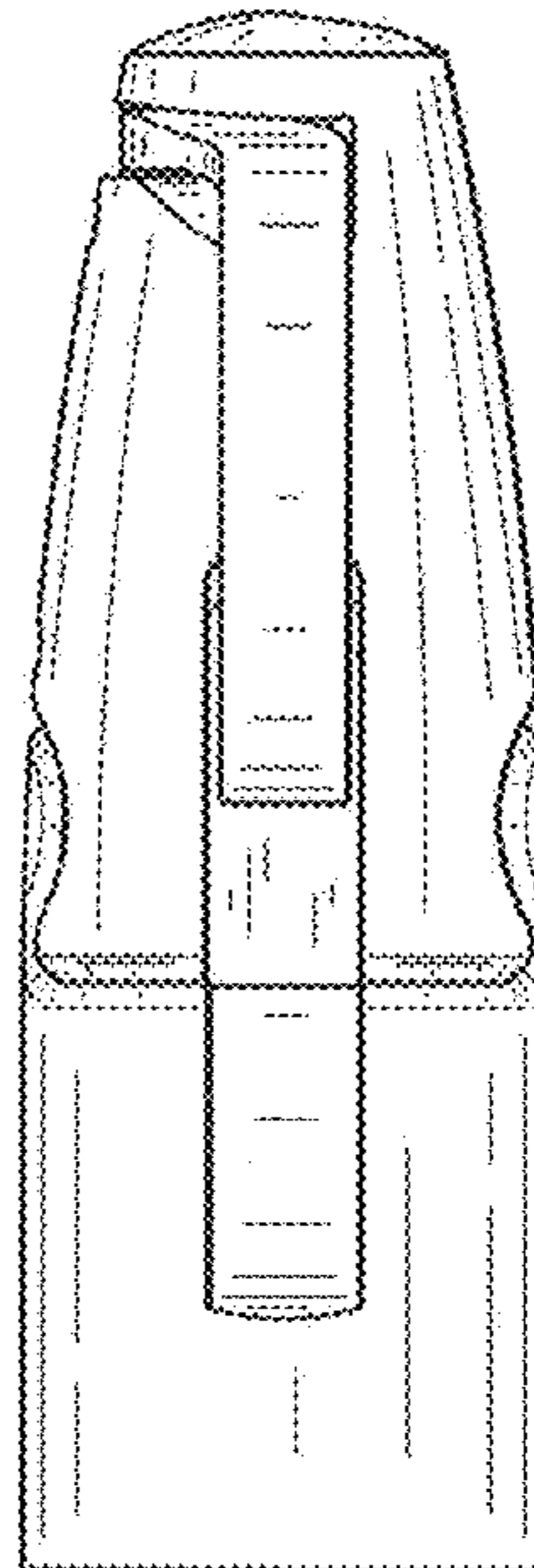
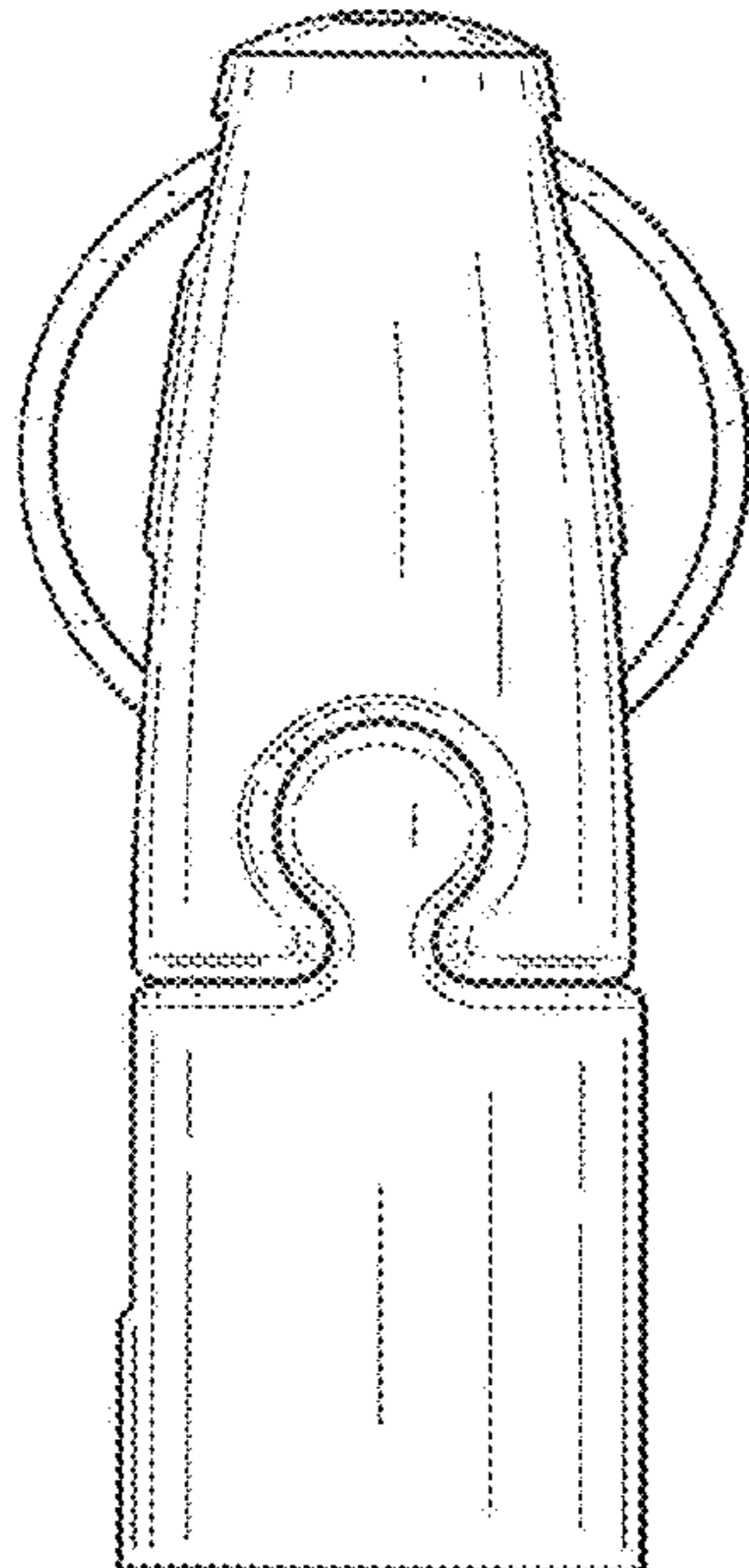


FIG. 1

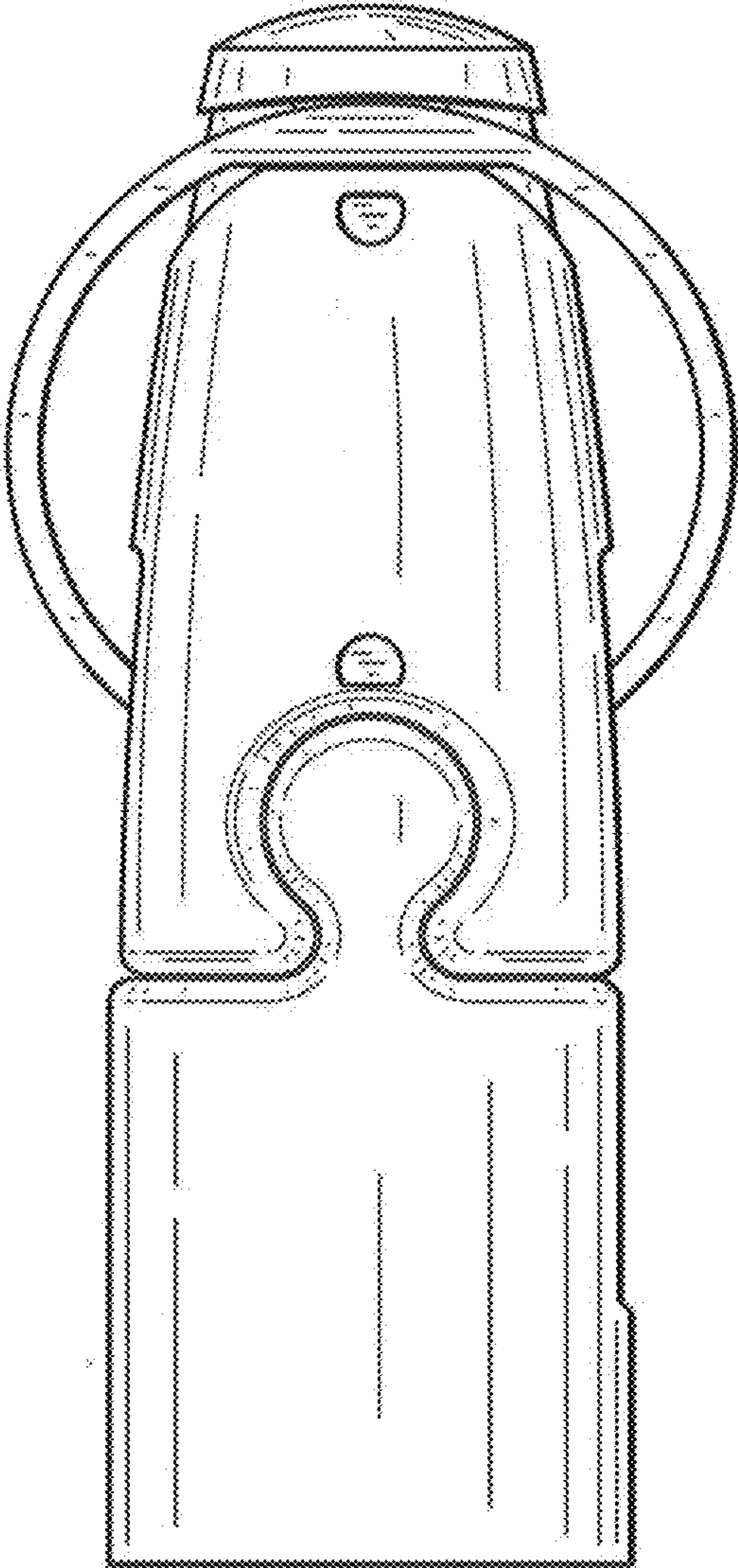


FIG. 2

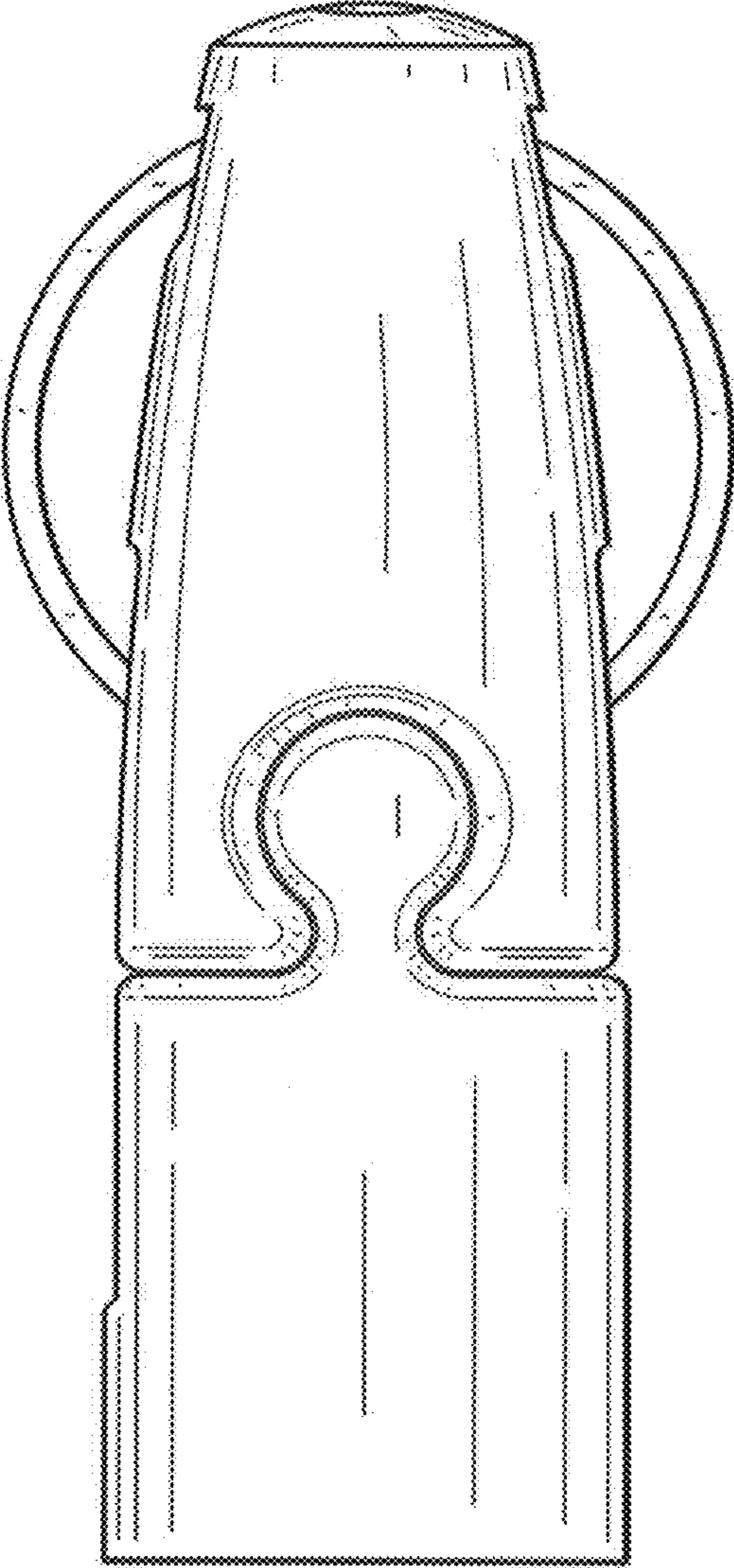


FIG. 3

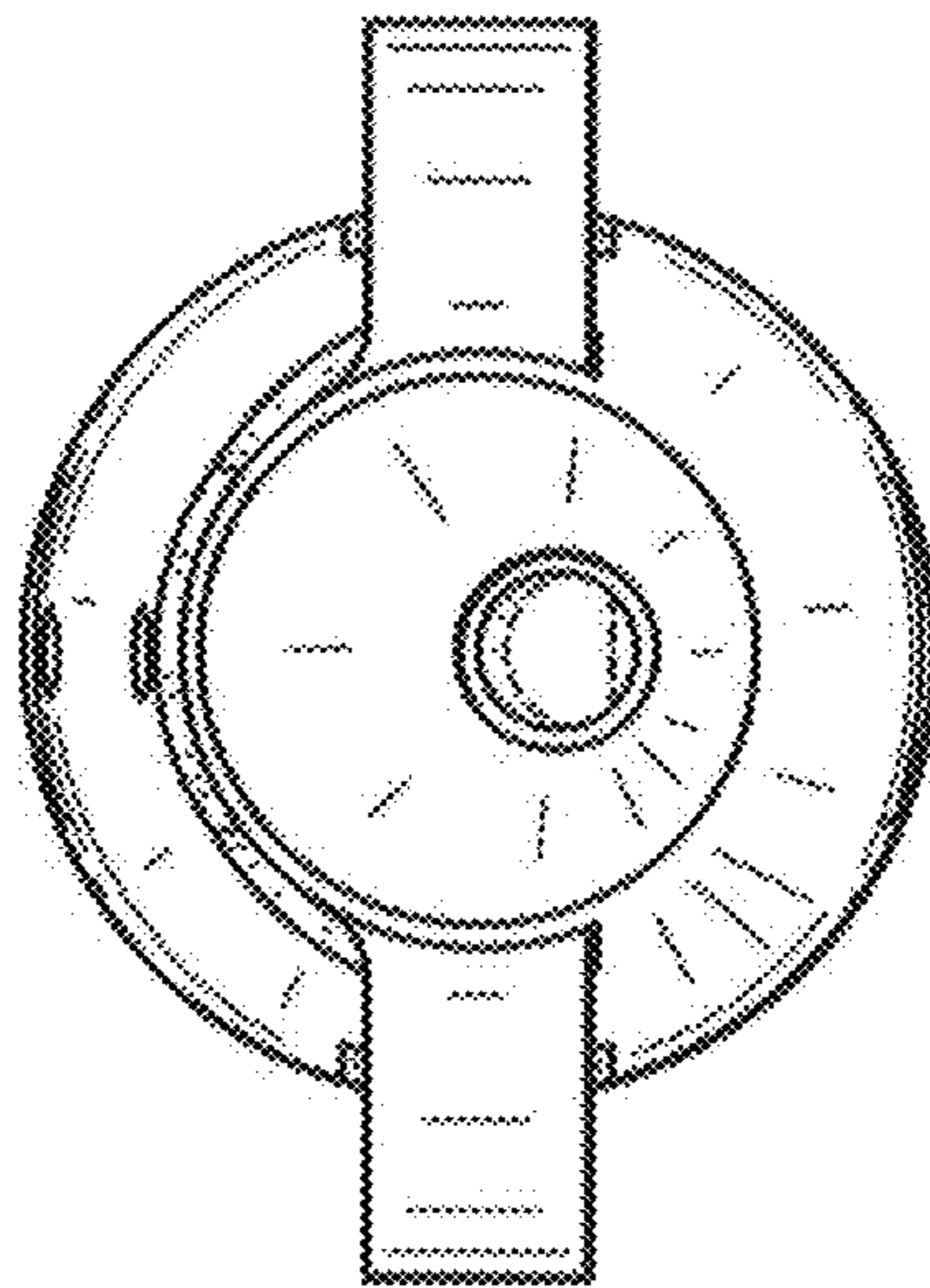


FIG. 4

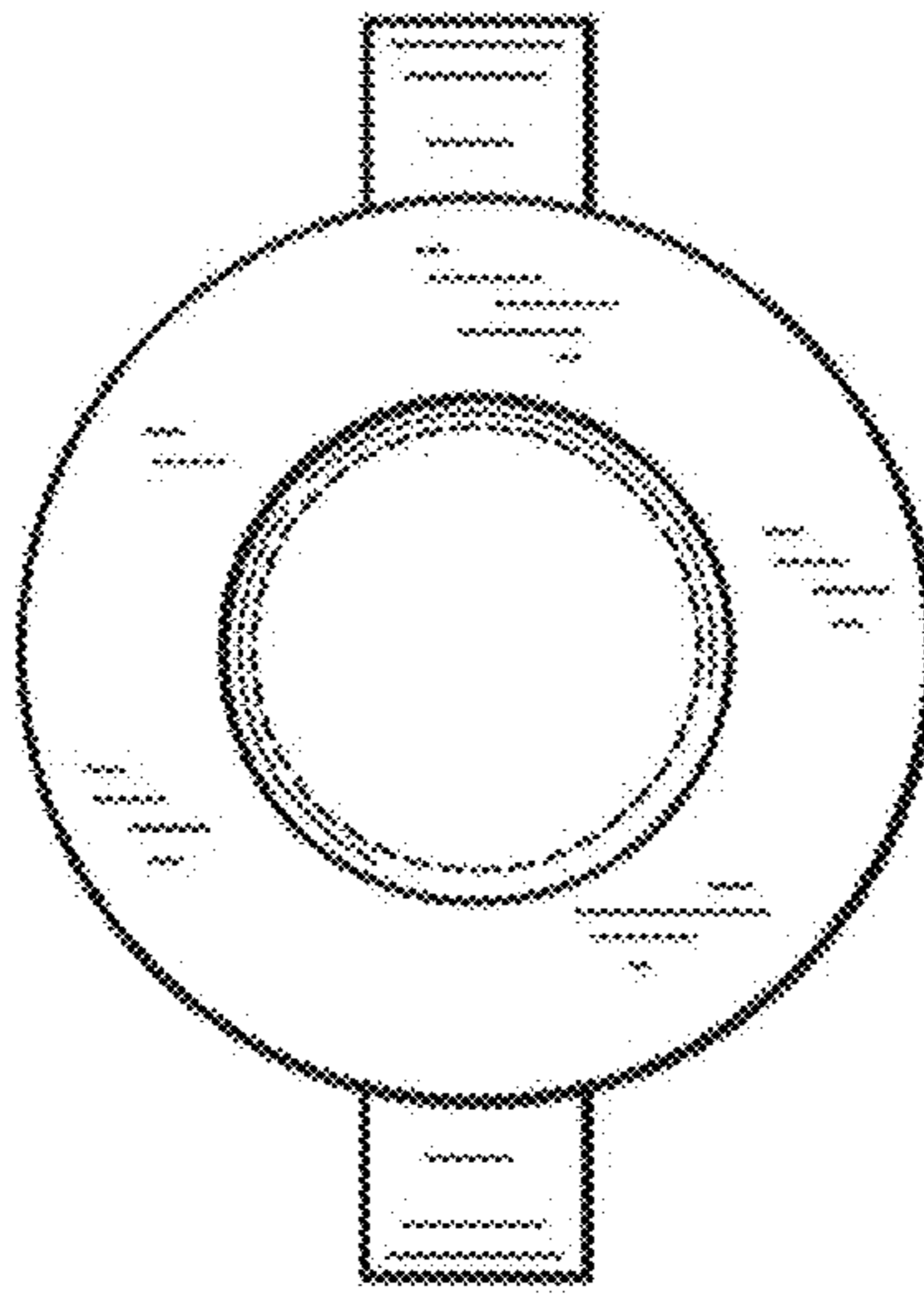


FIG. 5

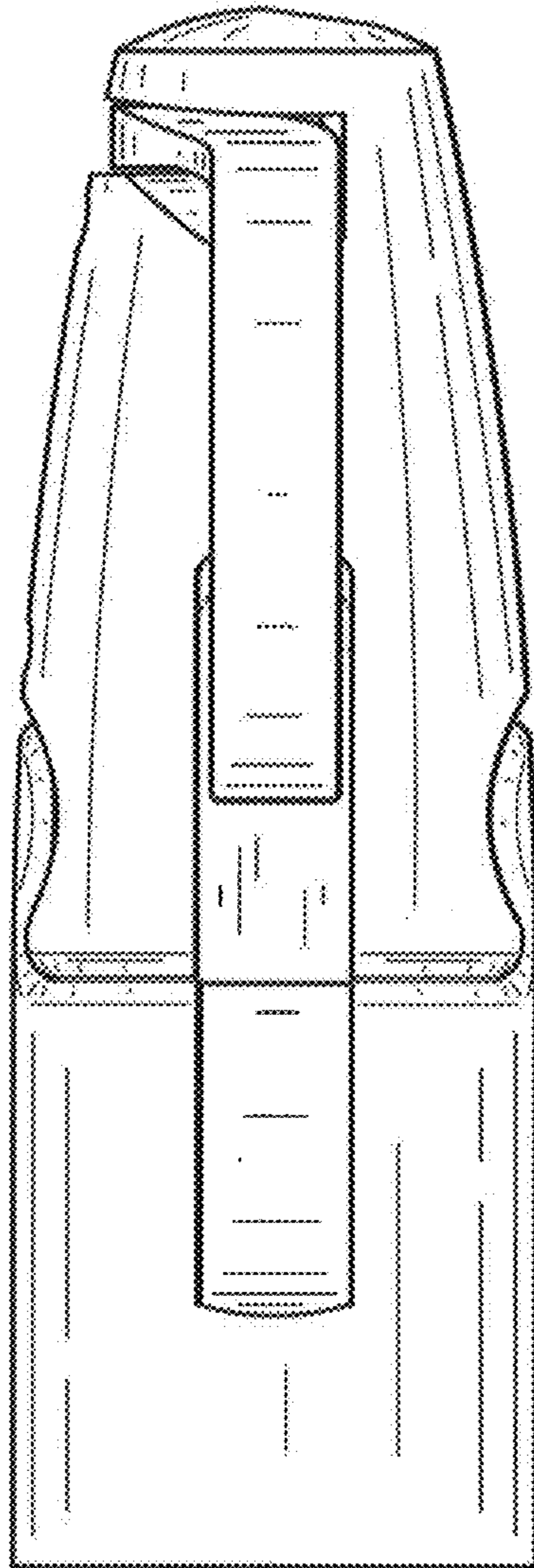


FIG. 6

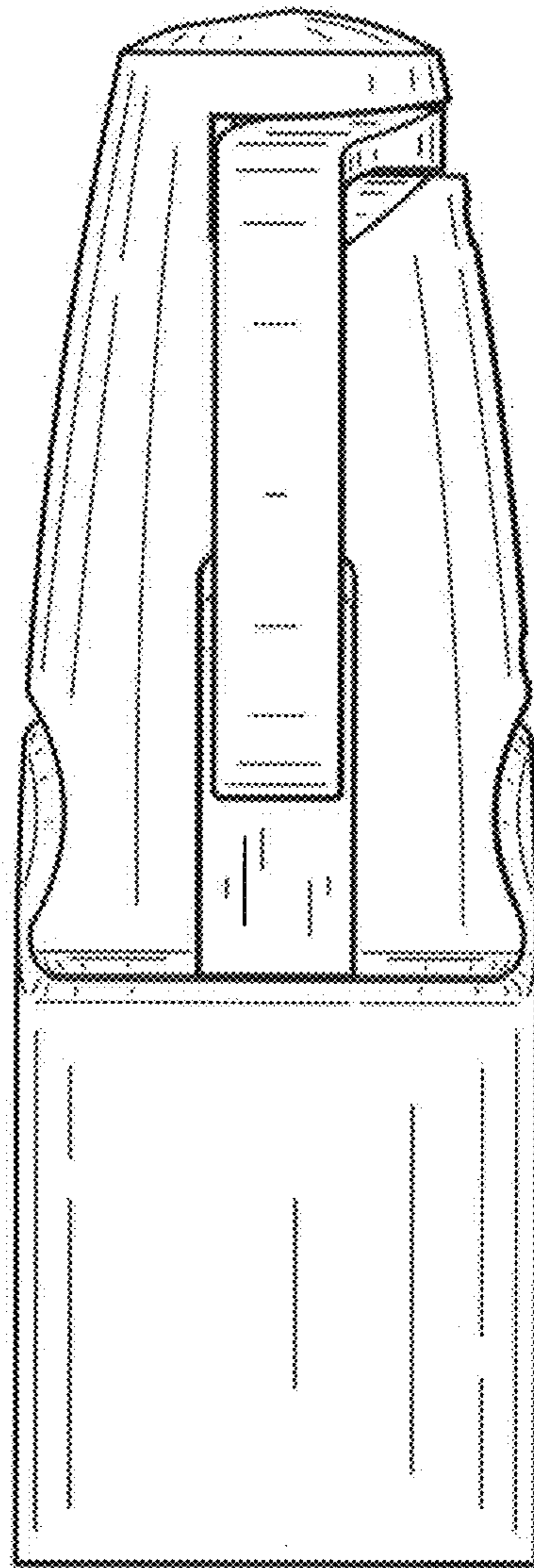


FIG. 7

