



US00D745821S

(12) **United States Design Patent**
Lohmann

(10) **Patent No.:** **US D745,821 S**

(45) **Date of Patent:** **** Dec. 22, 2015**

(54) **KEYHOLE COVER**

(71) Applicant: **BLUCHER METAL A/S**, Vildbjerg
(DK)

(72) Inventor: **Hans Lohmann**, Soro (DK)

(73) Assignee: **BLUCHER METAL A/S**, Vildbjerg
(DK)

(**) Term: **14 Years**

(21) Appl. No.: **29/520,541**

(22) Filed: **Mar. 16, 2015**

Related U.S. Application Data

(62) Division of application No. 29/432,752, filed on Sep. 20, 2012, now Pat. No. Des. 739,209.

(30) **Foreign Application Priority Data**

Mar. 21, 2012 (EM) 002012369-0001
Mar. 21, 2012 (EM) 002012369-0002

(51) **LOC (10) Cl.** **11-05**

(52) **U.S. Cl.**
USPC **D8/351**

(58) **Field of Classification Search**
USPC D8/14, 330, 349, 350, 351, 352, 354,
D8/355, 356, 367, 382, 383, 395;
D23/205, 249, 260, 261
CPC E05B 17/00; E05B 17/185; E05B 17/186
See application file for complete search history.

(56) **References Cited**

U.S. PATENT DOCUMENTS

D119,892 S 4/1940 Ressinger
D249,481 S * 9/1978 Conforti et al. D10/106.5
4,134,162 A 1/1979 Sharland et al.
4,236,822 A 12/1980 Jaretsky et al.

D261,997 S * 11/1981 Westphal D10/106.5
D262,952 S * 2/1982 Hanig D10/106.5
D283,407 S * 4/1986 Fenne D10/106.5
D300,238 S 3/1989 Kohler et al.
D308,835 S * 6/1990 Fenne D10/106.1
D356,050 S 3/1995 Tice et al.
D372,417 S 8/1996 Jimenez
D376,815 S 12/1996 Vermillion
D382,825 S * 8/1997 Amleshi D10/106.5
D408,268 S 4/1999 Dunn
D436,022 S 1/2001 Arnold
D446,741 S * 8/2001 Johnson et al. D10/106.5
D465,989 S 11/2002 Carsello et al.
D505,632 S * 5/2005 Johnson et al. D10/106.5
D513,167 S 12/2005 Groff et al.

(Continued)

OTHER PUBLICATIONS

Official Action for U.S. Appl. No. 29/432,752, mailed Feb. 11, 2015, 6 pages.

(Continued)

Primary Examiner — Eric Goodman
Assistant Examiner — Bao-Yen Nguyen
(74) *Attorney, Agent, or Firm* — Sheridan Ross PC

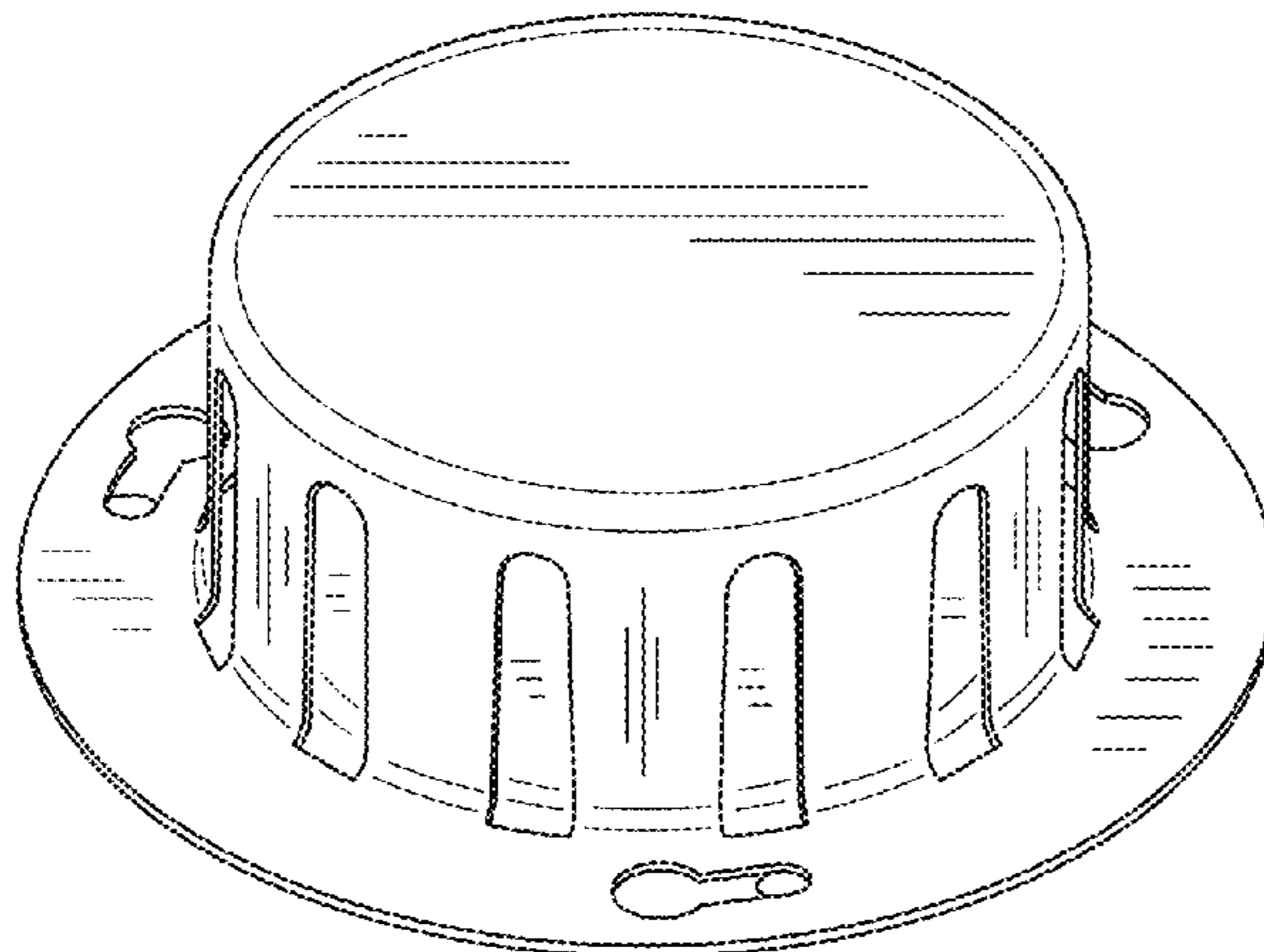
(57) **CLAIM**

The ornamental design for a keyhole cover, as shown and described.

DESCRIPTION

FIG. 1 is a perspective view of a keyhole cover showing my new design;
FIG. 2 is a front elevation view of FIG. 1, a rear elevation view being a mirror image thereof;
FIG. 3 is a top plan view of FIG. 1;
FIG. 4 is a left side view of FIG. 1, a right side view being a mirror image thereof; and,
FIG. 5 is a bottom plan view of FIG. 1.

1 Claim, 3 Drawing Sheets



(56)

References Cited

U.S. PATENT DOCUMENTS

D552,961 S 10/2007 Roberts
D554,974 S 11/2007 Huang
D581,724 S * 12/2008 Pan D7/375
D599,444 S 9/2009 Jones
D634,182 S 3/2011 Kang
D646,762 S * 10/2011 Terry et al. D23/259
D673,246 S 12/2012 Lee
D677,764 S * 3/2013 Laera D23/260
D682,994 S * 5/2013 Schulz D23/259

D715,901 S * 10/2014 Antonello D23/259
D729,354 S * 5/2015 Kieper D23/262
2008/0023292 A1 1/2008 Rynearson et al.
2008/0054028 A1 3/2008 Brannon et al.
2011/0284590 A1 11/2011 Brannon et al.

OTHER PUBLICATIONS

Notice of Allowance for U.S. Appl. No. 29/432,752, mailed Apr. 24,
2015, 8 pages.
U.S. Appl. No. 29/432,752, Lohmann.

* cited by examiner

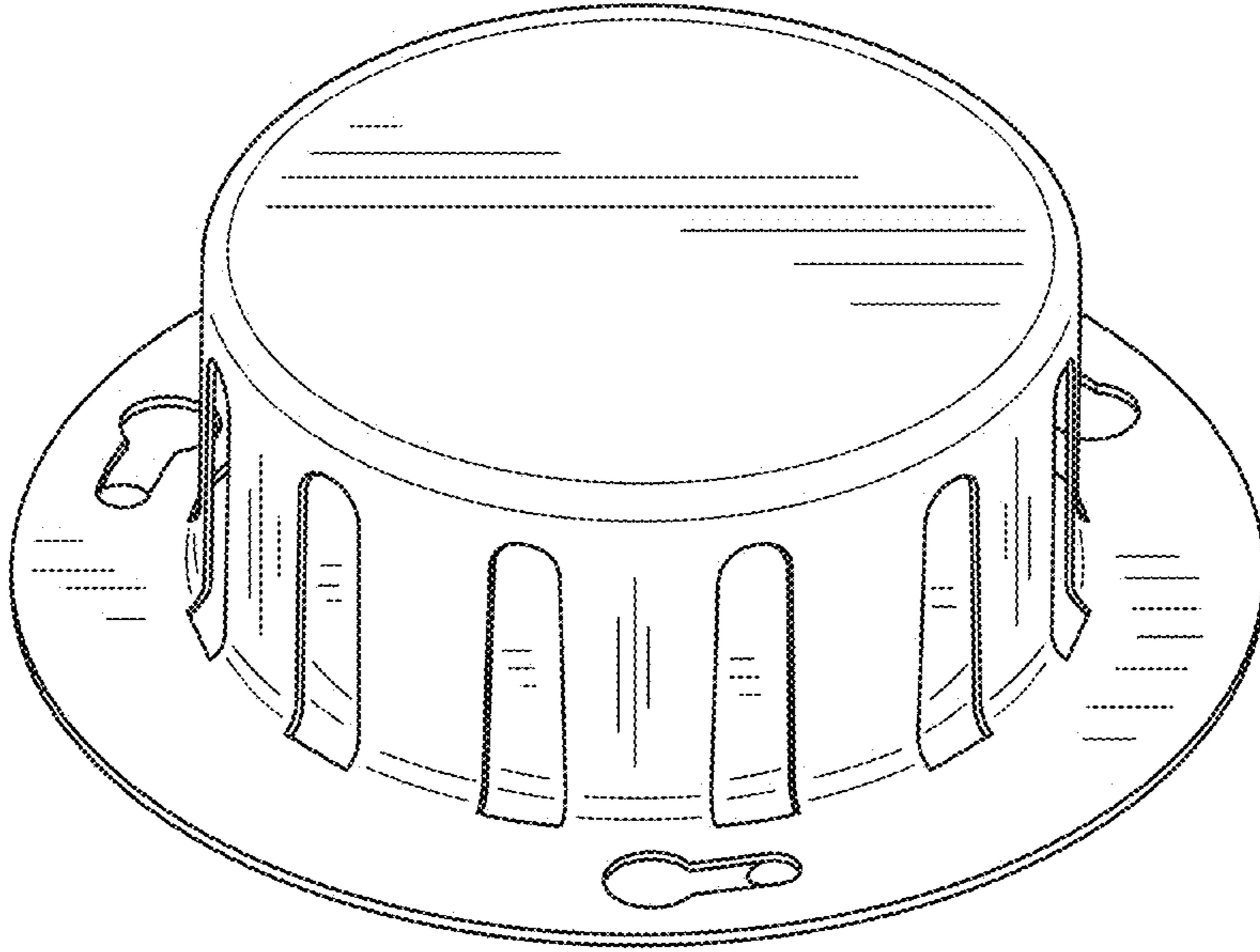


FIG. 1

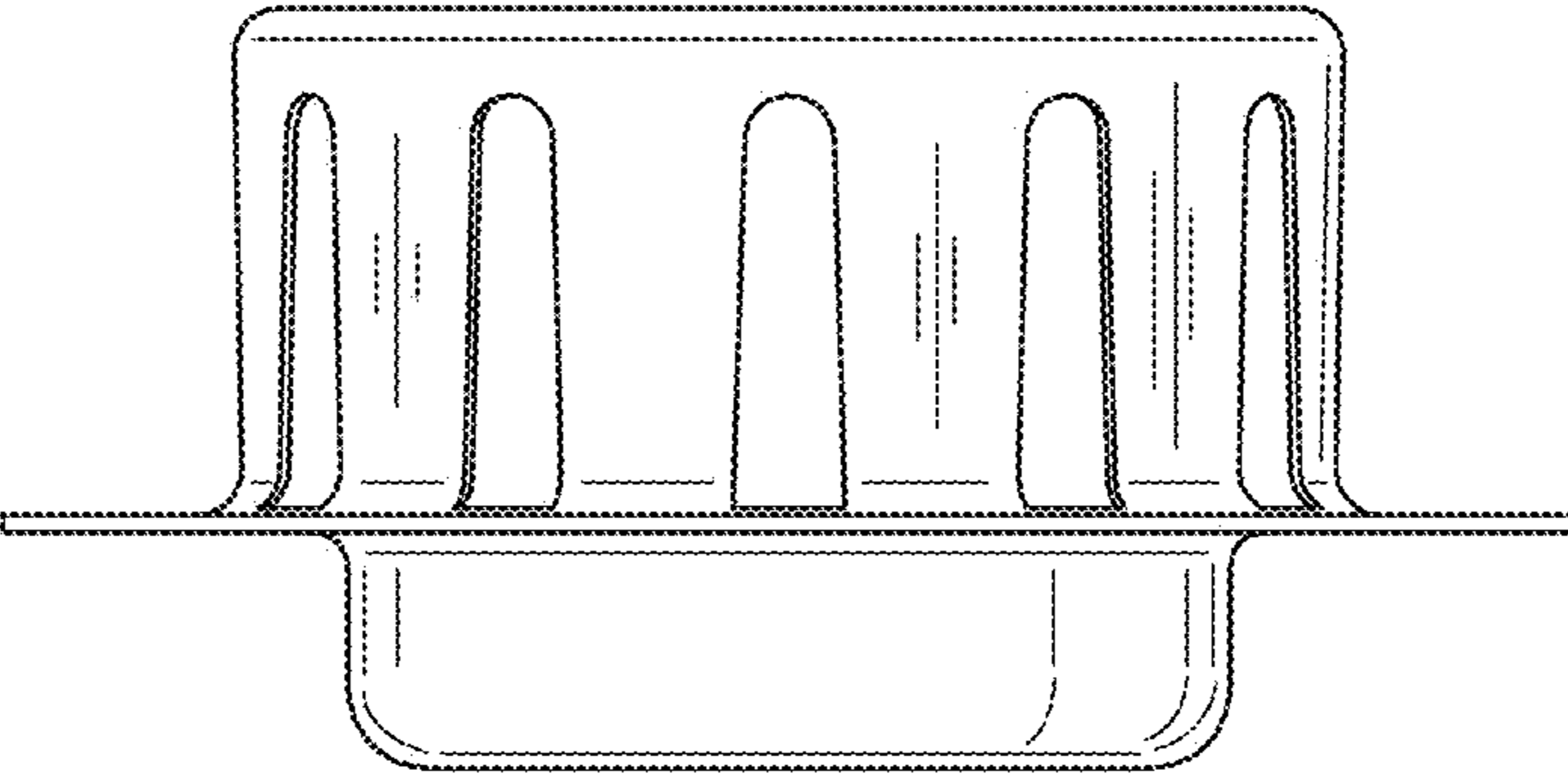


FIG. 2

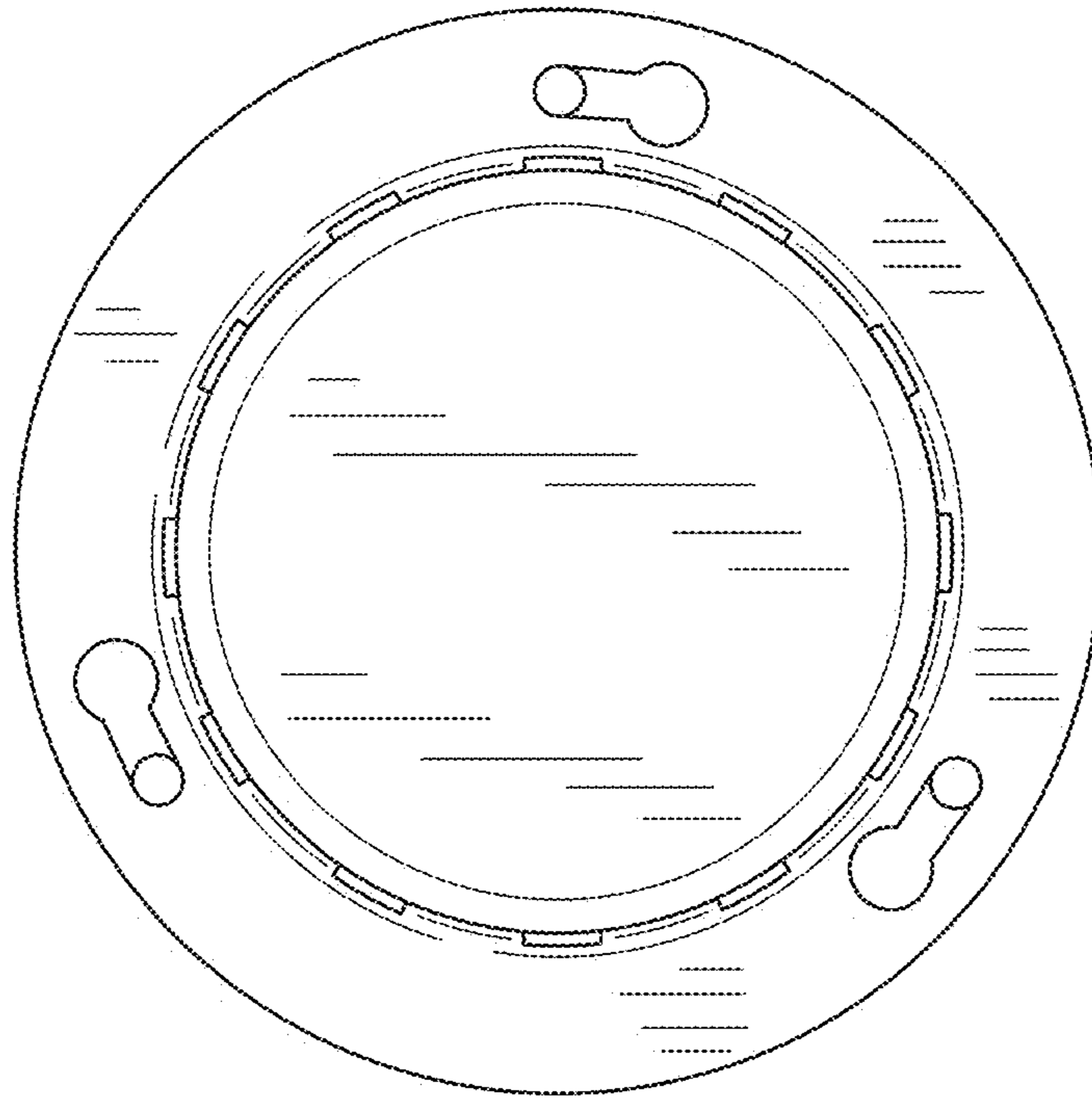


FIG.3

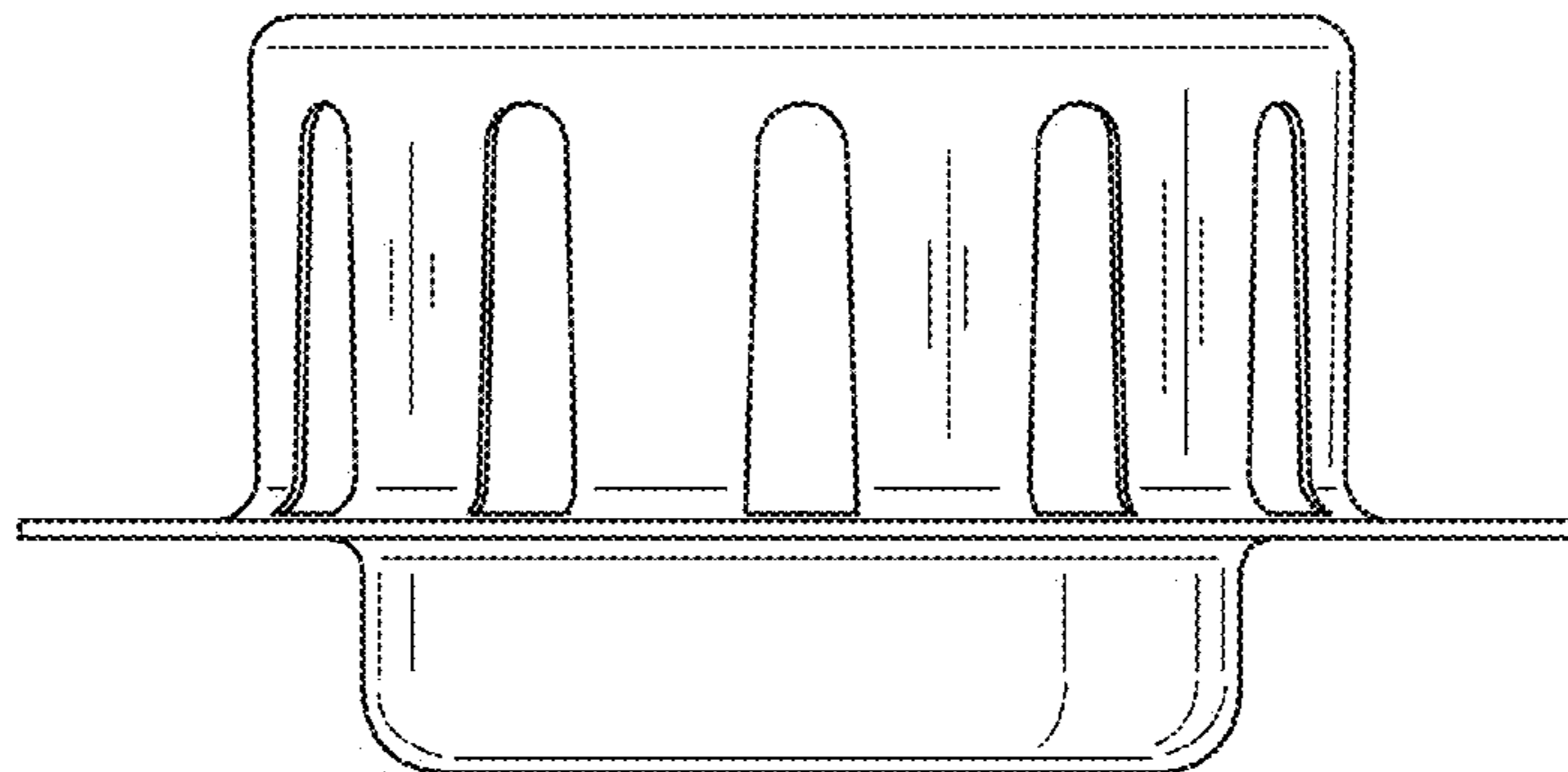


FIG.4

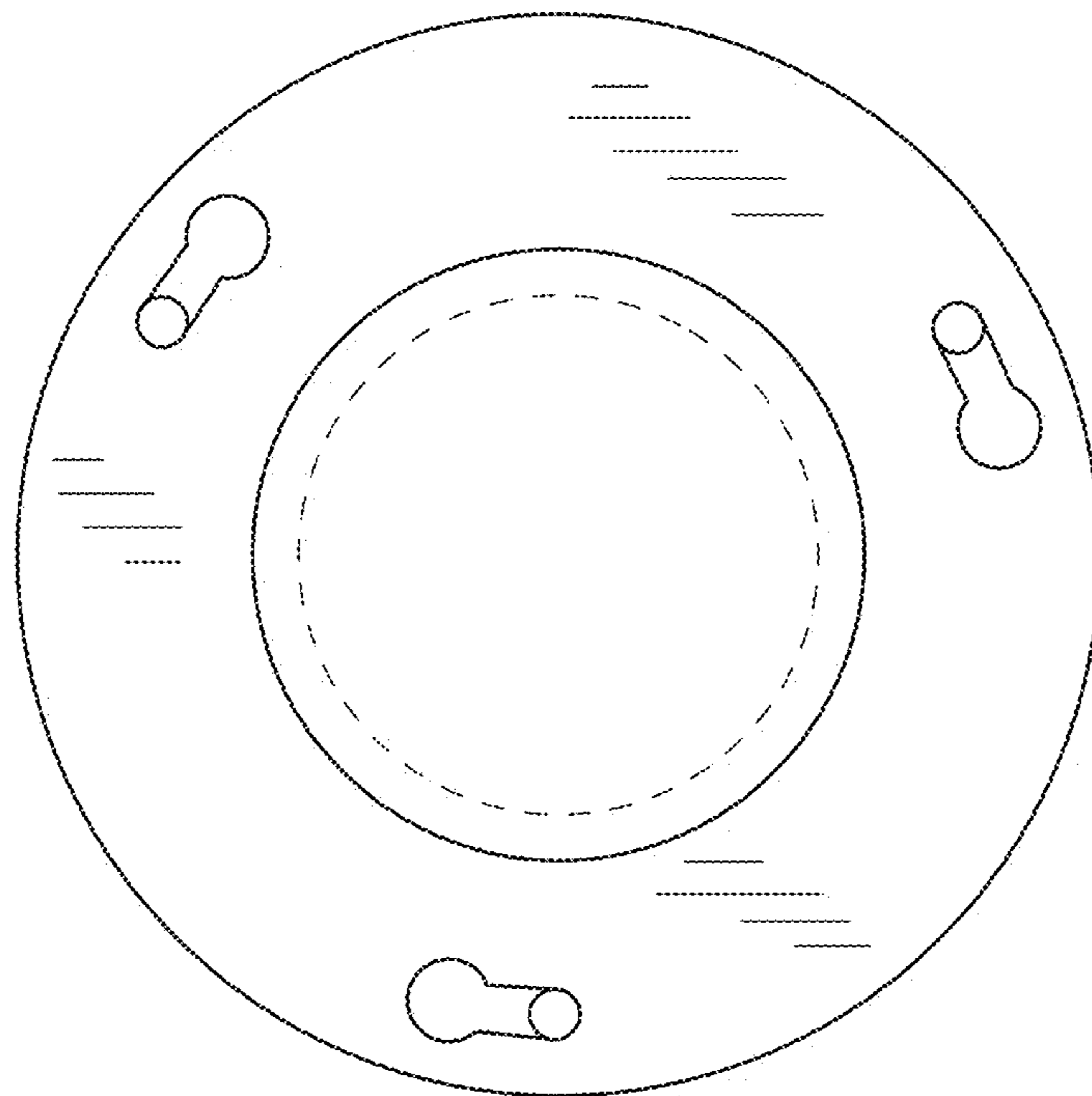


FIG.5