



US00D745819S

(12) **United States Design Patent**
Bloch

(10) **Patent No.:** **US D745,819 S**

(45) **Date of Patent:** **** Dec. 22, 2015**

(54) **KNIFE SHARPENER**

(71) Applicant: **Outdoor Edge Cutlery Corporation,**
Denver, CO (US)

(72) Inventor: **David R. Bloch,** Morrison, CO (US)

(73) Assignee: **Outdoor Edge Cutlery Corporation,**
Denver, CO (US)

(**) Term: **14 Years**

(21) Appl. No.: **29/507,927**

(22) Filed: **Oct. 31, 2014**

(51) **LOC (10) Cl.** **08-05**

(52) **U.S. Cl.**
USPC **D8/93**

(58) **Field of Classification Search**
USPC D8/90-94, 98, 99, 105, 107; 451/349,
451/461, 486, 552, 555-558; 76/82, 88
CPC B24B 3/54; B24B 3/546; B24D 15/00;
B24D 15/06; B24D 15/065; B24D 15/08;
B24D 15/081; B24D 15/082
See application file for complete search history.

(56) **References Cited**

U.S. PATENT DOCUMENTS

1,417,054	A *	5/1922	Graf	B24D 15/08 76/88
1,516,997	A *	11/1924	Watts	B24D 15/082 76/87
D111,174	S *	9/1938	Varpenter	D8/93
D241,504	S *	9/1976	Krusche et al.	D8/91
5,782,681	A *	7/1998	Bresnahan	B24D 15/00 451/523
6,039,642	A *	3/2000	Collins	B24D 15/06 451/45
D578,581	S *	10/2008	Smith	D21/667
D721,564	S *	1/2015	Purnomohadi	D8/98
D723,898	S *	3/2015	Smith	D8/105

D731,278	S *	6/2015	Cavanaugh	D8/105
2008/0171504	A1 *	7/2008	Smith	B24B 3/54 451/540
2009/0064822	A1 *	3/2009	Sterngold	B24D 15/081 76/86

OTHER PUBLICATIONS

Lansky Quick Fix Pocket Knife Sharpener. Downloaded from <http://www.campsaver.com/quick-fix-pocket-sharpener> on Sep. 20, 2015.*
Outdoor Edge Sharp-X Knife Sharpener. Downloaded from <http://www.campsaver.com/sharp-x-knife-sharpener?gclid=CNqItvSWhsgCFYKQHwod8i> . . . on Sep. 20, 2015.*

* cited by examiner

Primary Examiner — Philip S Hyder

Assistant Examiner — Roselynn Cody

(74) *Attorney, Agent, or Firm* — Sheridan Ross P.C.

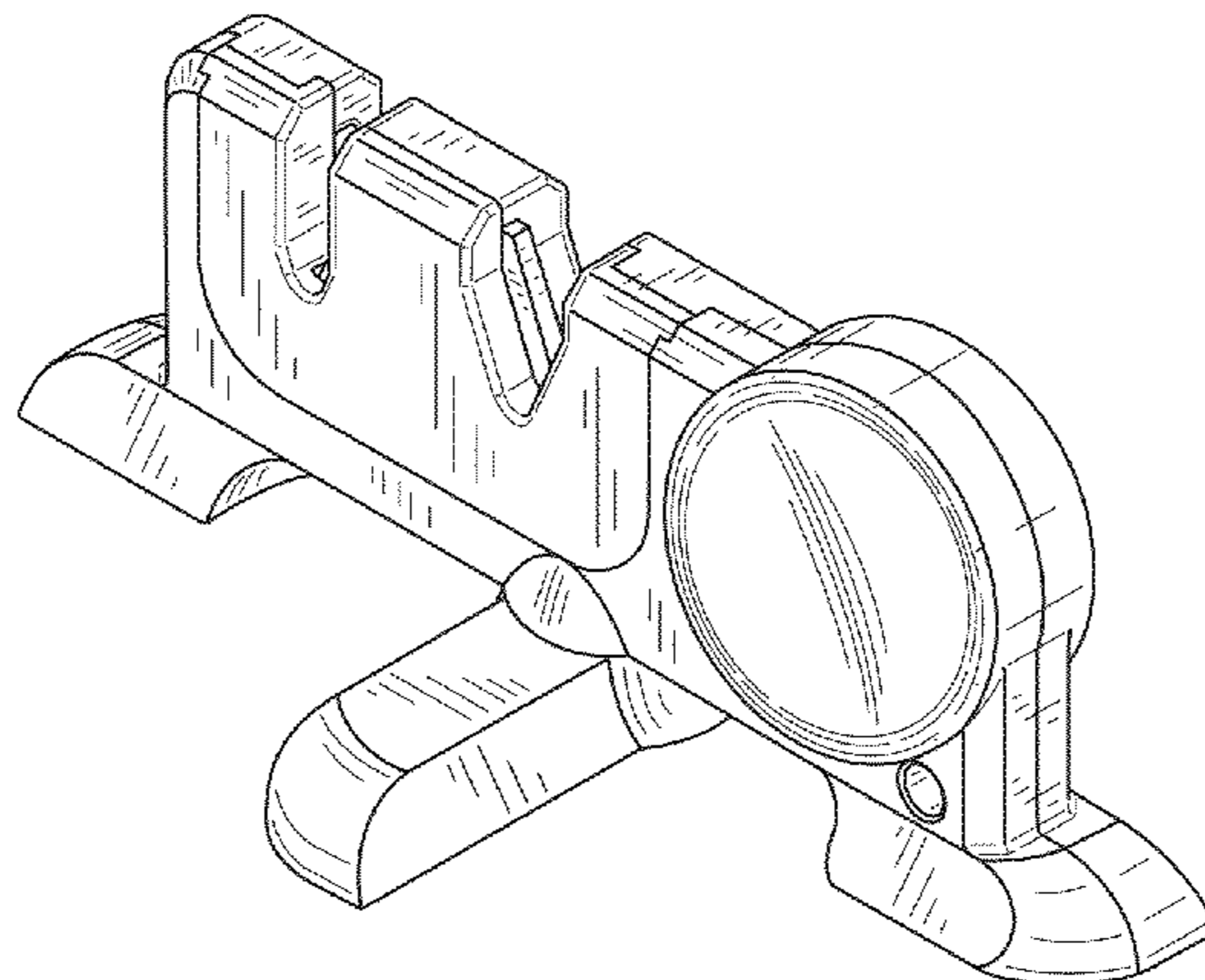
(57) **CLAIM**

The ornamental design for a knife sharpener, as shown and described.

DESCRIPTION

FIG. 1 is a perspective view of the knife sharpener; FIG. 2 is a front elevation view thereof; FIG. 3 is a rear elevation view thereof; FIG. 4 is a right elevation view thereof; FIG. 5 is a left elevation view thereof; FIG. 6 is a top plan view thereof; FIG. 7 is a bottom plan view thereof; FIG. 8 is a perspective view of the knife sharpener shown in a second position of use wherein a foot is deployed; FIG. 9 is a front elevation view thereof; FIG. 10 is a rear elevation view thereof; FIG. 11 is a right elevation view thereof; FIG. 12 is a left elevation view thereof; FIG. 13 is a top plan view thereof; and, FIG. 14 is a bottom plan view thereof. The broken line showing comprises unclaimed subject matter.

1 Claim, 8 Drawing Sheets



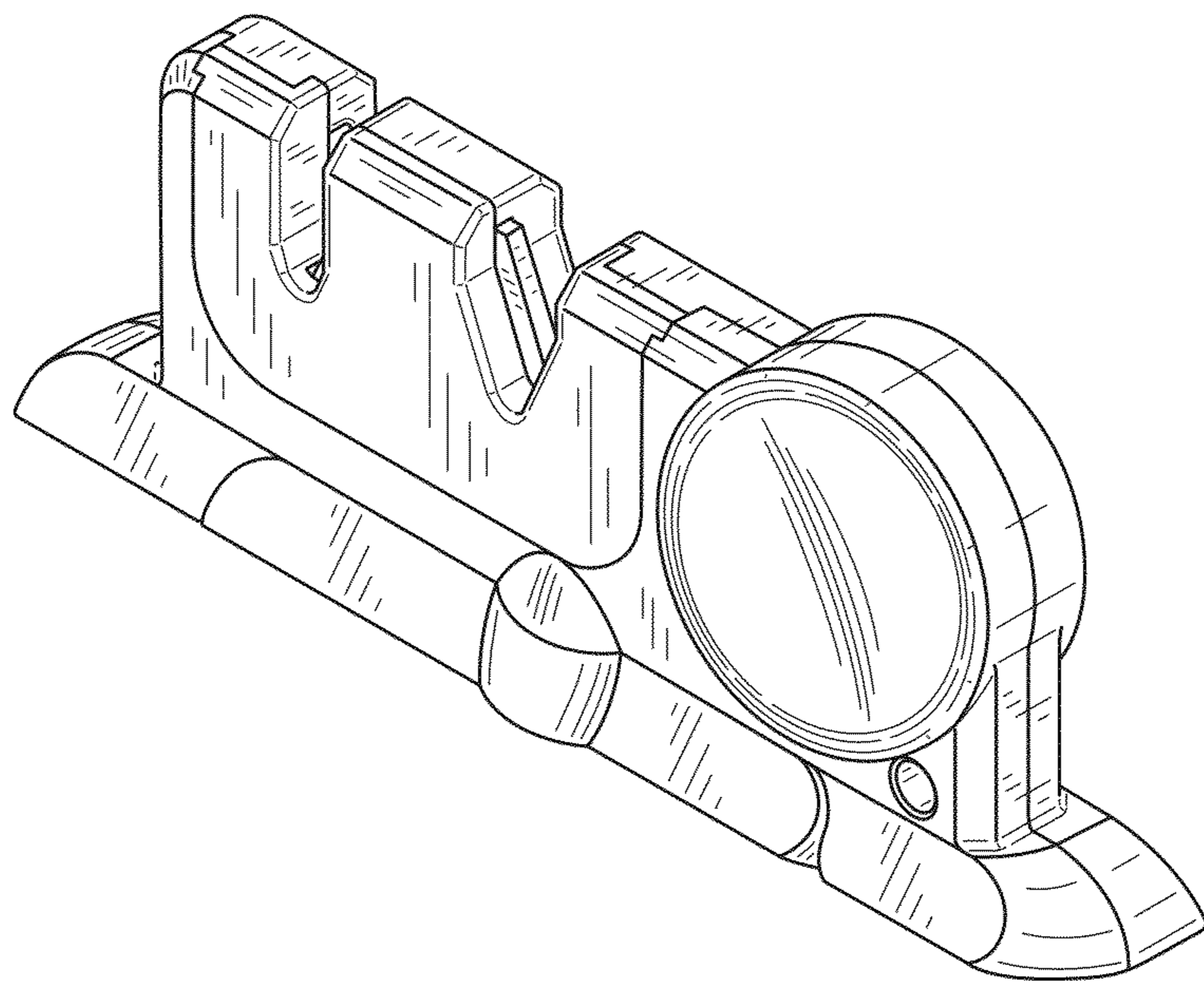


FIG.1

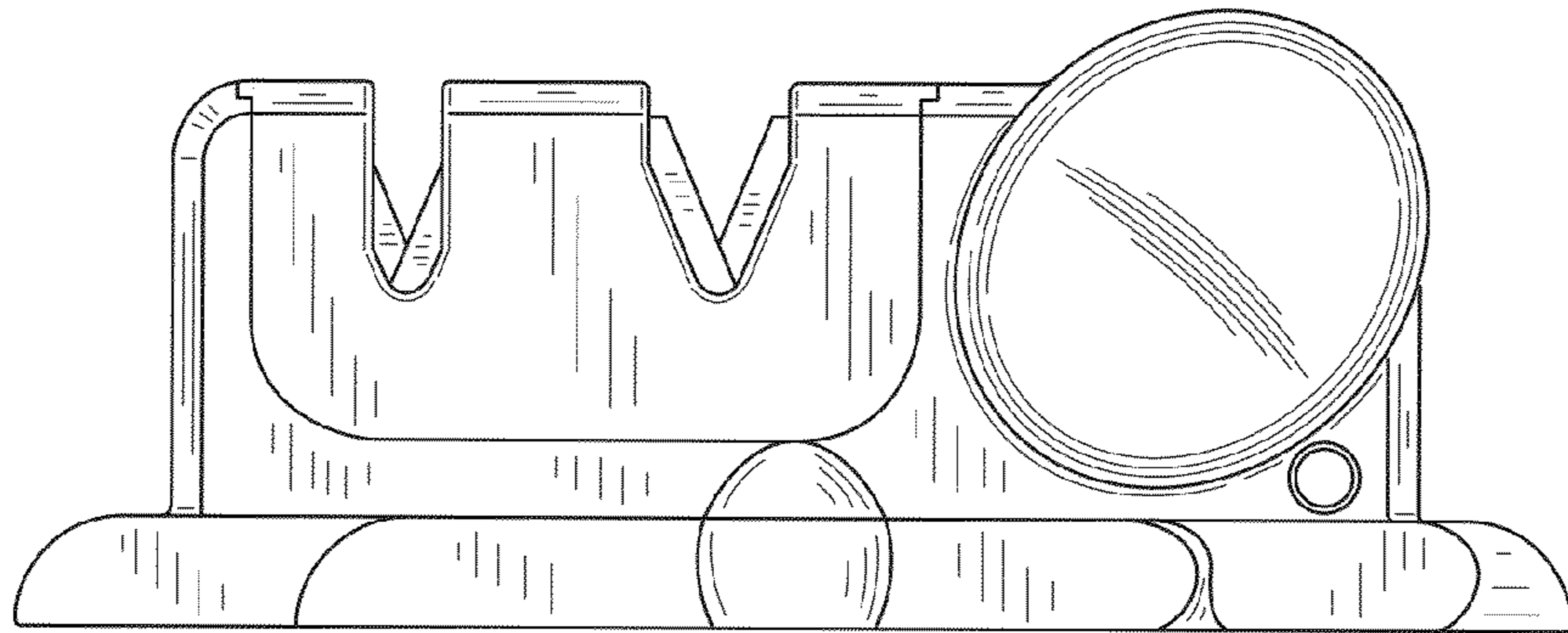


FIG. 2

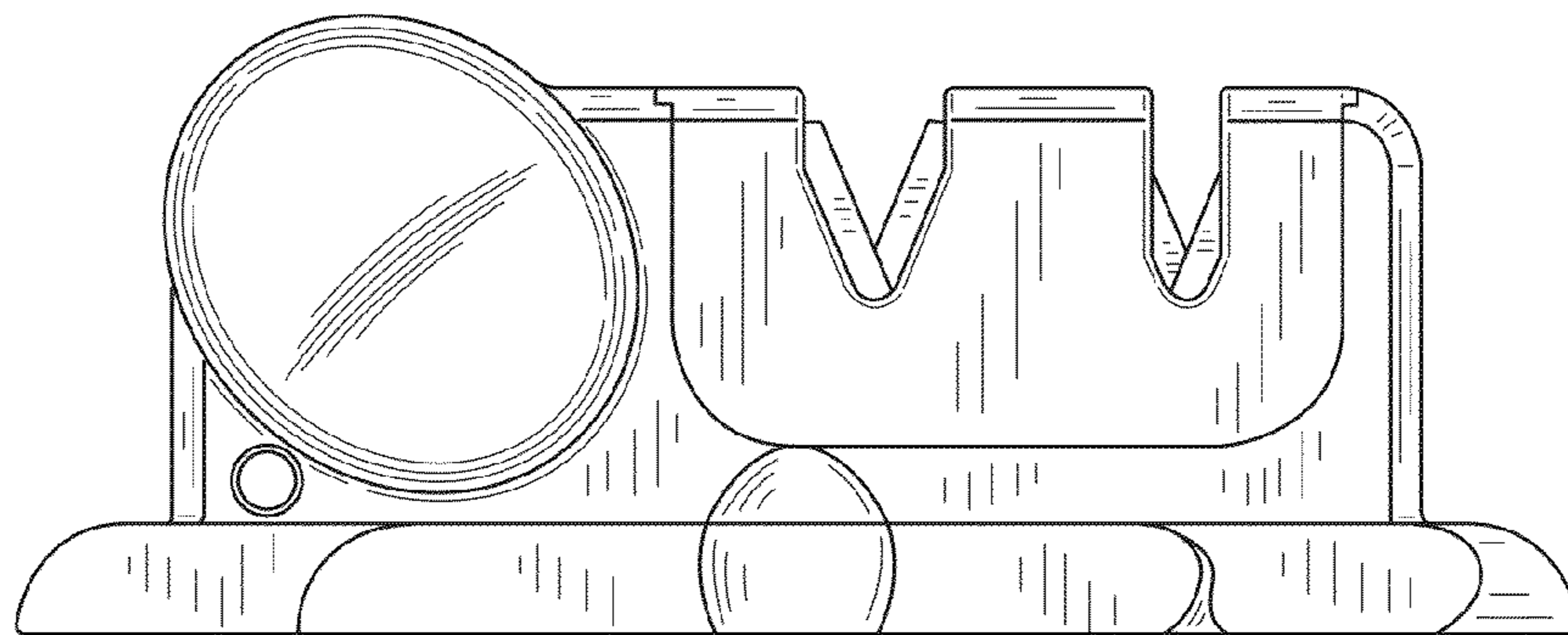


FIG. 3

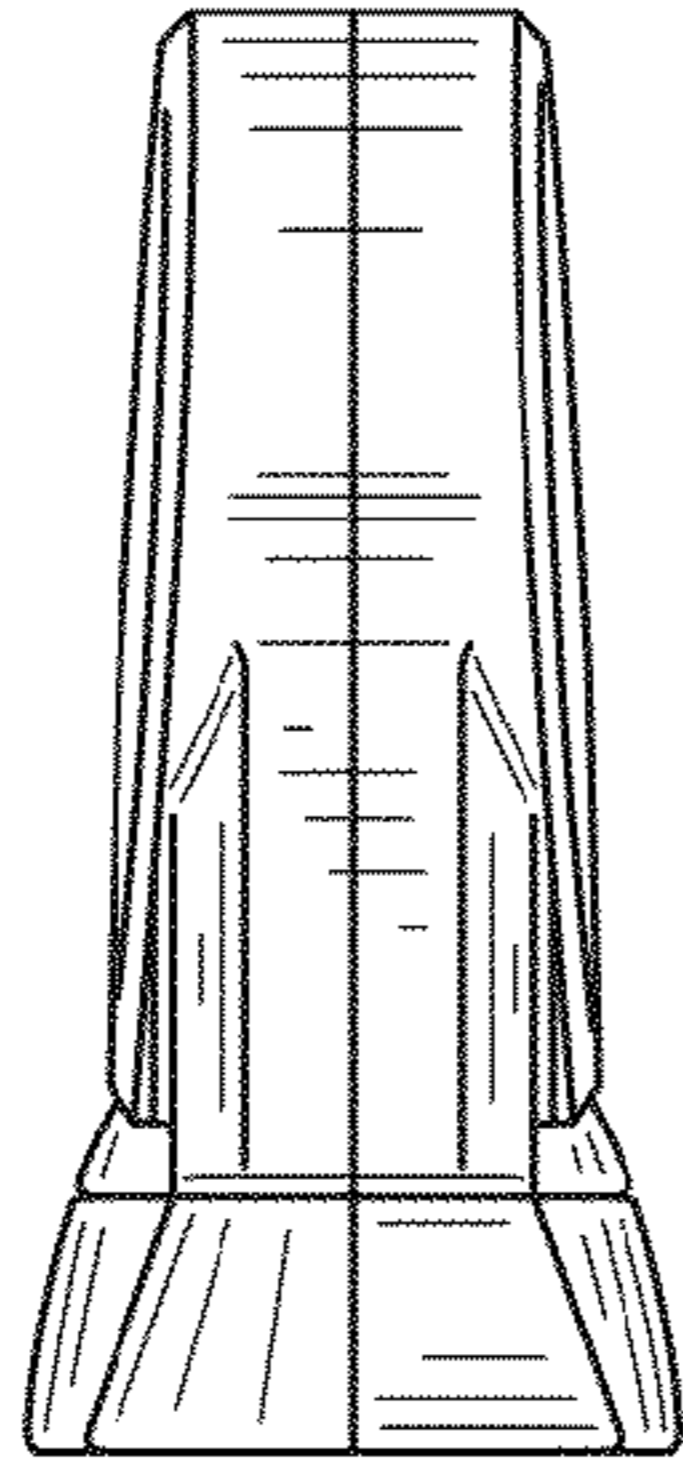


FIG. 4

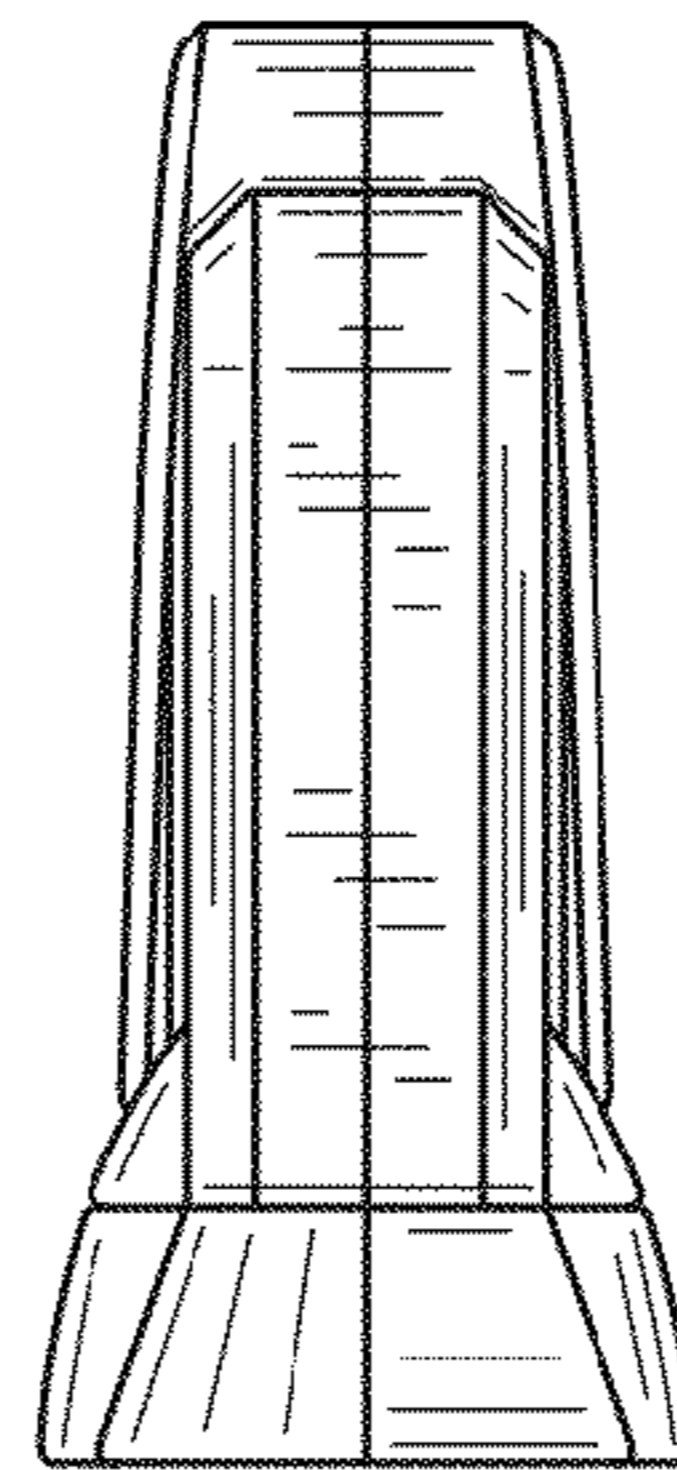


FIG. 5

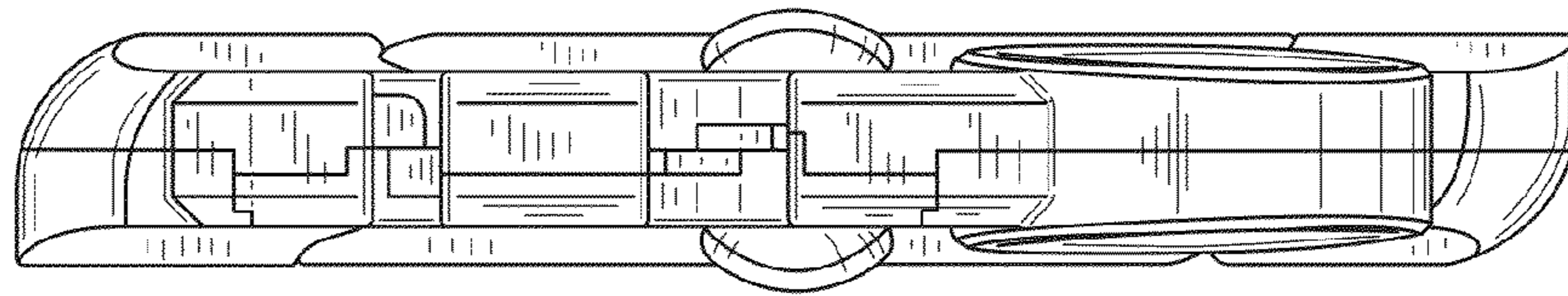


FIG. 6

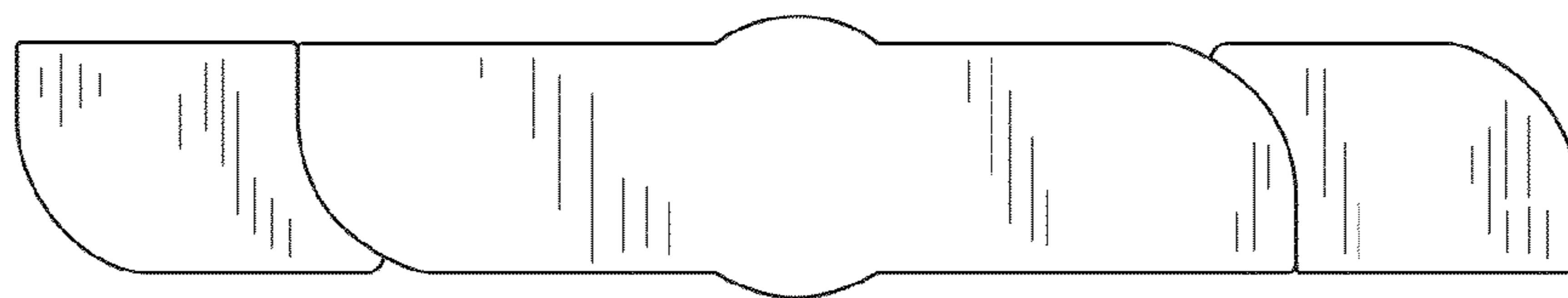


FIG. 7

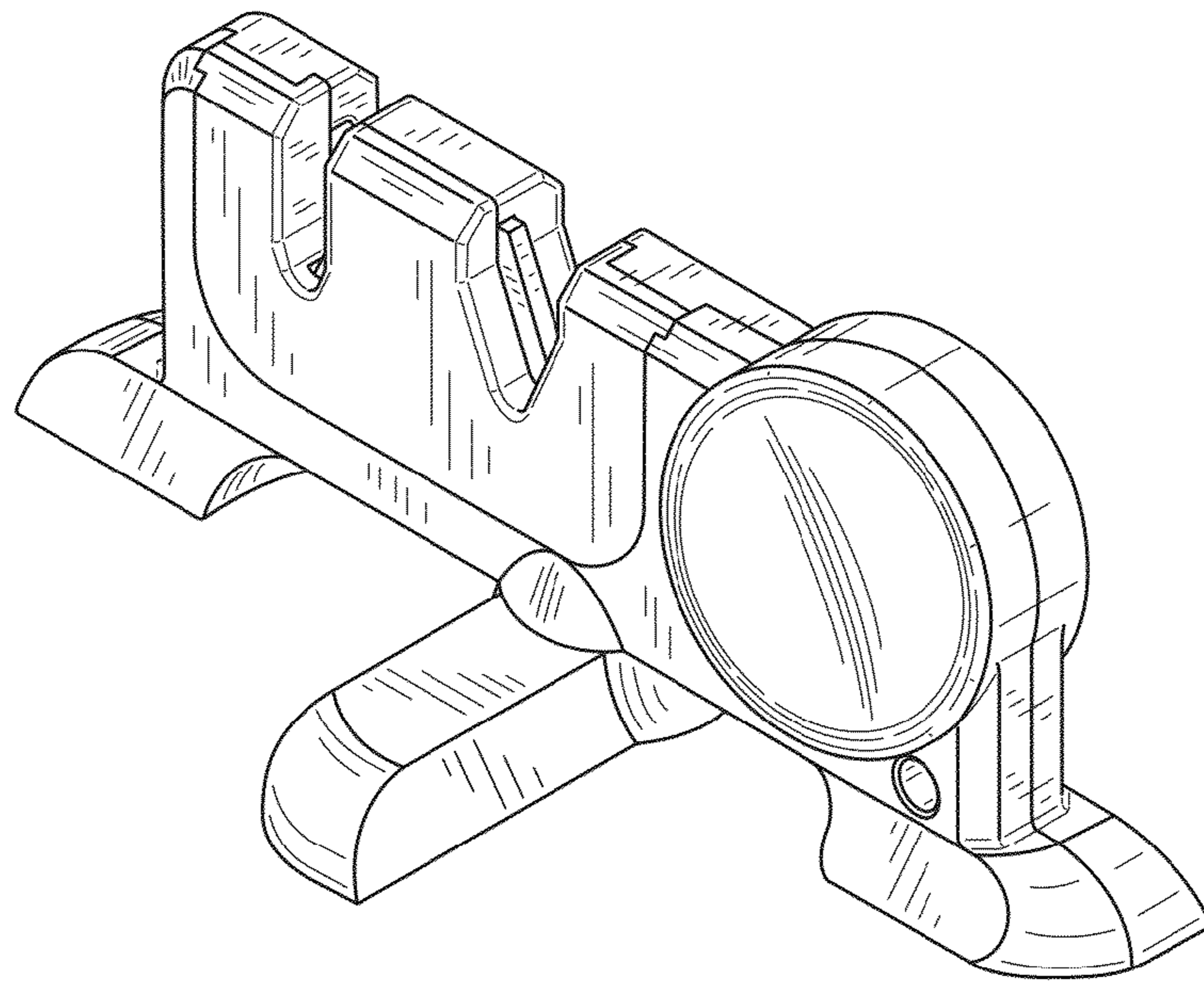


FIG.8

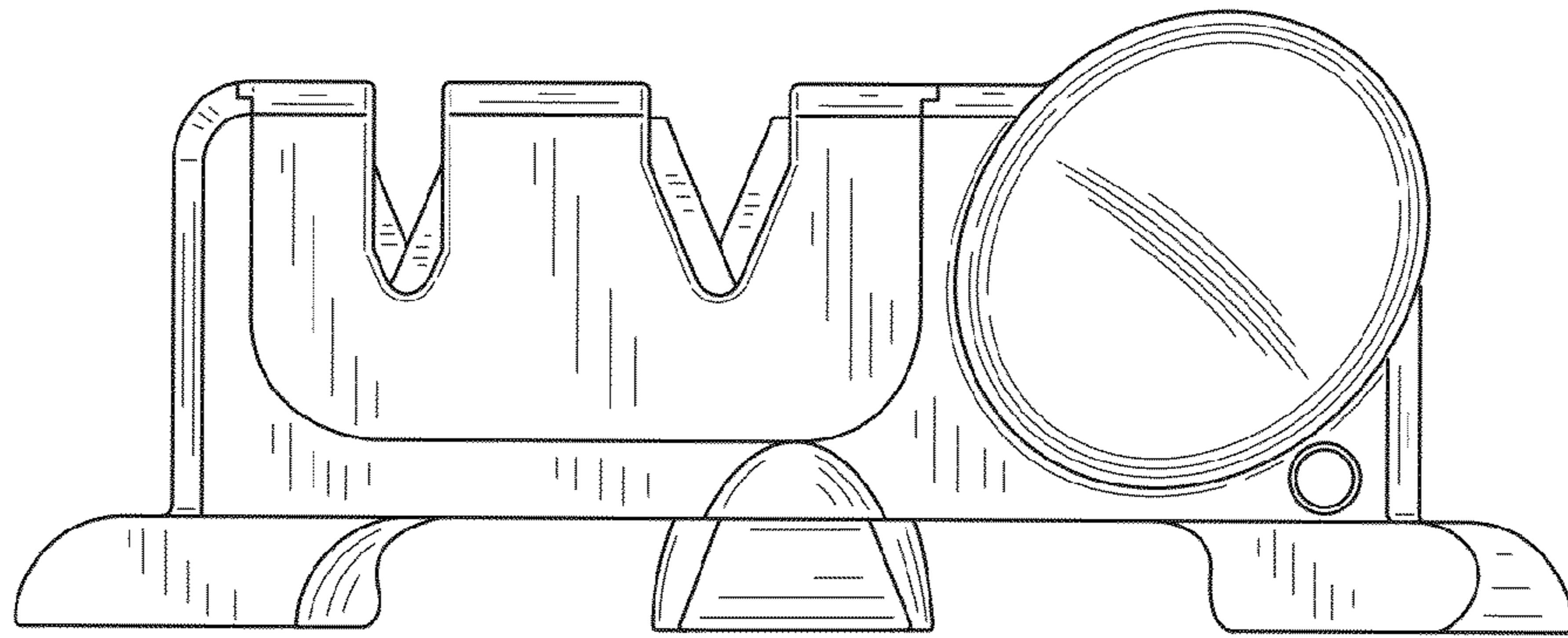


FIG. 9

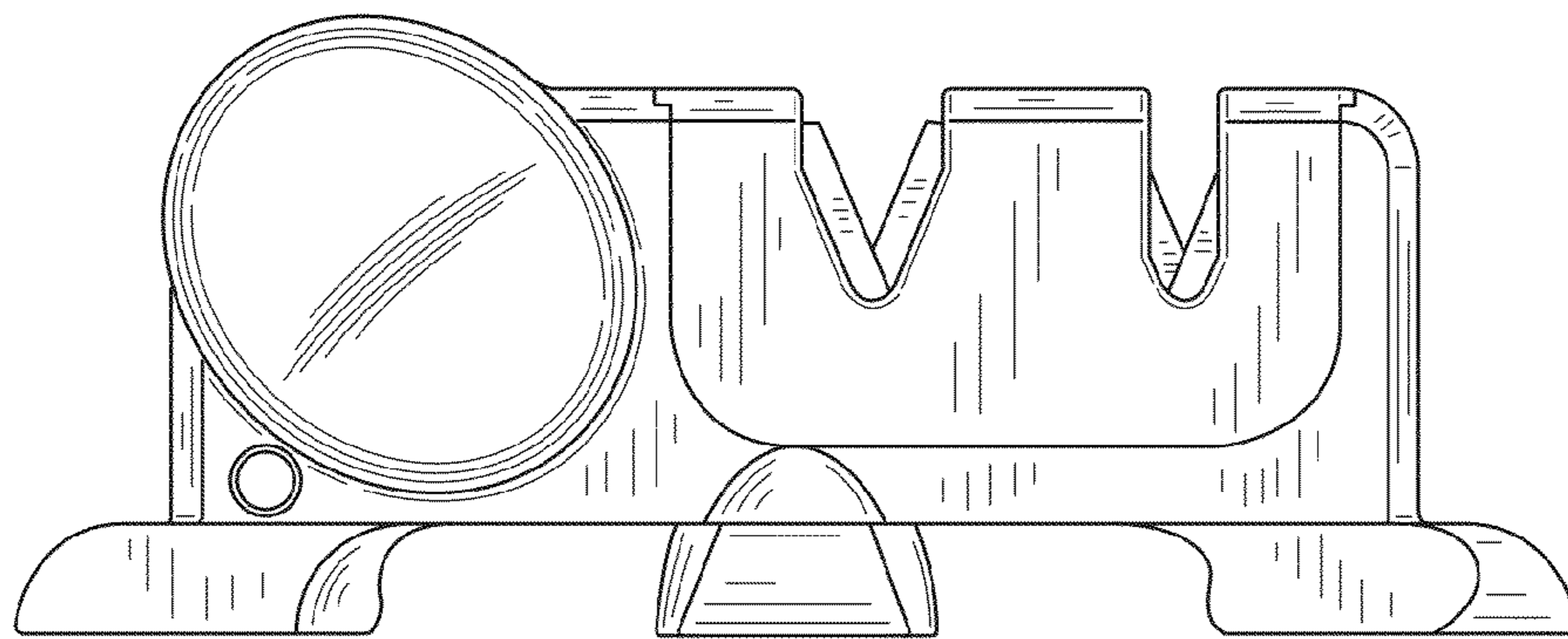


FIG. 10

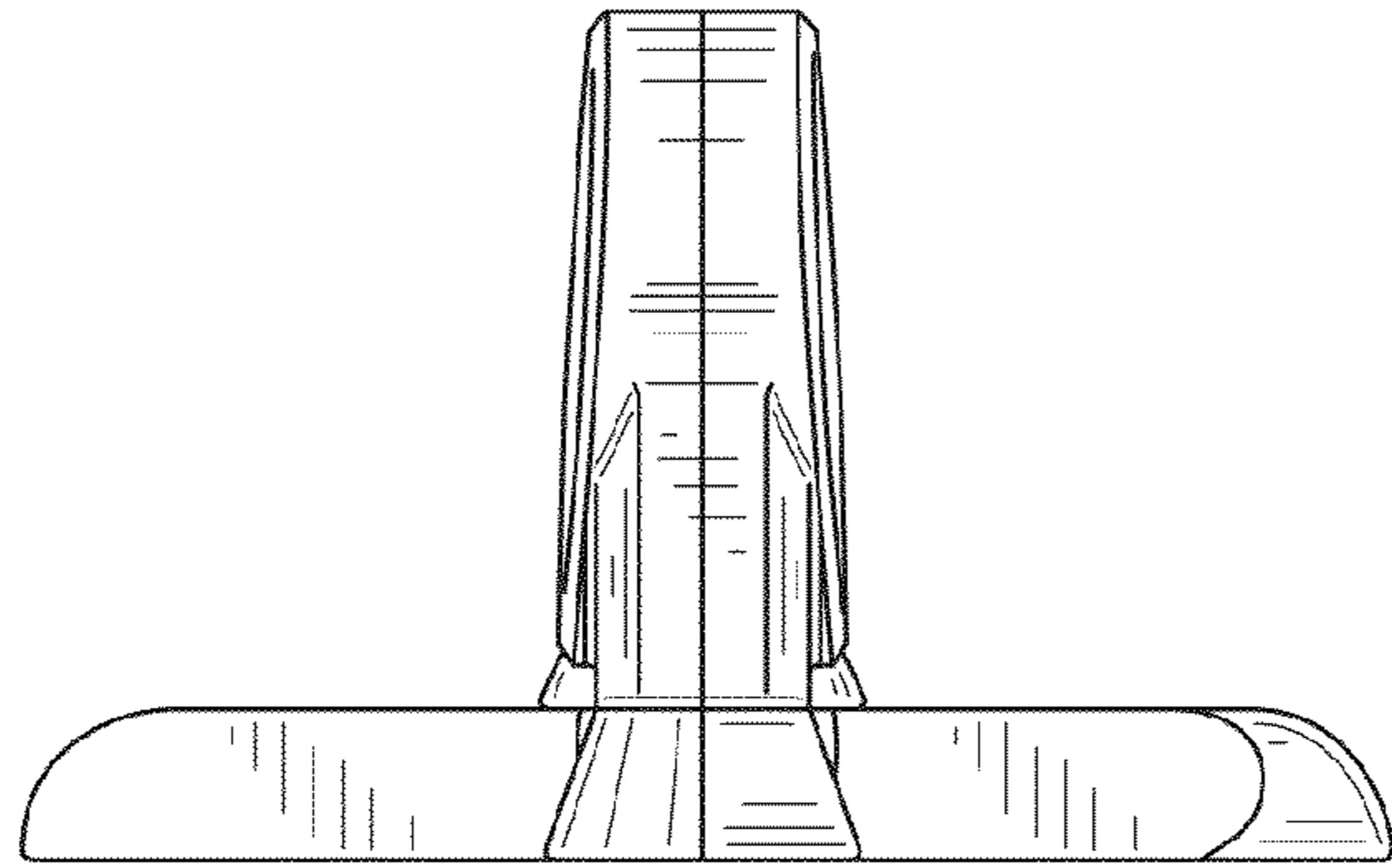


FIG. 11

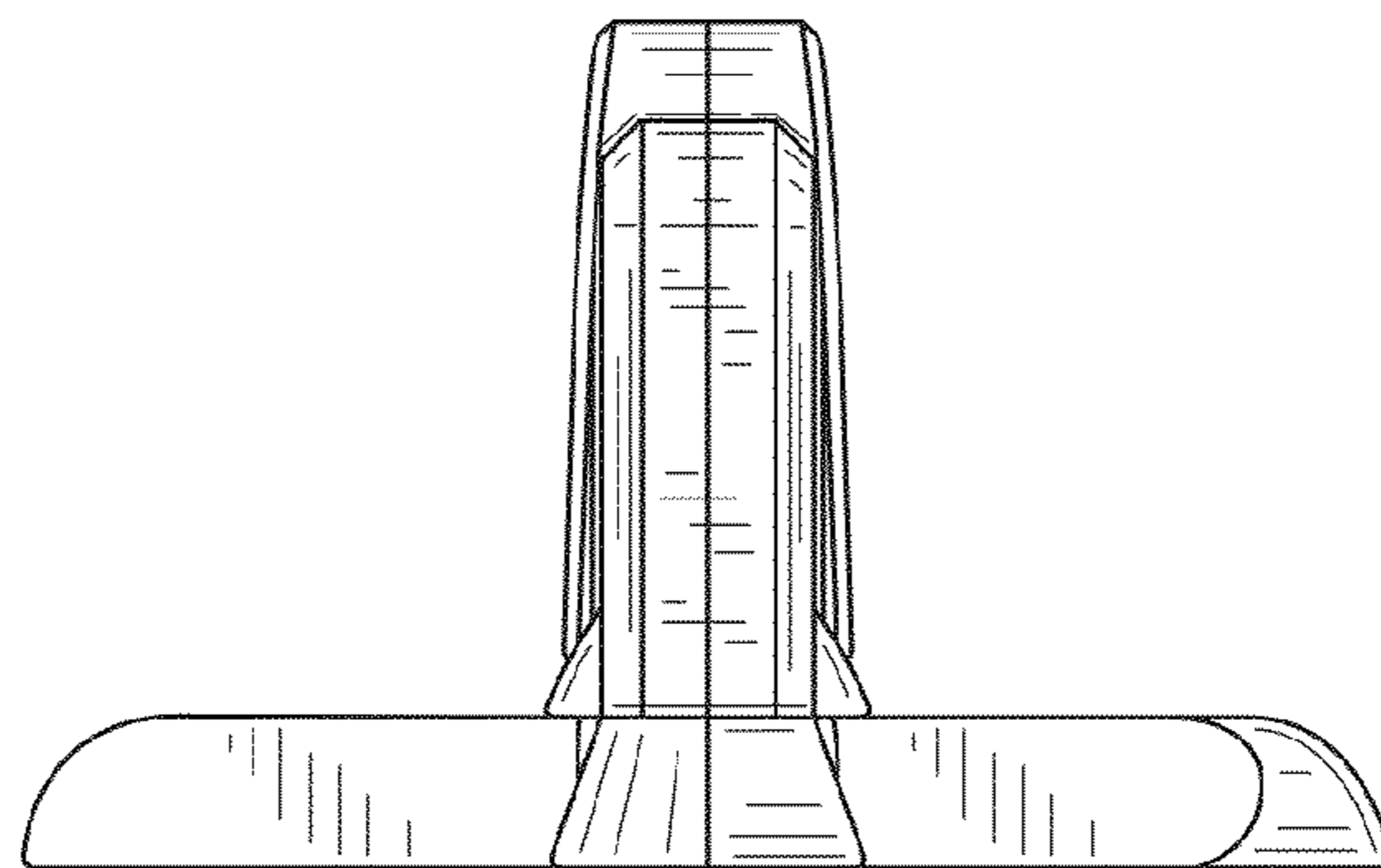


FIG. 12

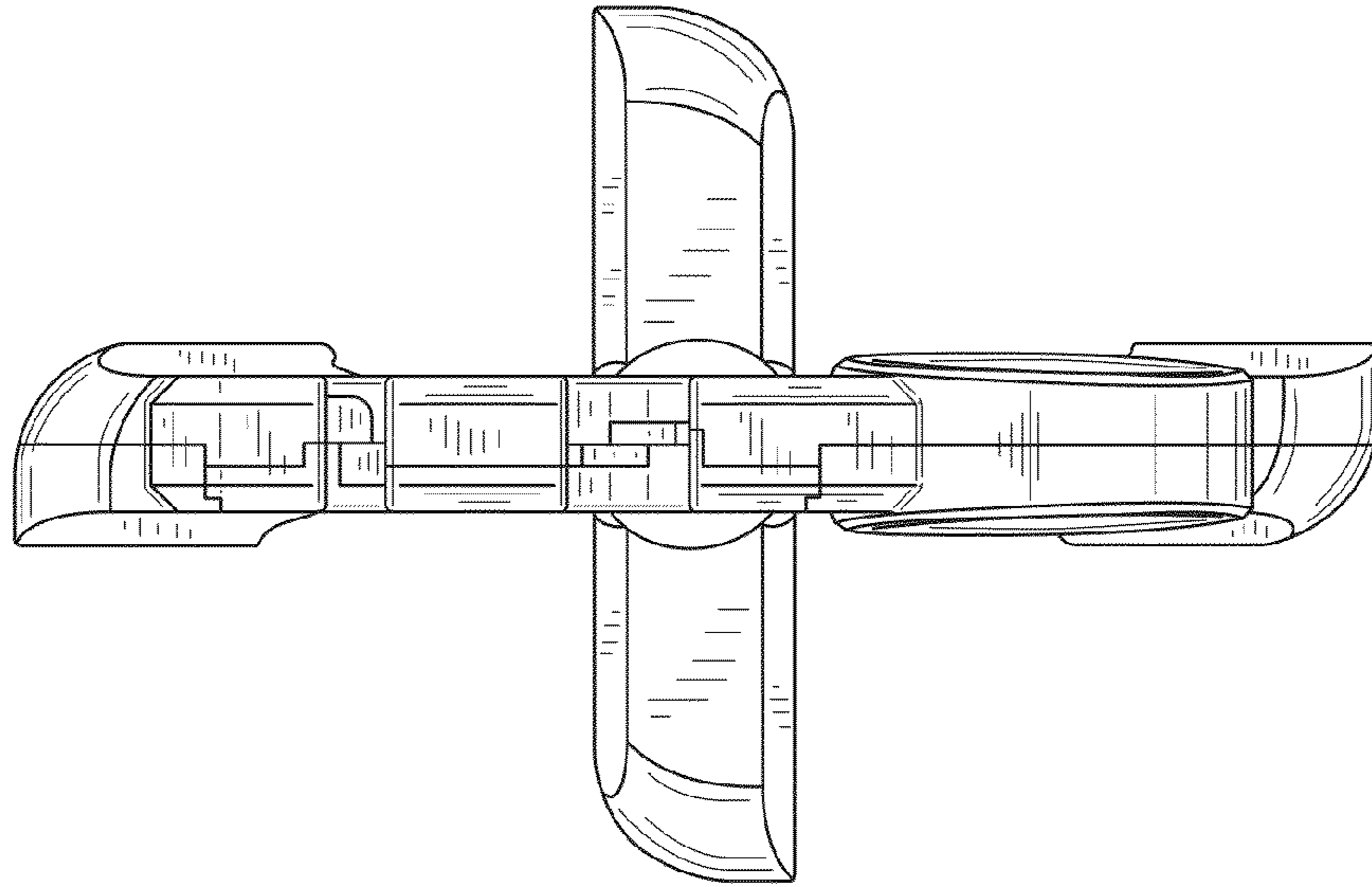


FIG. 13

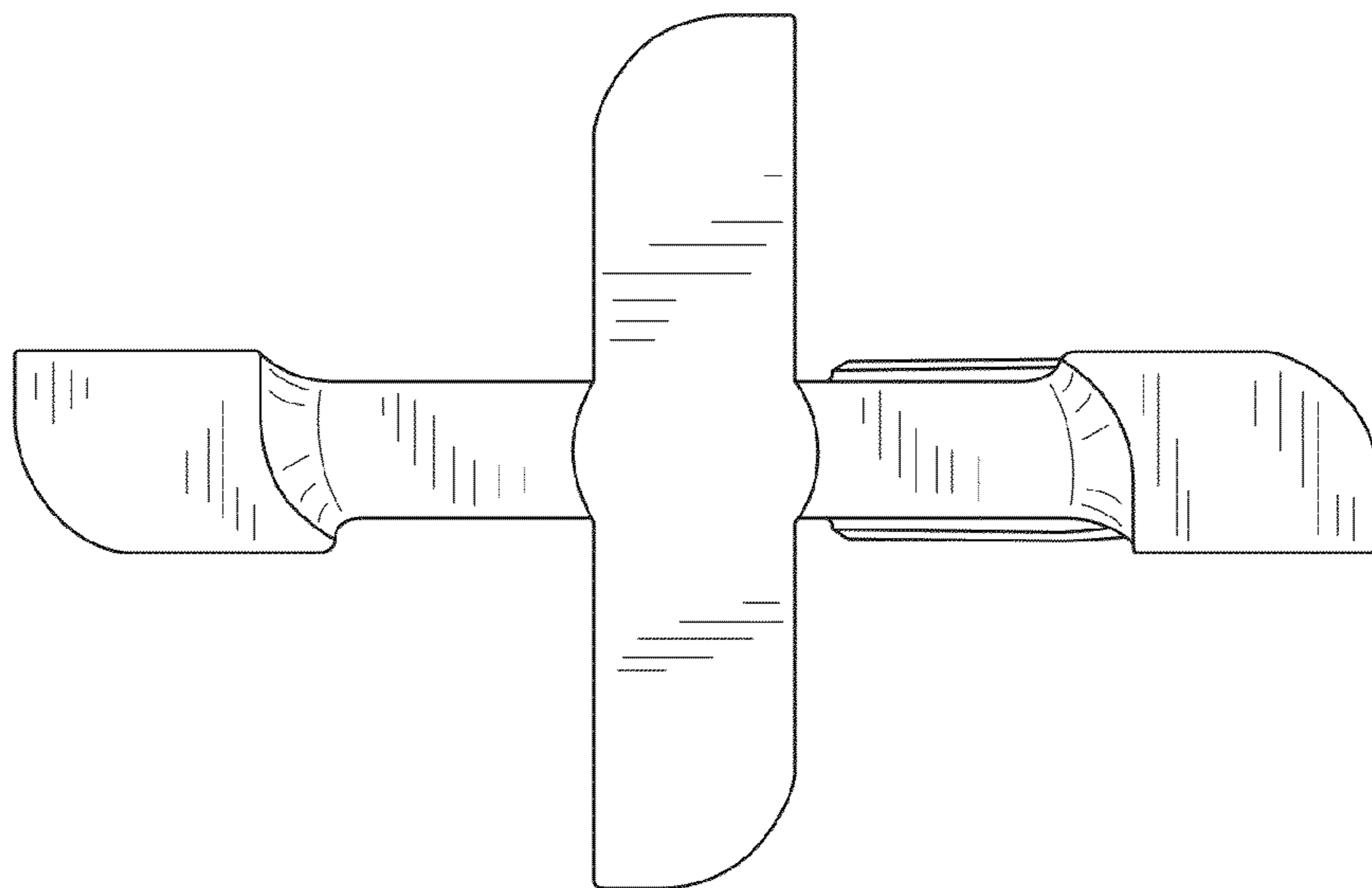


FIG. 14