



US00D745818S

(12) **United States Design Patent**
Lin

(10) **Patent No.:** **US D745,818 S**
(45) **Date of Patent:** **** Dec. 22, 2015**

(54) **STRIKING TOOL**
(71) Applicant: **SHOU KING ENTERPRISE CO., LTD.**, Taichung (TW)
(72) Inventor: **Ching-Chou Lin**, Taichung (TW)
(73) Assignee: **SHOU KING ENTERPRISE CO., LTD.**, Taichung (TW)
(**) Term: **14 Years**
(21) Appl. No.: **29/487,070**

4,834,224 A * 5/1989 Haider 188/378
D334,790 S * 4/1993 Jaramillo D22/117
D350,470 S * 9/1994 Majors et al. D8/80
D360,007 S * 7/1995 Farr D22/117
D419,416 S * 1/2000 Ryu D8/75
D422,471 S * 4/2000 Ryu D8/75
D428,788 S * 8/2000 Ryu D8/80
D429,135 S * 8/2000 Ryu D8/80
D430,473 S * 9/2000 Ryu D8/75
D478,471 S * 8/2003 Rowe D7/395
D504,797 S * 5/2005 Lu D7/395
RE39,008 E * 3/2006 Ryu D8/80
7,181,798 B2 * 2/2007 Hayhurst 7/144
D577,931 S * 10/2008 Thompson D6/718
D716,981 S * 11/2014 Hawthorne et al. D26/36

(22) Filed: **Apr. 4, 2014**
(51) **LOC (10) Cl.** **08-02**
(52) **U.S. Cl.**
USPC **D8/77**
(58) **Field of Classification Search**
USPC D8/75-81, 107, 303, 307; D22/117;
81/19-26, 489-490; 254/26 R; D7/395
CPC B23K 9/28; B25F 1/00; B25D 1/00;
B25D 1/02; B25D 1/04; B25D 1/045; B25D
1/06; B25D 1/12; B25G 1/02
See application file for complete search history.

OTHER PUBLICATIONS

Hammer for Automotive Maintenance. Downloaded from http://www.shouking.com.tw/cw/gsol/pex/en/cwdesign1/jsp/main.jsp?supplier_id=200880 . . . on Jul. 27, 2015.*

* cited by examiner

Primary Examiner — Philip S Hyder
Assistant Examiner — Roselynn Cody

(74) *Attorney, Agent, or Firm* — Raymond Y. Chan; David and Raymond Patent Firm

(56) **References Cited**
U.S. PATENT DOCUMENTS

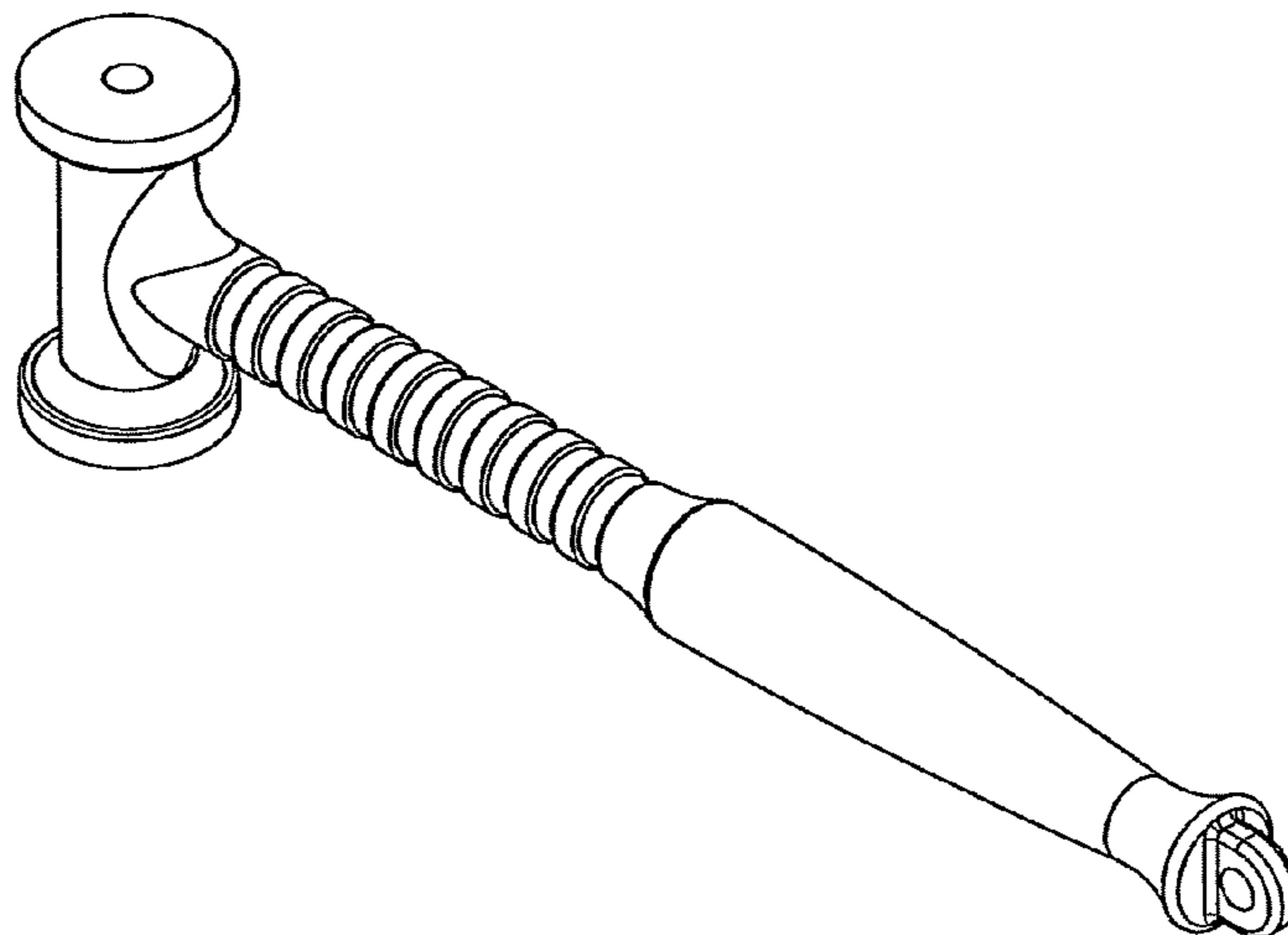
D5,556 S * 2/1872 Pettengill D21/728
378,632 A * 2/1888 Svensson 81/19
393,789 A * 12/1888 Runnals 81/19
1,633,007 A * 6/1927 Ehinger 81/19
D123,490 S * 11/1940 Saffell D8/93
D161,810 S * 2/1951 Alexander D8/75
2,566,517 A * 9/1951 Dicks 81/19
3,216,052 A * 11/1965 Hill 16/431
3,444,908 A * 5/1969 Roth 81/19
3,608,899 A * 9/1971 Hall 463/47.5
D263,445 S * 3/1982 Gordin et al. D8/107
D285,284 S * 8/1986 Blomqvist D8/77
D290,334 S * 6/1987 Reynolds, Jr. D8/105
D295,013 S * 4/1988 Vosbikian D8/10

(57) **CLAIM**
The ornamental design for a striking tool, as shown.

DESCRIPTION

FIG. 1 is a right view of a striking tool showing my new design;
FIG. 2 is a left view thereof;
FIG. 3 is a top view thereof;
FIG. 4 is a bottom view thereof;
FIG. 5 is a rear view thereof;
FIG. 6 is a front view thereof; and,
FIG. 7 is an isometric view thereof.

1 Claim, 7 Drawing Sheets



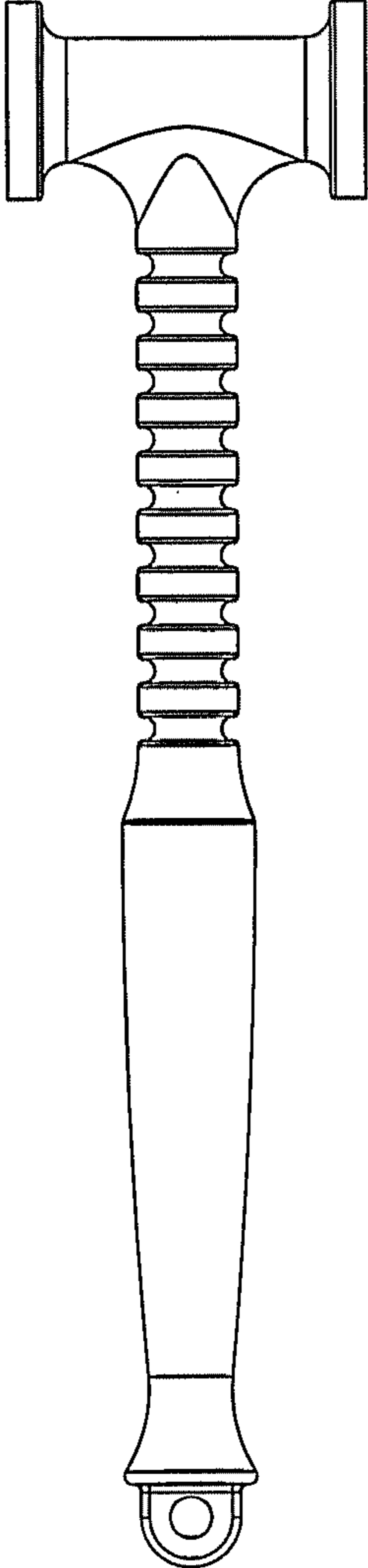


FIG 1

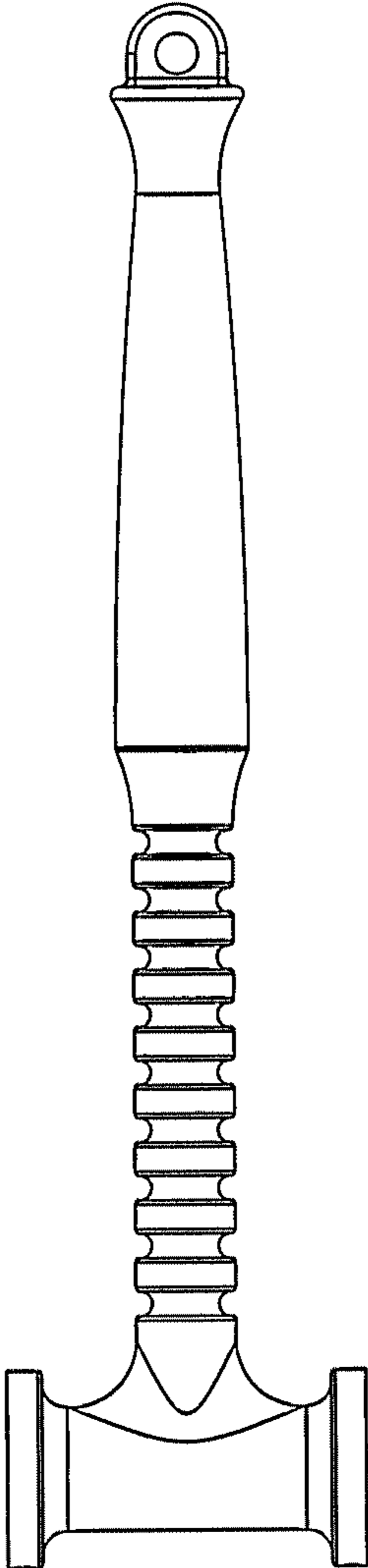


FIG 2

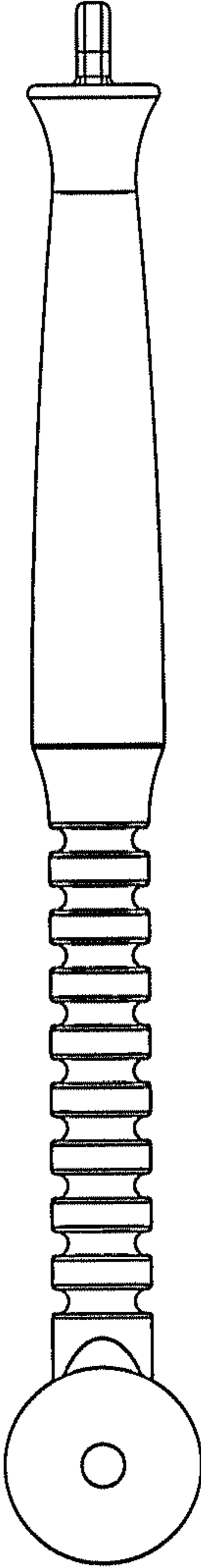


FIG 3



FIG 4

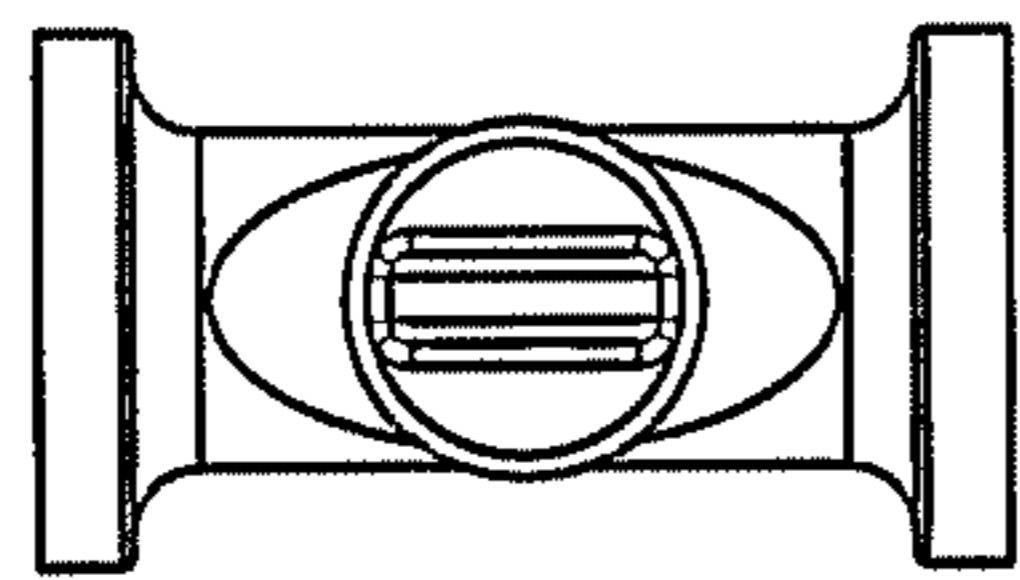


FIG 5

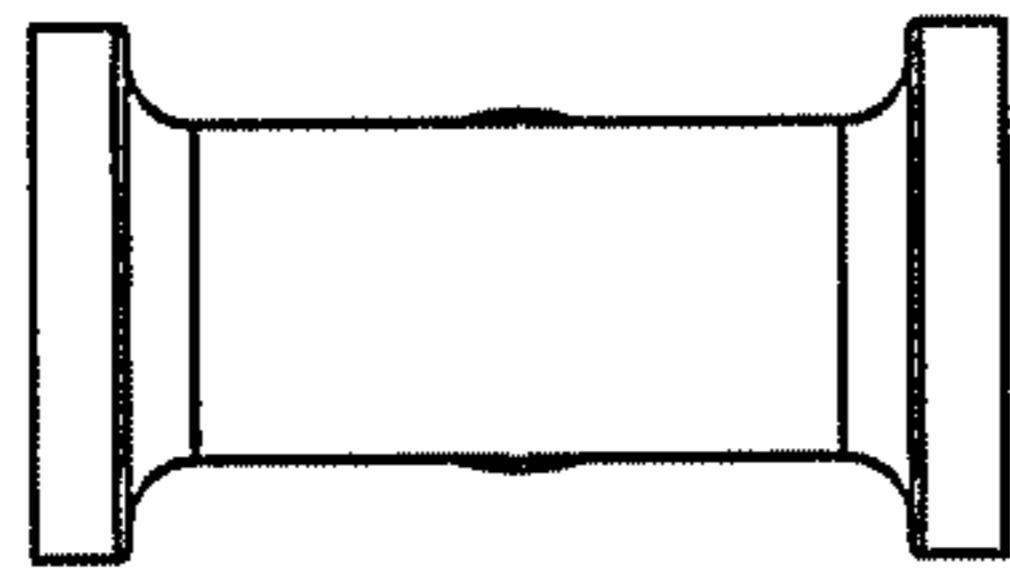


FIG 6

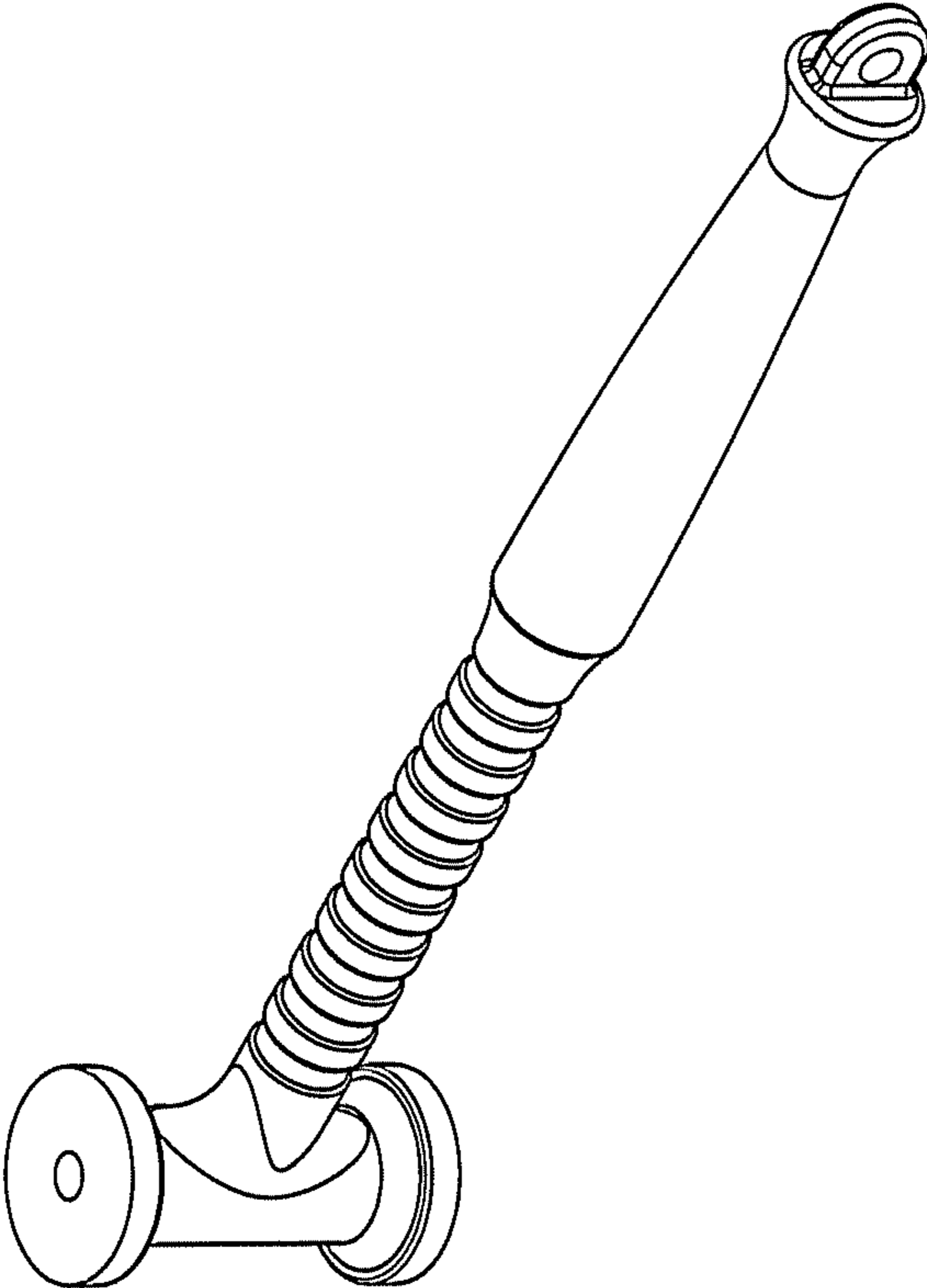


FIG 7